



US00D403332S

United States Patent [19]

Allen

[11] **Patent Number: Des. 403,332**

[45] **Date of Patent: **Dec. 29, 1998**

[54] **VENTILATED QUICK ACCESS SUPPORT HOOD SYSTEM FOR RIDING TROWELS**

[75] Inventor: **J. Dewayne Allen**, Paragould, Ark.

[73] Assignee: **Allen Engineering Corp.**, Paragould, Ark.

[**] Term: **14 Years**

[21] Appl. No.: **80,716**

[22] Filed: **Dec. 15, 1997**

[51] **LOC (6) Cl.** **15-04**

[52] **U.S. Cl.** **D15/31**

[58] **Field of Search** D15/10, 28, 31;
404/85, 112; 180/69.2, 69.21, 69.22, 69.24,
69.25

[56] **References Cited**

U.S. PATENT DOCUMENTS

D. 263,303	3/1982	Allshouse et al.	D15/28
D. 323,510	1/1992	Allen et al.	D15/10
D. 344,736	3/1994	Allen et al.	D15/10
3,936,212	2/1976	Holtz, Sr. et al.	404/112
4,046,484	9/1977	Holts, Sr. et al.	404/112
4,312,603	1/1982	Whiteman, Jr.	404/112
4,335,797	6/1982	Simmons	180/69.24
4,556,339	12/1985	Morrison	404/112
4,676,691	7/1987	Morrison	404/112
4,710,055	12/1987	Masses et al.	404/112
5,108,220	4/1992	Allen et al.	404/112
5,337,852	8/1994	Kastner	180/69.2
5,480,257	1/1996	Allen	404/112
5,480,258	1/1996	Allen	404/112
5,613,801	3/1997	Allen	404/112

5,685,667 11/1997 Allen 404/112

Primary Examiner—Sandra L. Morris
Attorney, Agent, or Firm—Stephen D. Carver

[57] **CLAIM**

The ornamental design for a ventilated, quick access support hood system for riding trowels, as shown.

DESCRIPTION

FIG. 1 is a front isometric view of a first end of my ventilated, quick access support hood system for riding trowels;

FIG. 2 is a rear isometric view thereof;

FIG. 3 is a side elevational view taken from the front of FIG. 1;

FIG. 4 is a side elevational view taken from the rear of FIG. 1;

FIG. 5 is a right side elevational view thereof;

FIG. 6 is a top plan view thereof;

FIG. 7 is a left side elevational view thereof;

FIG. 8 is a bottom plan view thereof;

FIG. 9 is a front isometric view of an opposite end of my ventilated, quick access support hood system for riding trowels;

FIG. 10 is a rear isometric view thereof;

FIG. 11 is a side elevational view taken from the front of FIG. 9;

FIG. 12 is a side elevational view taken from the rear of FIG. 9;

FIG. 13 is a left side elevational view thereof;

FIG. 14 is a top plan view thereof;

FIG. 15 is a right side elevational view thereof; and,

FIG. 16 is a bottom plan view thereof.

1 Claim, 6 Drawing Sheets

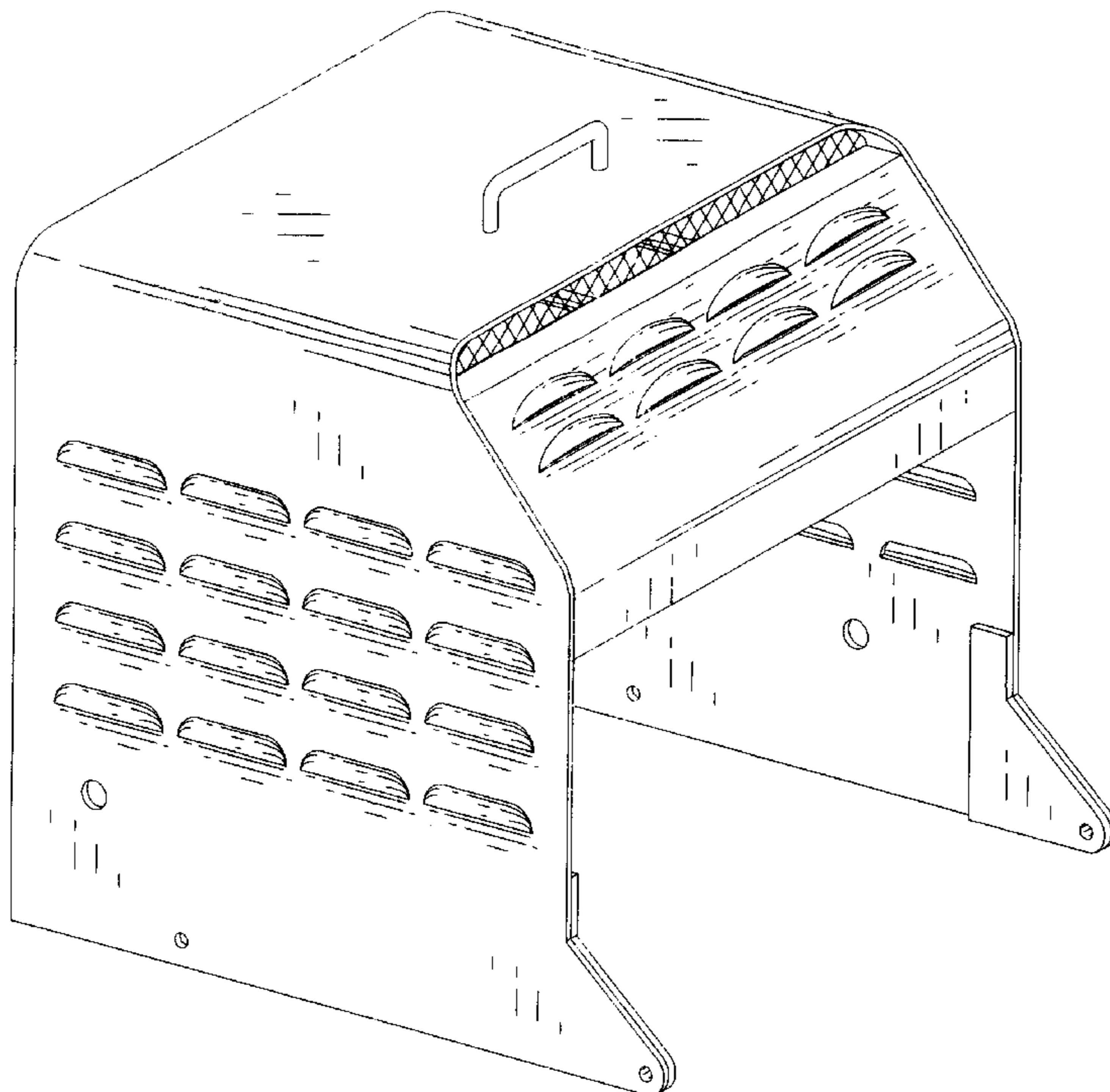


FIG. 1

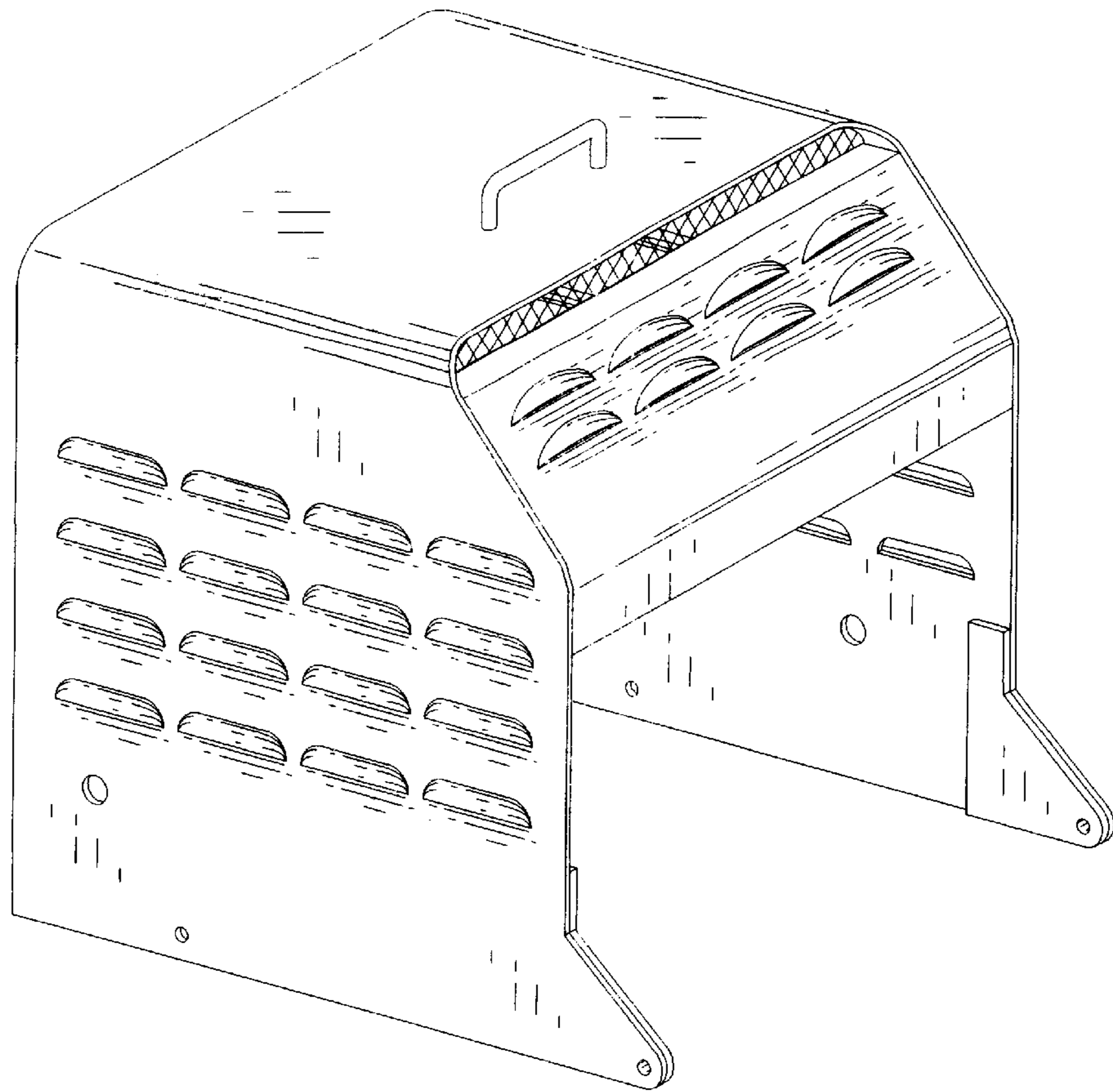


FIG. 2

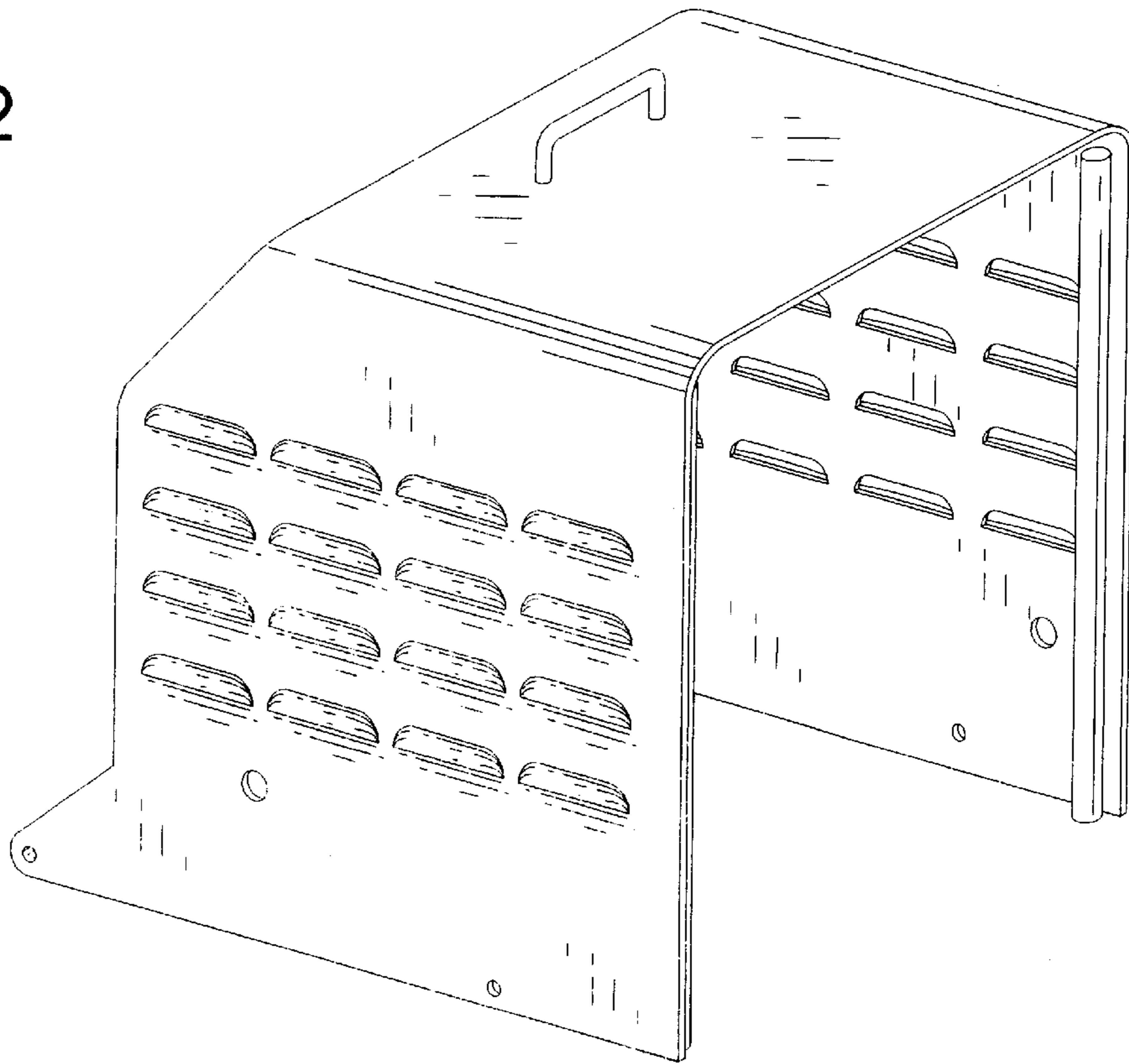


FIG. 3

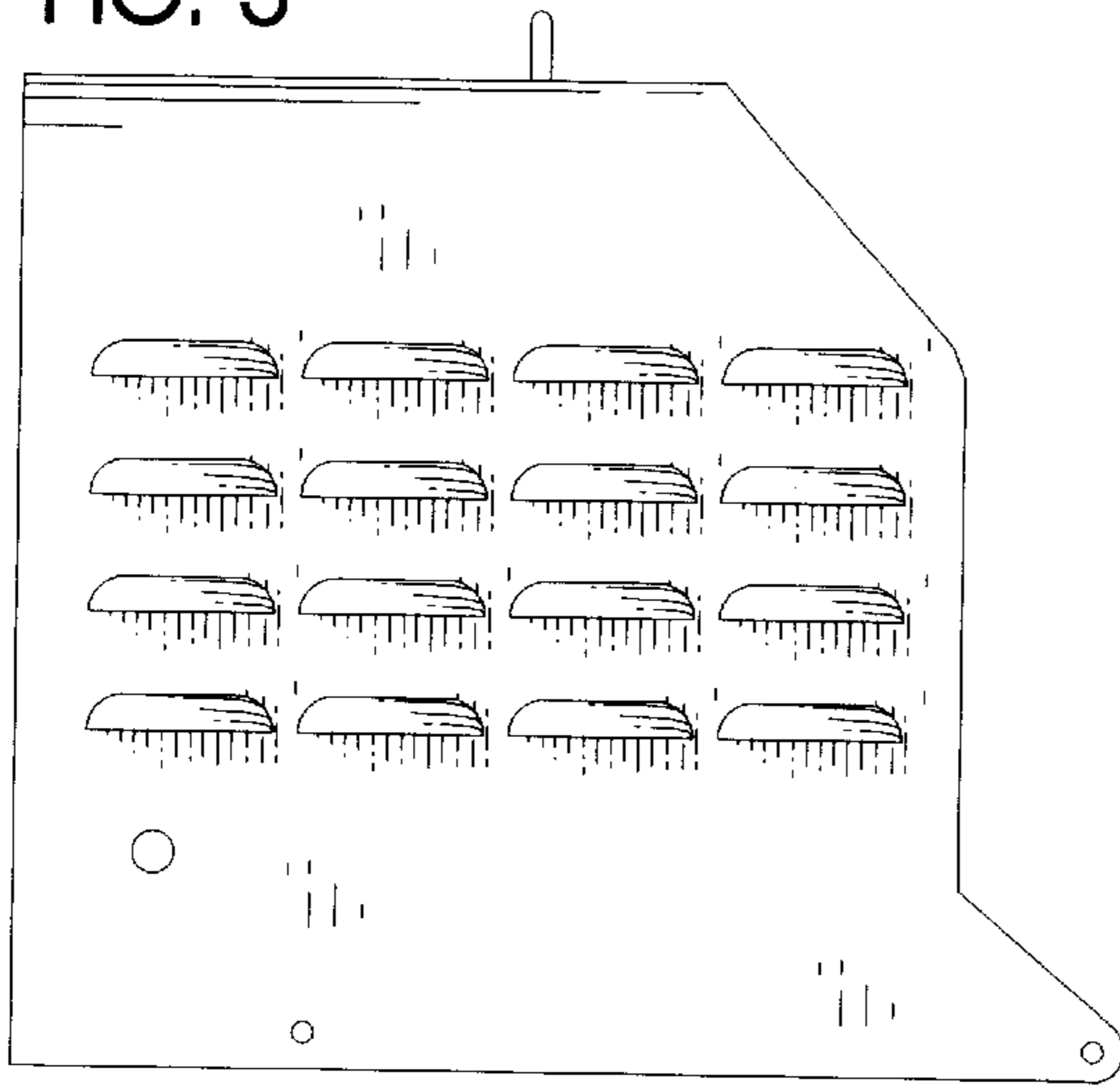


FIG. 4

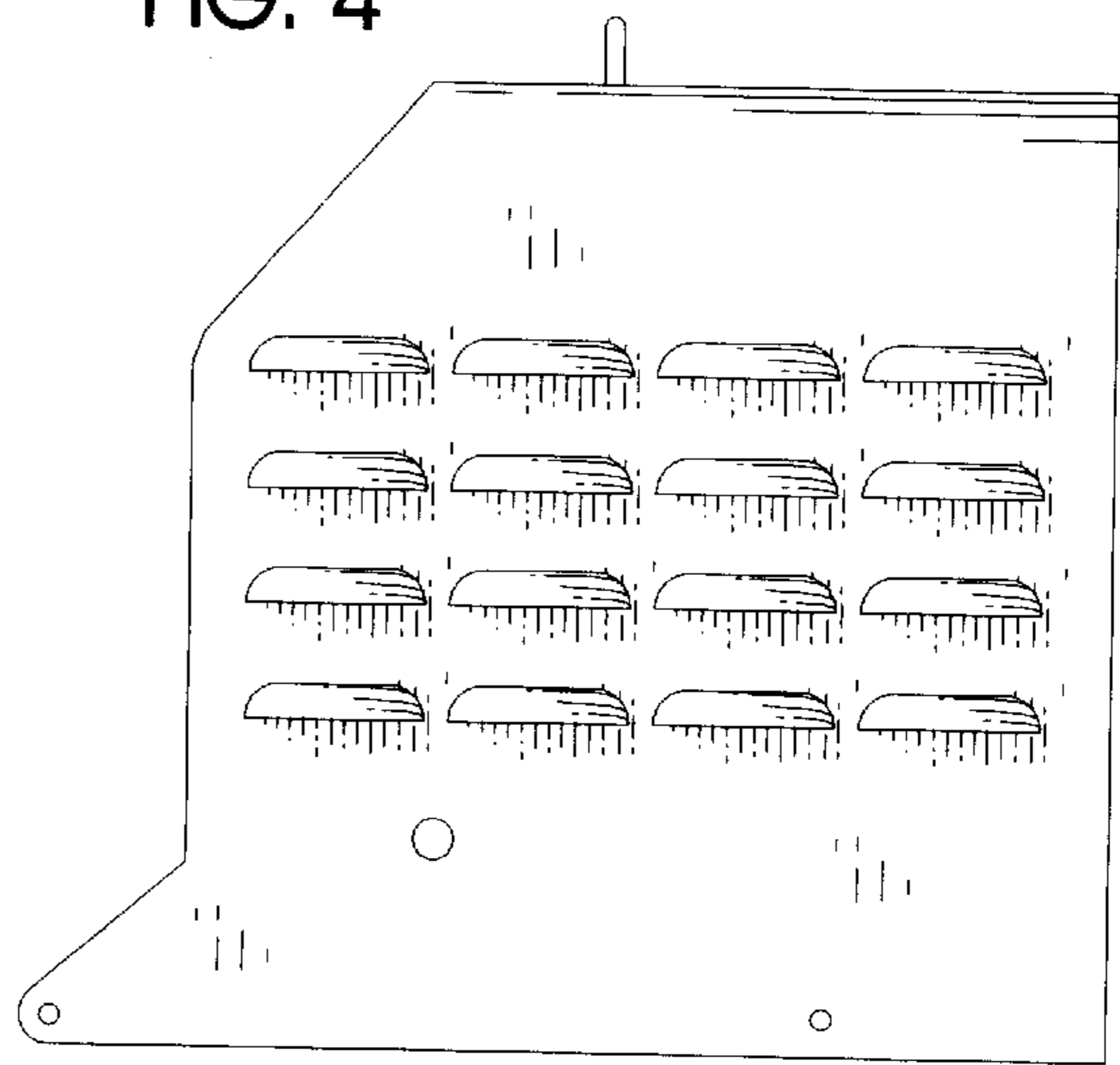


FIG. 5

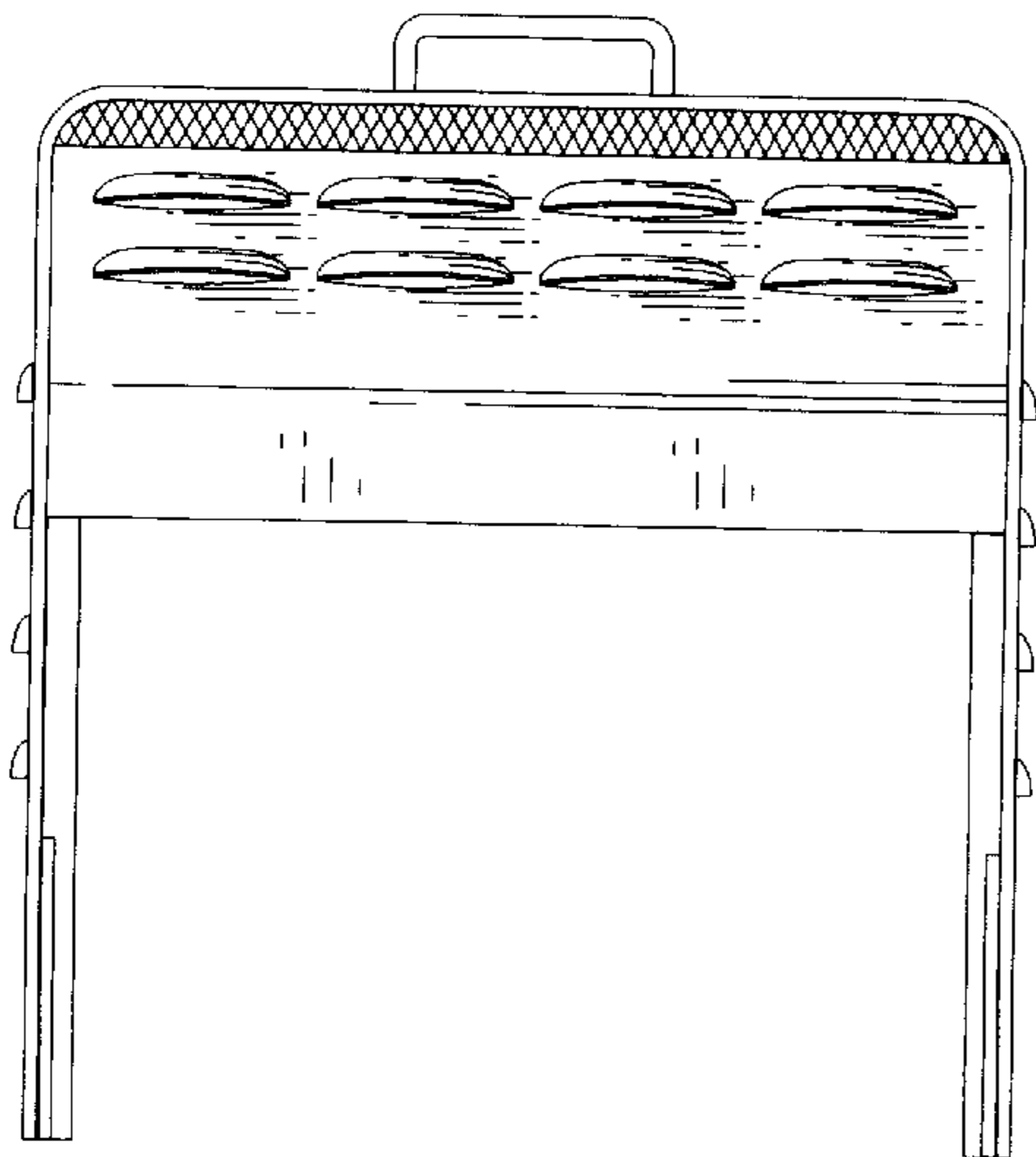


FIG. 6

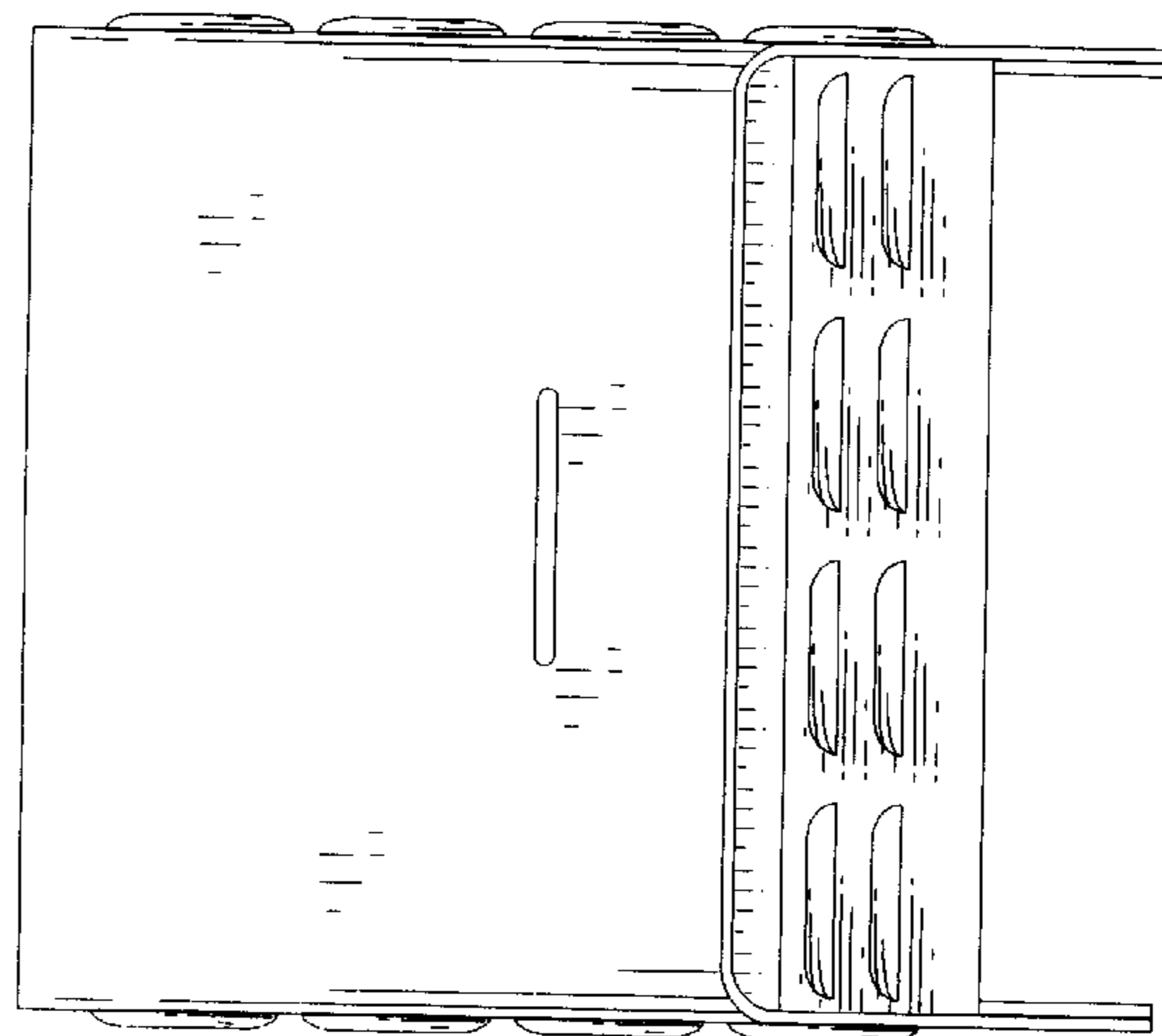


FIG. 7

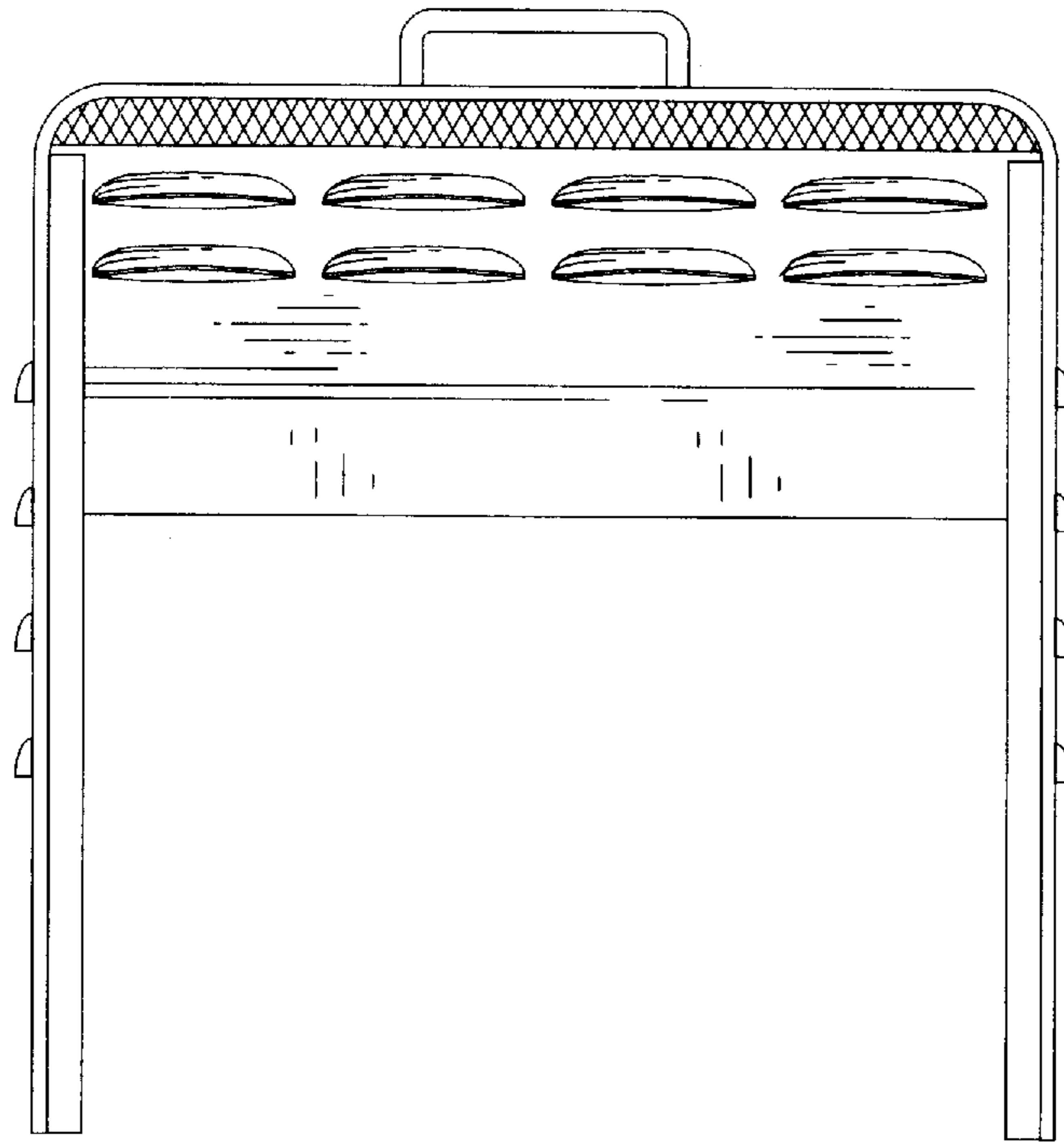


FIG. 8

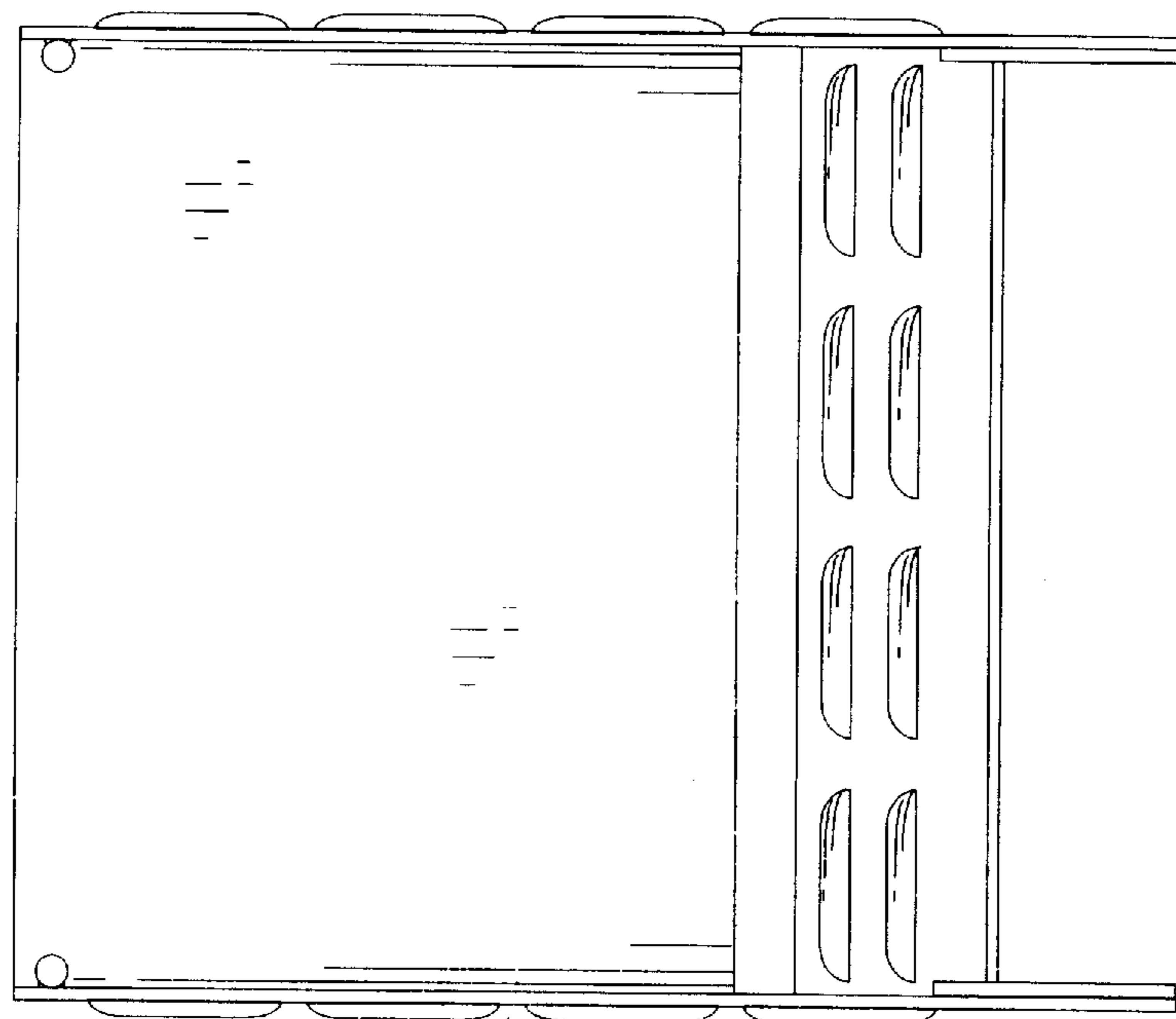


FIG. 9

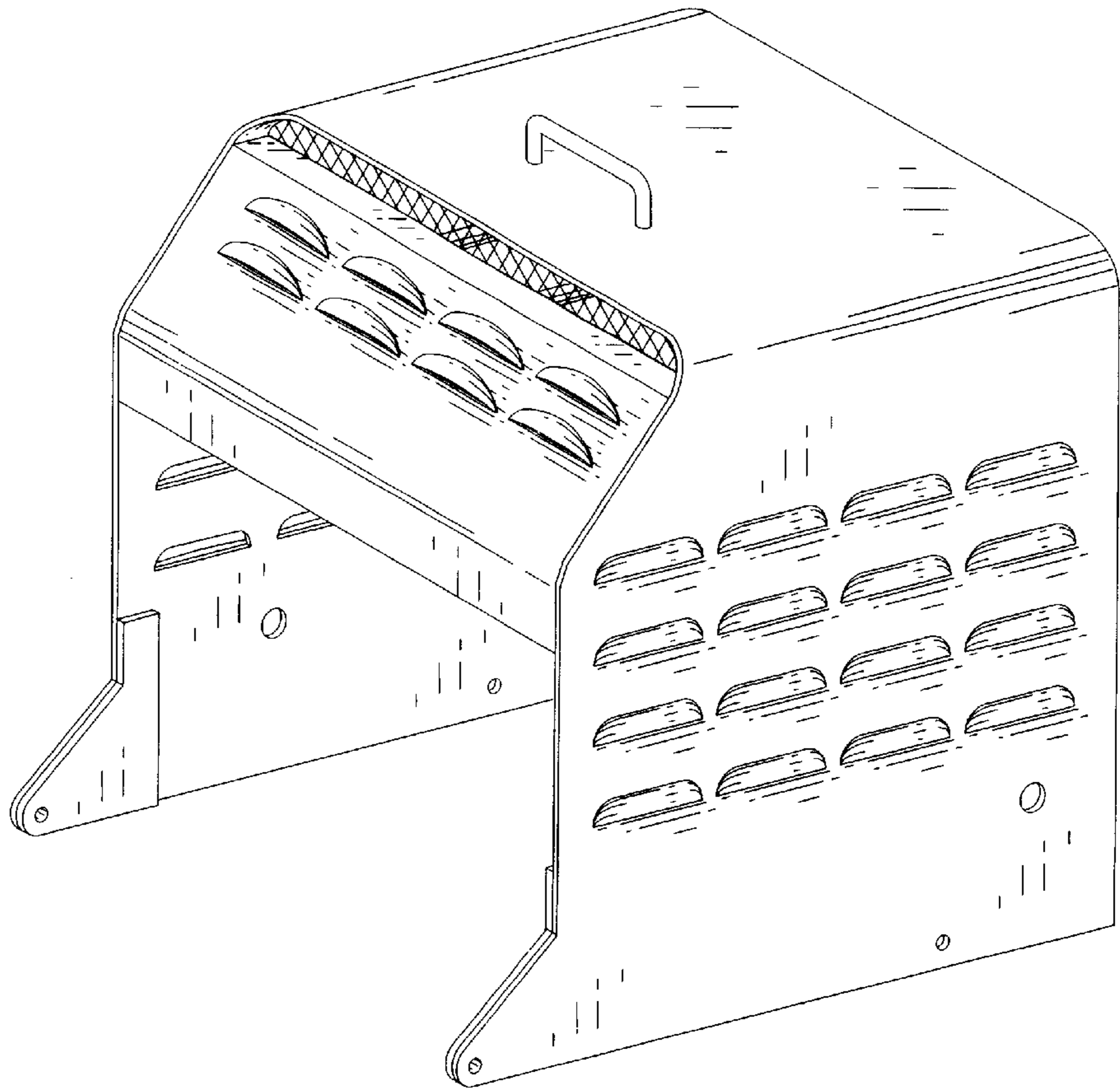


FIG. 10

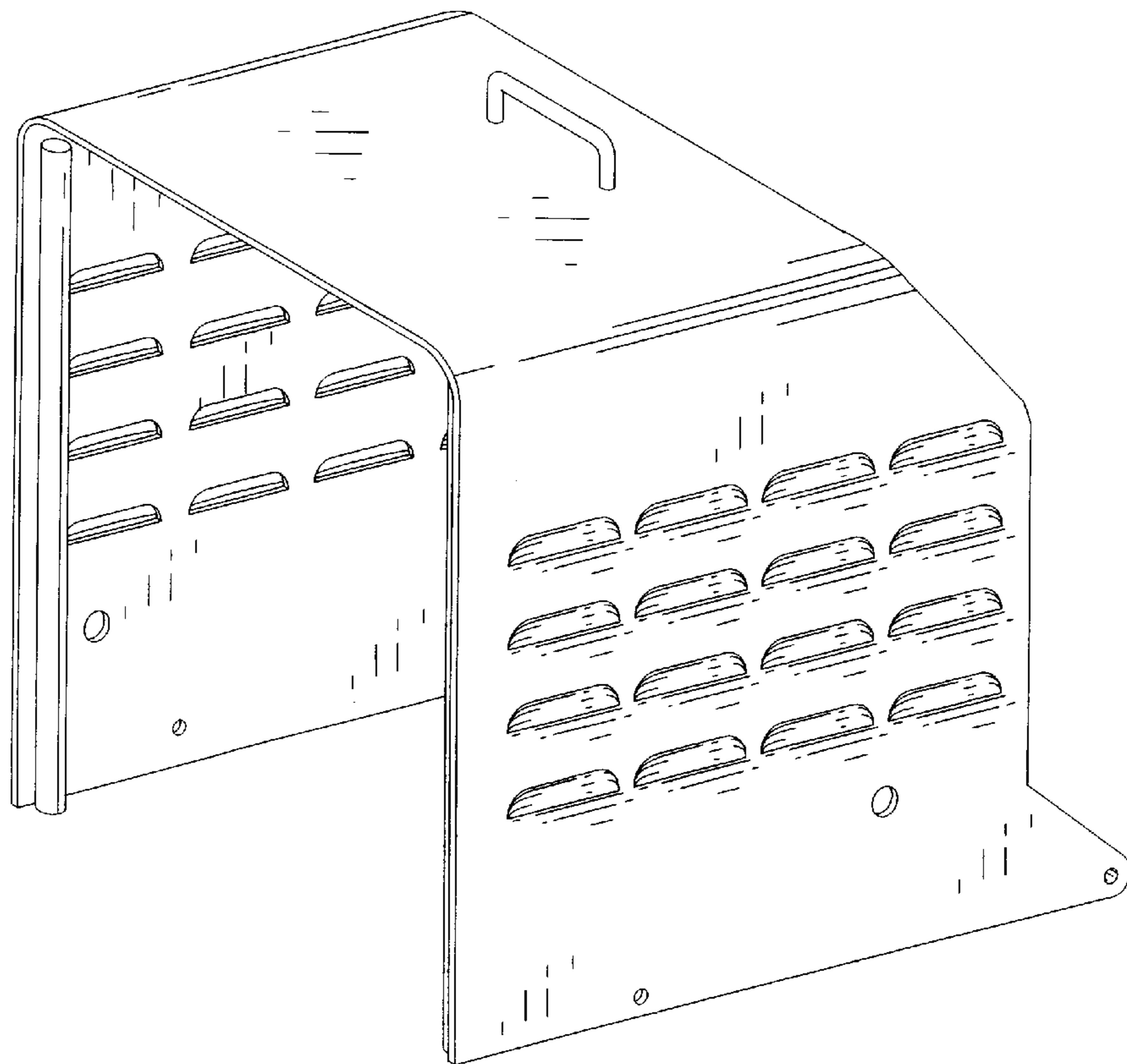


FIG. 11

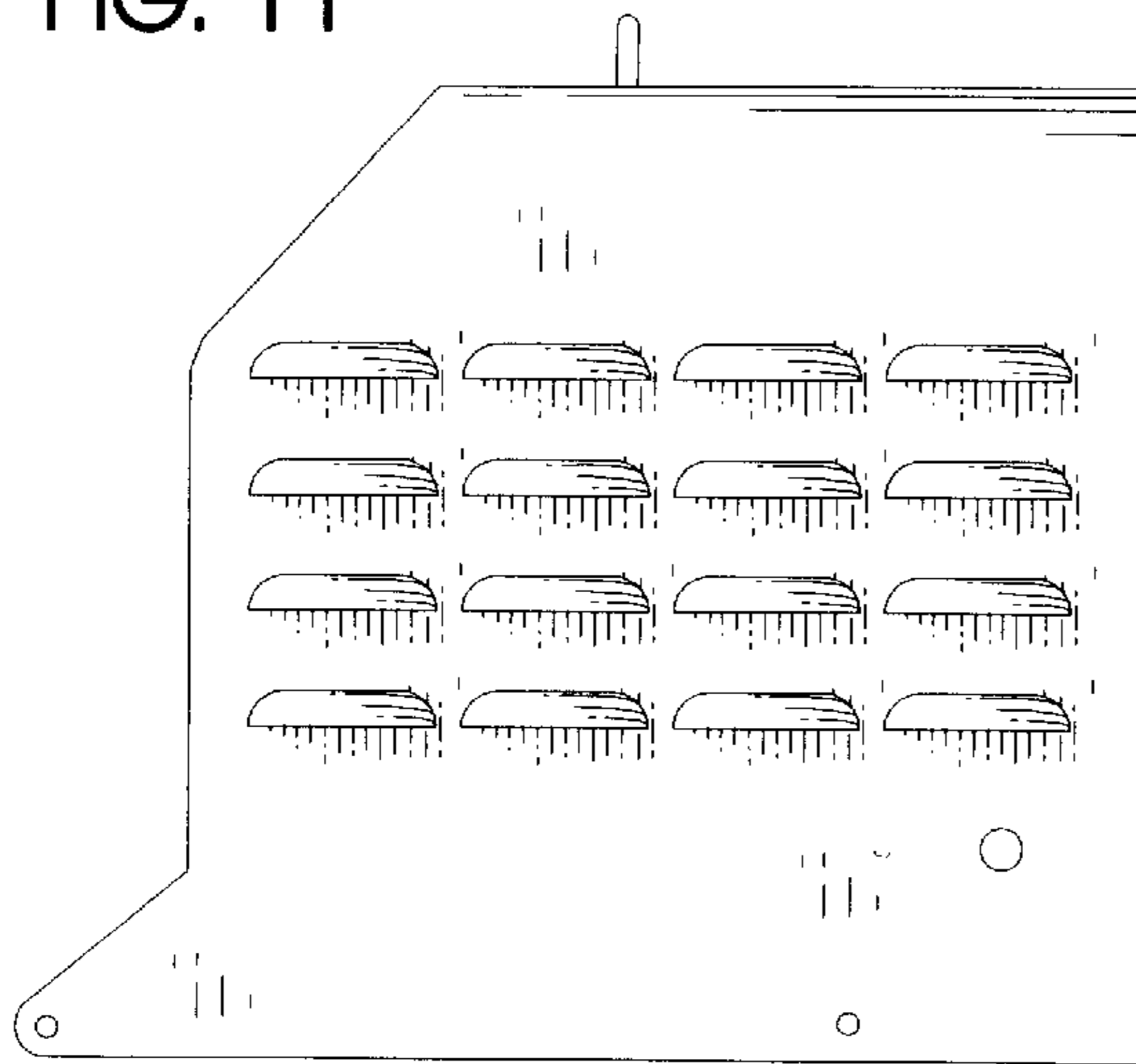


FIG. 12

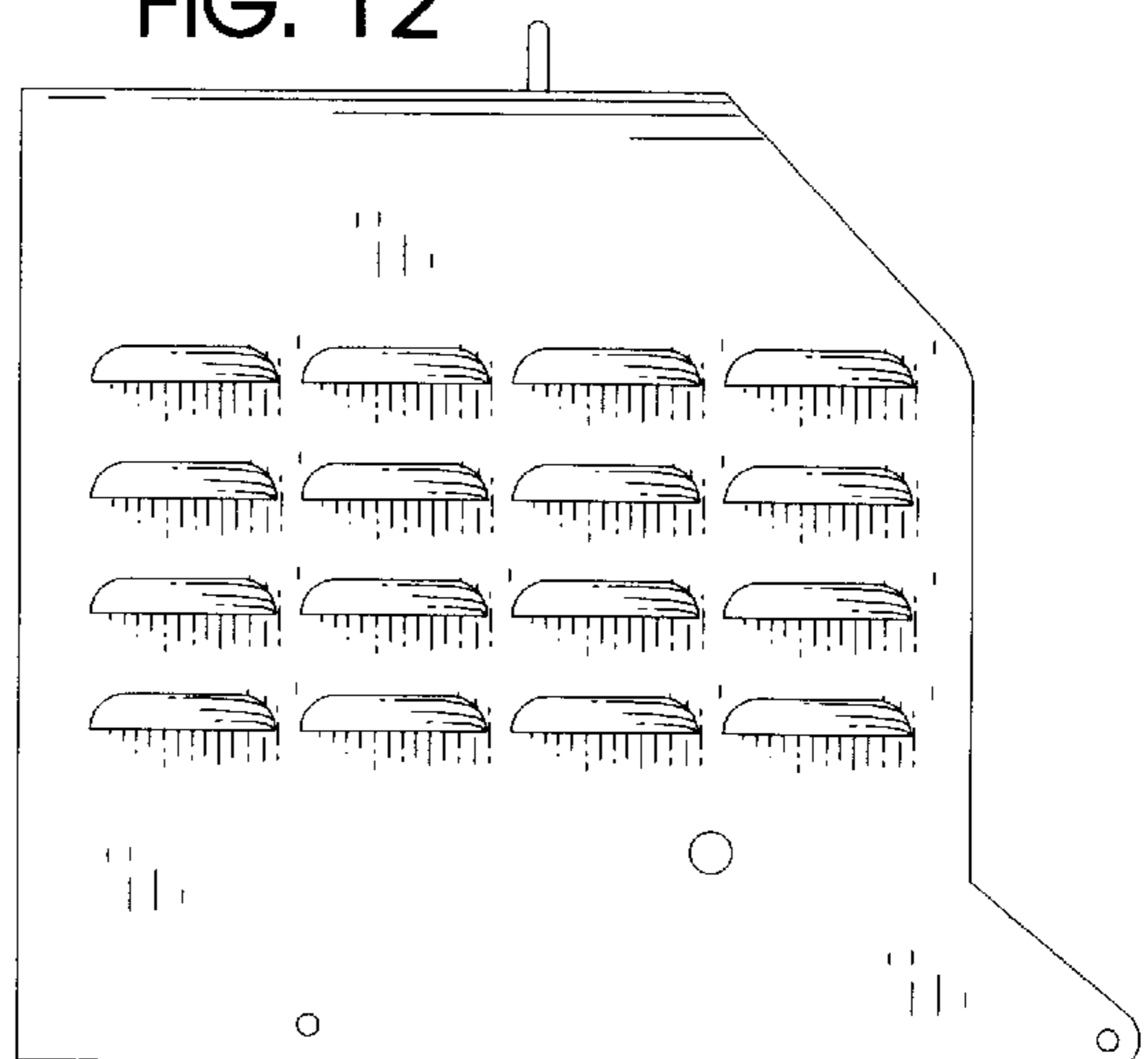


FIG. 13

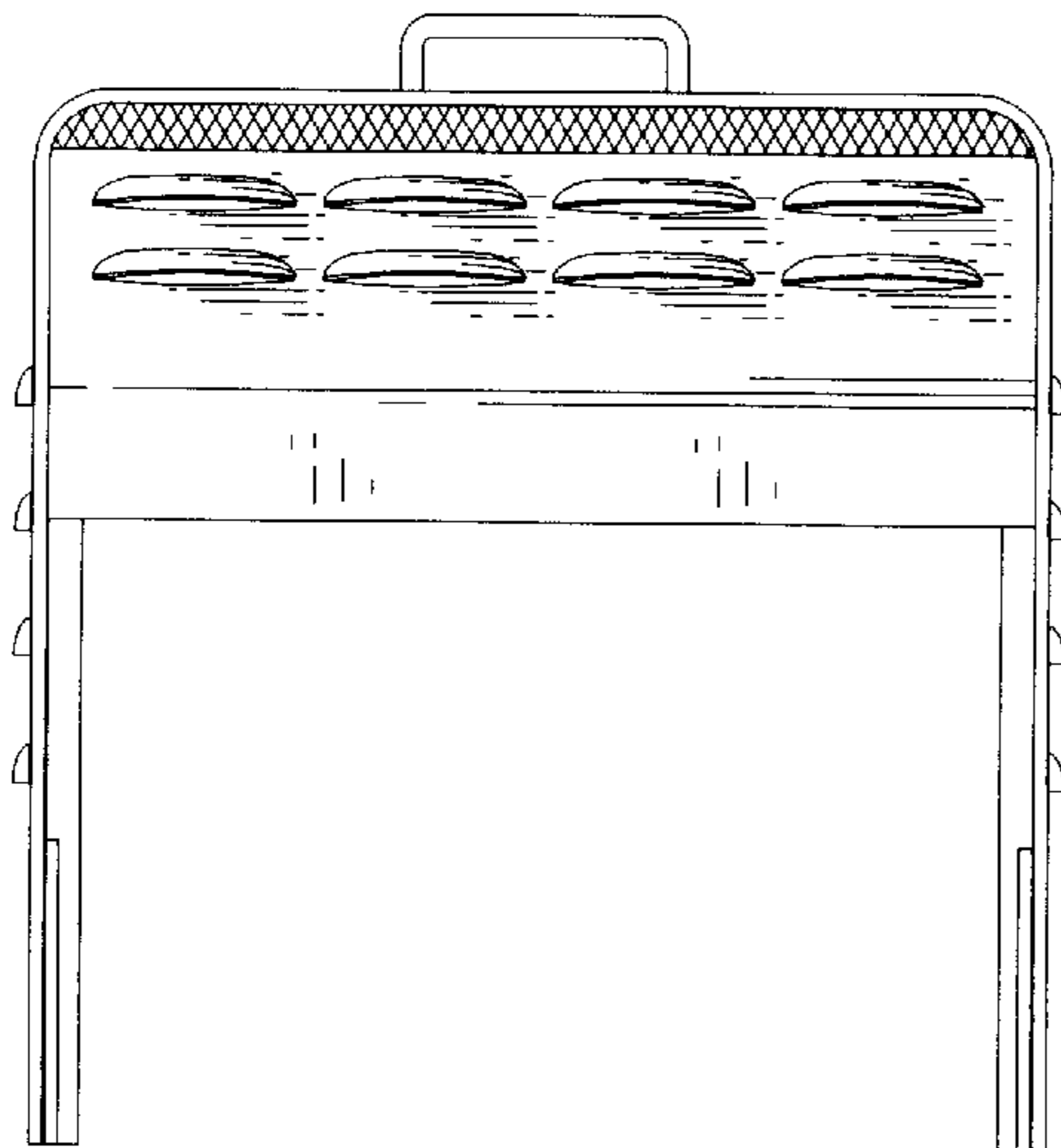


FIG. 14

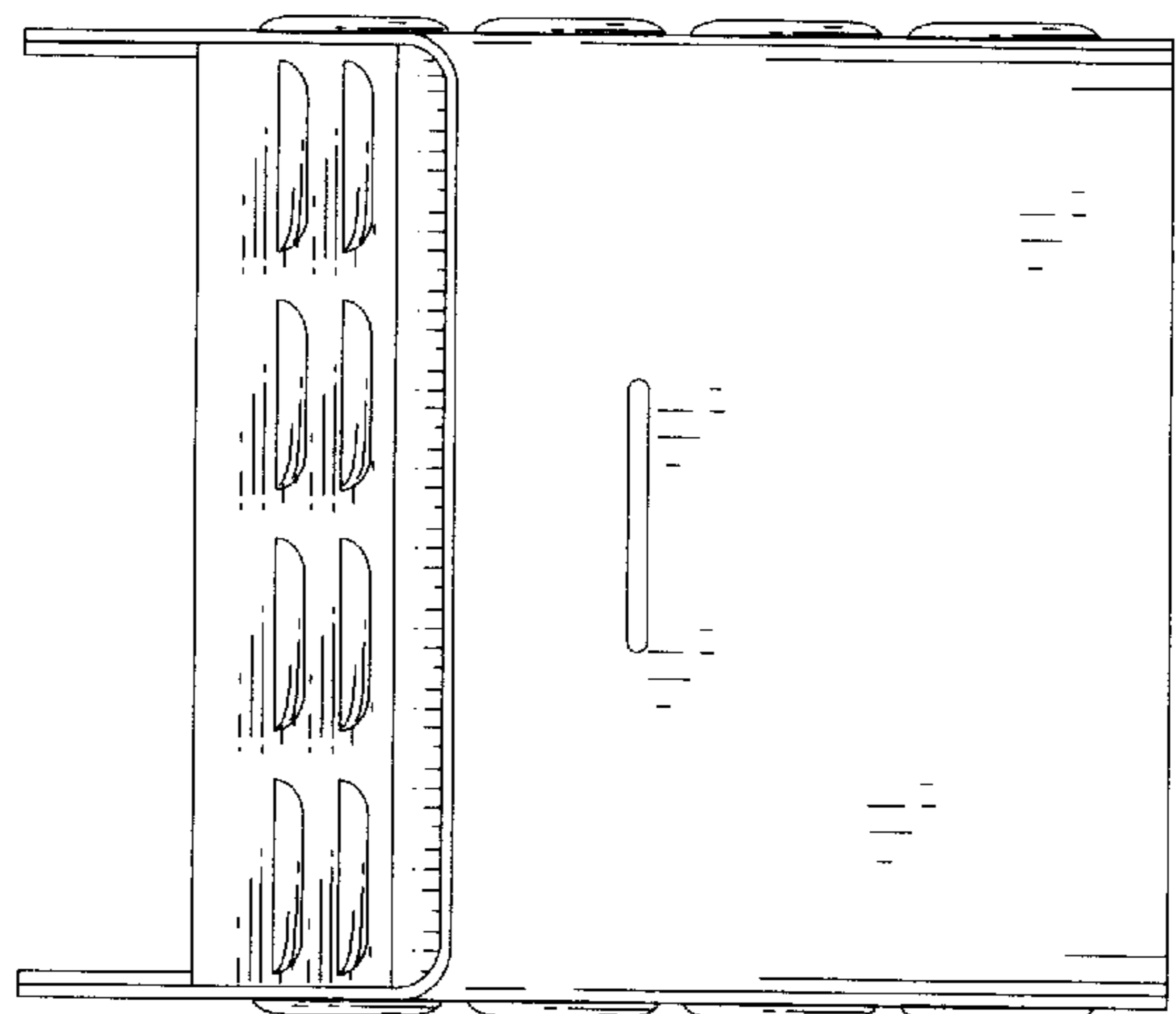


FIG. 15

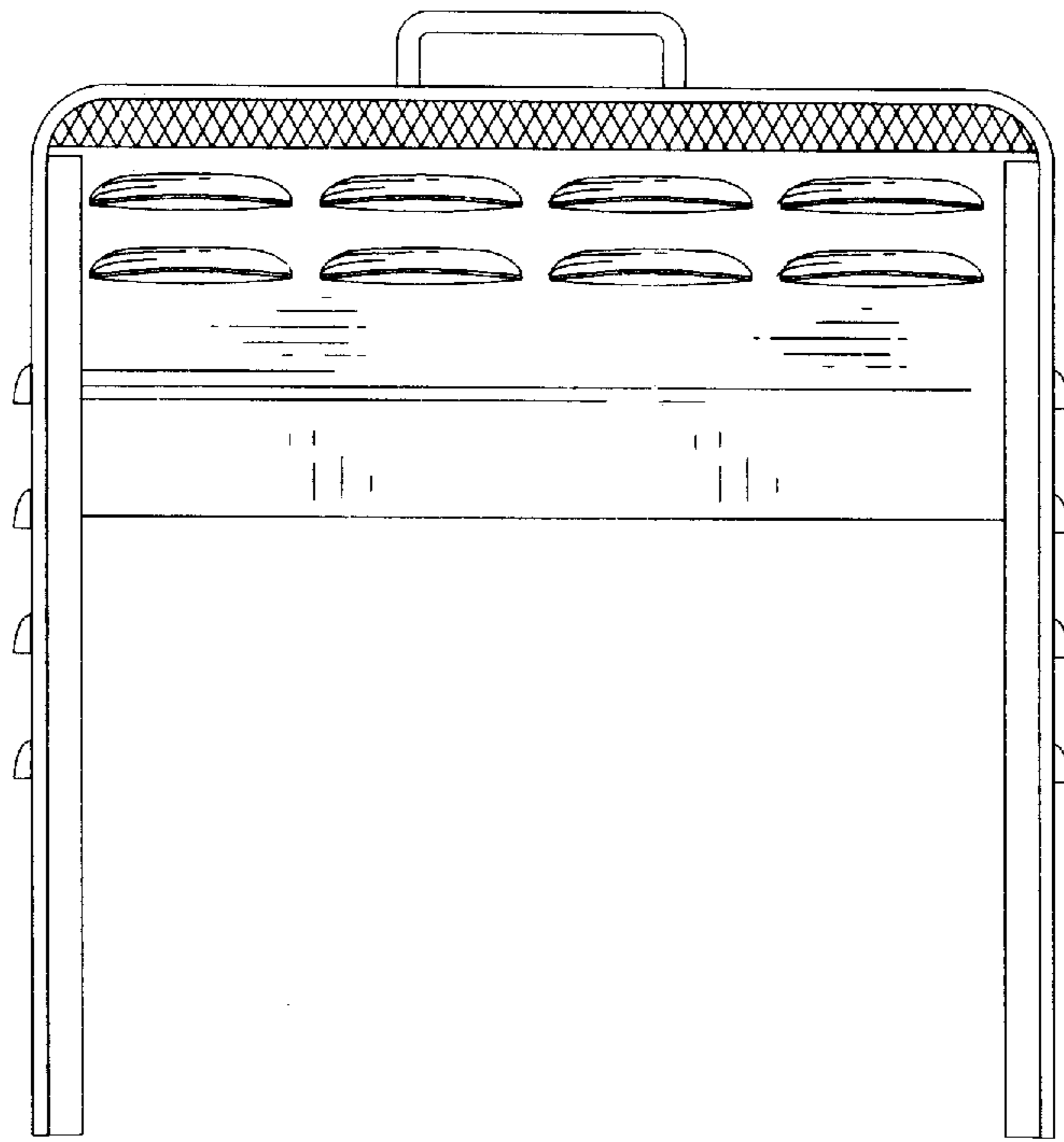


FIG. 16

