



US00D403330S

United States Patent [19]
Williams

[11] **Patent Number: Des. 403,330**

[45] **Date of Patent: **Dec. 29, 1998**

[54] **AIR COMPRESSOR**

[75] Inventor: **Kevin Williams**, Brooklyn, N.Y.

[73] Assignee: **Interdynamics, Inc.**, Brooklyn, N.Y.

[**] Term: **14 Years**

[21] Appl. No.: **78,717**

[22] Filed: **Oct. 31, 1997**

[51] **LOC (6) Cl. 12-02**

[52] **U.S. Cl. D15/9**

[58] **Field of Search D11/7, 8, 9; 417/231,
417/234; D26/38**

[56] **References Cited**

U.S. PATENT DOCUMENTS

D. 328,305	7/1992	Wong	D15/9
D. 340,458	10/1993	Wang	D15/7
D. 340,726	10/1993	Wang	D15/7
D. 352,295	11/1994	Morgan	D15/9
D. 374,237	10/1996	Wang	D15/7
D. 375,505	11/1996	Wong	D15/9

Primary Examiner—Ralf Seifert
Attorney, Agent, or Firm—Levisohn, Lerner, Berger & Langsam

[57] **CLAIM**

The air compressor, as shown and described in the drawings.

DESCRIPTION

FIG. 1 is a perspective view of the air compressor of this invention;

FIG. 2 is a right side view of the air compressor of this invention;

FIG. 3 is a top view of the air compressor of this invention;

FIG. 4 is a bottom view of the air compressor of this invention;

FIG. 5 is a rear view of the air compressor of this invention;

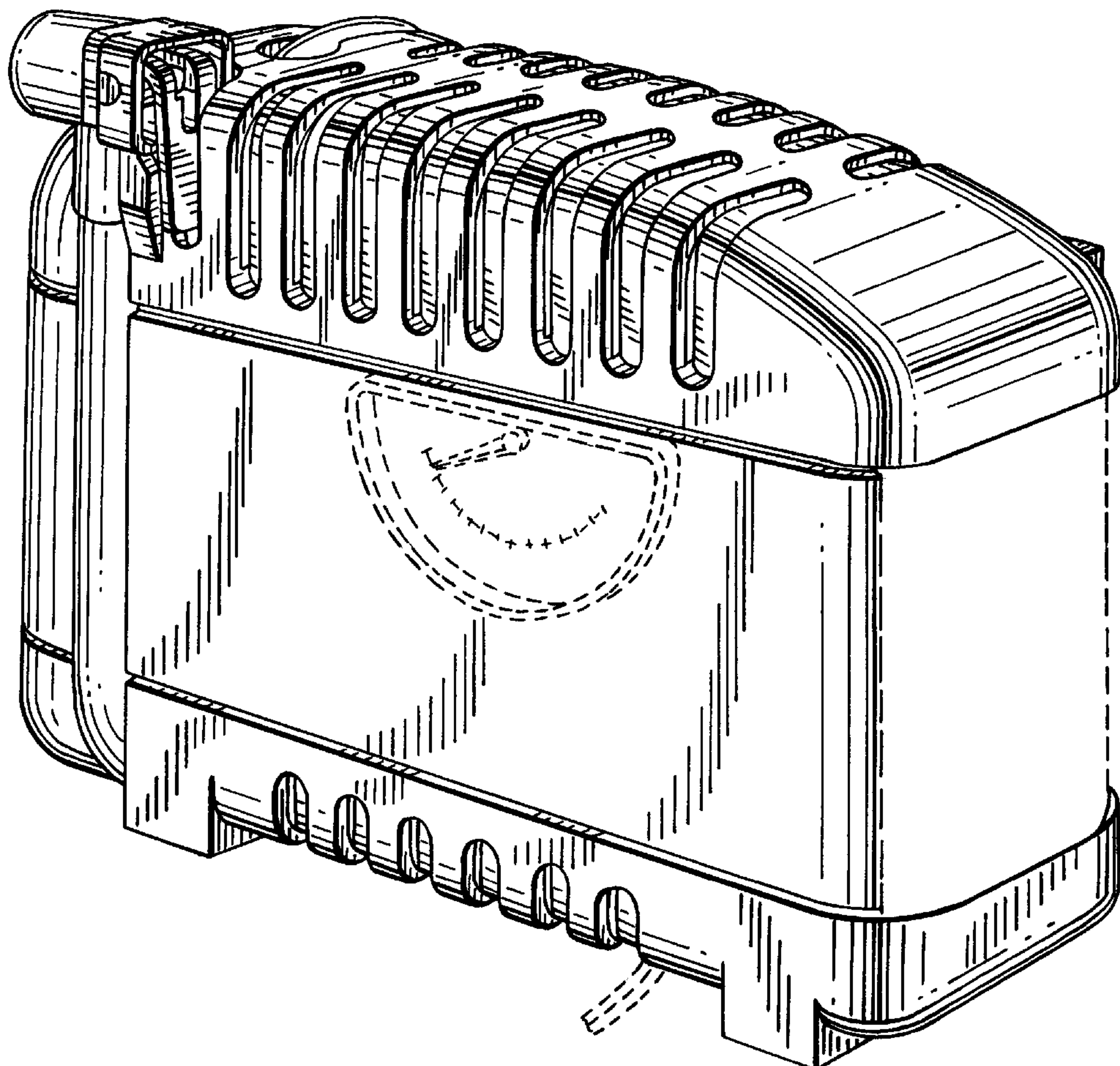
FIG. 6 is a front view of the air compressor of this invention;

FIG. 7 is a left side view of the air compressor of this invention; and,

FIG. 8 is a right side view of the air compressor of this invention with the air hose unwrapped from a groove.

The broken line showing of a light in FIGS. 1-5, 7, and 8, and of a pump, hose, and gauge in FIG. 8, is for illustrative purposes only and forms no part of the claimed design. Further, the portion of the air compressor immediately behind and obscured by the light shown in broken lines in FIGS. 1-5, 7, and 8 is also not part of the claimed design.

1 Claim, 6 Drawing Sheets



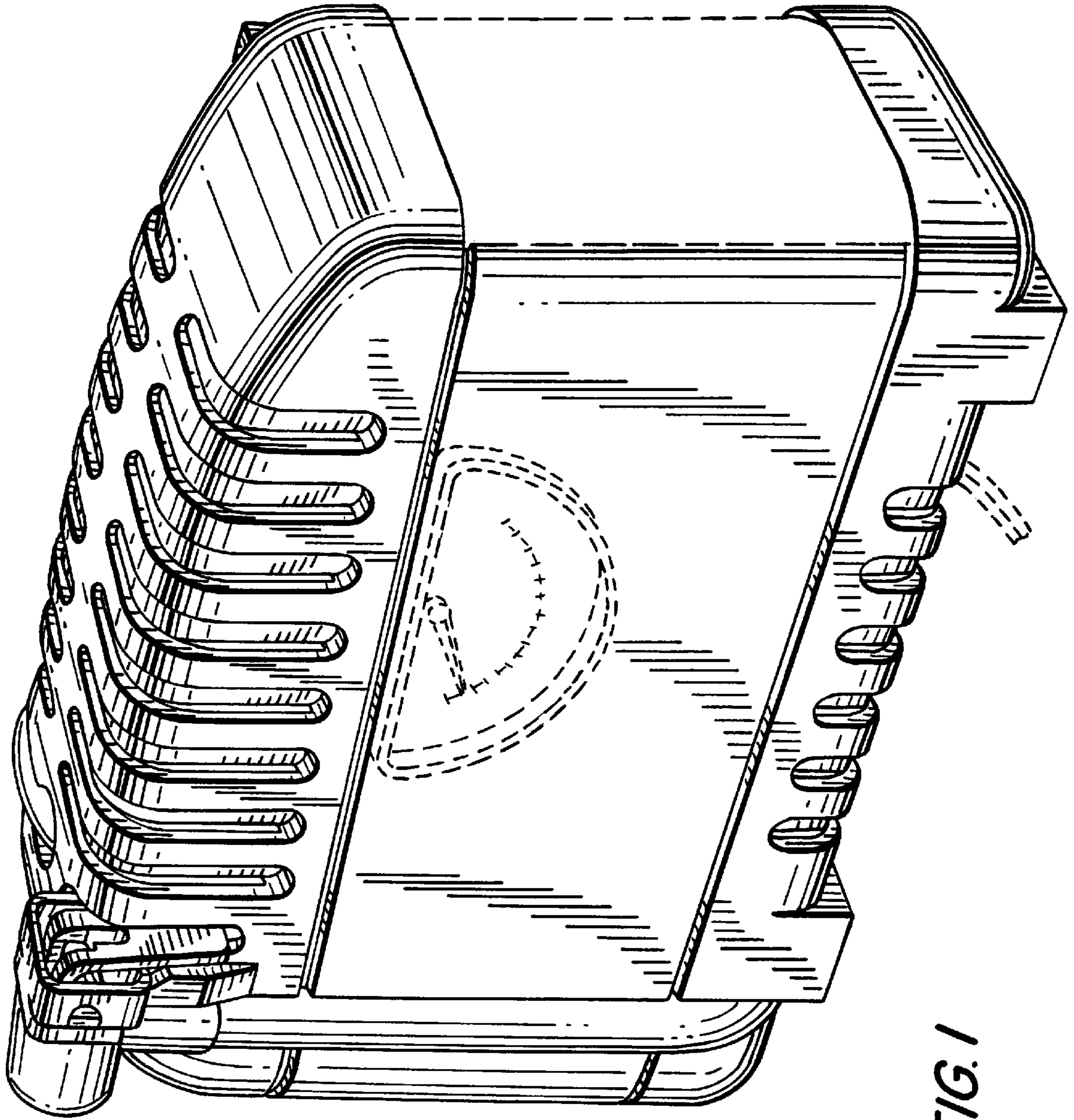


FIG. 1

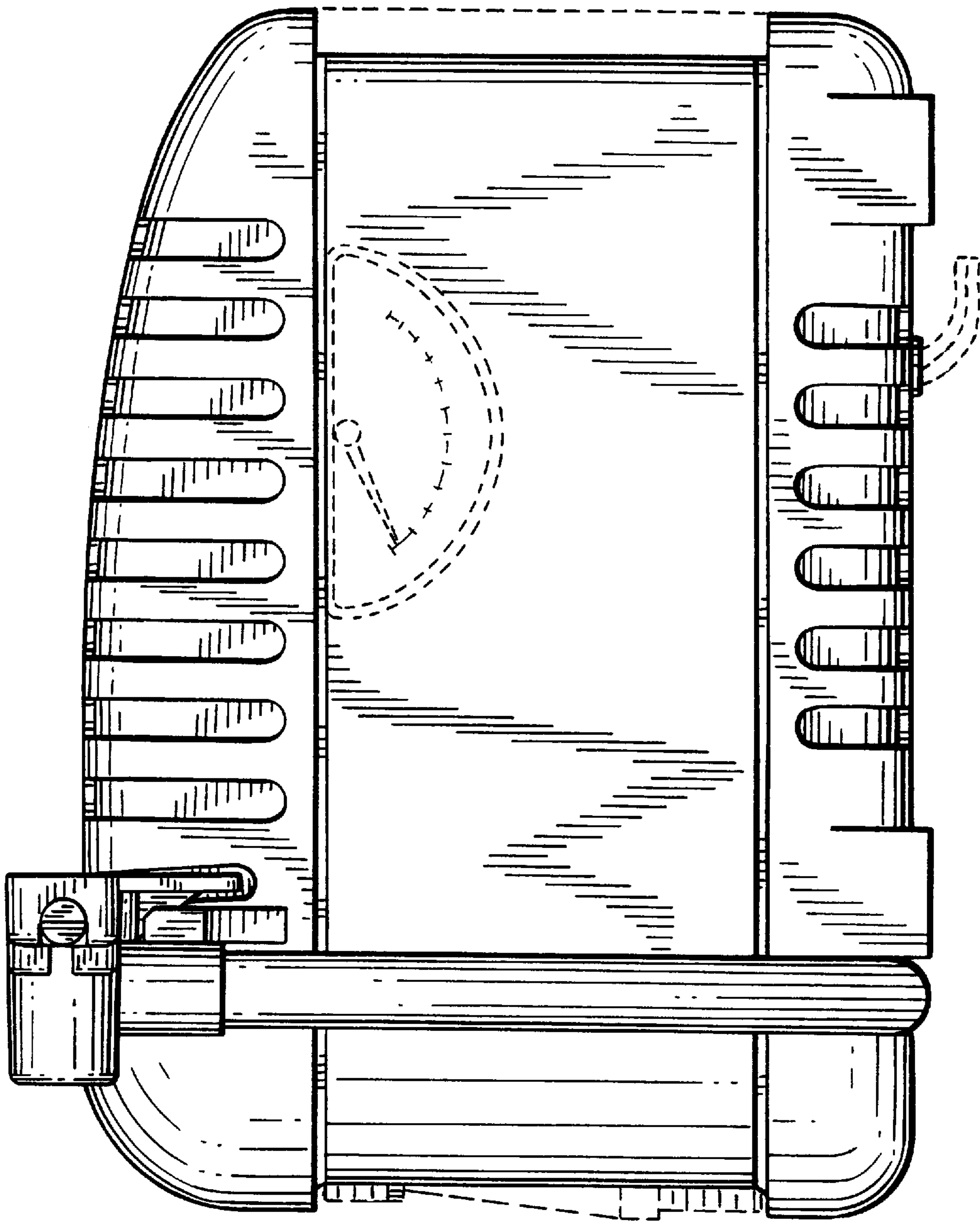


FIG. 2

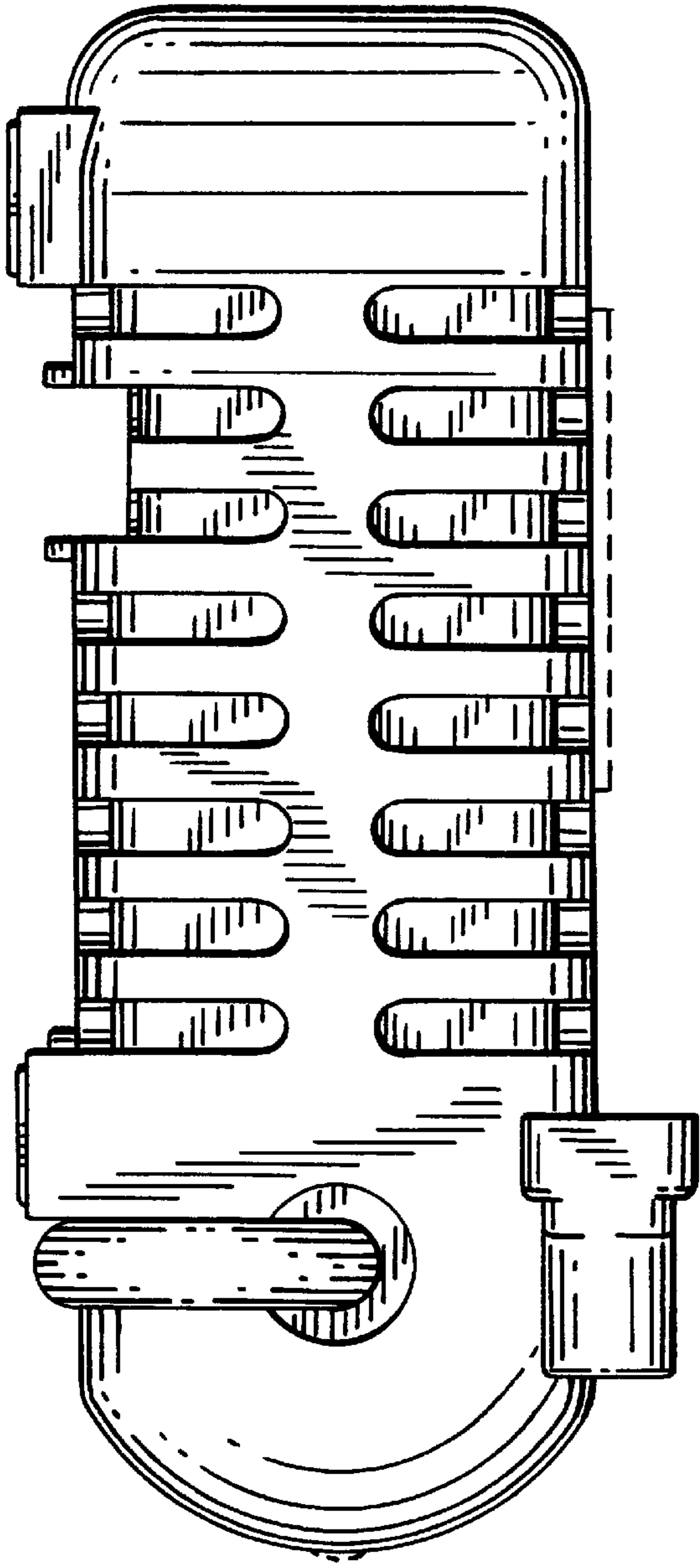


FIG. 3

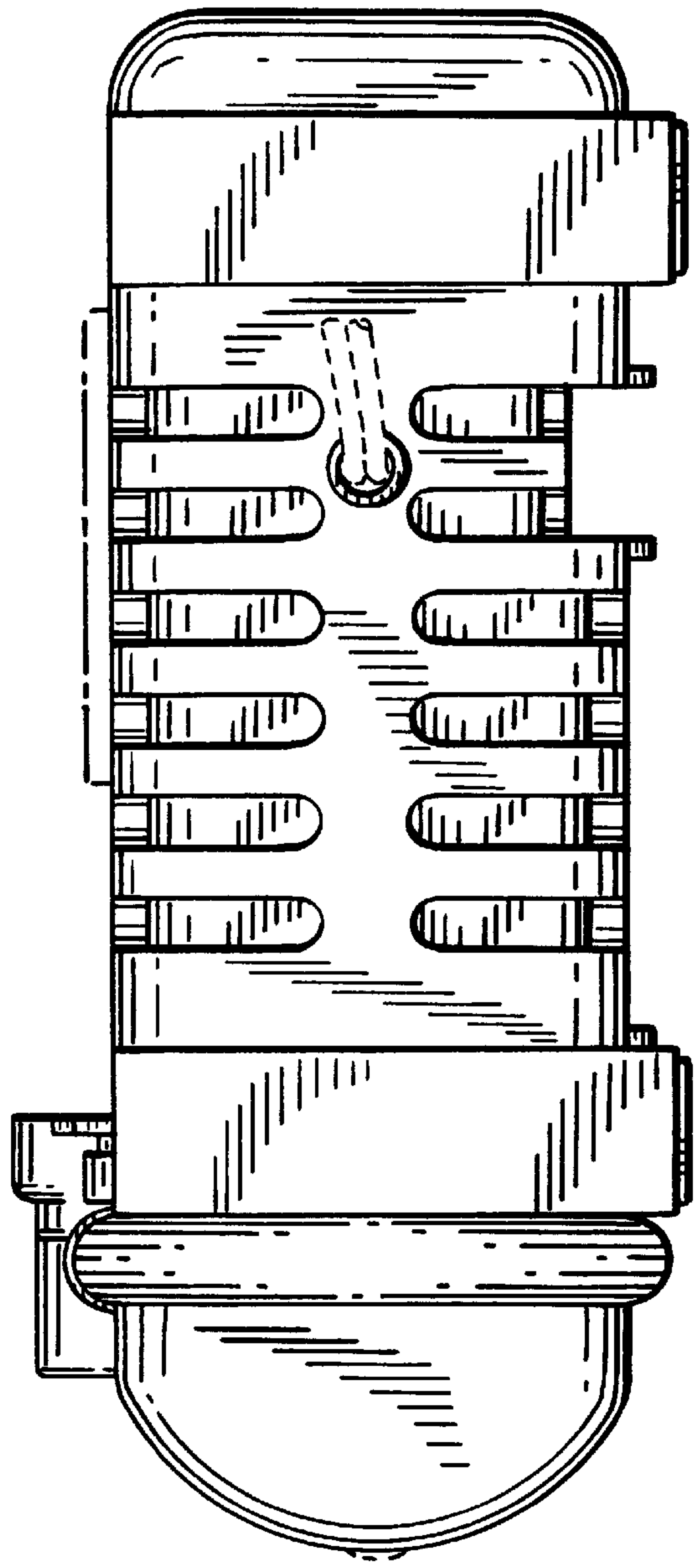


FIG. 4

FIG. 6

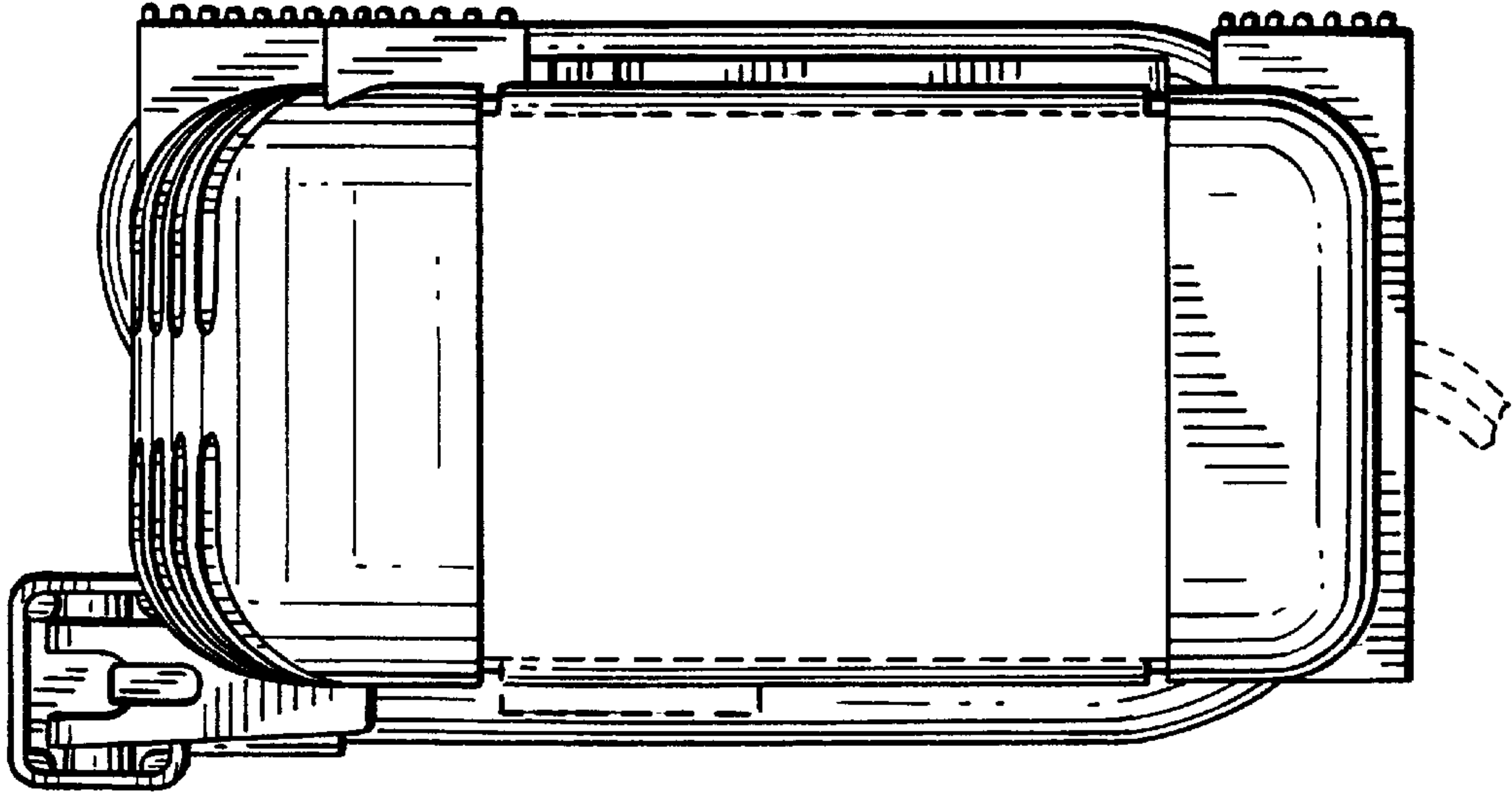
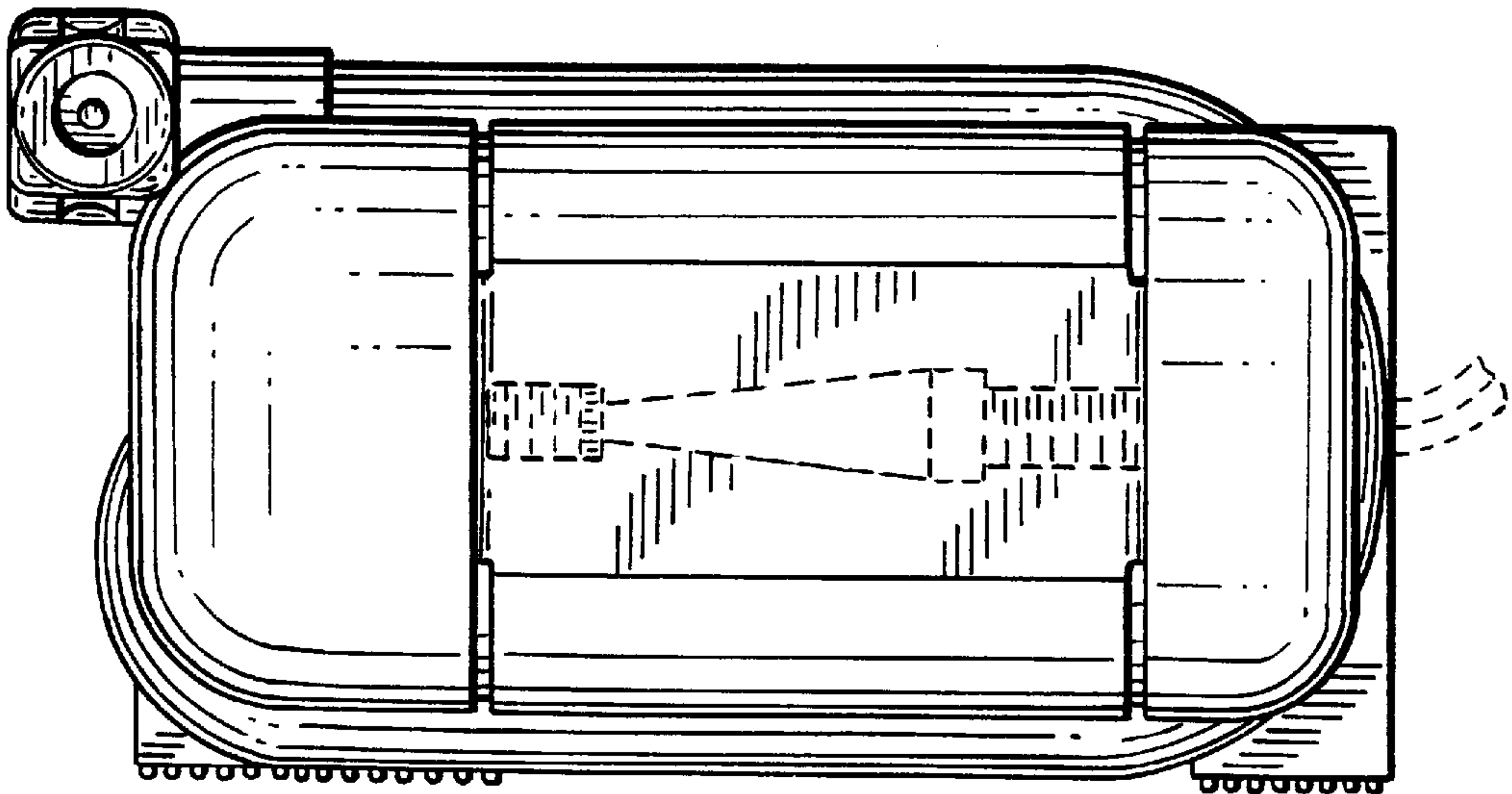


FIG. 5



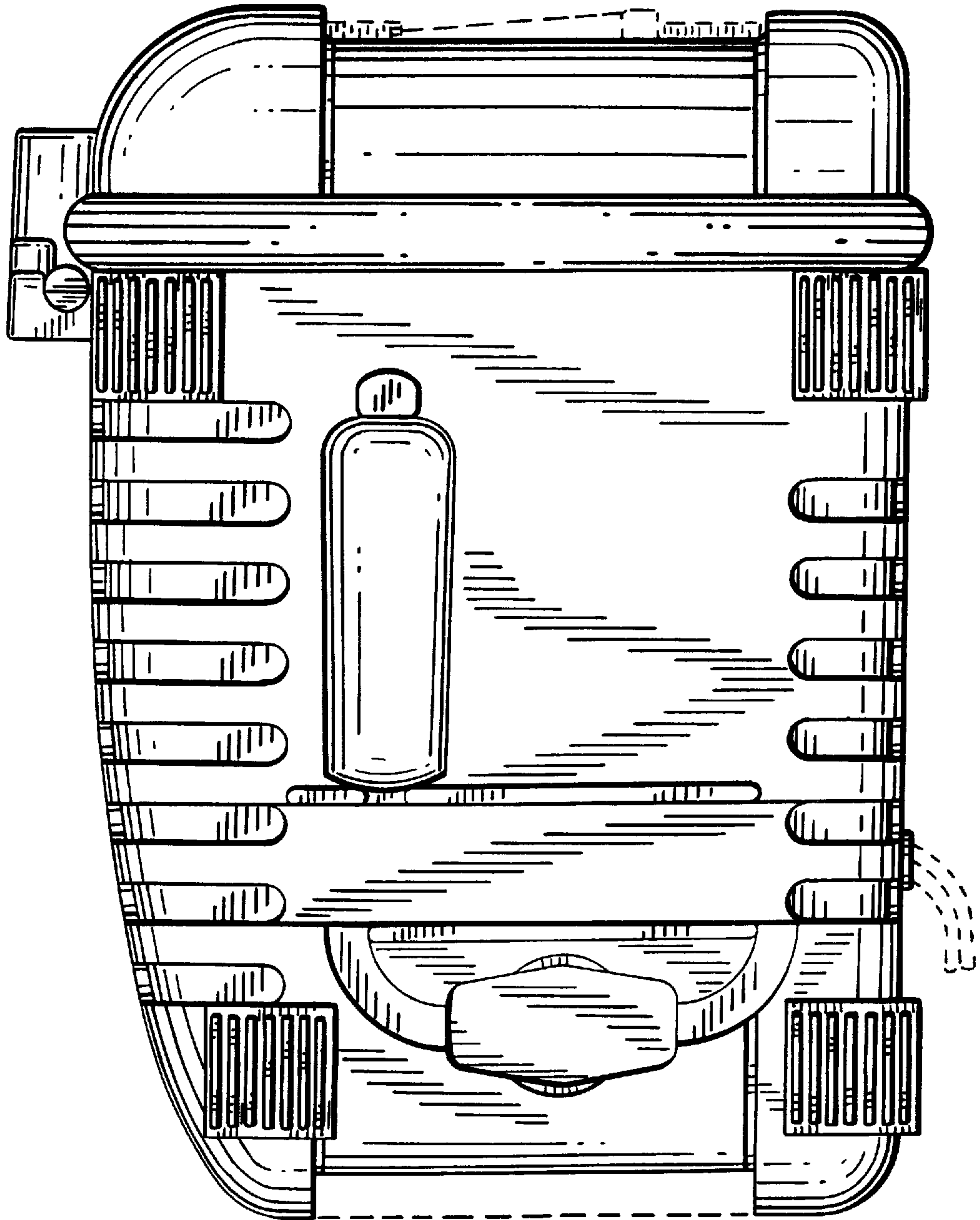


FIG. 7

FIG. 8

