



US00D403329S

United States Patent [19]

Walker et al.

[11] **Patent Number: Des. 403,329**

[45] **Date of Patent: **Dec. 29, 1998**

[54] **PUMP**

[75] Inventors: **John Miles Walker**, Grapevine;
Douglas Brent Enns, Plano, both of
Tex.

[73] Assignee: **Beckett Corporation**, Irving, Tex.

[**] Term: **14 Years**

[21] Appl. No.: **80,928**

[22] Filed: **Dec. 19, 1997**

[51] **LOC (6) Cl.** **15-02**

[52] **U.S. Cl.** **D15/7**

[58] **Field of Search** D15/7-9; 417/234,
417/360; D26/38

[56] **References Cited**

U.S. PATENT DOCUMENTS

D. 328,305 7/1992 Wong D15/9

D. 340,458 10/1993 Wong D15/7
D. 340,726 10/1993 Wong D15/7
D. 352,295 11/1994 Morgan D15/9

Primary Examiner—Ralf Seipert
Attorney, Agent, or Firm—Sidley & Austin

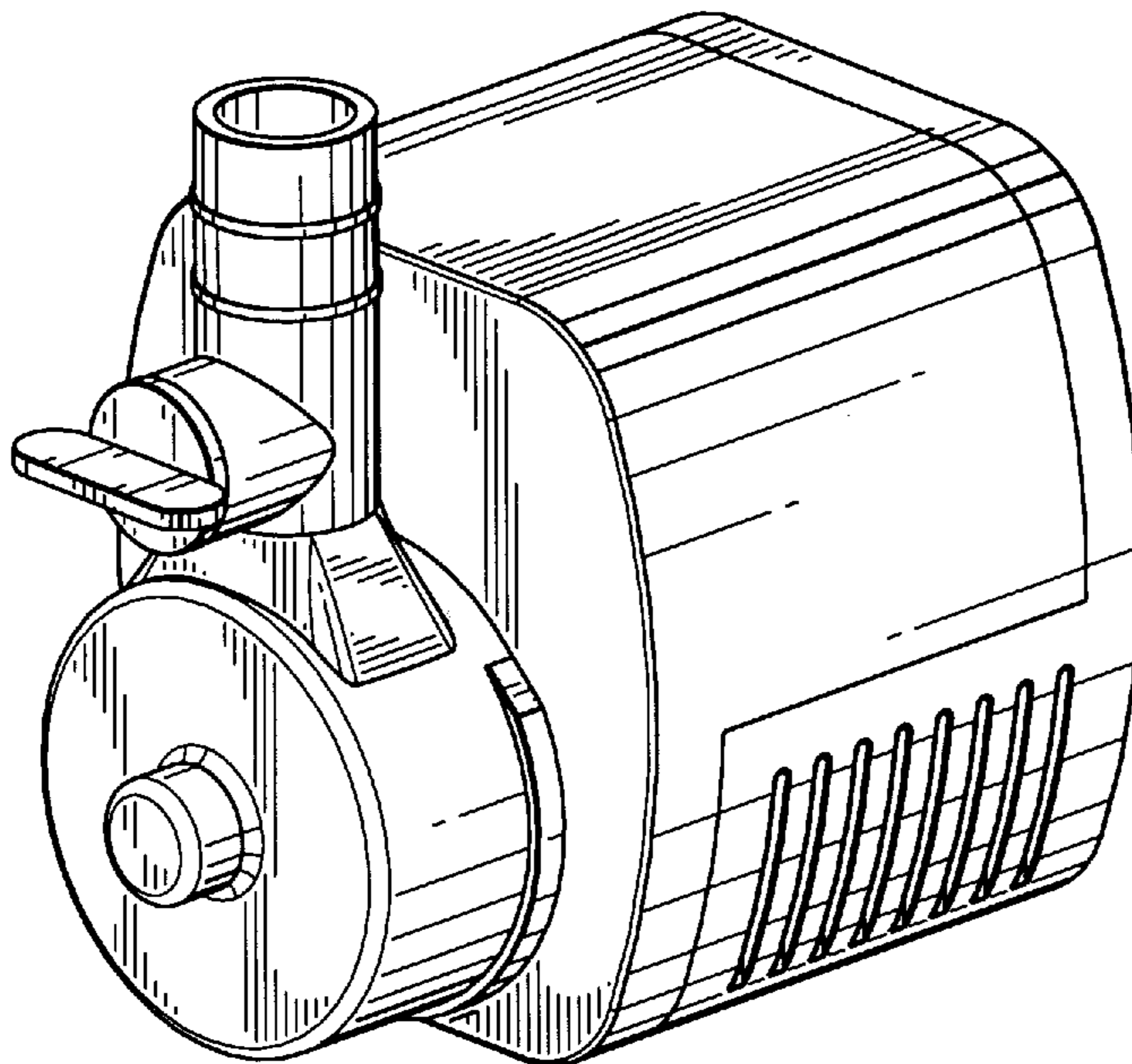
[57] **CLAIM**

The ornamental design for a pump, as shown and described.

DESCRIPTION

FIG. 1 is a perspective view of the pump;
FIG. 2 is a front view of the pump;
FIG. 3 is side view of the pump;
FIG. 4 is a back view of the pump;
FIG. 5 is the other side view of the pump;
FIG. 6 is a top view of the pump; and,
FIG. 7 is a bottom view of the pump.

1 Claim, 2 Drawing Sheets



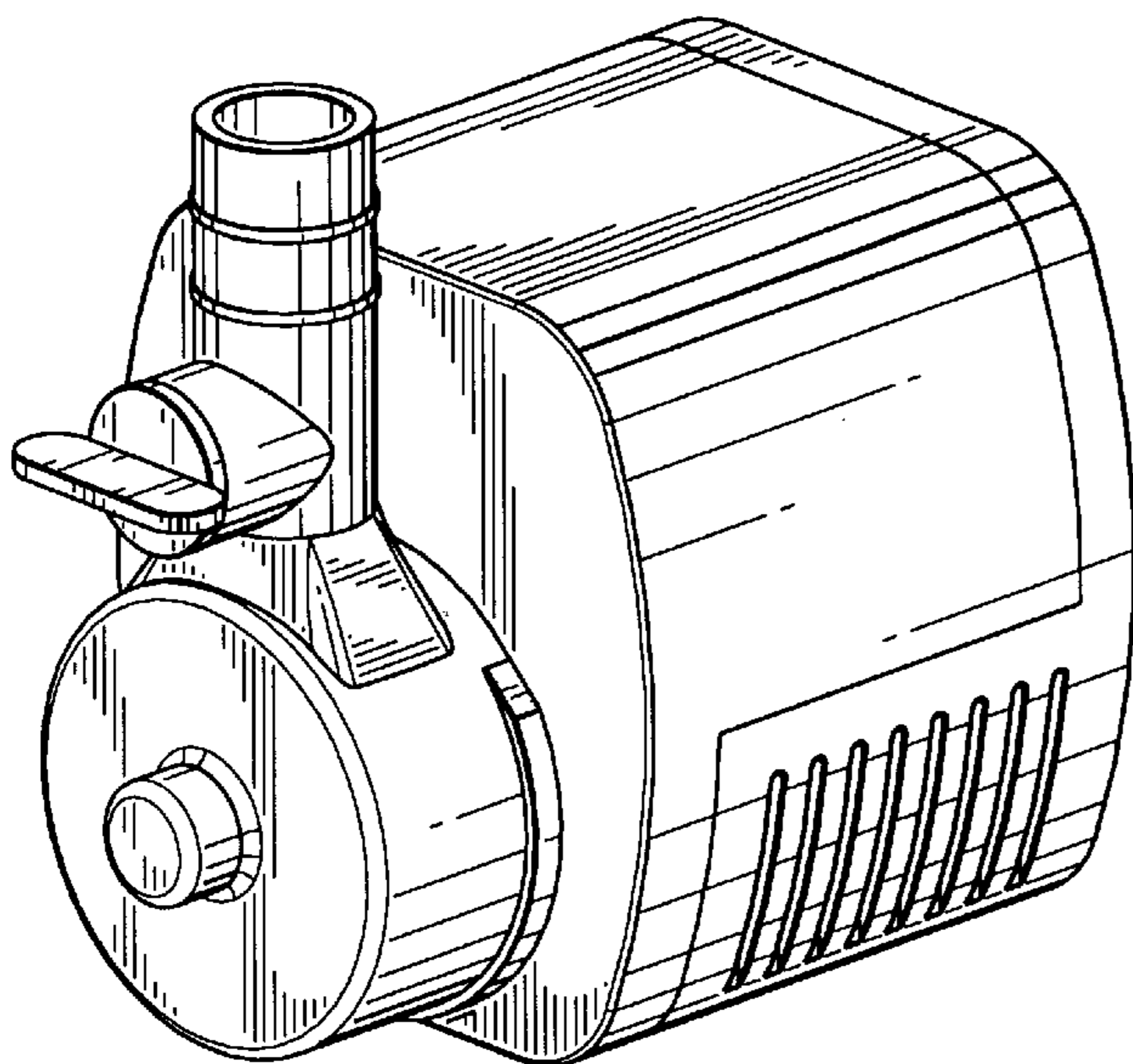


FIG. 1

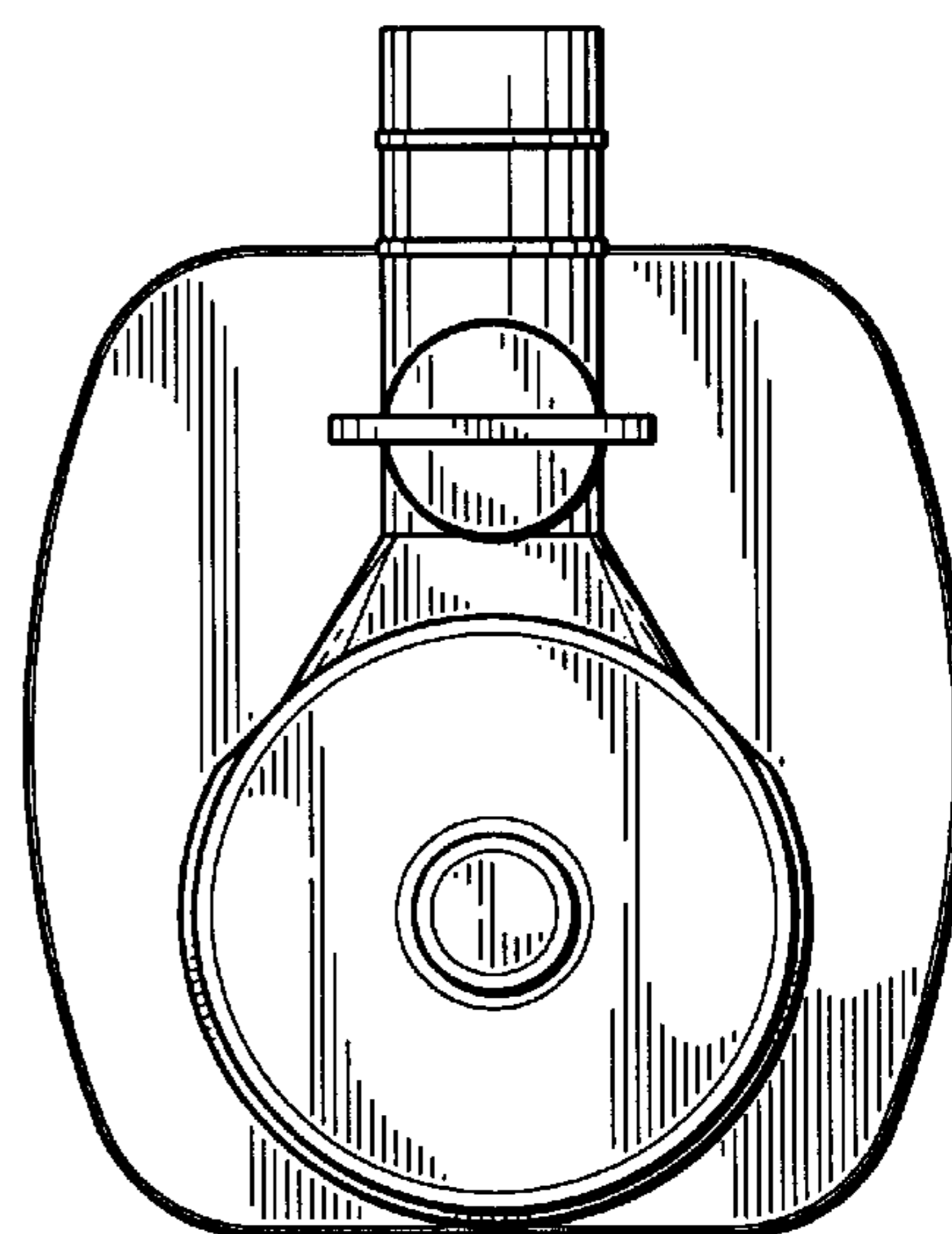


FIG. 2

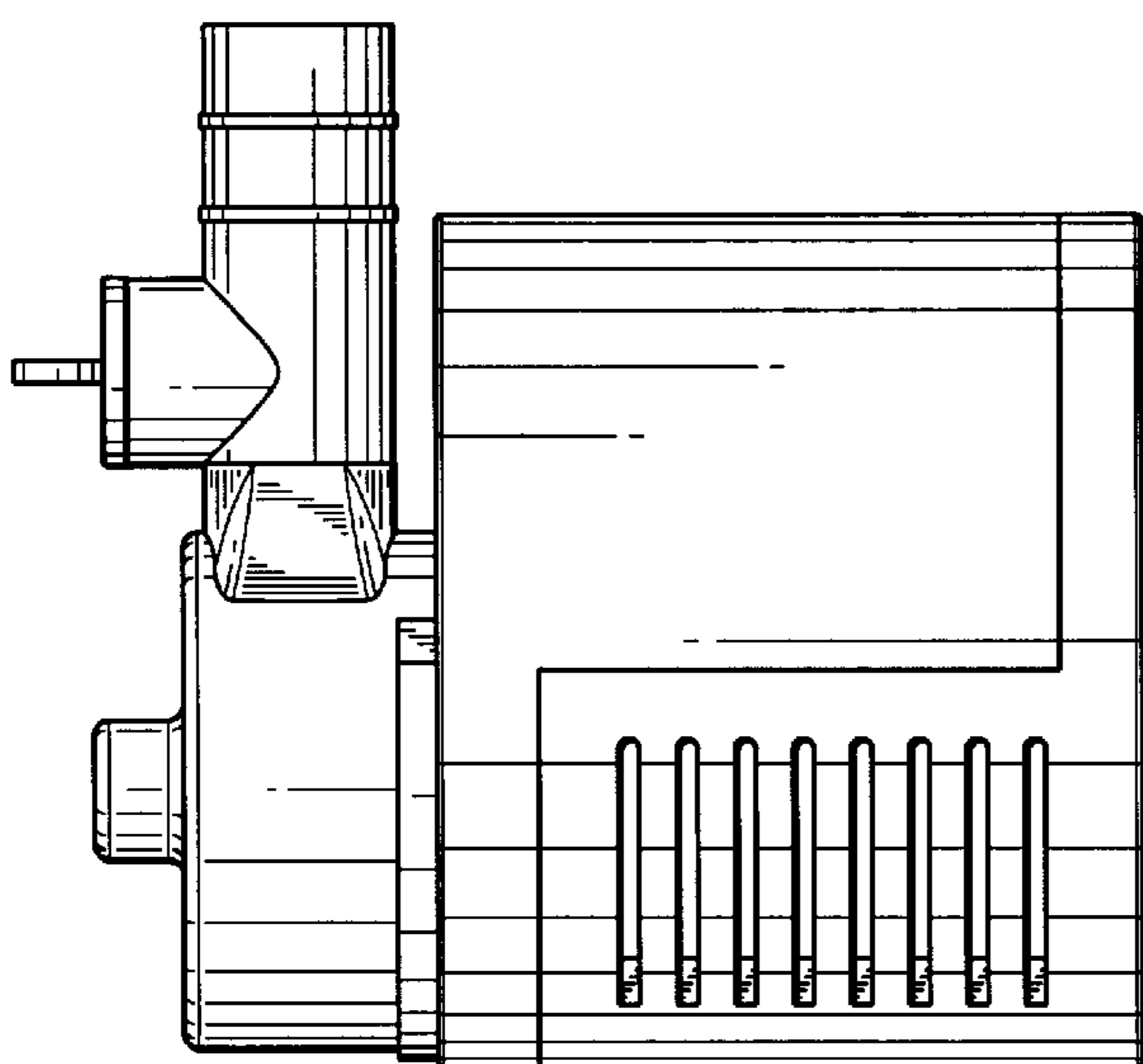


FIG. 3

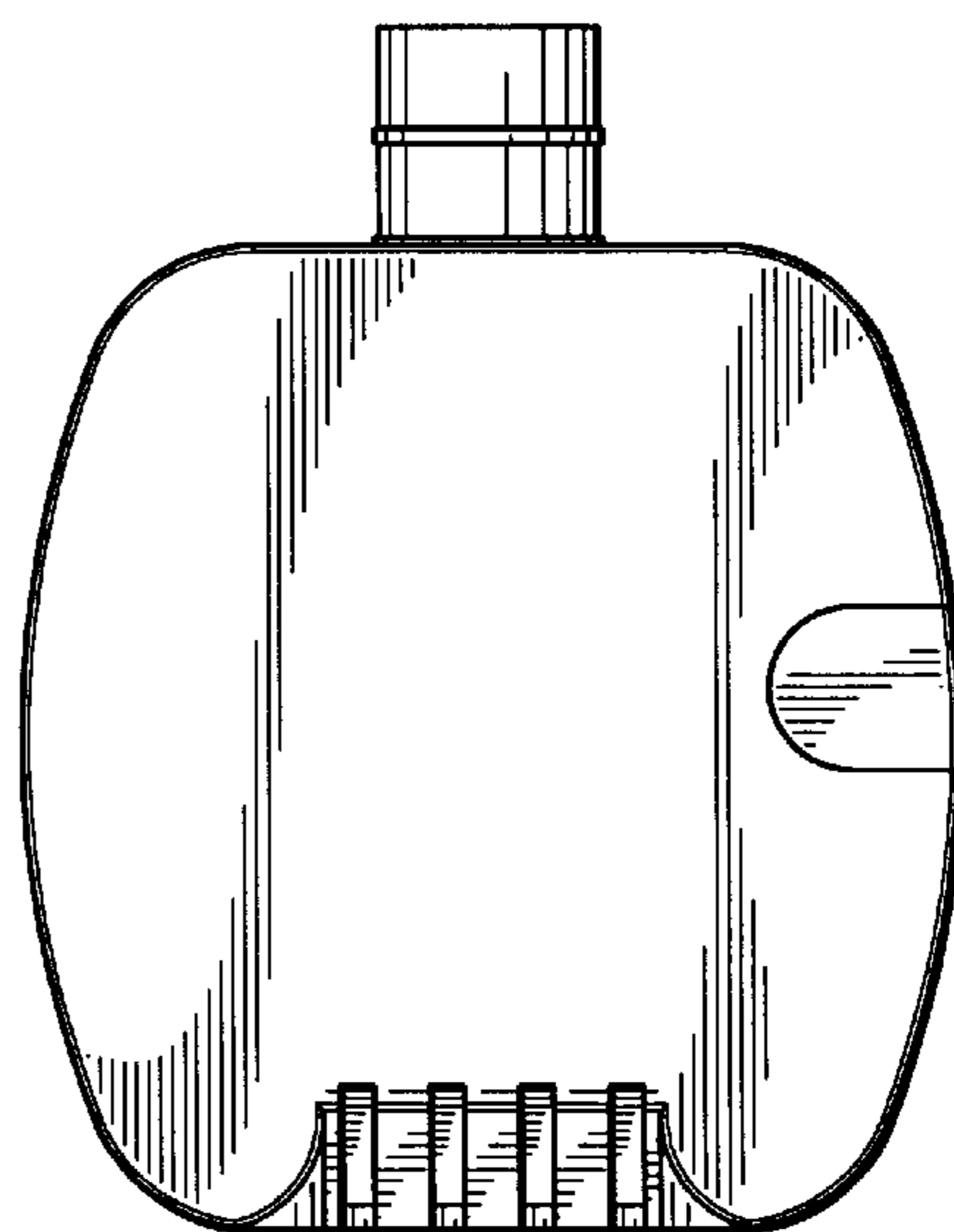


FIG. 4

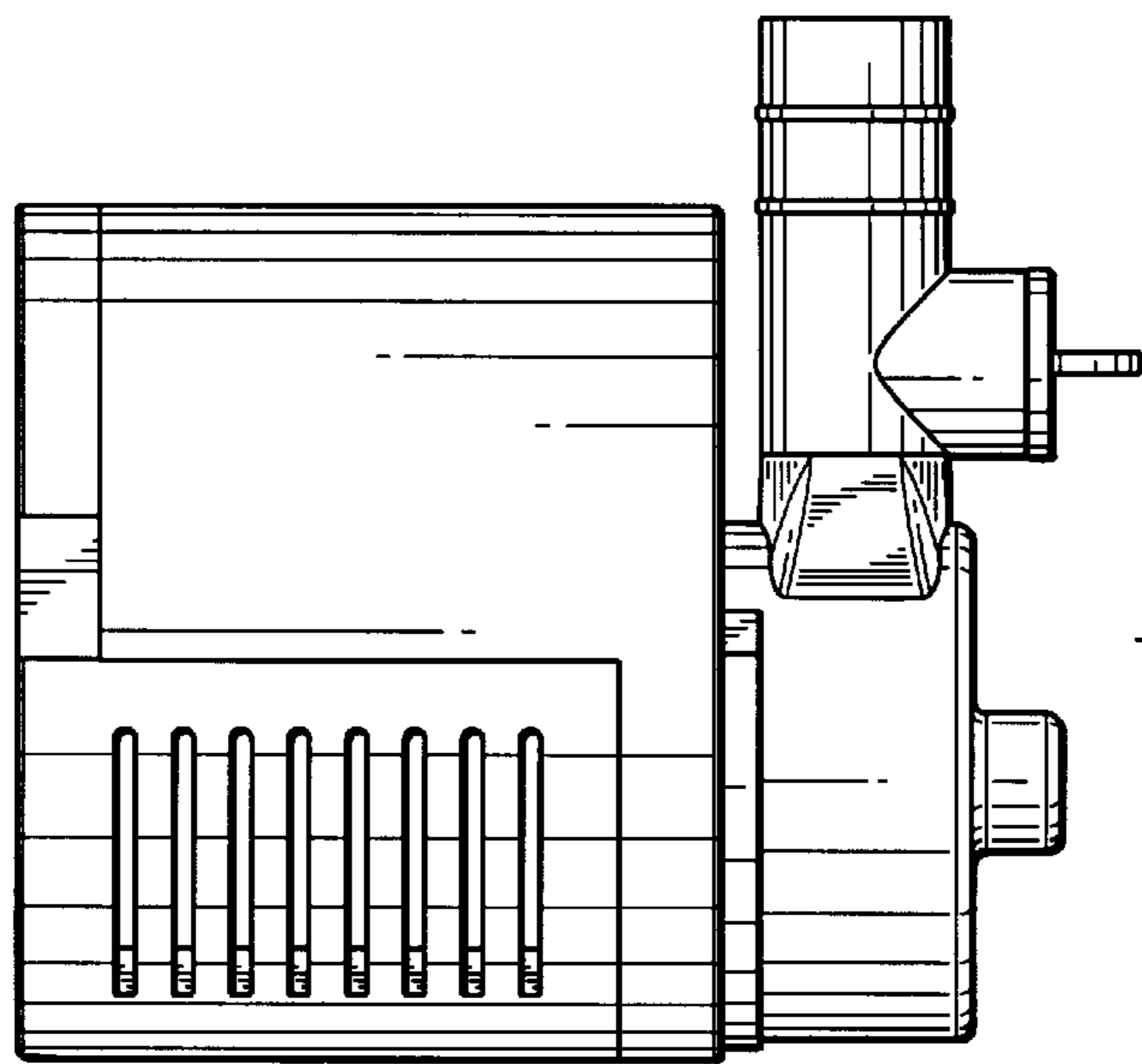


FIG. 5

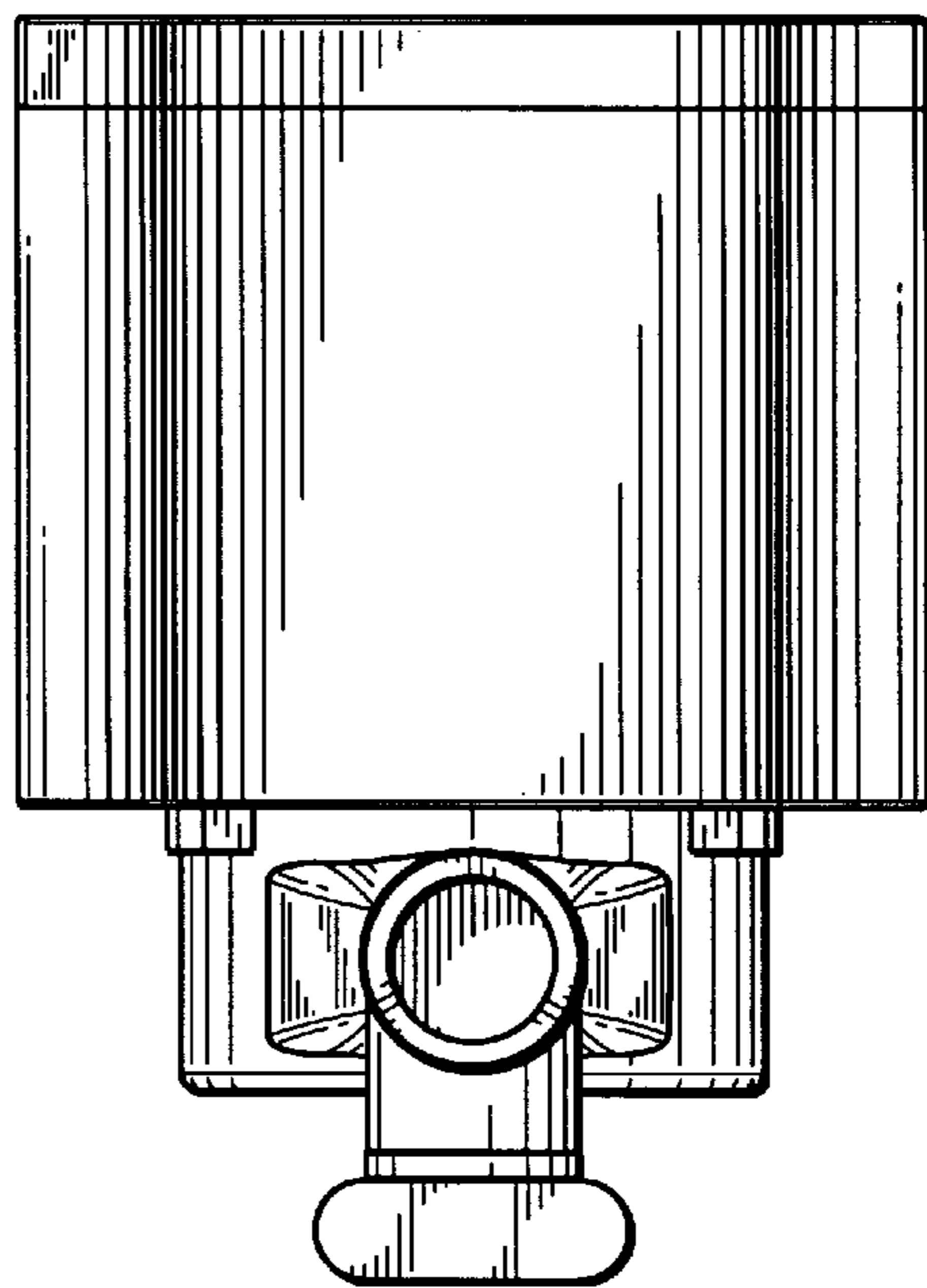


FIG. 6

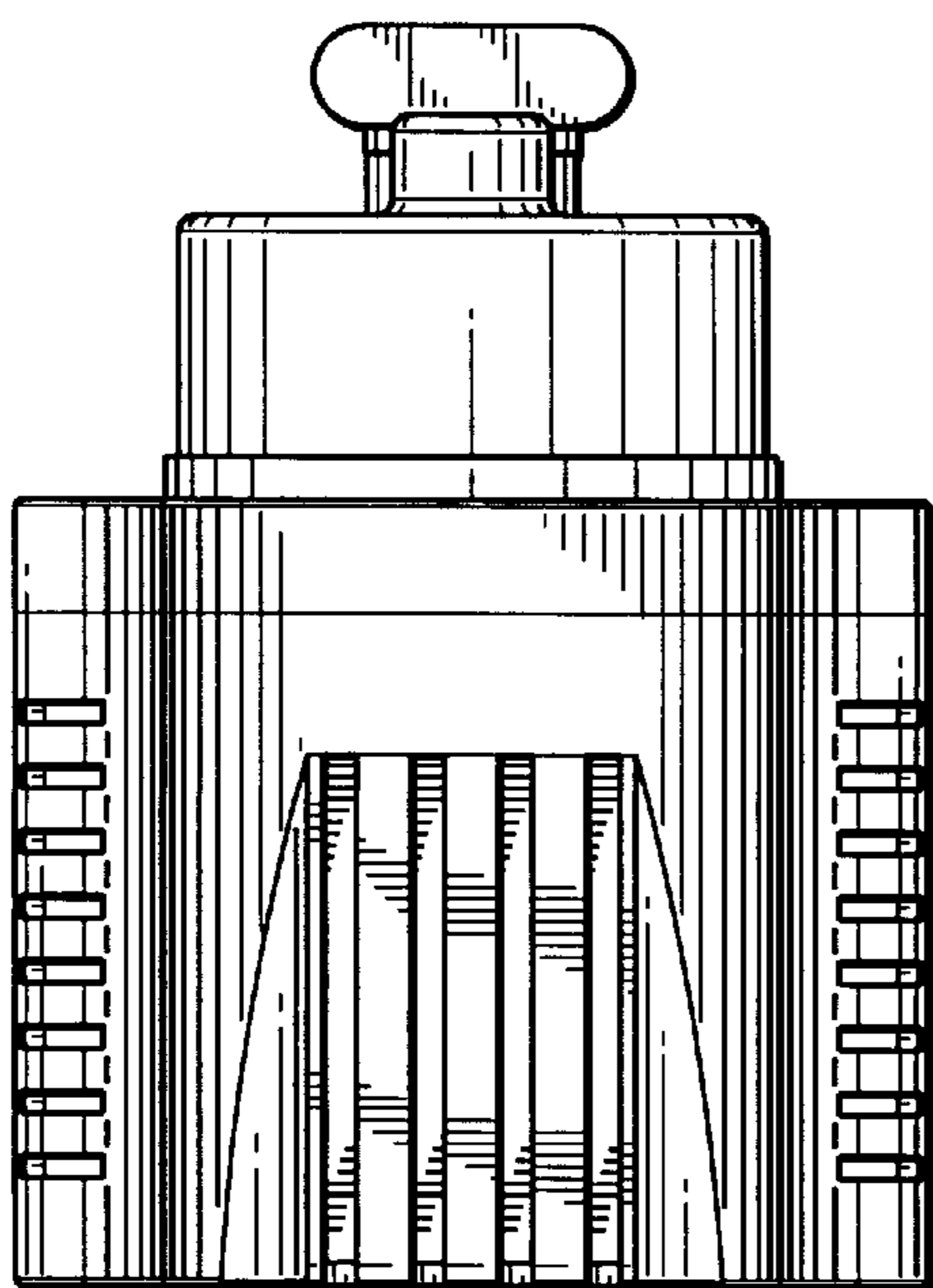


FIG. 7