



US00D403323S

# United States Patent [19] Davies

[11] **Patent Number: Des. 403,323**

[45] **Date of Patent: \*\*Dec. 29, 1998**

[54] **CLAPPER MEGAPHONE**

[76] Inventor: **Holly Patricia Davies**, 110 Calle Resplendor, Tucson, Ariz. 85716

[\*\*] Term: **14 Years**

[21] Appl. No.: **85,300**

[22] Filed: **Jun. 13, 1997**

[51] **LOC (6) Cl. .... 14-03**

[52] **U.S. Cl. .... D14/187; D14/208**

[58] **Field of Search .... D14/185-187, D14/204, 207, 208, 221, 222; D10/120; 181/144, 147, 148, 150, 152-155, 157, 159, 171, 174; 381/24, 88-90, 153, 159, 182, 203-205**

[56] **References Cited**

**U.S. PATENT DOCUMENTS**

D. 232,239 7/1974 Schafler ..... D14/208 X  
D. 271,968 12/1983 Segan et al. .... D14/187

D. 275,852 10/1984 Brisson ..... D14/204  
785,874 3/1905 Gould ..... D10/120  
5,094,317 3/1992 Ladendofr ..... D14/204 X

*Primary Examiner*—Terry A. Wallace  
*Assistant Examiner*—Nanda Bondade  
*Attorney, Agent, or Firm*—Gregory J. Nelson

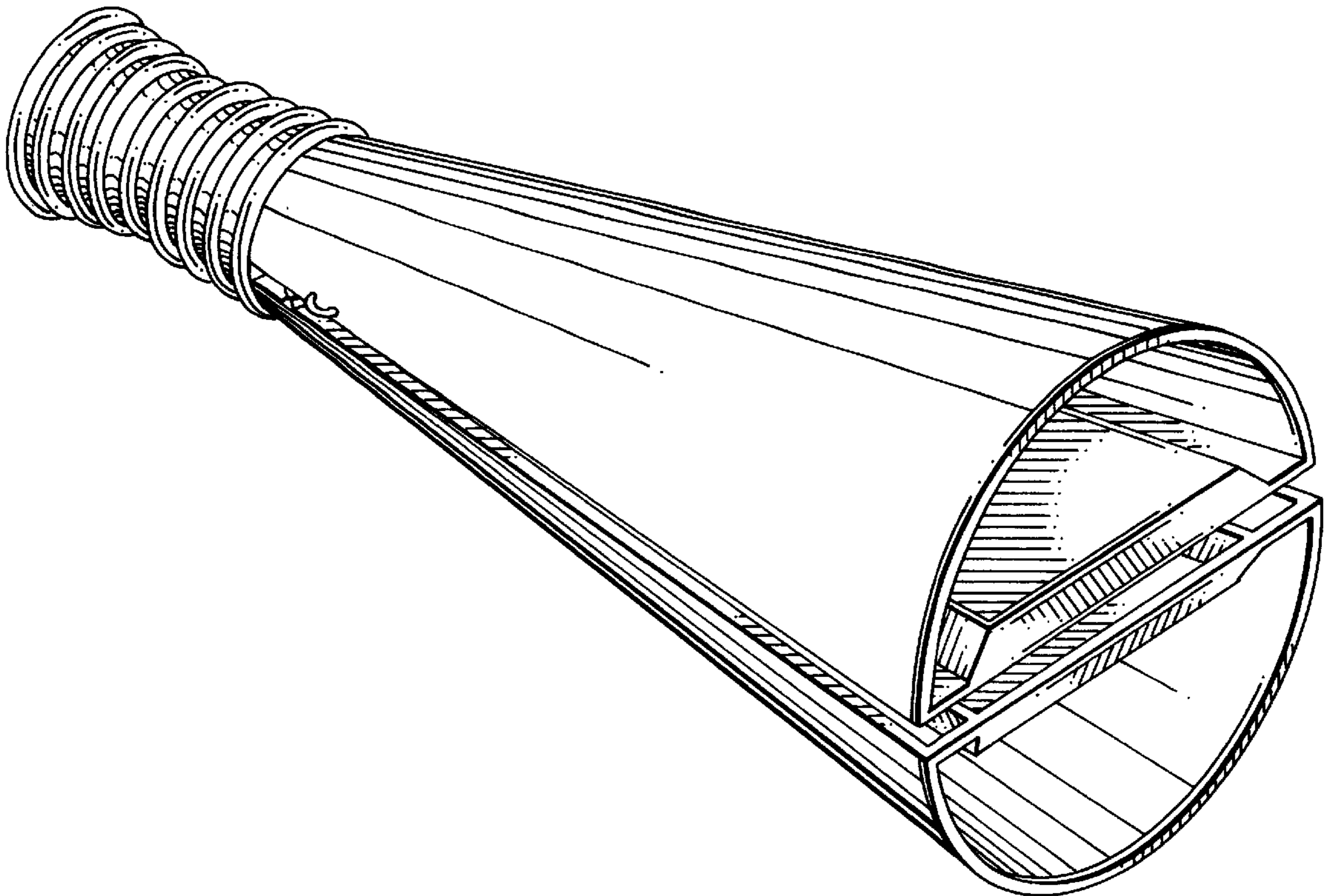
[57] **CLAIM**

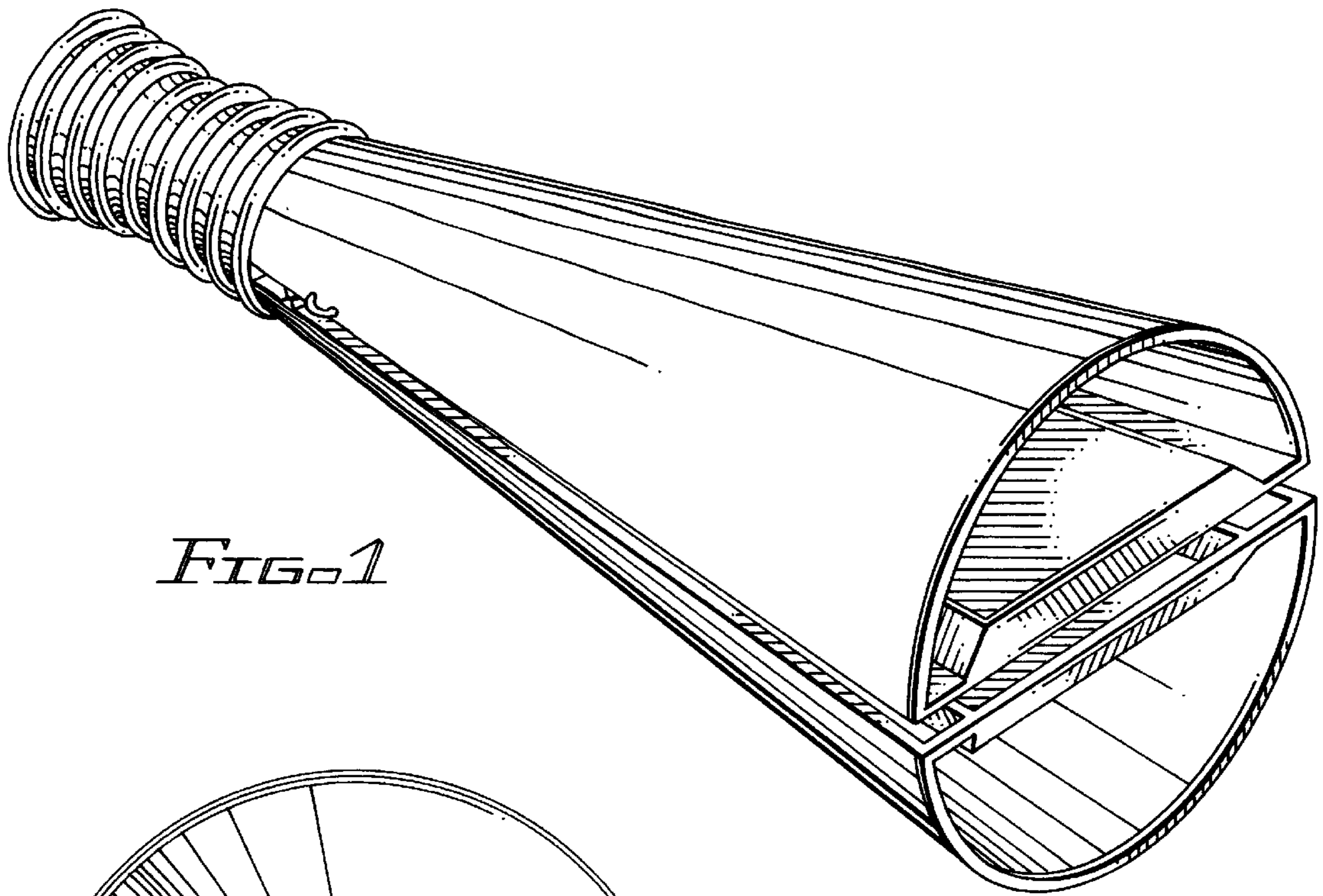
The ornamental design for a clapper megaphone, as shown and described.

**DESCRIPTION**

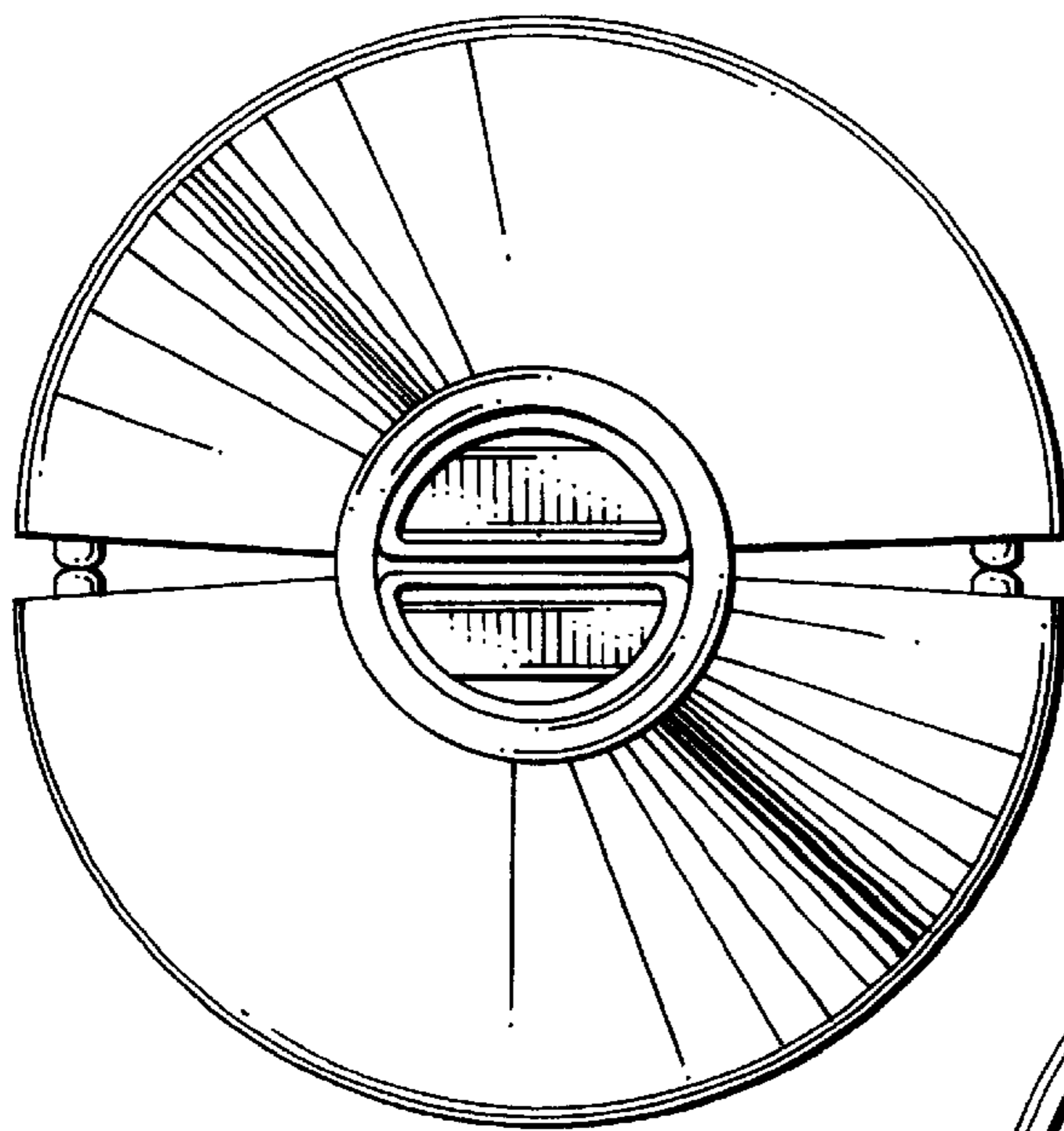
FIG. 1 is a perspective view showing the clapper megaphone of my new design;  
FIG. 2 is a right side view thereof, the left side view being a mirror image thereof;  
FIG. 3 is a top view thereof, the bottom view being a mirror image thereof;  
FIG. 4 is a left end view as viewed in FIG. 1; and,  
FIG. 5 is a right end view as viewed in FIG. 1.

**1 Claim, 2 Drawing Sheets**

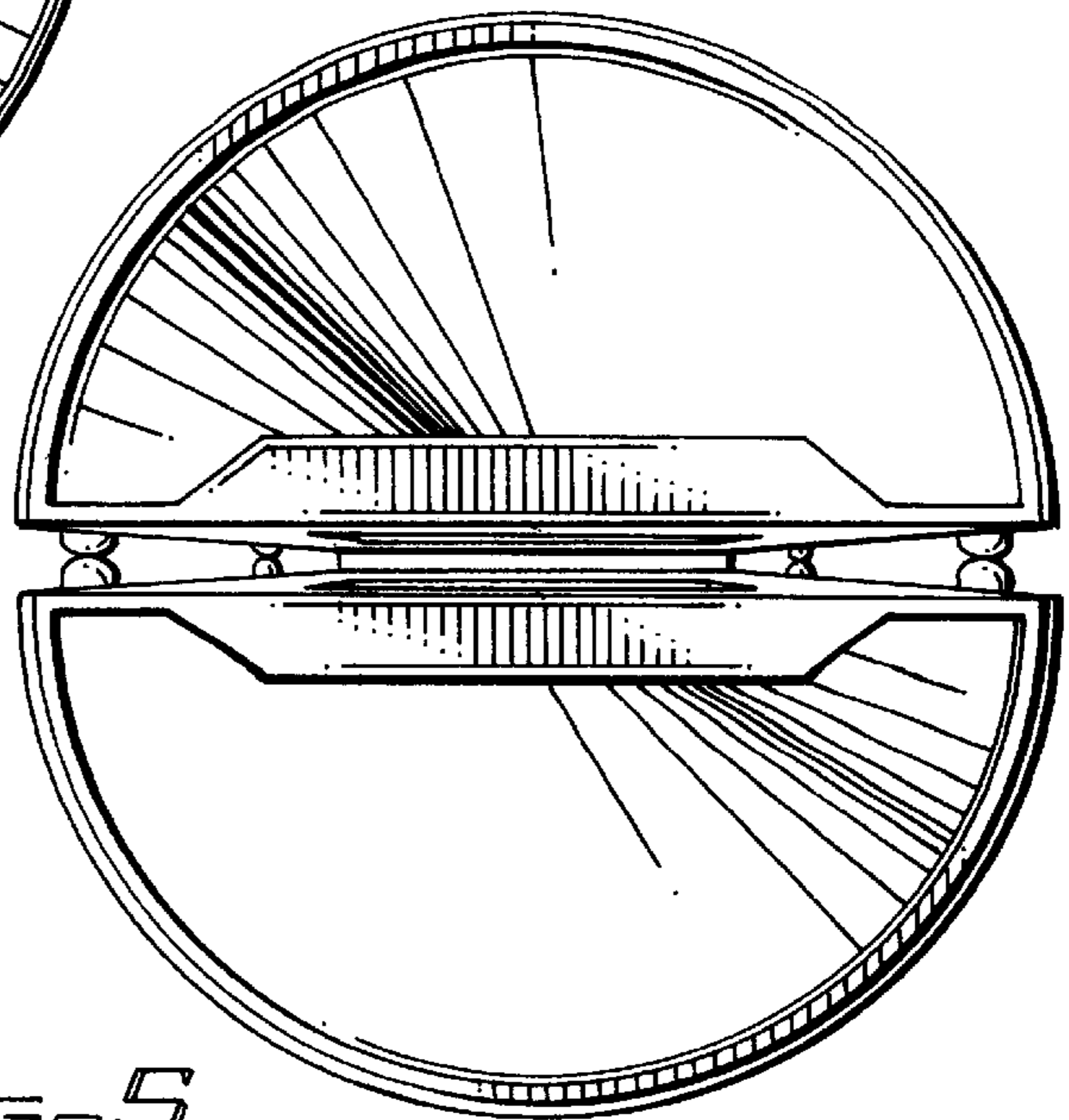




*FIG. 1*



*FIG. 4*



*FIG. 5*

