



US00D403320S

United States Patent [19]

Niitsu

[11] **Patent Number: Des. 403,320**

[45] **Date of Patent: **Dec. 29, 1998**

[54] **DISC PLAYER COMBINED WITH A RADIO TUNER AND AN AMPLIFIER**

[75] Inventor: **Takuya Niitsu**, Tokyo, Japan

[73] Assignee: **Sony Corporation**, Tokyo, Japan

[**] Term: **14 Years**

[21] Appl. No.: **81,305**

[22] Filed: **Dec. 30, 1997**

Related U.S. Application Data

[63] Continuation-in-part of Ser. No. 55,332, Jun. 3, 1996, Pat. No. Des. 389,480.

Foreign Application Priority Data

Dec. 4, 1995 [JP] Japan 736319

[51] **LOC (6) Cl.** **14-01**

[52] **U.S. Cl.** **D14/168; D14/188**

[58] **Field of Search** D14/156, 168-170, D14/188-189, 193-198, 265, 299; 455/344, 347, 350, 351

References Cited

U.S. PATENT DOCUMENTS

D. 218,751 9/1970 Zierhut D14/164

D. 235,682	7/1975	Haas .	
D. 267,172	12/1982	Pemberton	D14/164
D. 272,824	2/1984	McGourty .	
D. 321,194	10/1991	Ito et al.	14/168
D. 321,689	11/1991	Yamakawa	14/188
D. 338,007	8/1993	Mauch	14/156
D. 348,064	6/1994	Saito et al.	14/193

Primary Examiner—Ted Shooman
Assistant Examiner—Nanda Bondade
Attorney, Agent, or Firm—Foley & Lardner

[57] CLAIM

The ornamental design for a disc player combined with radio tuner and amplifier, as shown and described.

DESCRIPTION

FIG. 1 is a perspective view of a disc player combined with a radio tuner and an amplifier showing my new design; FIG. 2 is a top plan view thereof; FIG. 3 is a left side elevational view thereof, a right side elevational view thereof being a mirror image; FIG. 4 is a front elevational view thereof; FIG. 5 is a bottom plan view thereof; and, FIG. 6 is a rear elevational view thereof.

1 Claim, 4 Drawing Sheets

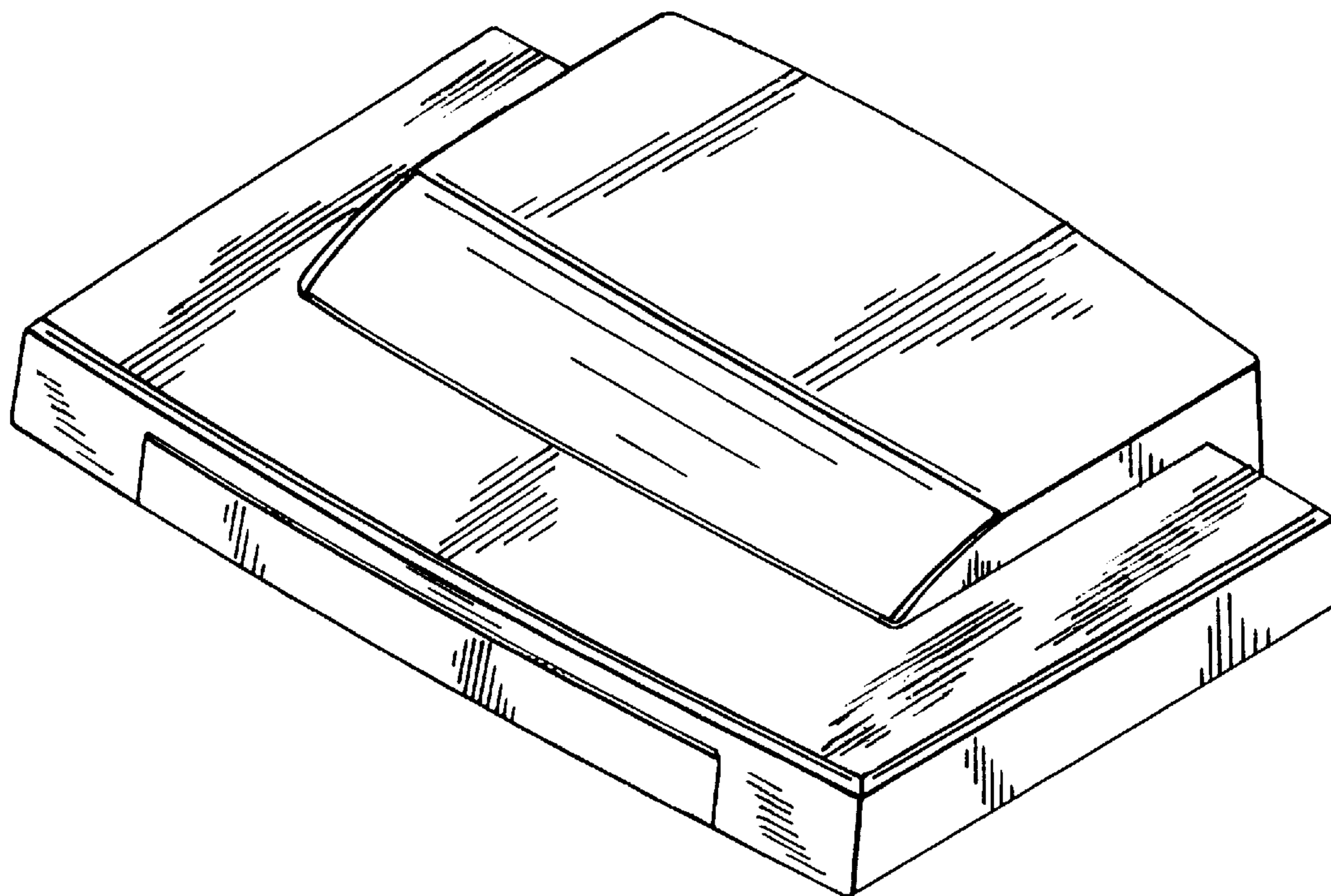


FIG. 1

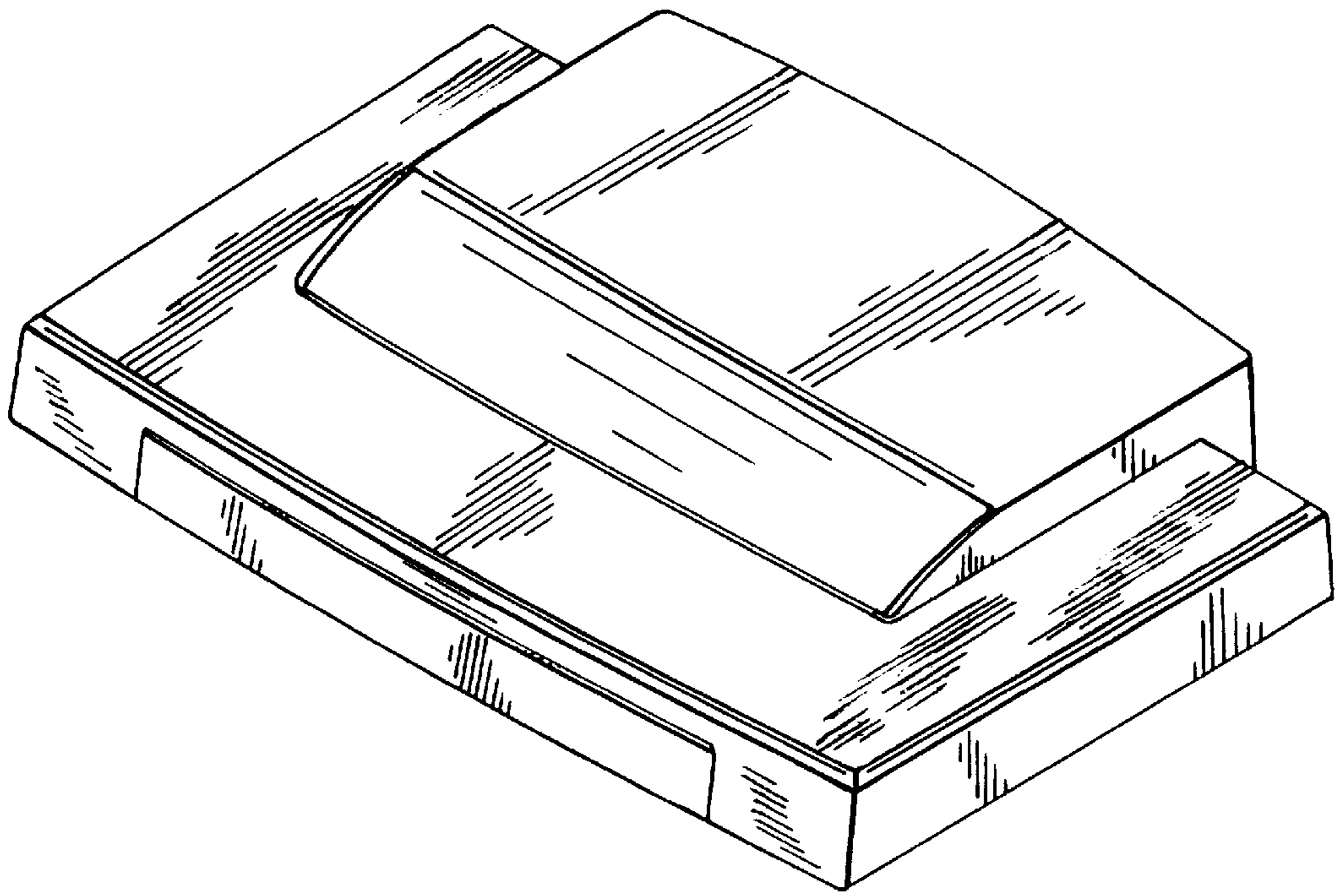


FIG. 2

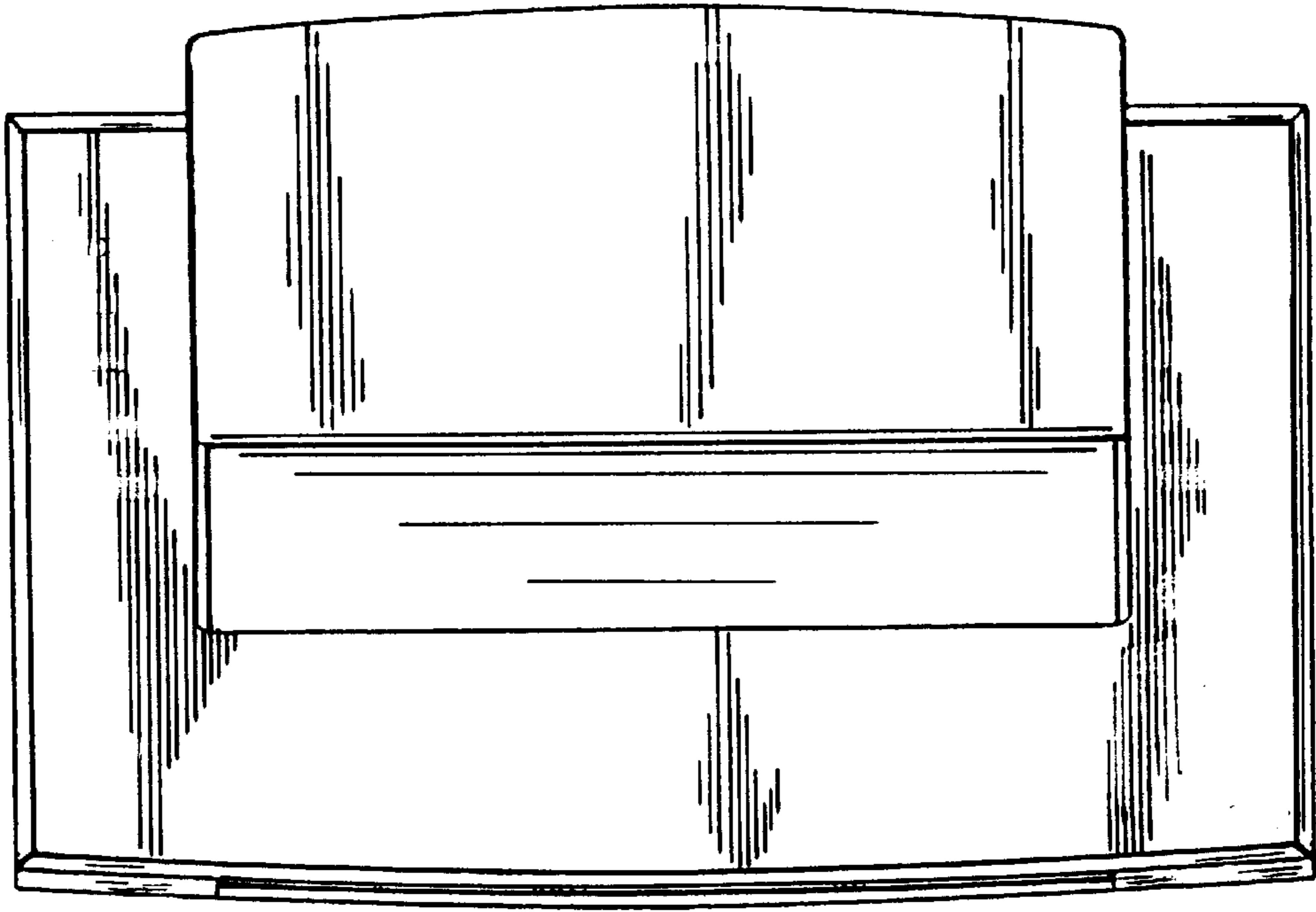


FIG. 3

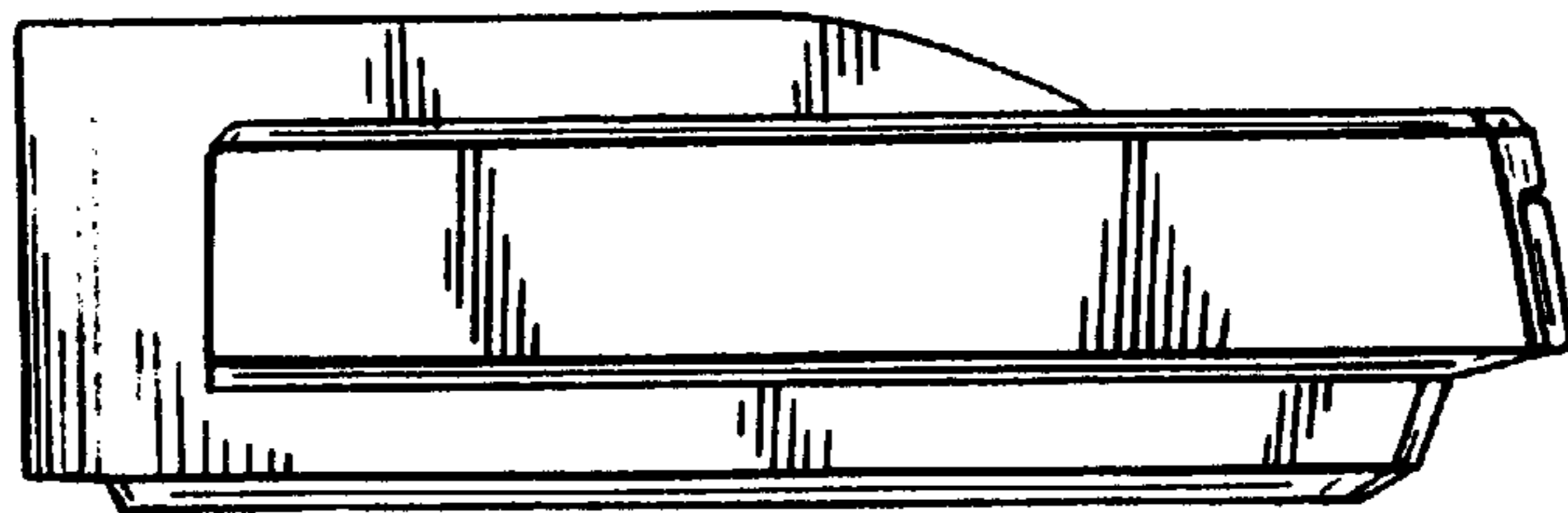


FIG. 4

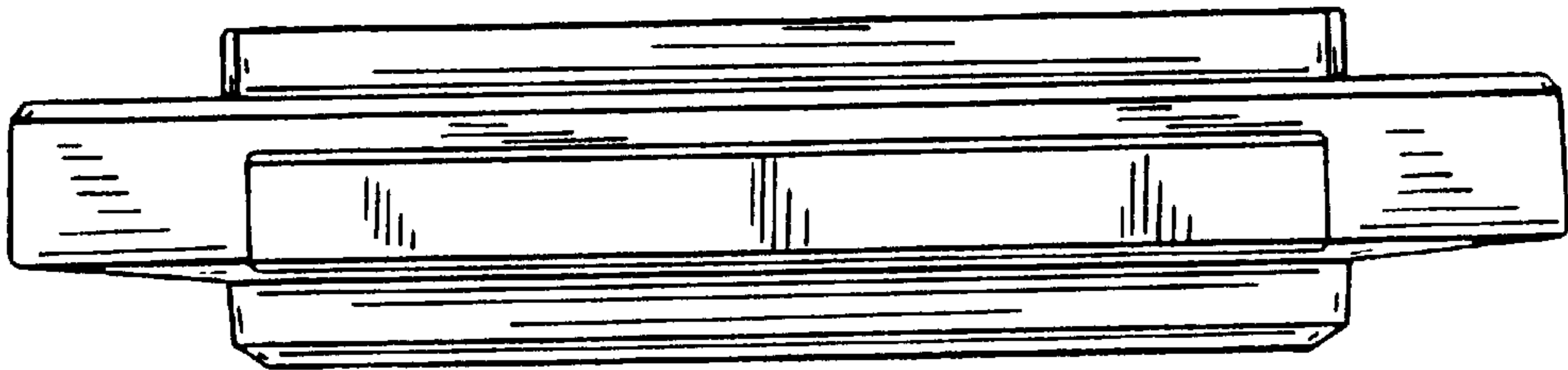


FIG. 5

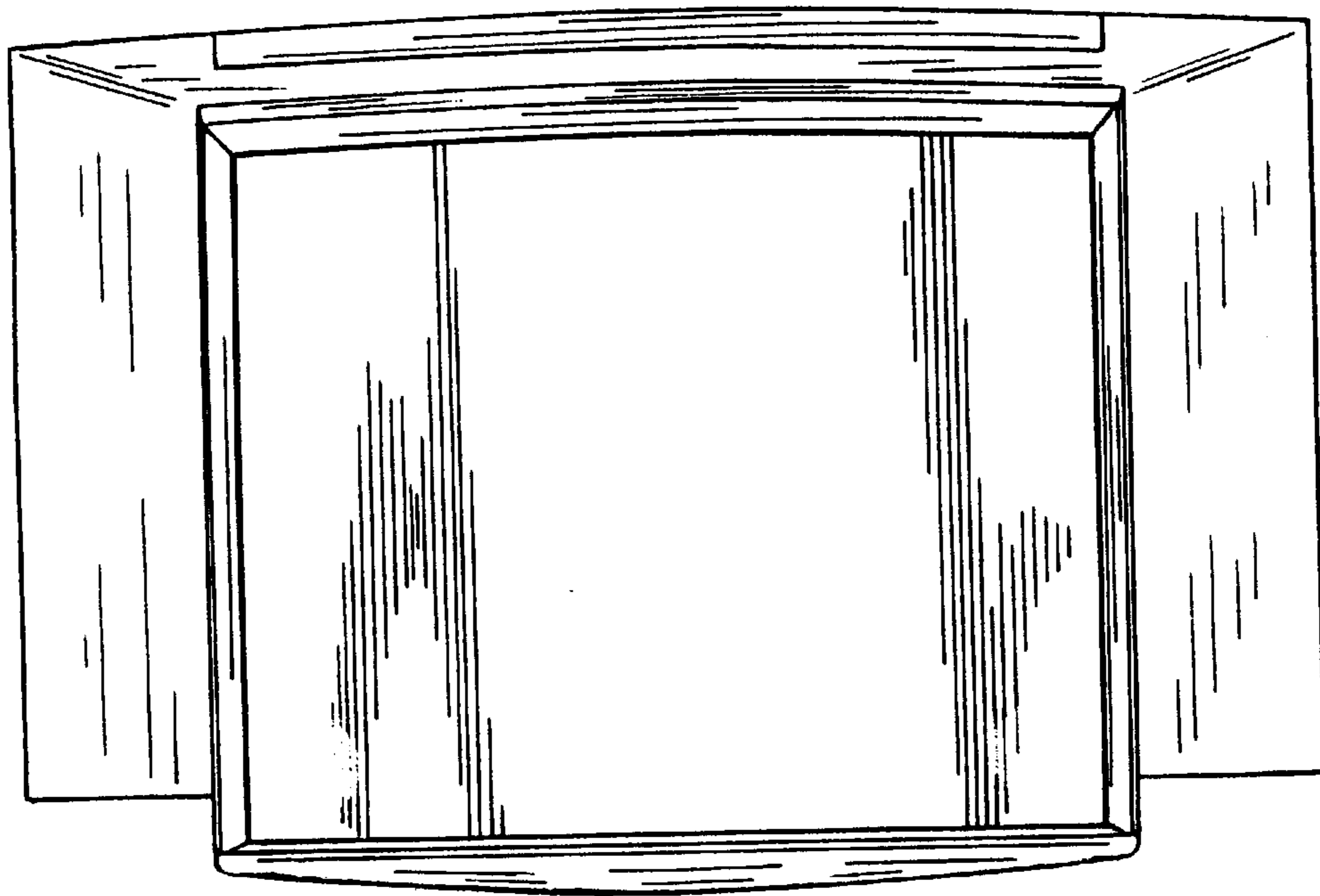


FIG. 6

