



US00D403316S

# United States Patent [19]

Fu et al.

[11] **Patent Number: Des. 403,316**

[45] **Date of Patent: \*\*Dec. 29, 1998**

[54] **DESKTOP COMPUTER FRONT PANEL**

D. 367,049 2/1996 Lin ..... D14/115

[75] Inventors: **Richard C. Y. Fu**, Cerritos; **Jason Ji**, Diamond Bar, both of Calif.; **Yu Jung Lo**, Tu-Cheng, Taiwan

*Primary Examiner*—Freda Nunn

[73] Assignee: **Hon Hai Precision Ind. Co., Ltd.**, Taipei Hsien, Taiwan

### [57] CLAIM

[\*\*] Term: **14 Years**

The ornamental design for a desktop computer front panel, as shown.

[21] Appl. No.: **83,338**

[22] Filed: **Feb. 6, 1998**

### DESCRIPTION

[51] **LOC (6) Cl.** ..... **14-02**

[52] **U.S. Cl.** ..... **D14/115**

[58] **Field of Search** ..... D14/100, 102, D14/107-109, 115, 257, 258; D10/103; D13/162, 184, 164, 177, 199; 312/223.2; 428/99; 361/600, 622, 724-728

FIG. 1 is a perspective view of a desktop computer front panel showing our new design;

FIG. 2 is a front elevational view thereof;

FIG. 3 is a rear elevational view thereof;

FIG. 4 is a left side elevational view thereof;

FIG. 5 is a right side elevational view thereof;

FIG. 6 is a top plan view thereof; and,

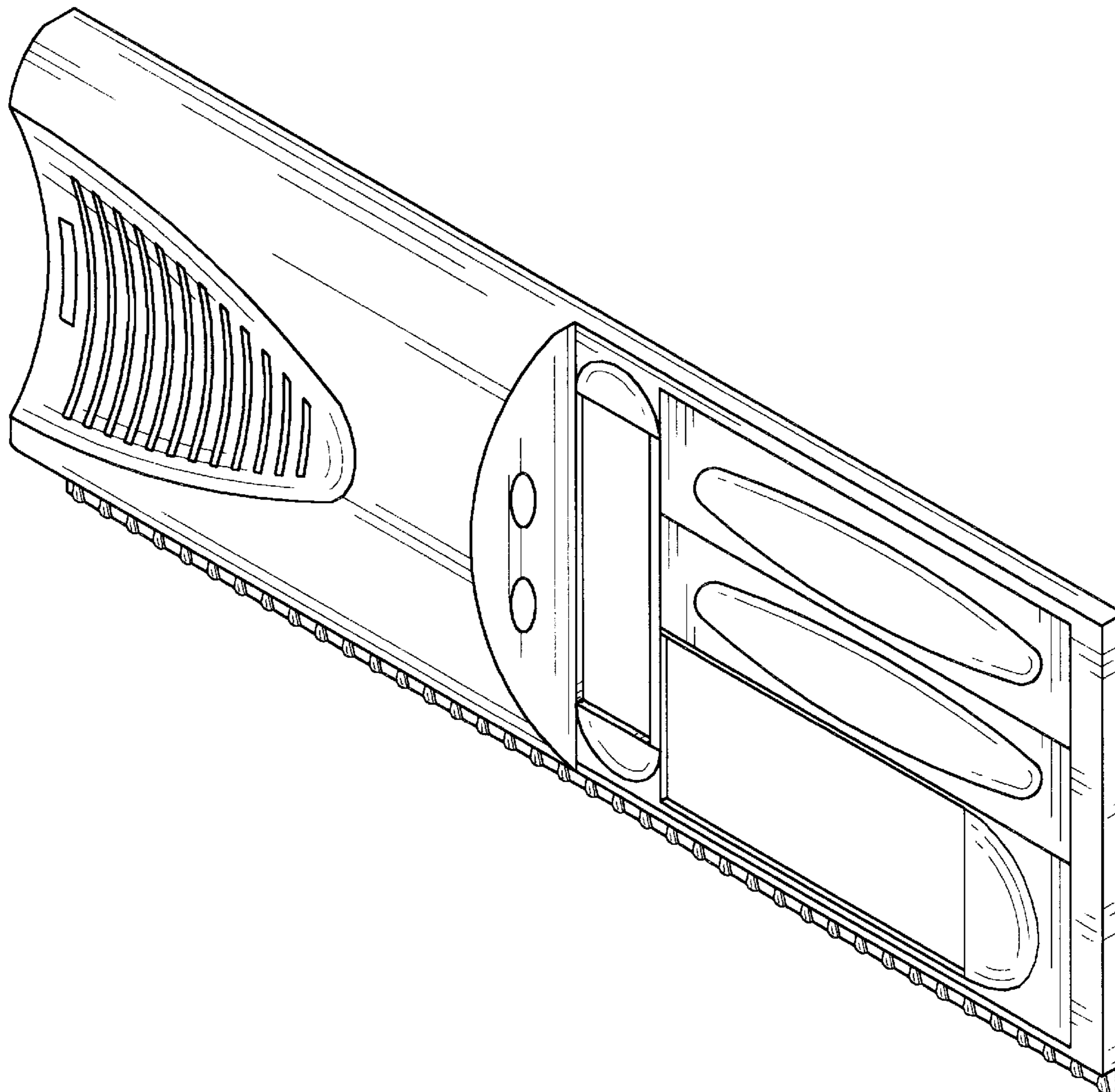
FIG. 7 is a bottom plan view thereof.

### [56] References Cited

#### U.S. PATENT DOCUMENTS

D. 363,479 10/1995 Tinsley, Jr. et al. .... D14/115

**1 Claim, 7 Drawing Sheets**



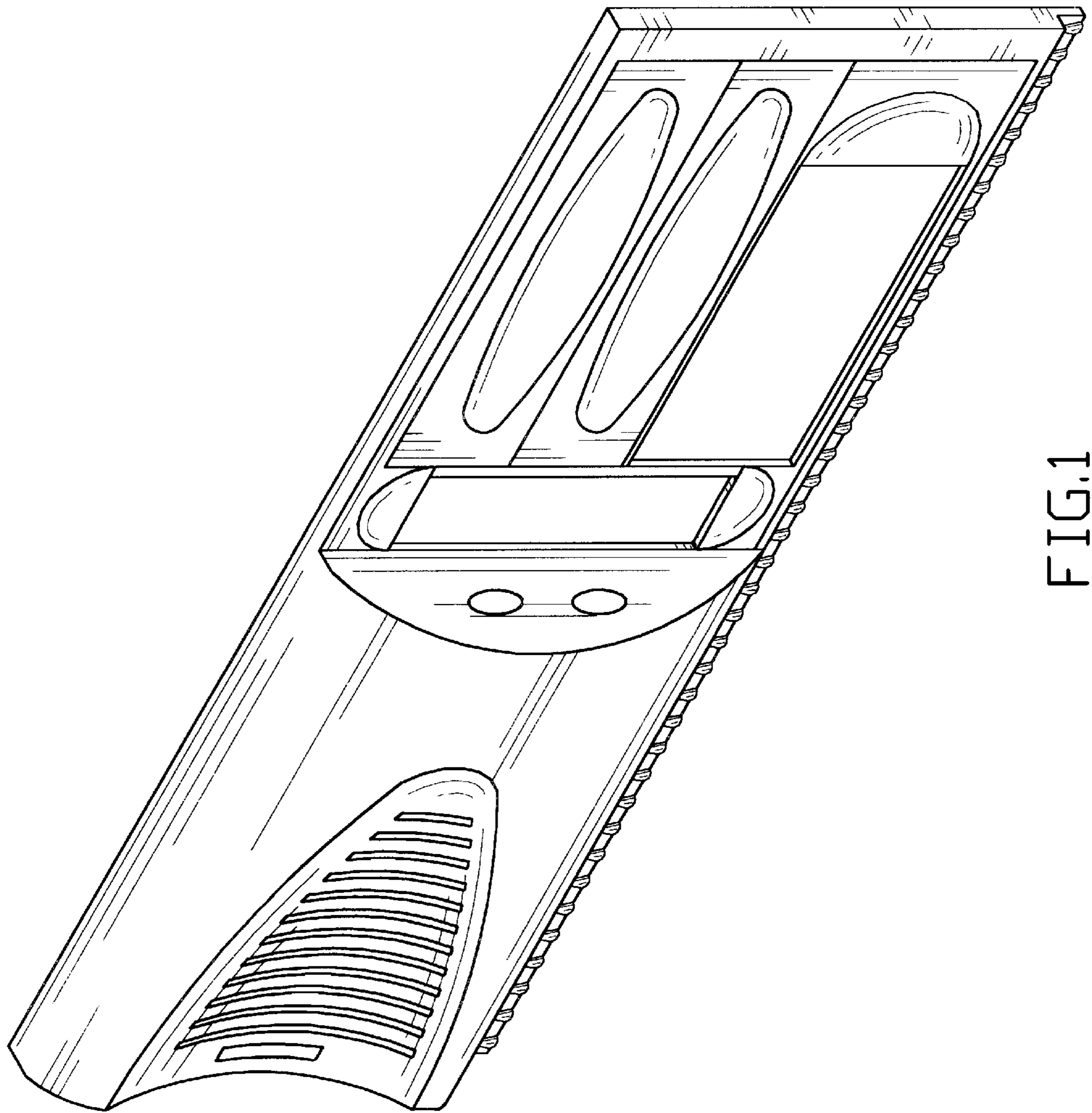


FIG.1

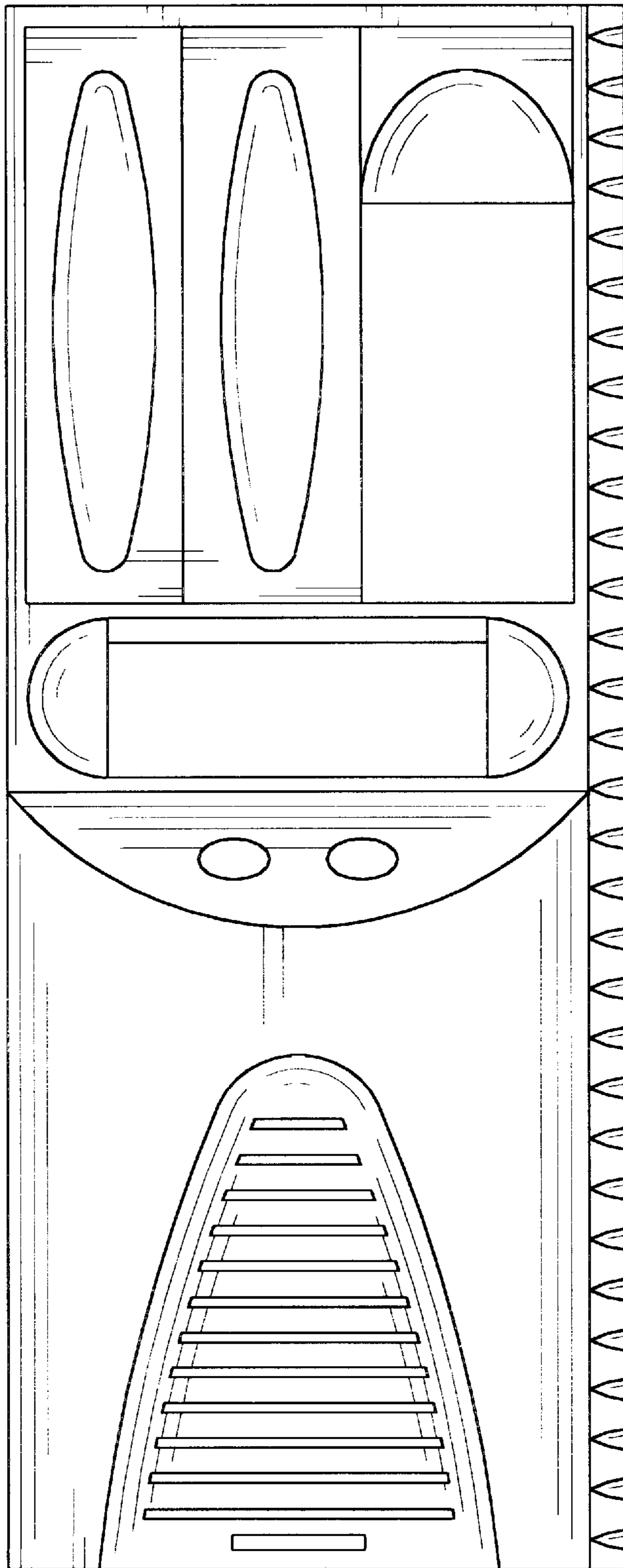


FIG. 2

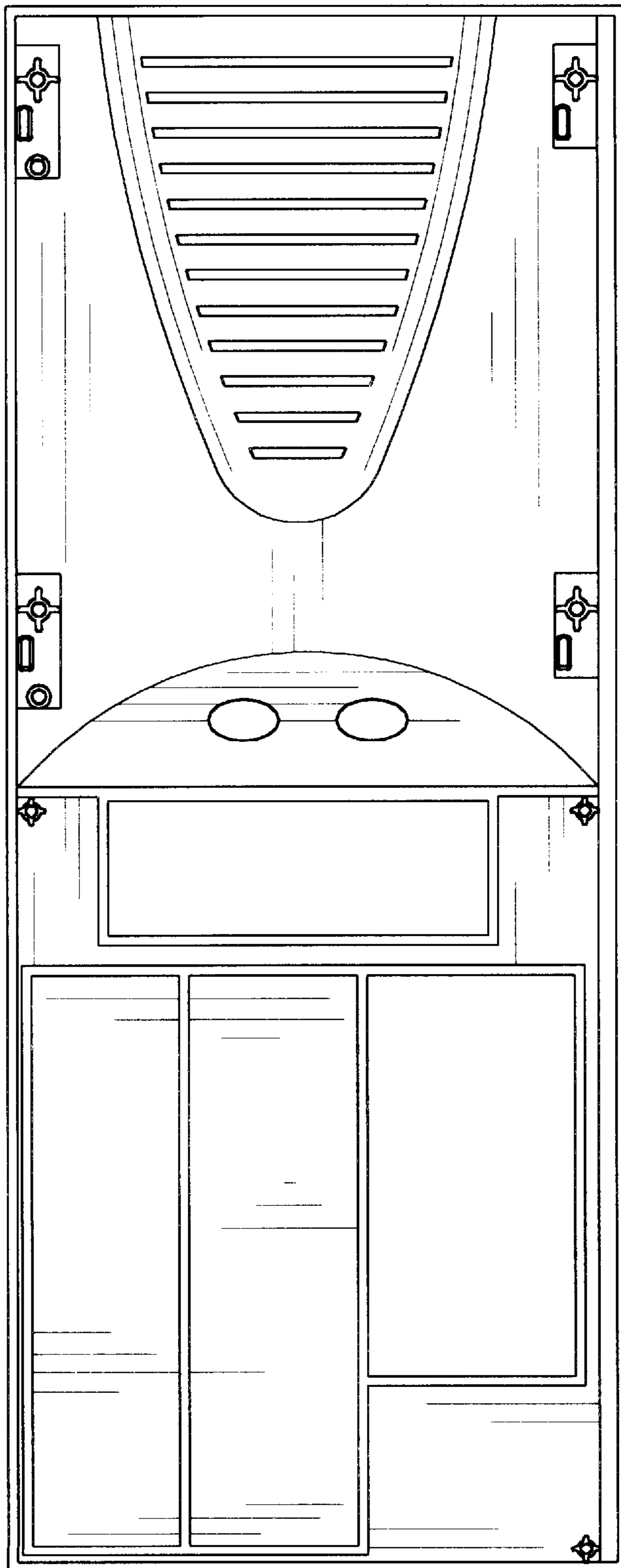


FIG.3

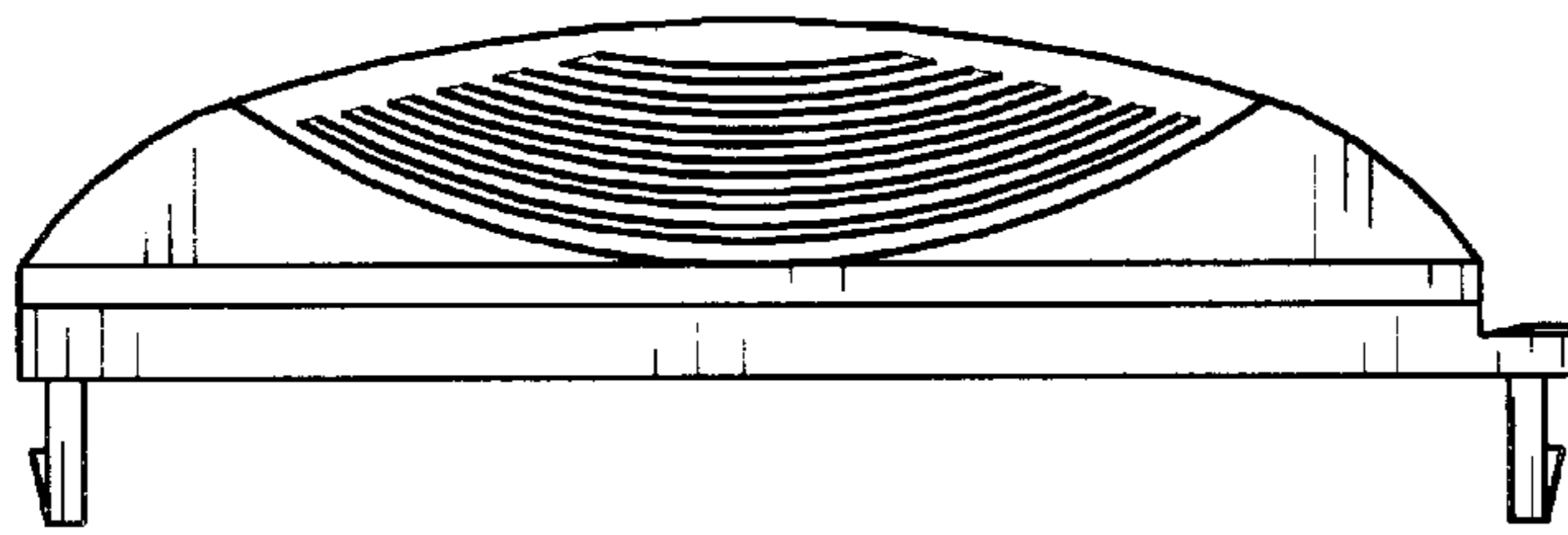


FIG.4

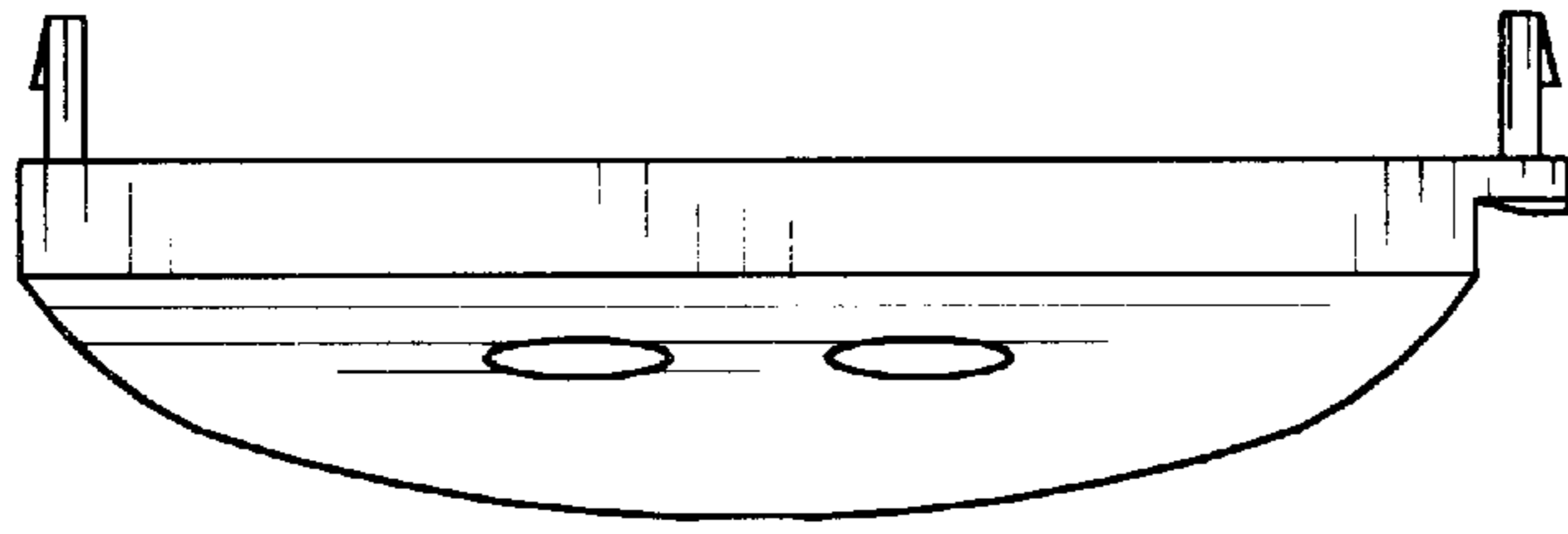


FIG. 5

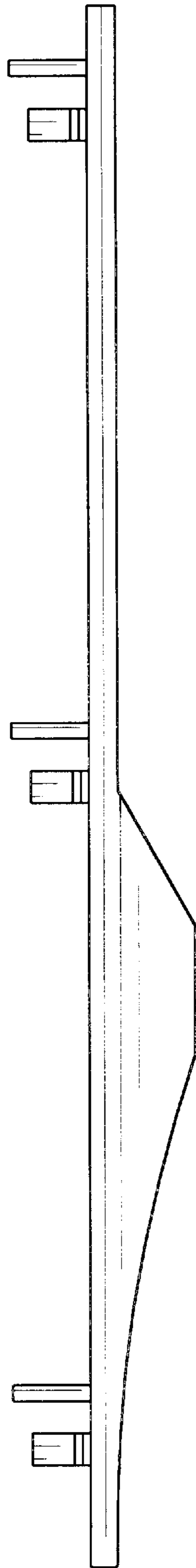


FIG.6

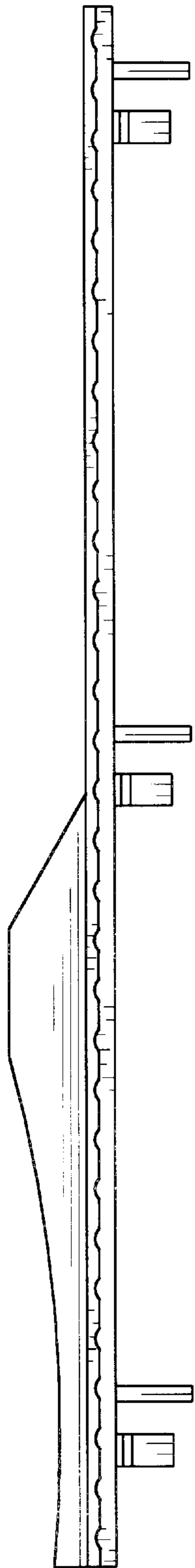


FIG. 7