

US00D403314S

United States Patent [19]

Ji et al.

[11] Patent Number: Des. 403,314

[45] Date of Patent: **Dec. 29, 1998

[54] DESKTOP COMPUTER FRONT PANEL

D. 367,049 2/1996 Lin D14/115

[75] Inventors: Jason Ji, Diamond Bar; Richard C. Y. Fu, Cerritos, both of Calif.

Primary Examiner—Freda Nunn

[73] Assignee: Hon Hai Precision Ind. Co., Ltd., Taipei Hsien, Taiwan

[57] CLAIM

[**] Term: 14 Years

The ornamental design for a desktop computer front panel, as shown.

[21] Appl. No.: 78,293

DESCRIPTION

[22] Filed: Oct. 16, 1997

FIG. 1 is a perspective view of a desktop computer front panel showing my new design;

[51] LOC (6) Cl. 14-02

FIG. 2 is a top plan view thereof;

[52] U.S. Cl. D14/115

FIG. 3 is a left side view thereof;

[58] Field of Search D14/100, 102, D14/107-109, 115, 257, 258; D10/103; D13/162, 164, 177, 184, 199; 312/223.2; 428/99; 361/600, 622, 724-728

FIG. 4 is a bottom plan view thereof;

FIG. 5 is a right side elevational view thereof;

FIG. 6 is a front elevational view thereof; and,

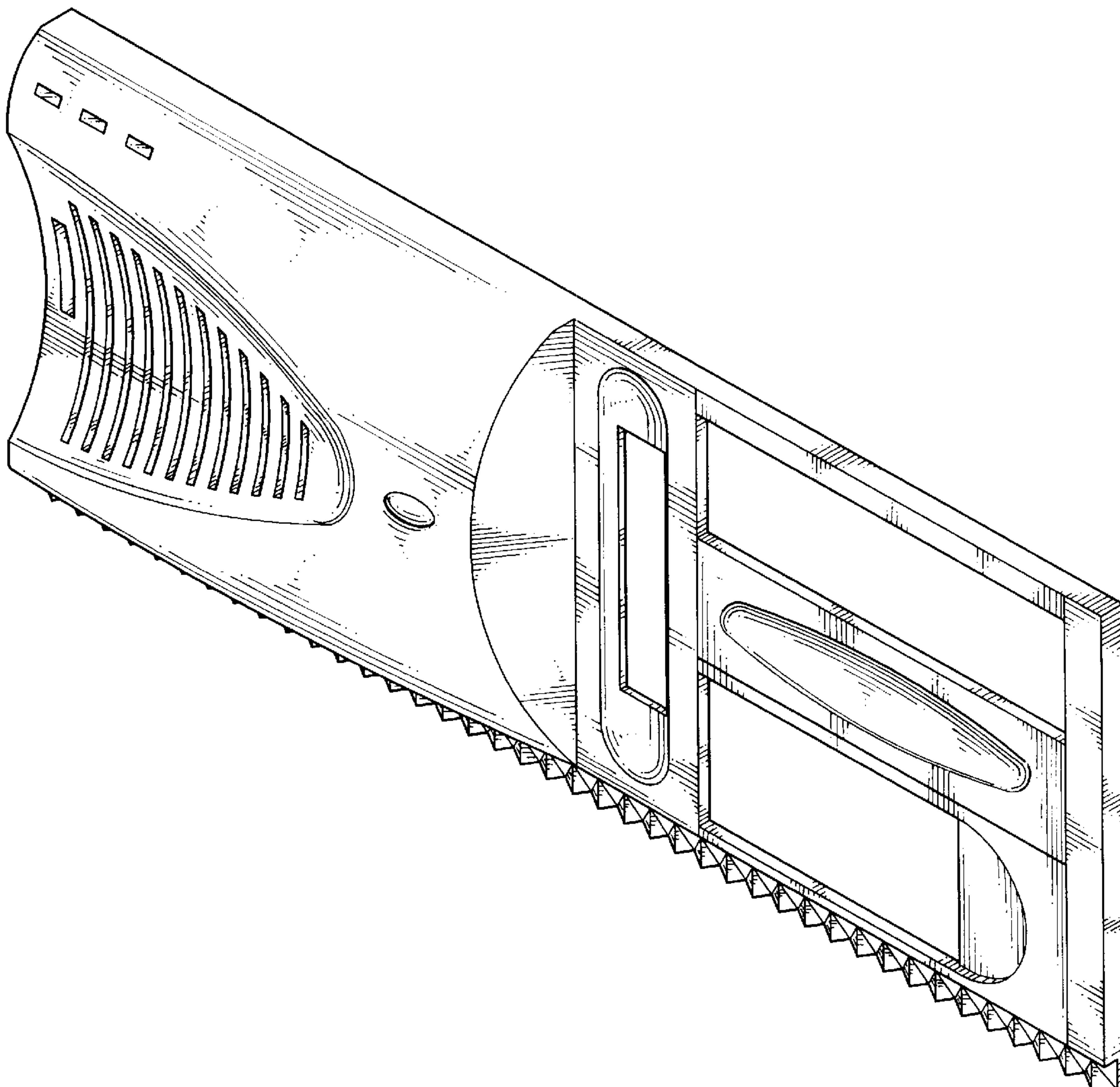
FIG. 7 is a rear elevational view thereof.

[56] References Cited

U.S. PATENT DOCUMENTS

D. 363,479 10/1995 Tinsley, Jr. et al. D14/115

1 Claim, 7 Drawing Sheets



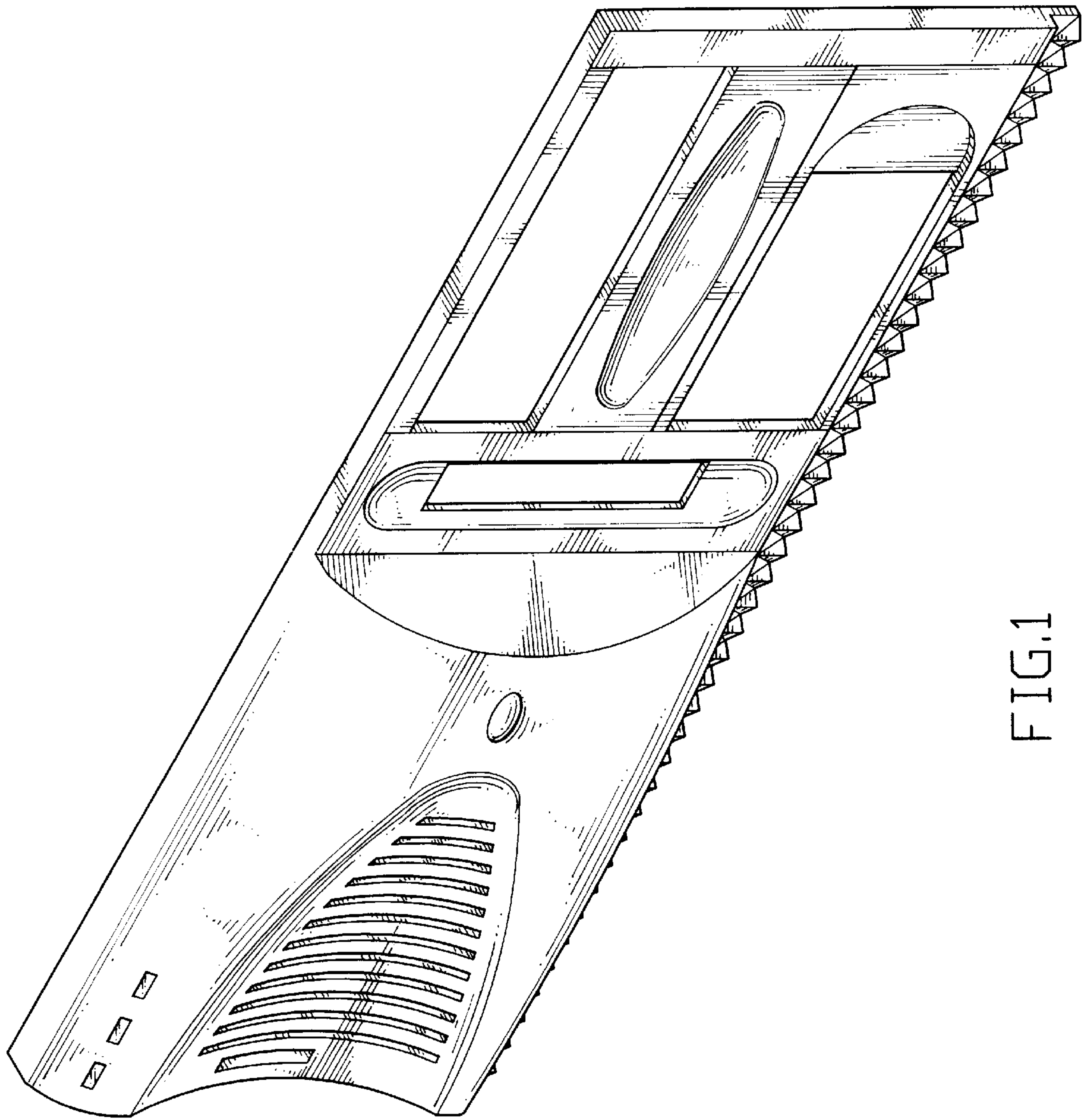


FIG.1

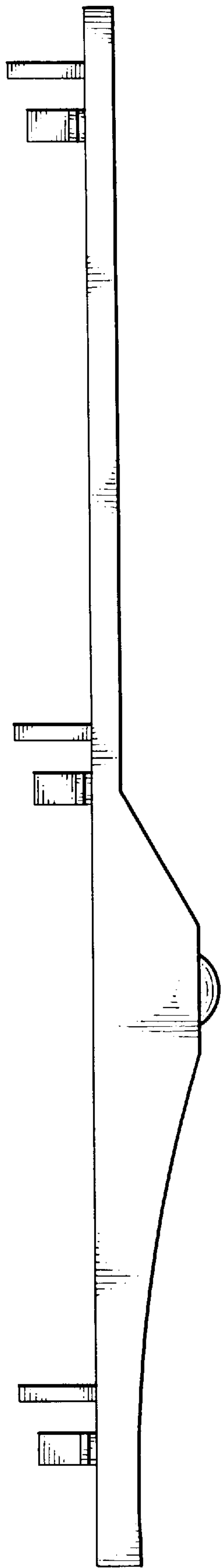


FIG.2

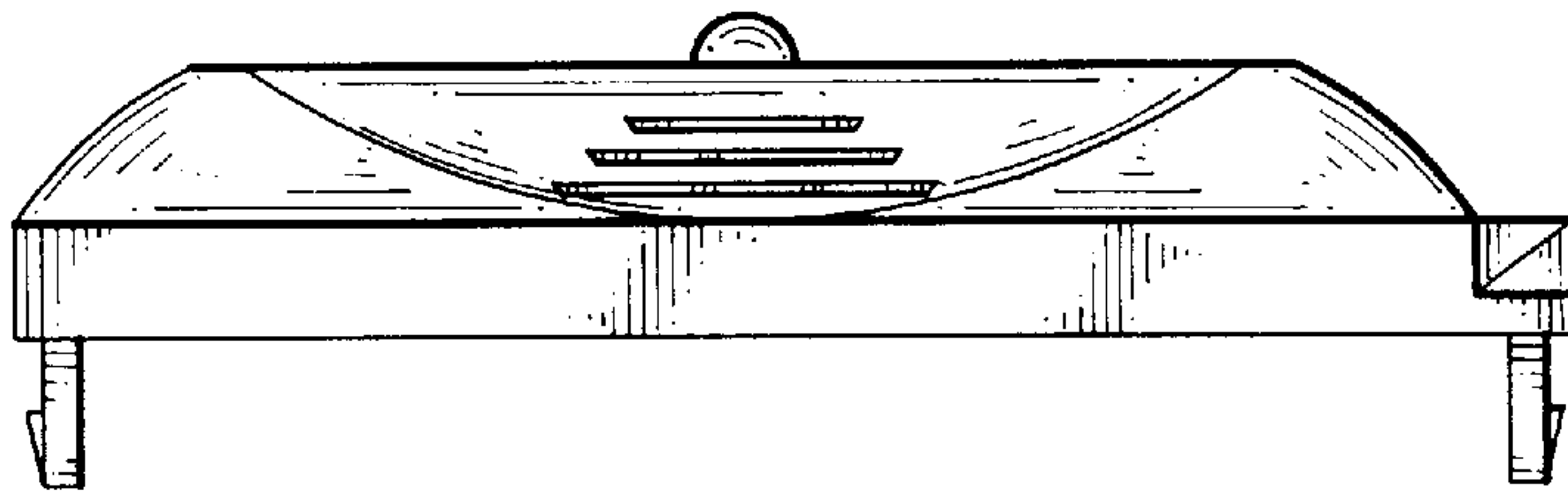


FIG. 3

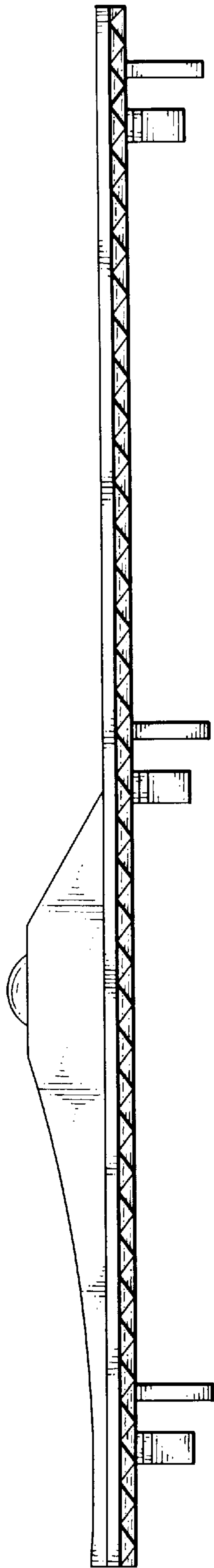


FIG.4

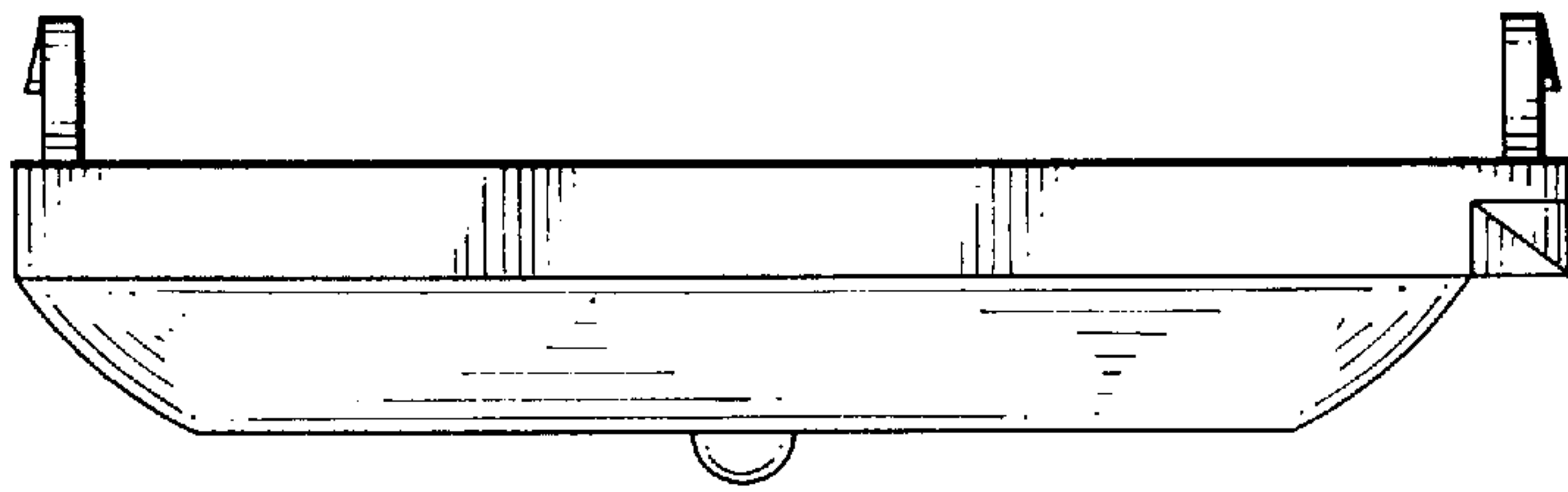


FIG. 5

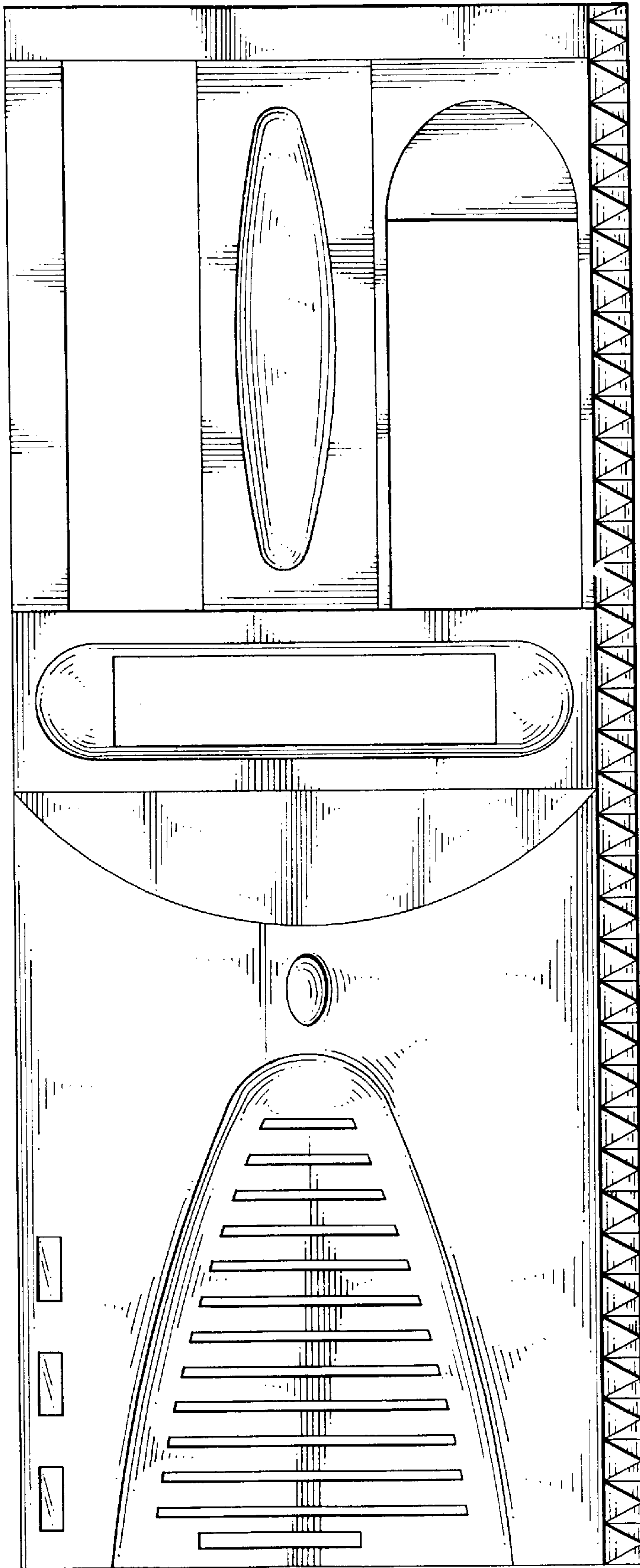


FIG.6

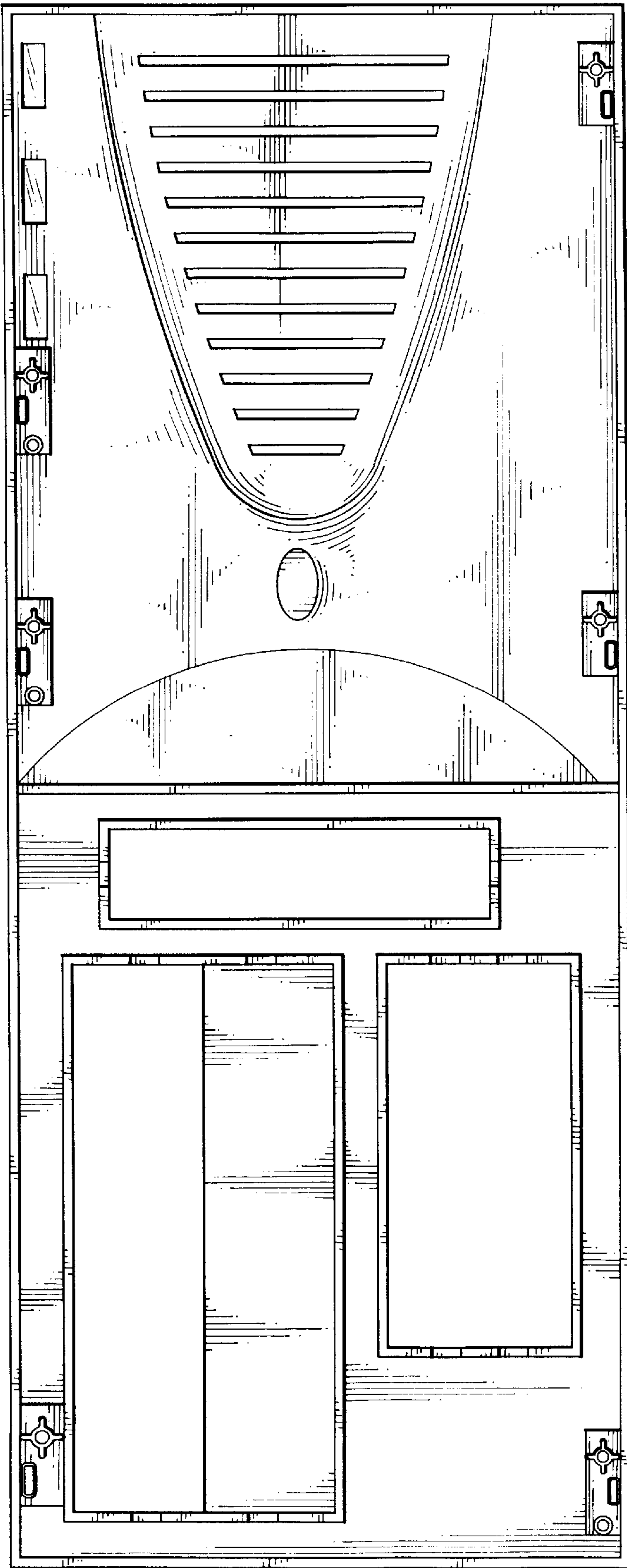


FIG. 7