



US00D403312S

United States Patent [19]
O'Brien et al.

[11] **Patent Number: Des. 403,312**
[45] **Date of Patent: **Dec. 29, 1998**

[54] **CHAIR-MOUNTED MOUSE PAD ASSEMBLY**

[76] Inventors: **Cathy Mishek O'Brien**, 21 Hilltop La.,
Houlton, Wis. 54082; **J. Craig Paulson**,
2909 Itasca, St. Mary's Point, Wis.
55043; **Howard S. Balch**, 2410 Patton
Ave. South, San Pedro, Calif. 90732

[**] Term: **14 Years**

[21] Appl. No.: **69,290**

[22] Filed: **Mar. 25, 1997**

[51] **LOC (6) Cl. 14-02**

[52] **U.S. Cl. D14/114**

[58] **Field of Search** D14/114; D6/582-94;
248/118.1, 917-24, 274.1; 345/156-68;
400/689-93, 715; 428/85, 95, 96, 319.3;
297/188.14, 188.15, 188.16, 188.17

[56] **References Cited**

U.S. PATENT DOCUMENTS

D. 339,799	9/1993	Allen	D14/114
D. 365,342	12/1995	Evenson et al.	D14/114
D. 368,081	3/1996	Comley	D14/114
D. 374,000	9/1996	Wood et al. .	
D. 376,590	12/1996	Kao et al.	D14/114
D. 376,791	12/1996	Schreiner	D14/114
D. 380,462	7/1997	Wilson	D14/114
5,022,706	6/1991	Bryan .	
5,058,840	10/1991	Moss et al. .	

5,119,742	6/1992	Simmie .
5,190,387	3/1993	Auth .
5,311,210	5/1994	O'Brien et al. .
5,433,407	7/1995	Rice .
5,490,647	2/1996	Rice .
5,490,710	2/1996	Dearing et al. .
5,547,154	8/1996	Kirchhoff et al. .
5,565,891	10/1996	Armstrong .

Primary Examiner—M. H. Tung

[57] **CLAIM**

The ornamental design for a chair-mounted mouse pad assembly, as shown and described.

DESCRIPTION

FIG. 1 is a top perspective view of a chair-mounted mouse pad assembly showing our new design, the broken line drawing of a portion of a chair is for illustrative purposes only and forms no part of the claimed design;

FIG. 2 is a right side view thereof;

FIG. 3 is a left side view thereof;

FIG. 4 is a front view thereof;

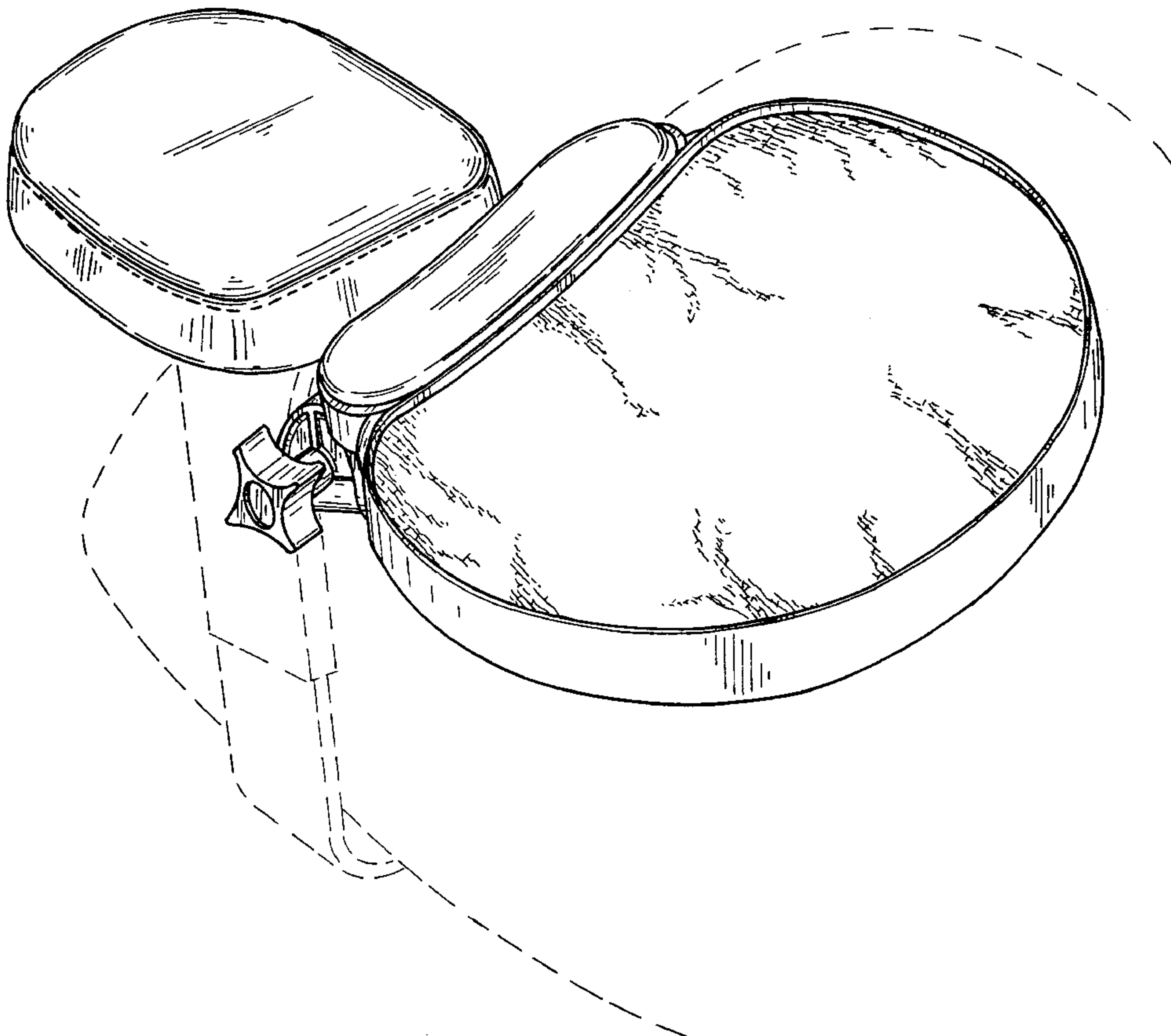
FIG. 5 is a rear view thereof;

FIG. 6 is a top view thereof; and,

FIG. 7 is a bottom view thereof.

The broken lines around the top edge of the smaller cushion in FIGS. 1, 2, 3, and 5 and around the bottom edge of the smaller cushion in FIG. 7 represent stitching which are a part of the claimed design.

1 Claim, 7 Drawing Sheets



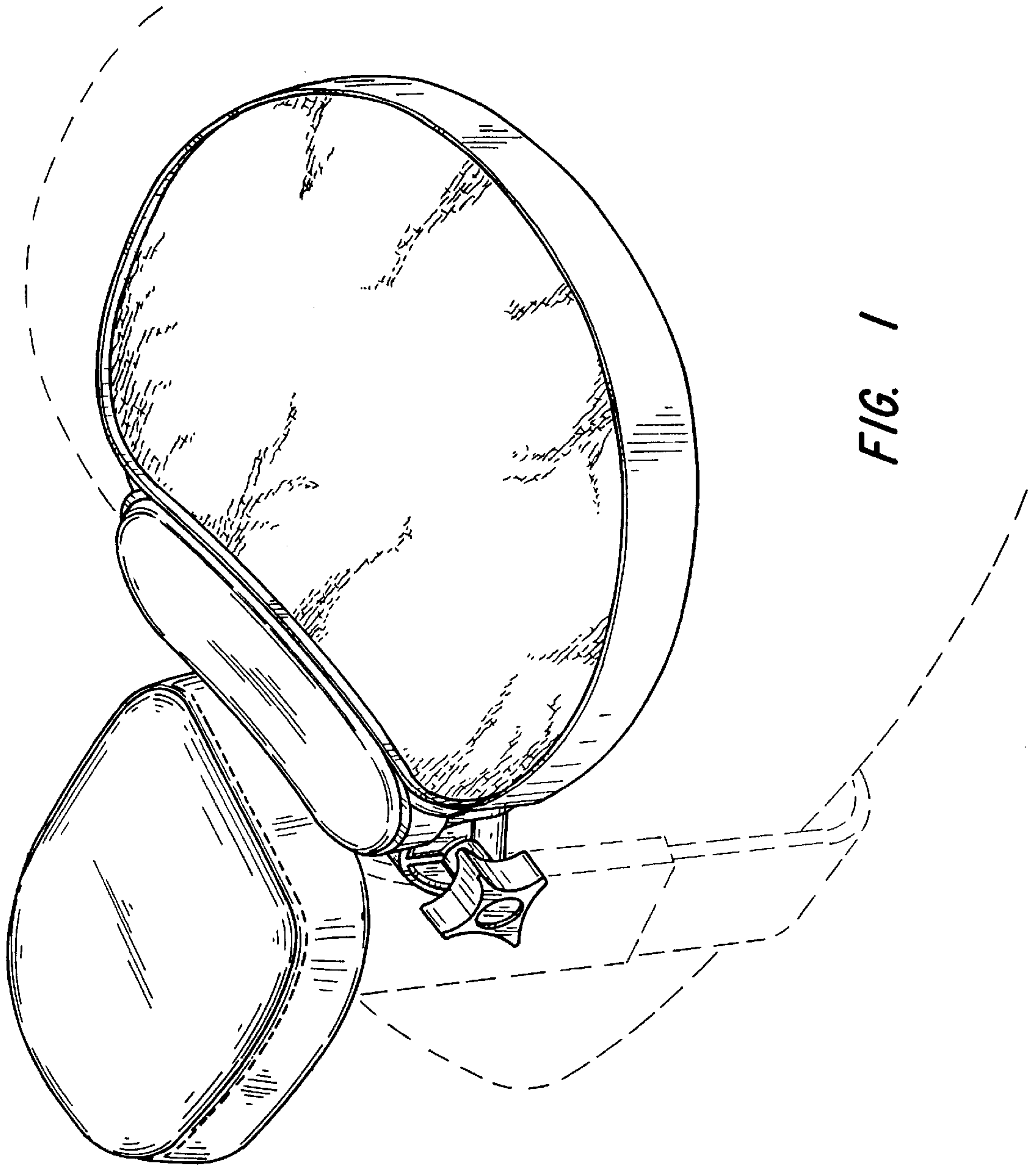


FIG. 1

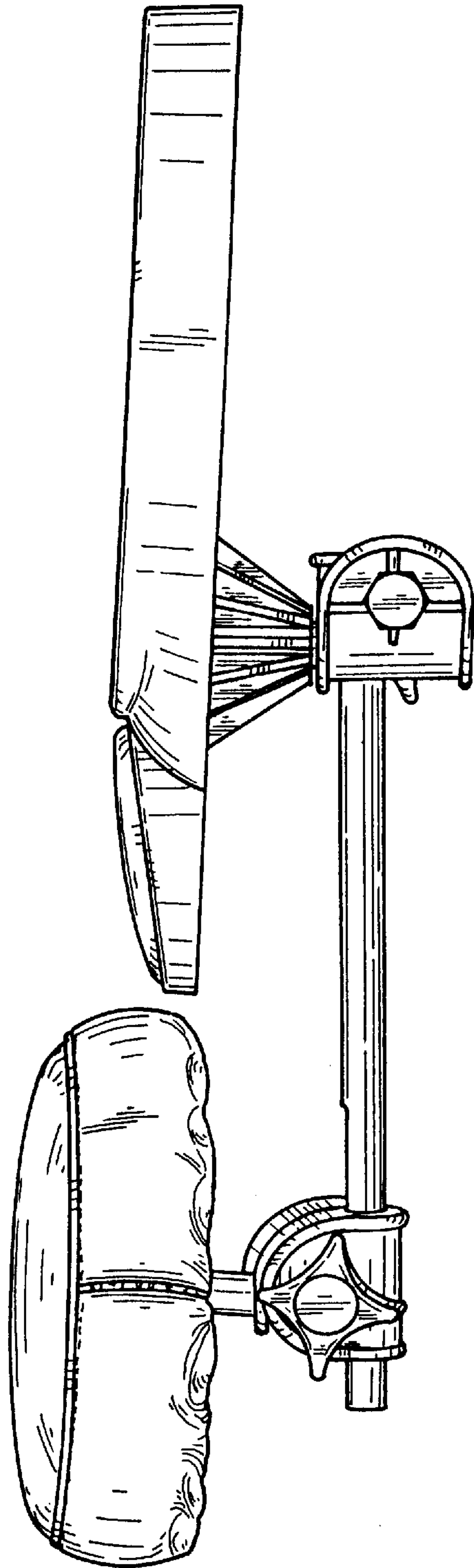


FIG. 2

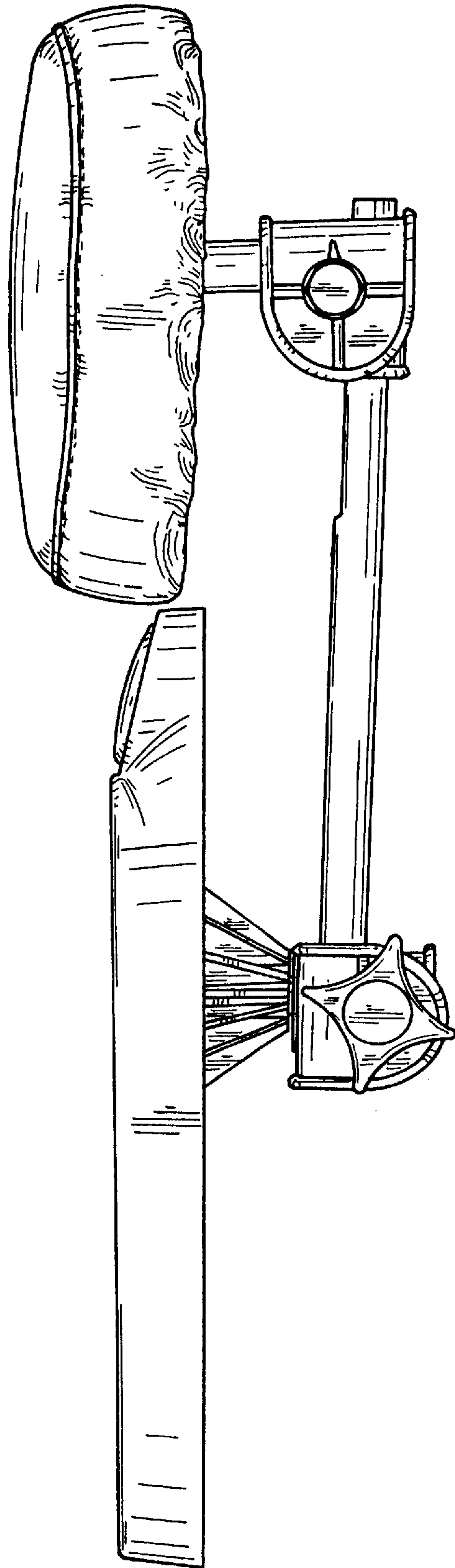


FIG. 3

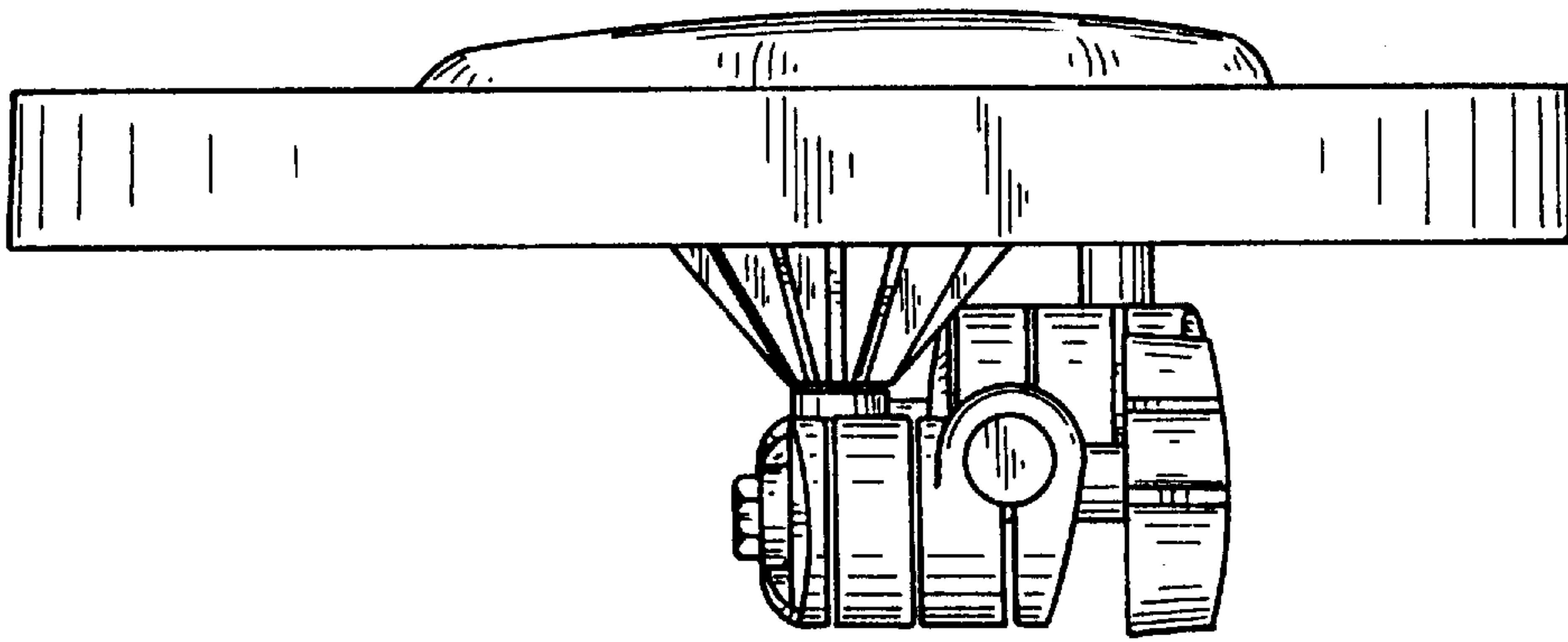


FIG. 4

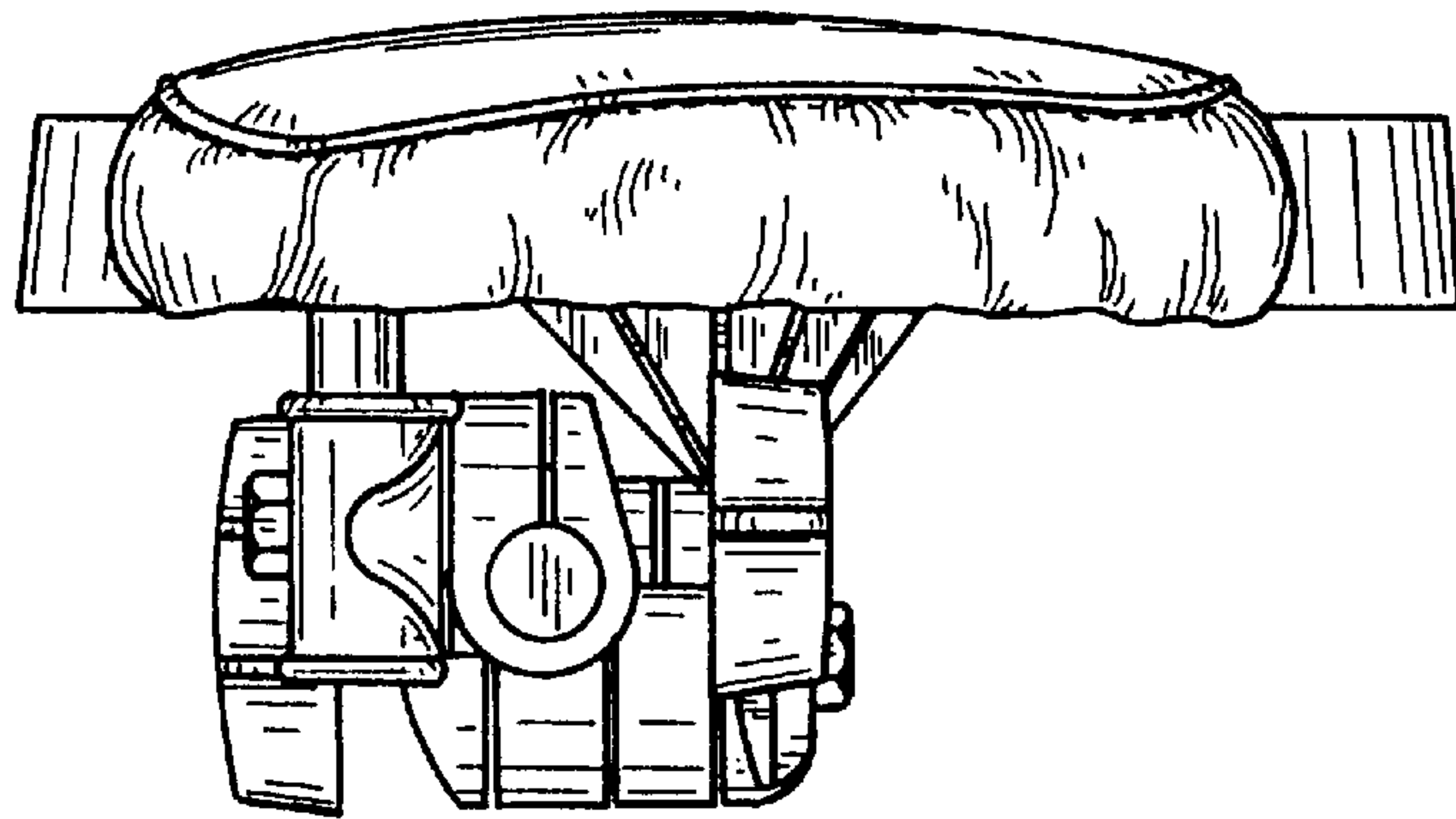


FIG. 5

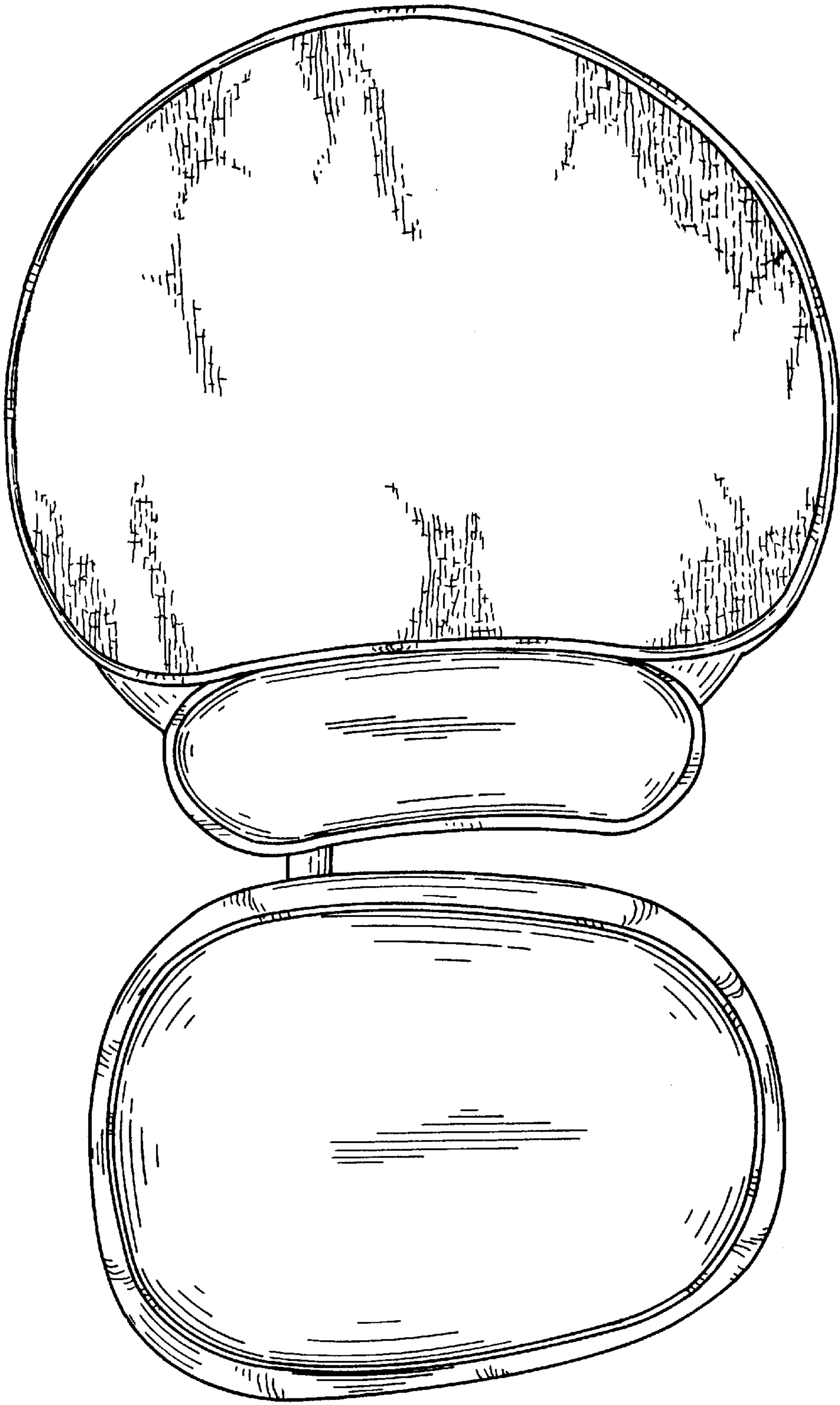


FIG. 6

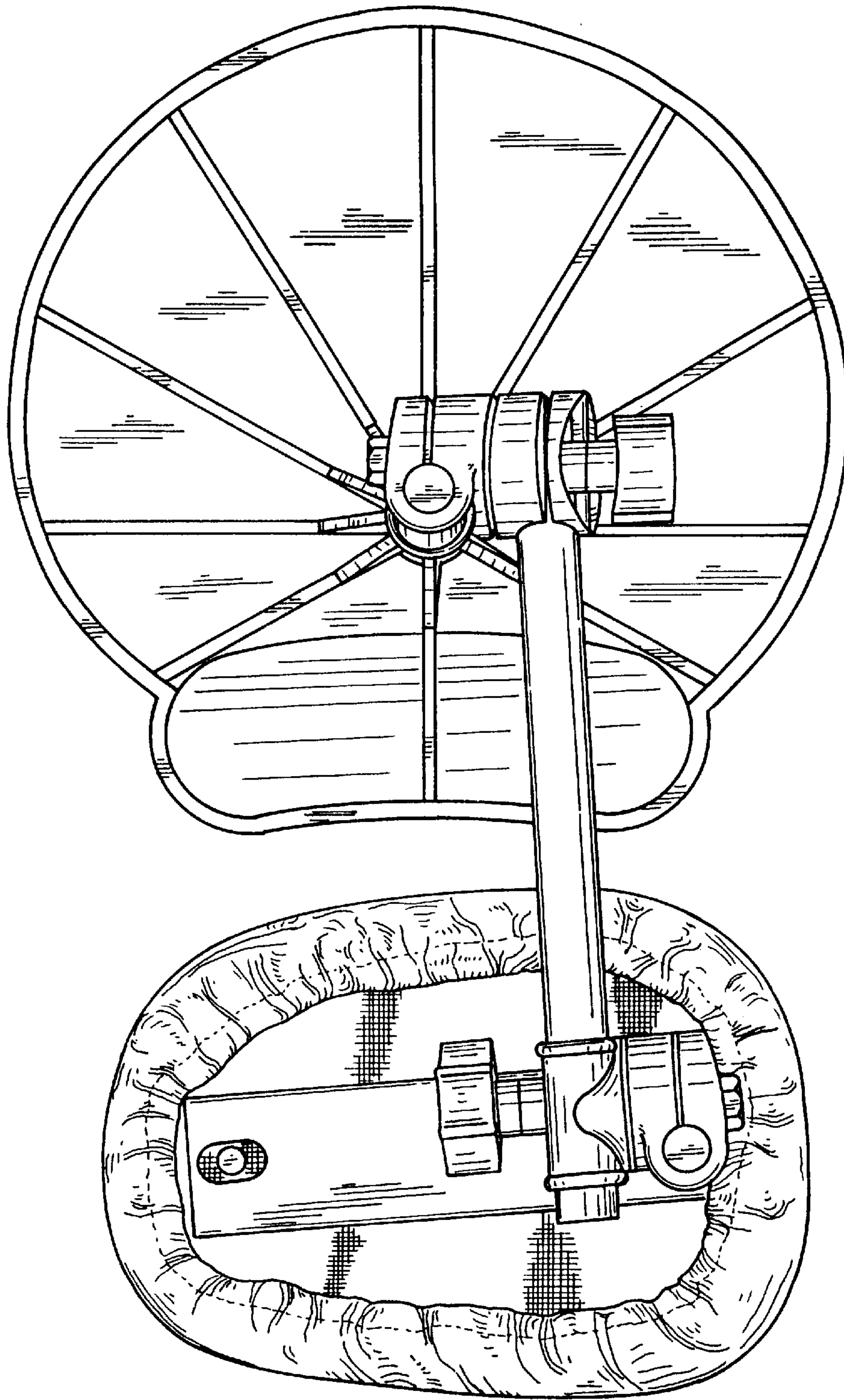


FIG. 7