



US00D403311S

United States Patent [19]

Couch et al.

[11] **Patent Number: Des. 403,311**

[45] **Date of Patent: **Dec. 29, 1998**

[54] **MOUSE CONTROLLER**

[75] Inventors: **John D. Couch**, San Jose; **Sara Mason Richmond**, Foster City, both of Calif.

[73] Assignee: **Sega of America, Inc.**, Redwood City, Calif.

[**] Term: **14 Years**

[21] Appl. No.: **27,819**

[22] Filed: **Aug. 30, 1994**

[51] **LOC (6) Cl. 14-02**

[52] **U.S. Cl. D14/114**

[58] **Field of Search** D14/100, 114;
D13/158; D21/48; 179/18-9; 200/5 R, 5 A,
6 R, 6 A; 213/148 B; 273/148 B, 438;
345/156-67; 74/471 XY

[56] **References Cited**

U.S. PATENT DOCUMENTS

- D. 302,426 7/1989 Bradley et al. D14/114
- D. 313,981 1/1991 Yang D14/114

- D. 328,597 8/1992 Clouss D14/114
- D. 330,706 11/1992 San-Yih D14/114
- D. 340,924 11/1993 Tso D14/114
- D. 350,737 9/1994 Chen D14/114

Primary Examiner—M. H. Tung
Attorney, Agent, or Firm—Dergosits & Noah LLP

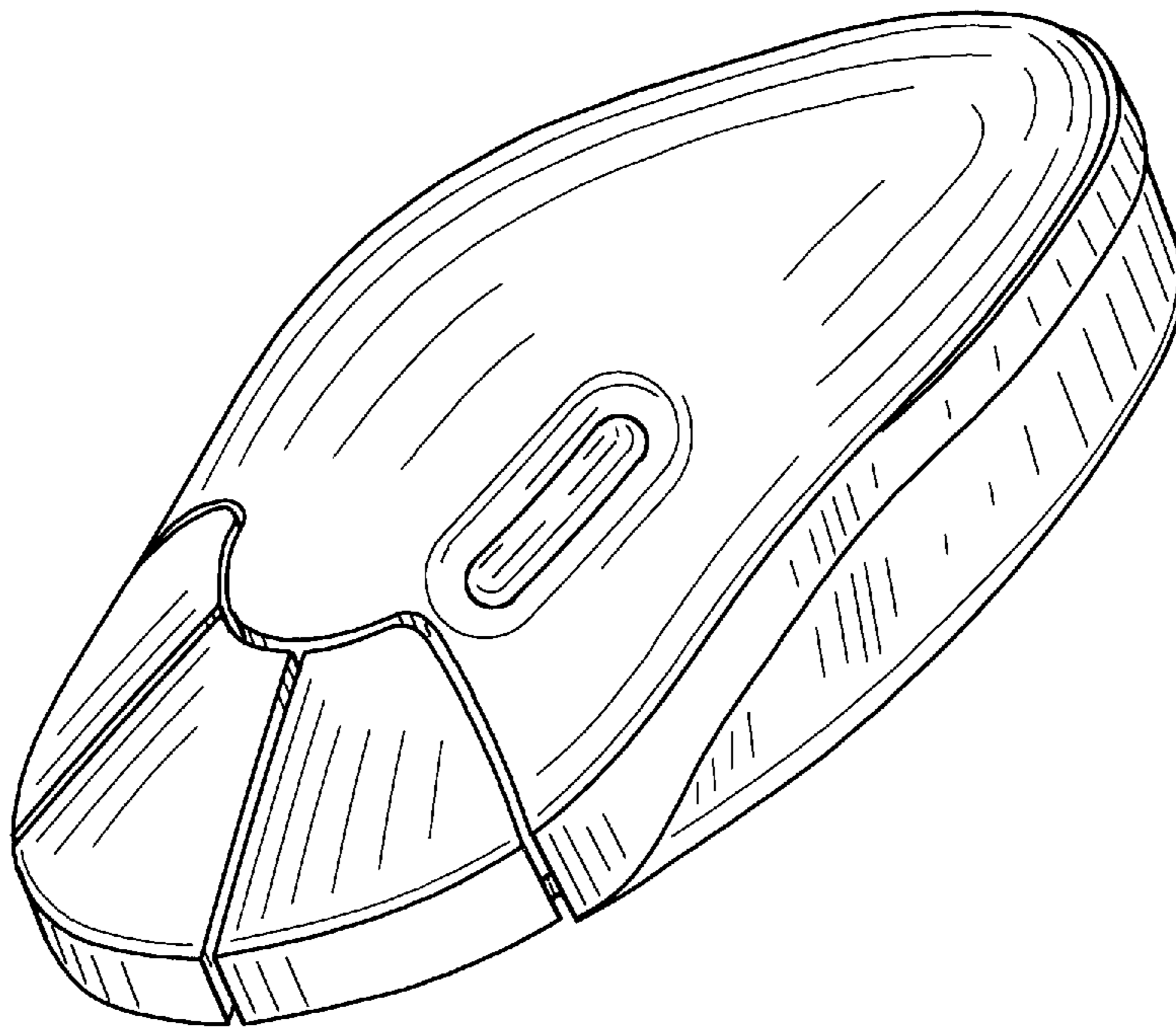
[57] **CLAIM**

The ornamental design for a mouse controller, as shown and described.

DESCRIPTION

FIG. 1 is a top, rear and right side perspective view of a mouse controller showing our new design;
FIG. 2 is a top, rear and left side perspective view of the mouse controller showing our new design;
FIG. 3 is a top plan view thereof;
FIG. 4 is a side elevational view thereof;
FIG. 5 is a bottom plan view thereof;
FIG. 6 is a front elevational view thereof;
FIG. 7 is an opposite side elevational view thereof; and,
FIG. 8 is a rear elevational view thereof.

1 Claim, 3 Drawing Sheets



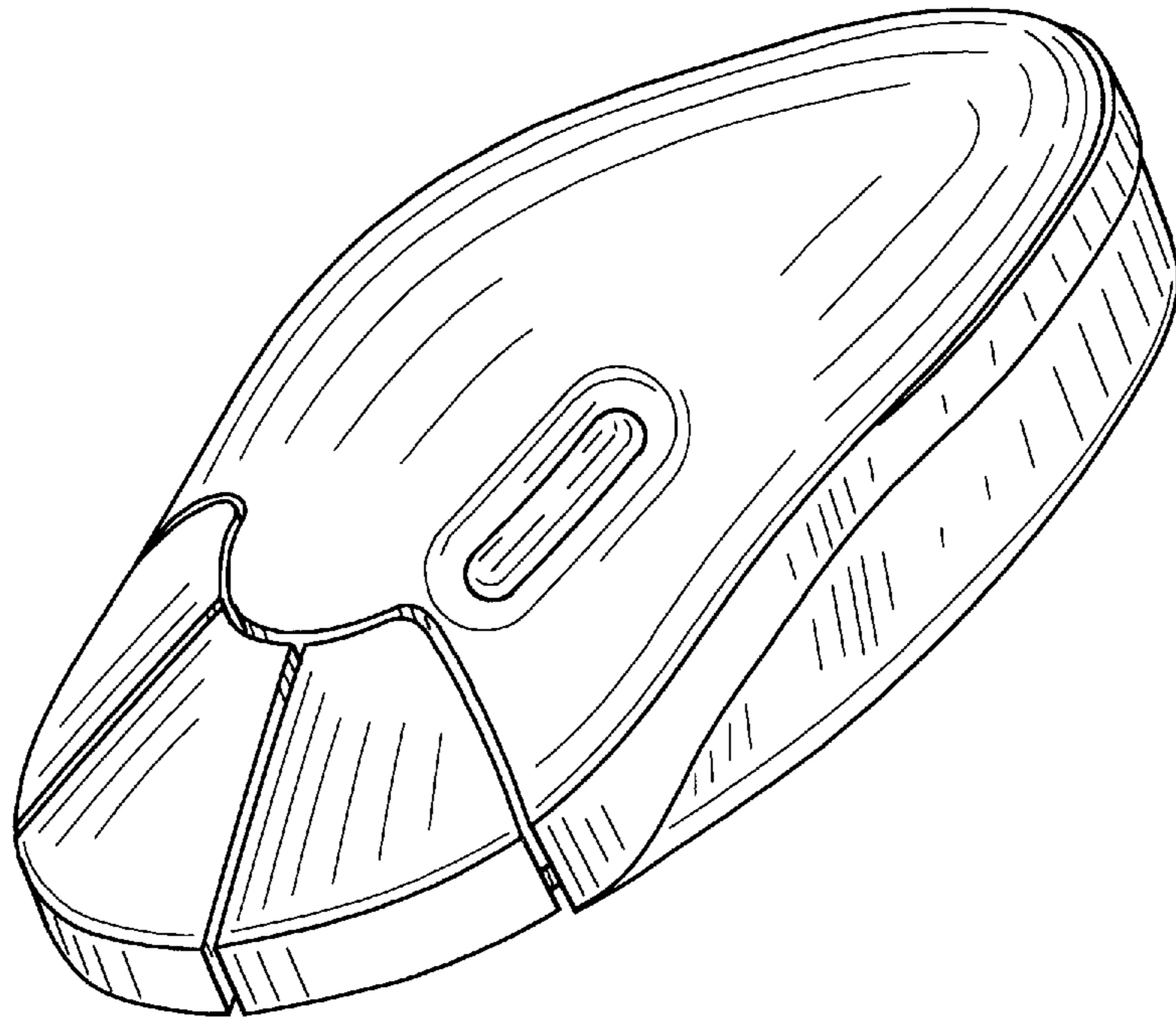


FIG. 1

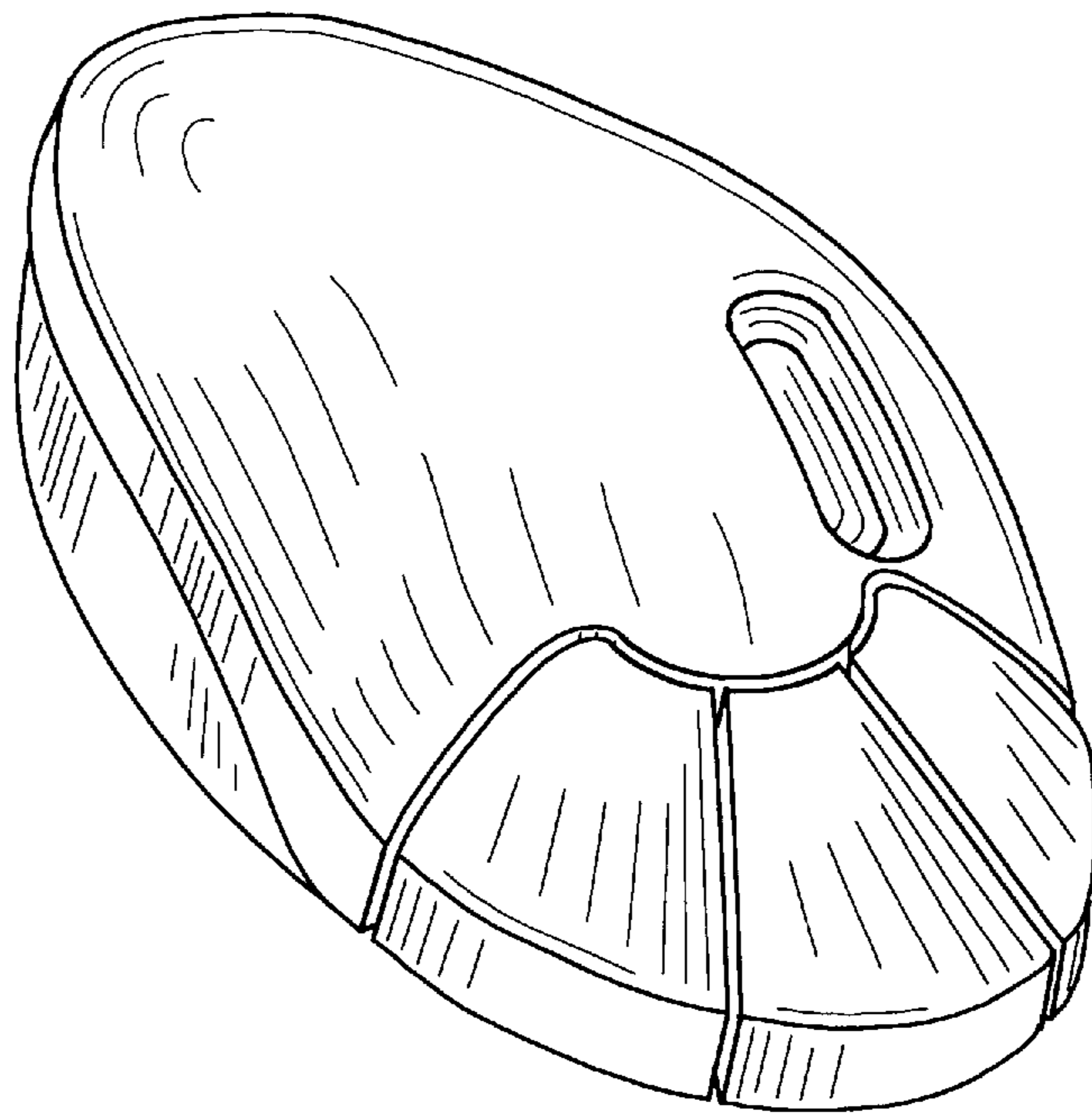


FIG. 2

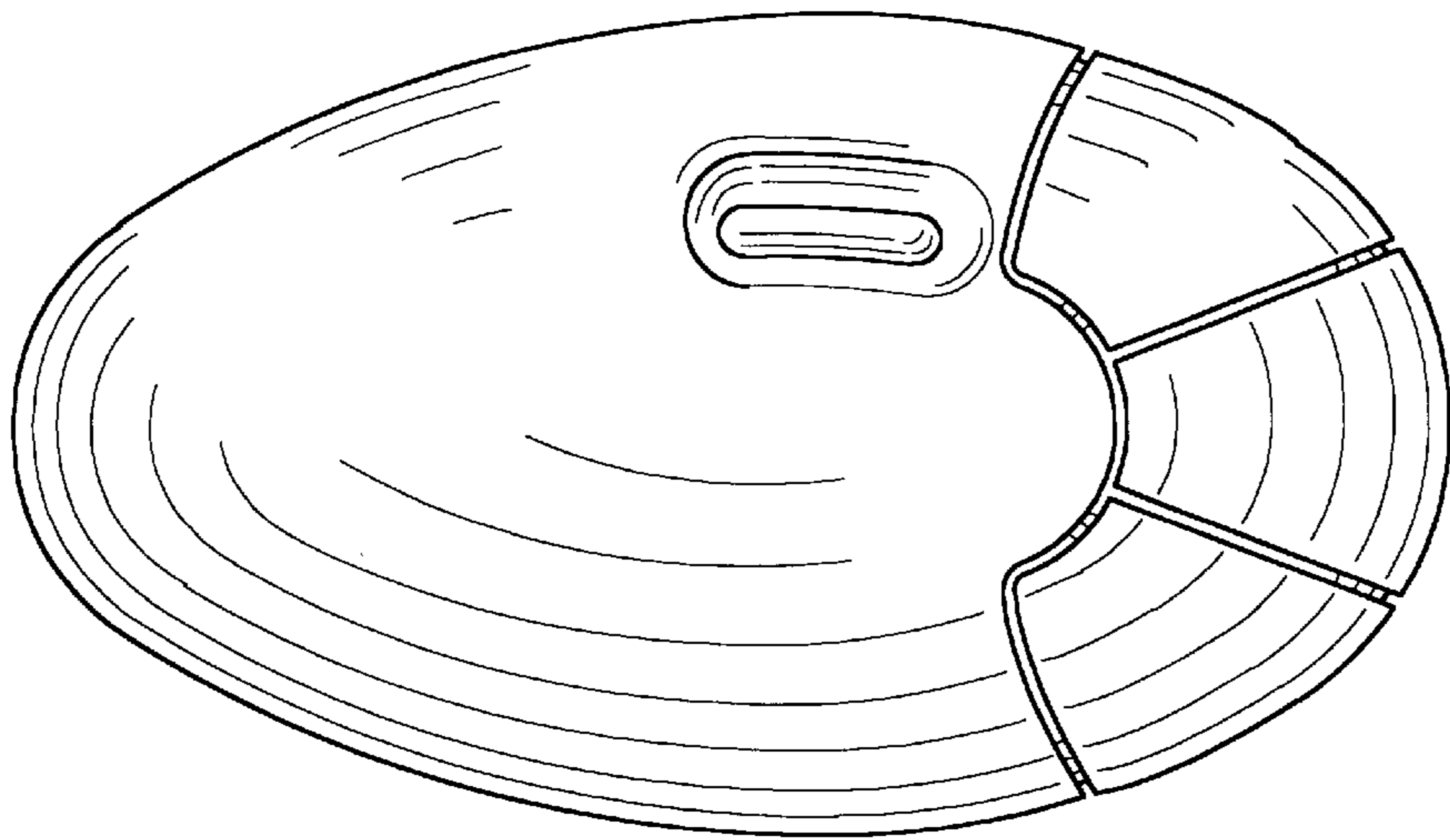


FIG. 3

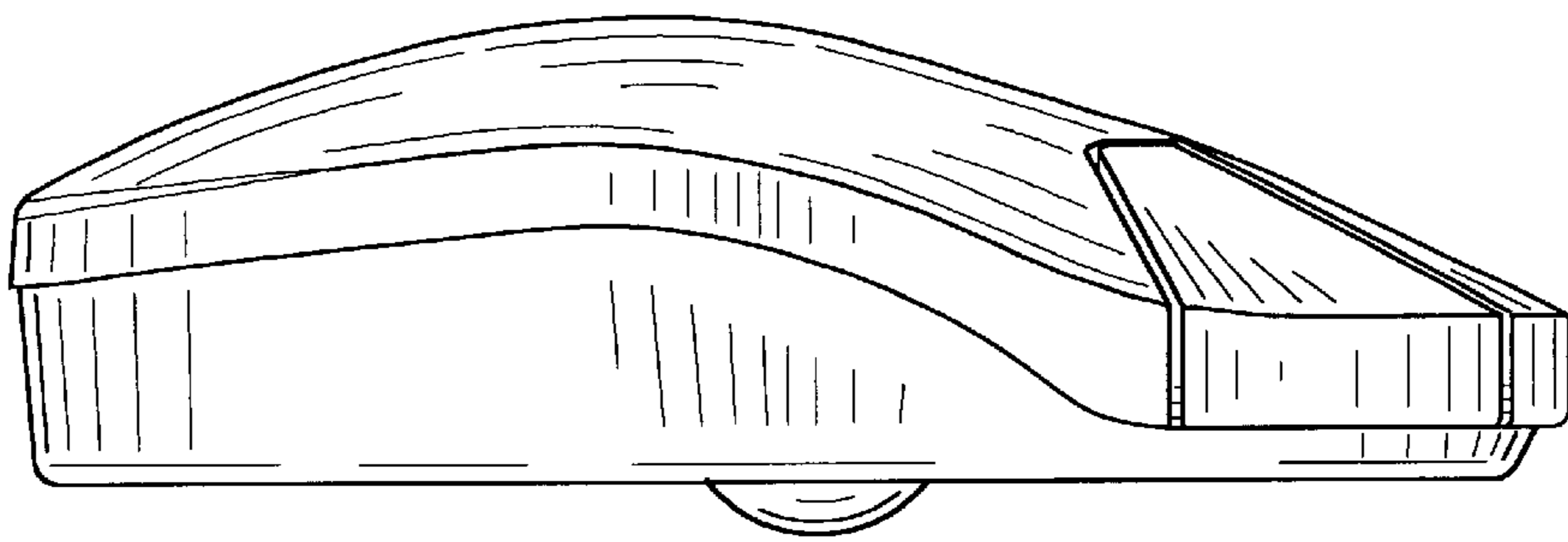


FIG. 4

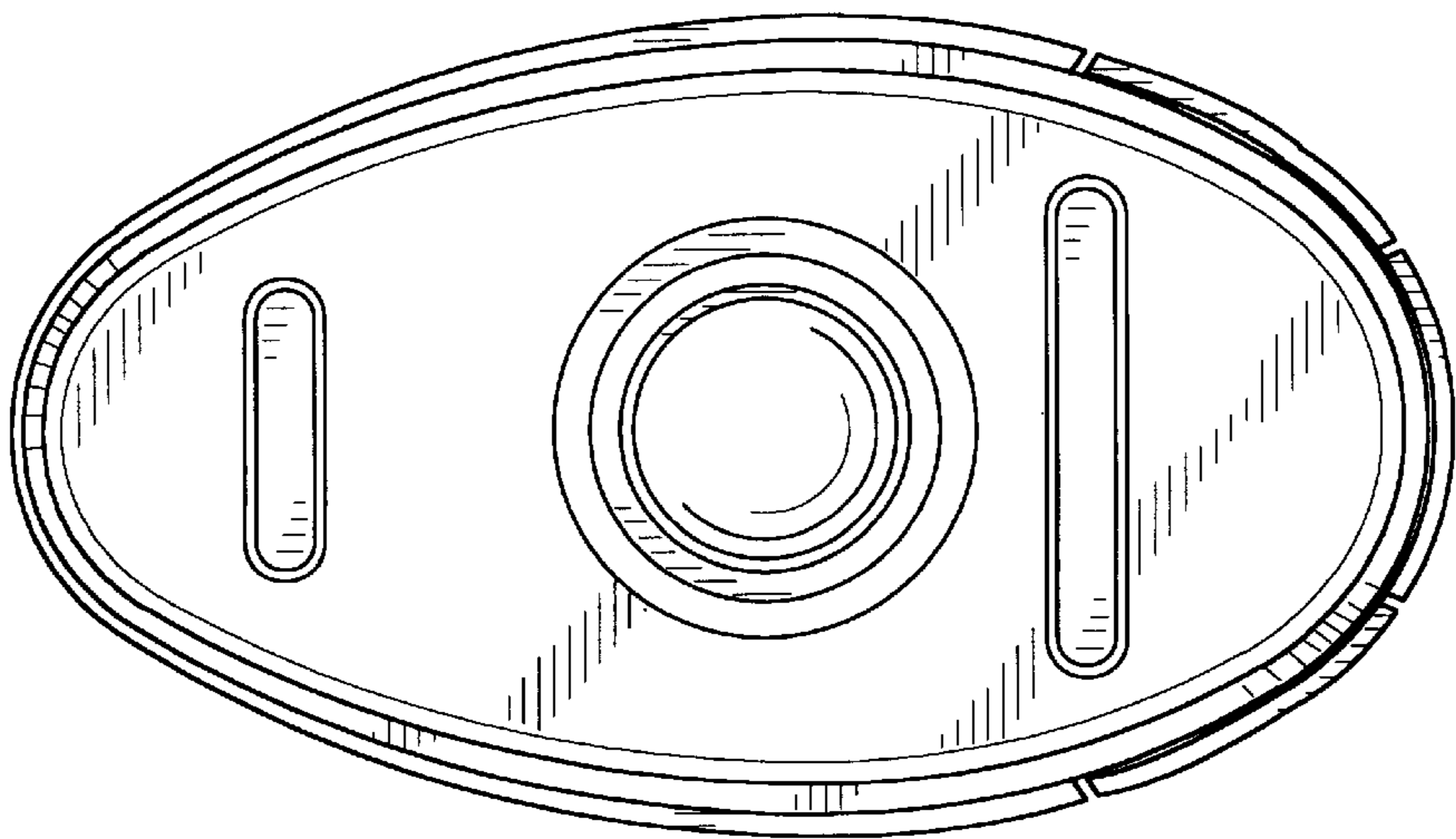


FIG. 5

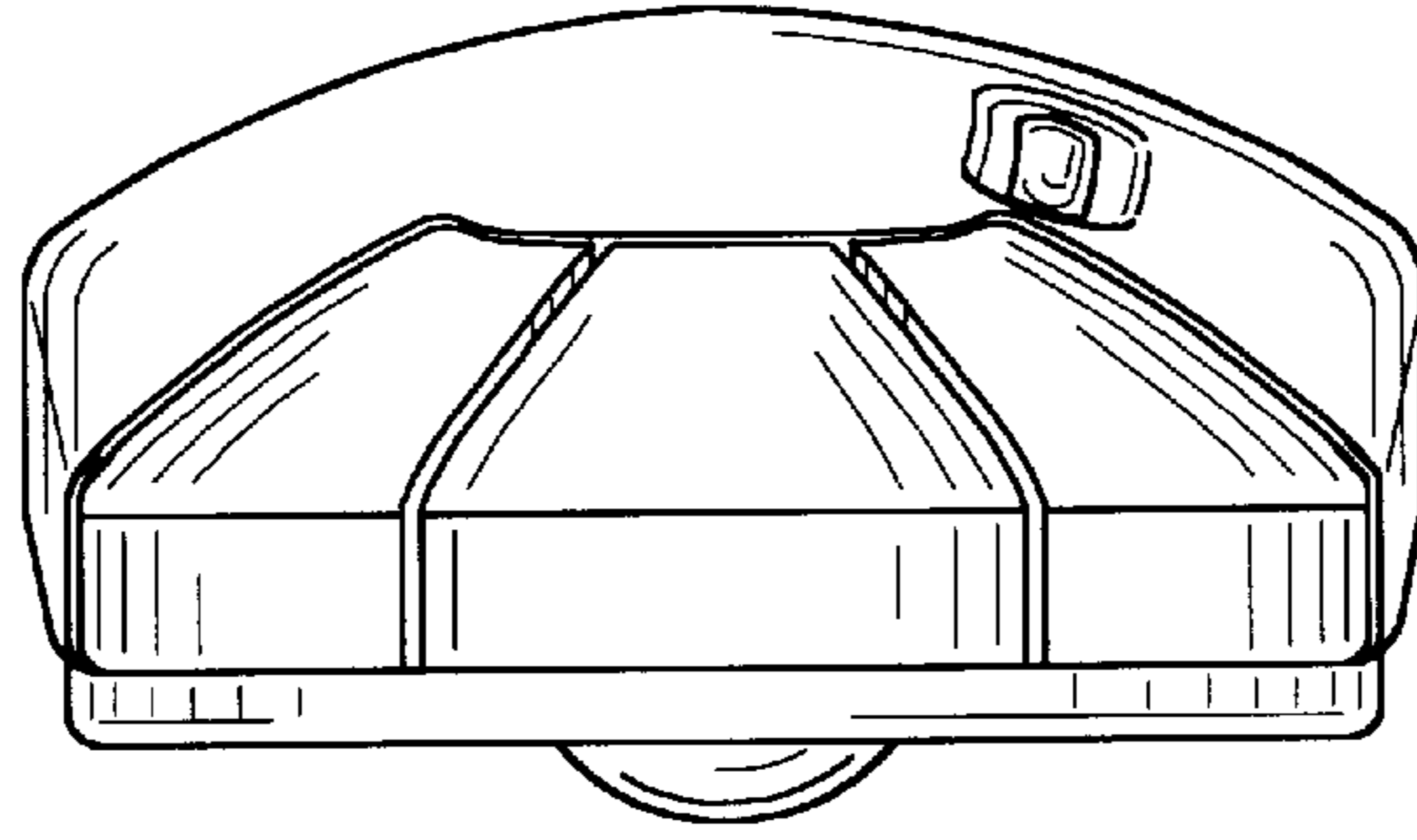


FIG. 6

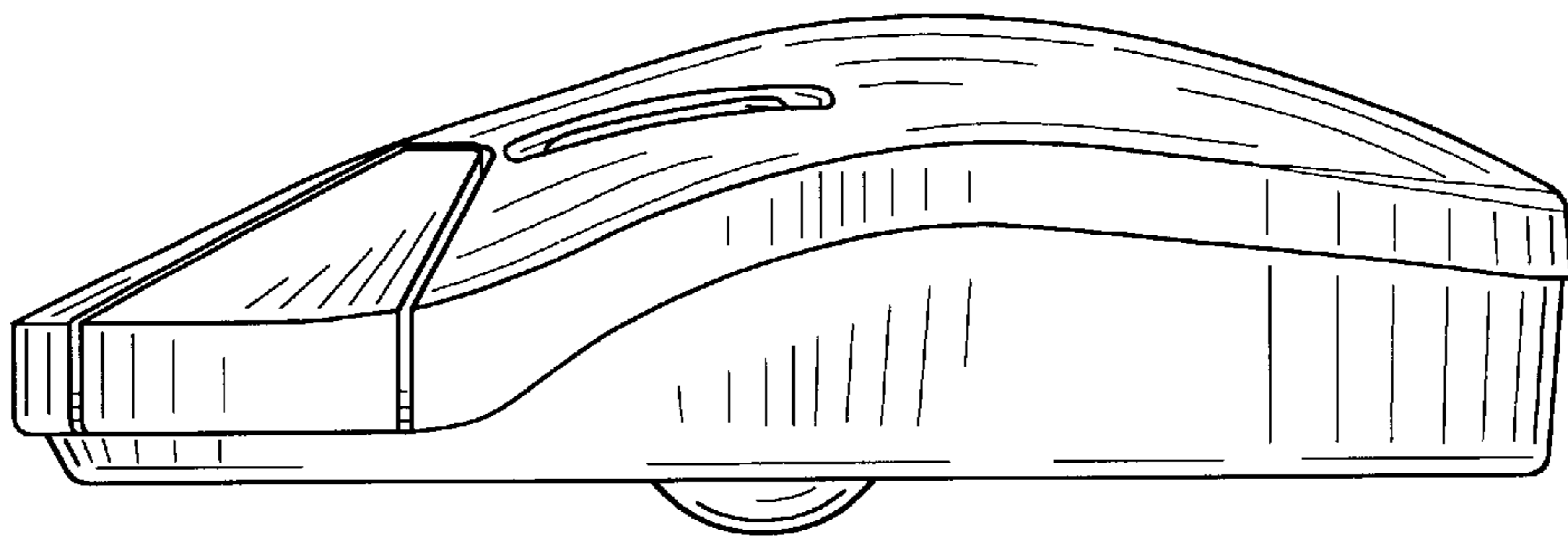


FIG. 7

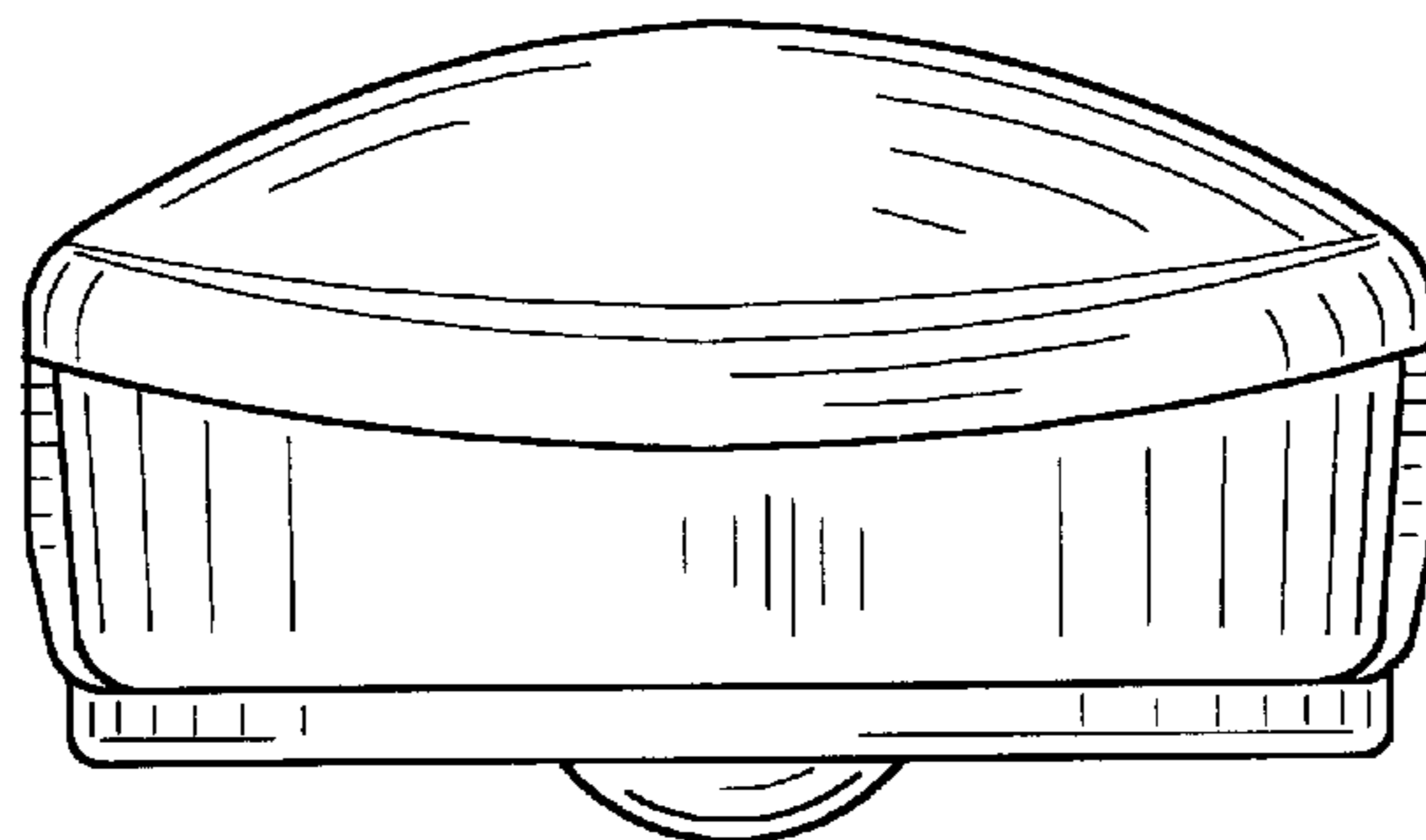


FIG. 8