



US00D403310S

United States Patent [19] Takemasa

[11] **Patent Number: Des. 403,310**

[45] **Date of Patent: **Dec. 29, 1998**

[54] **COMPUTER DISPLAY**

OTHER PUBLICATIONS

[75] Inventor: **Hirofumi Takemasa**, Osaka, Japan

Official Gazette, Jan. 21, 1997, p. 2231 showing U.S. Patent No. Des. 377,483.

[73] Assignee: **Matsushita Electric Industrial Co., Ltd.**, Japan

Primary Examiner—Freda Nunn
Attorney, Agent, or Firm—Saidman DesignLaw Group

[**] Term: **14 Years**

[57] **CLAIM**

[21] Appl. No.: **79,193**

The ornamental design for a computer display, as shown and described.

[22] Filed: **Oct. 29, 1997**

[30] **Foreign Application Priority Data**

DESCRIPTION

May 16, 1997 [JP] Japan 9-54649

FIG. 1 is a perspective view of the top, front and right side of a computer display showing my new design;
FIG. 2 is a front elevational view thereof;
FIG. 3 is a top plan view thereof;
FIG. 4 is a right side view thereof;
FIG. 5 is a left side view thereof;
FIG. 6 is a rear elevational view thereof; and,
FIG. 7 is a bottom view thereof.

[51] **LOC (6) Cl.** **14-02**

[52] **U.S. Cl.** **D14/113; D14/126**

[58] **Field of Search** D14/100, 101,
D14/113, 124-129; 345/104, 133, 156,
168, 173; 248/917-924

[56] **References Cited**

U.S. PATENT DOCUMENTS

D. 377,484 1/1997 Onuma et al. D14/113

1 Claim, 4 Drawing Sheets

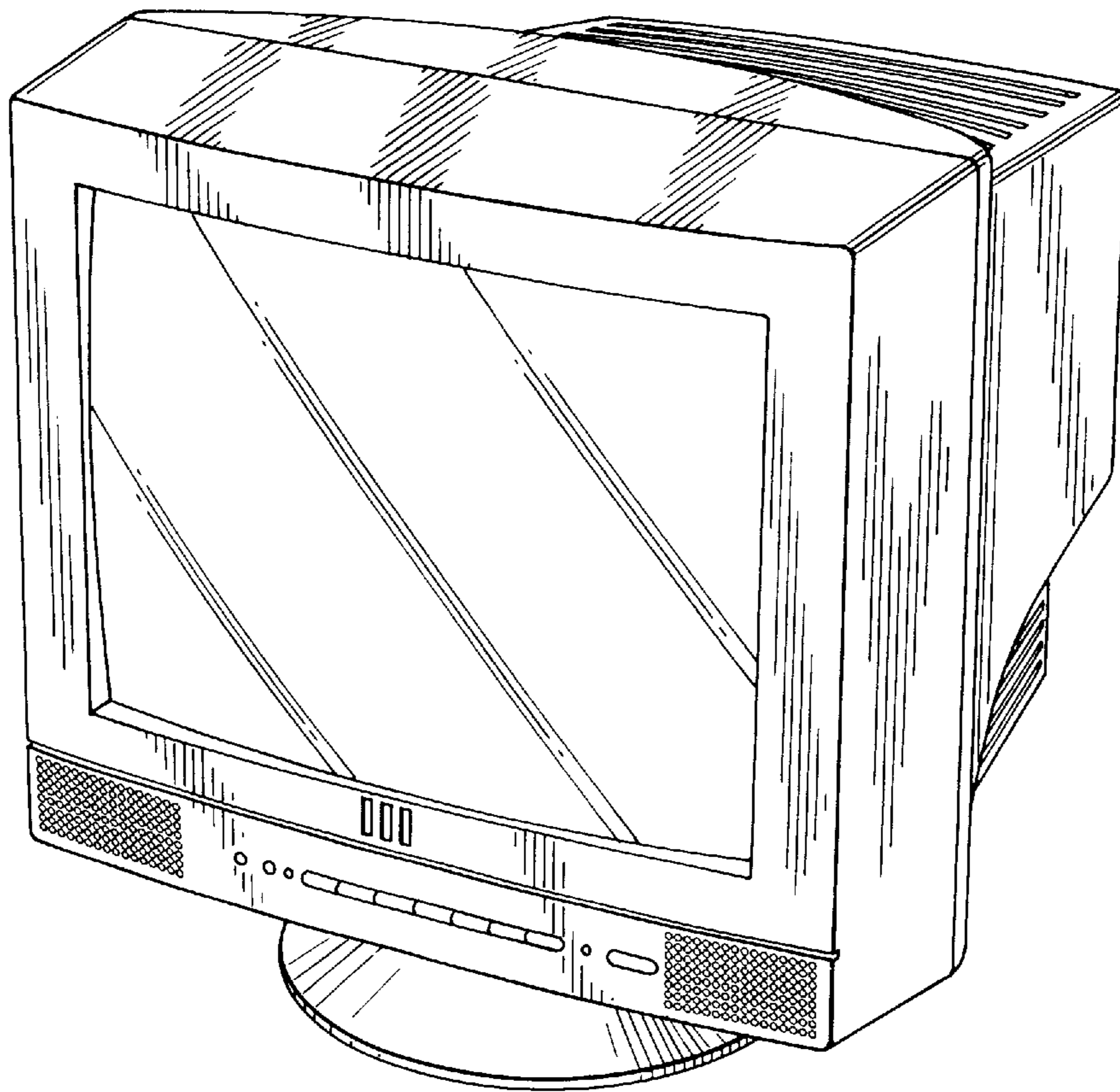


FIG. 1

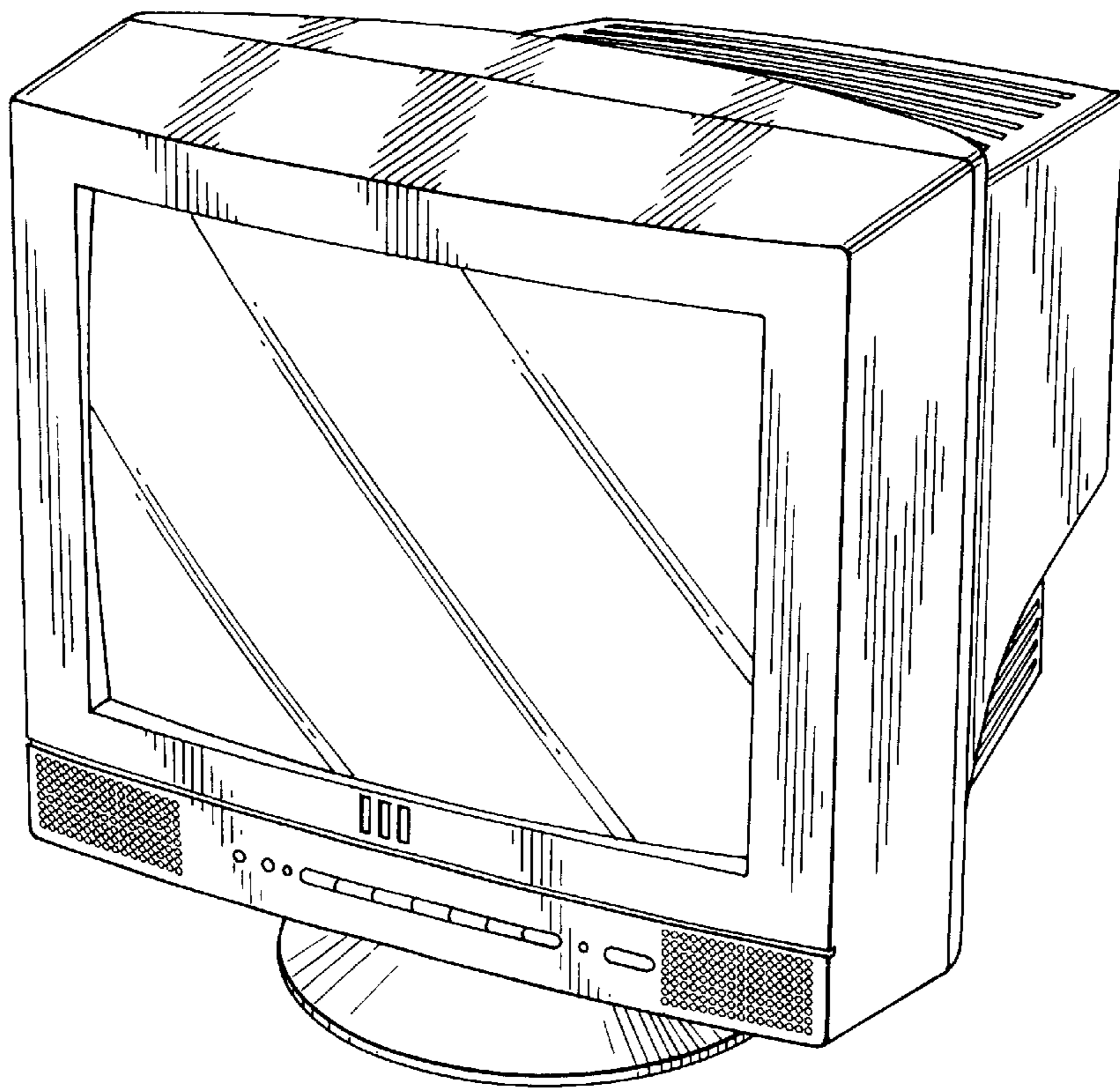


FIG. 2

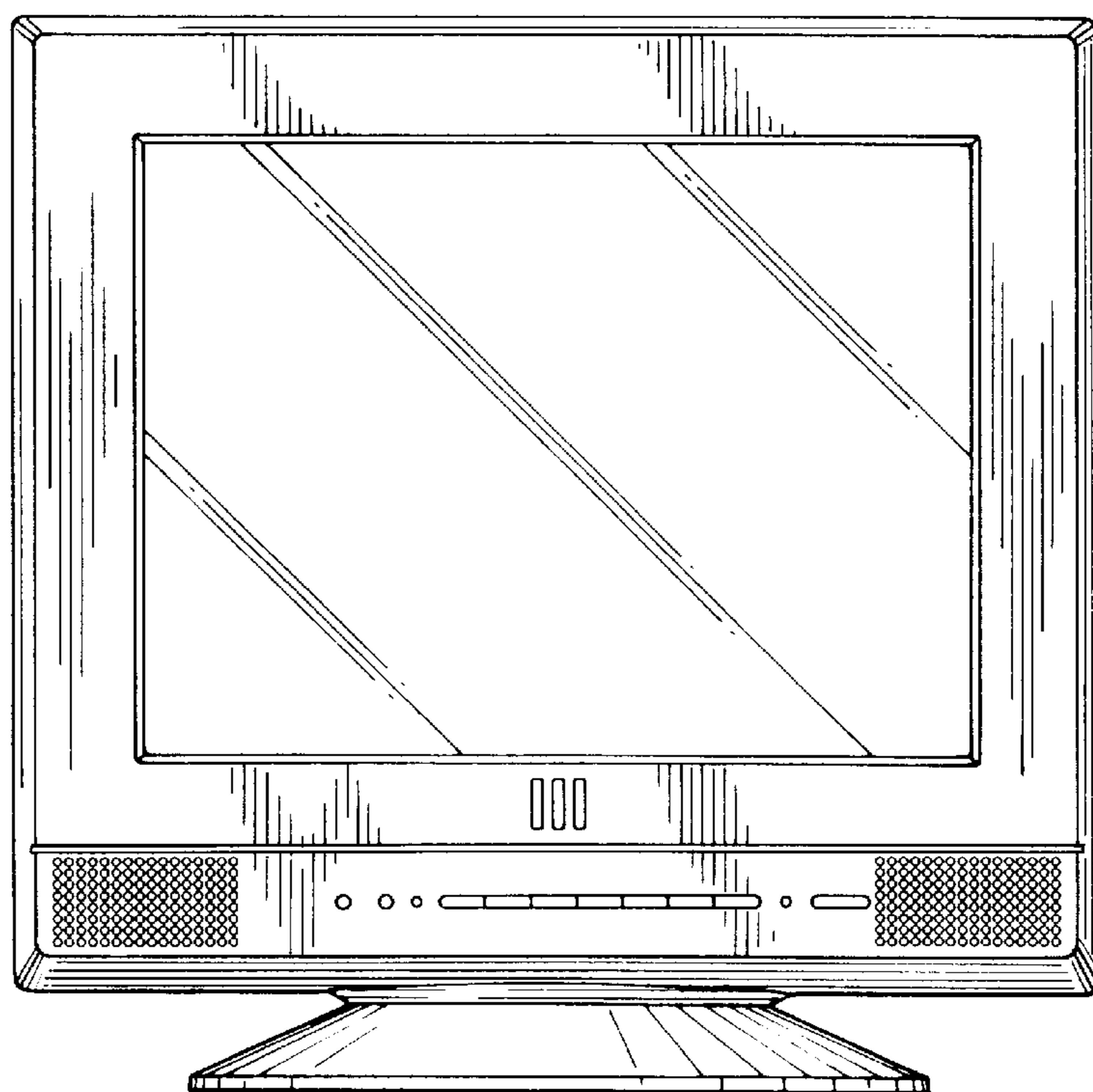


FIG. 3

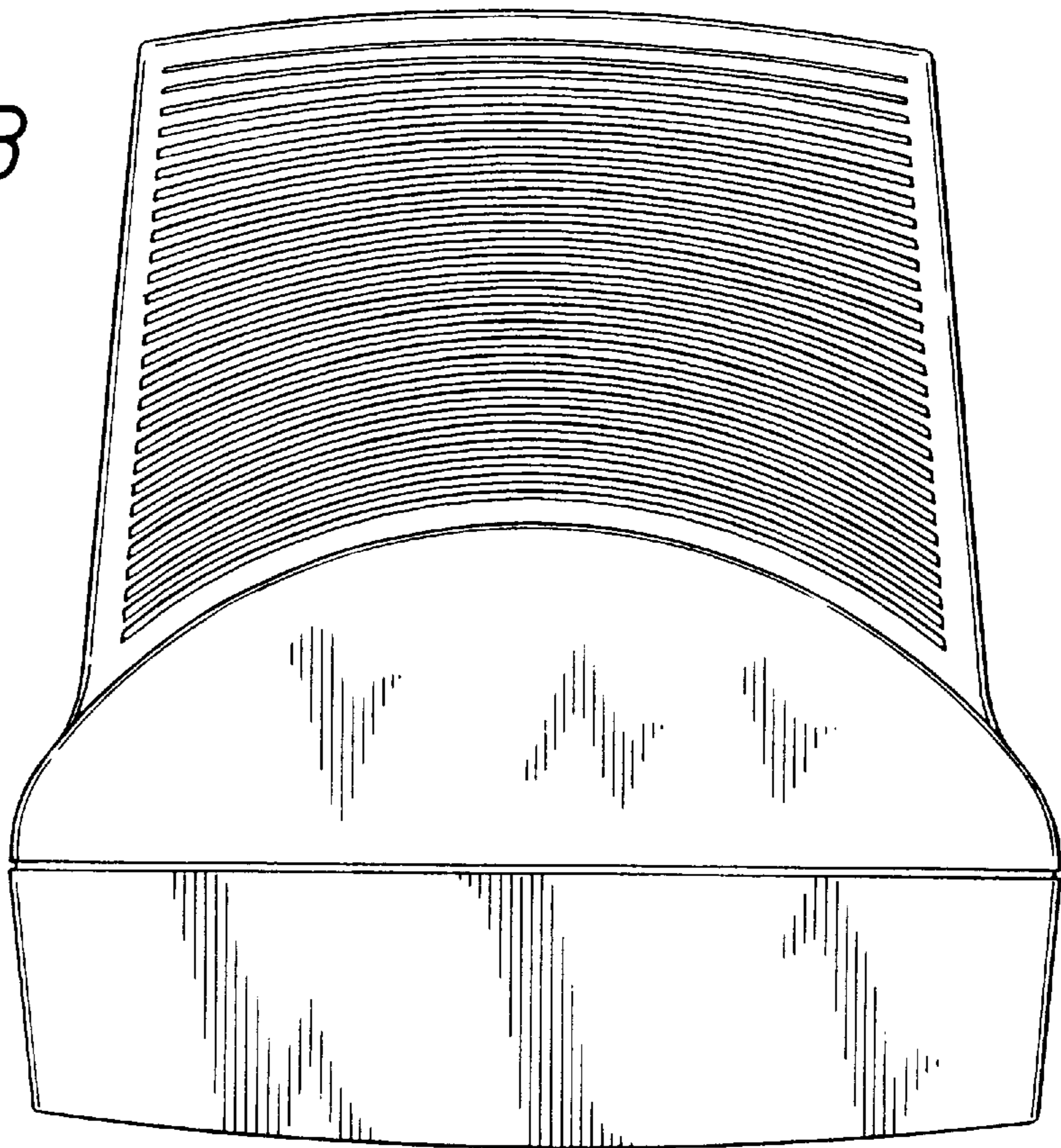


FIG. 4

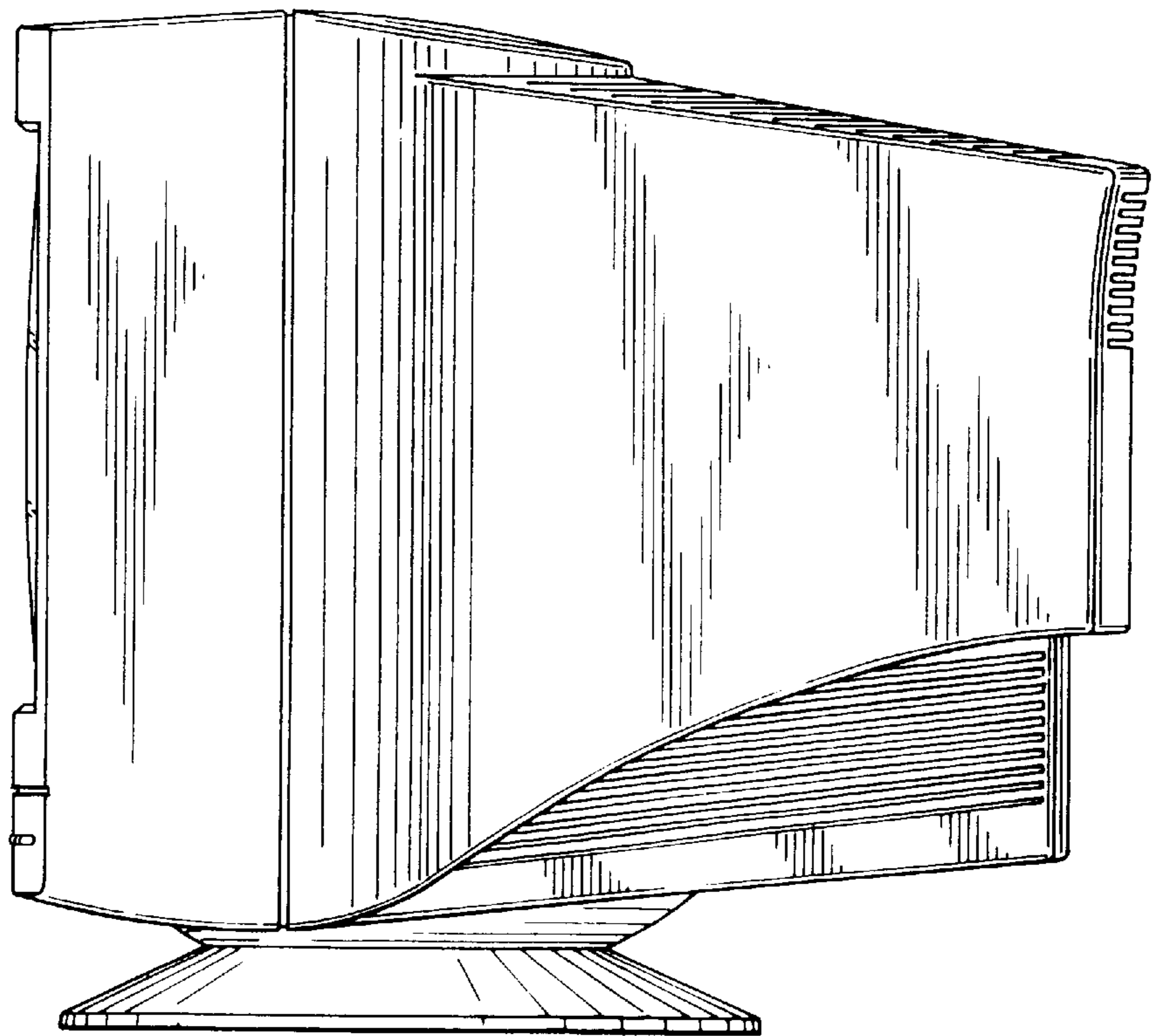


FIG. 5

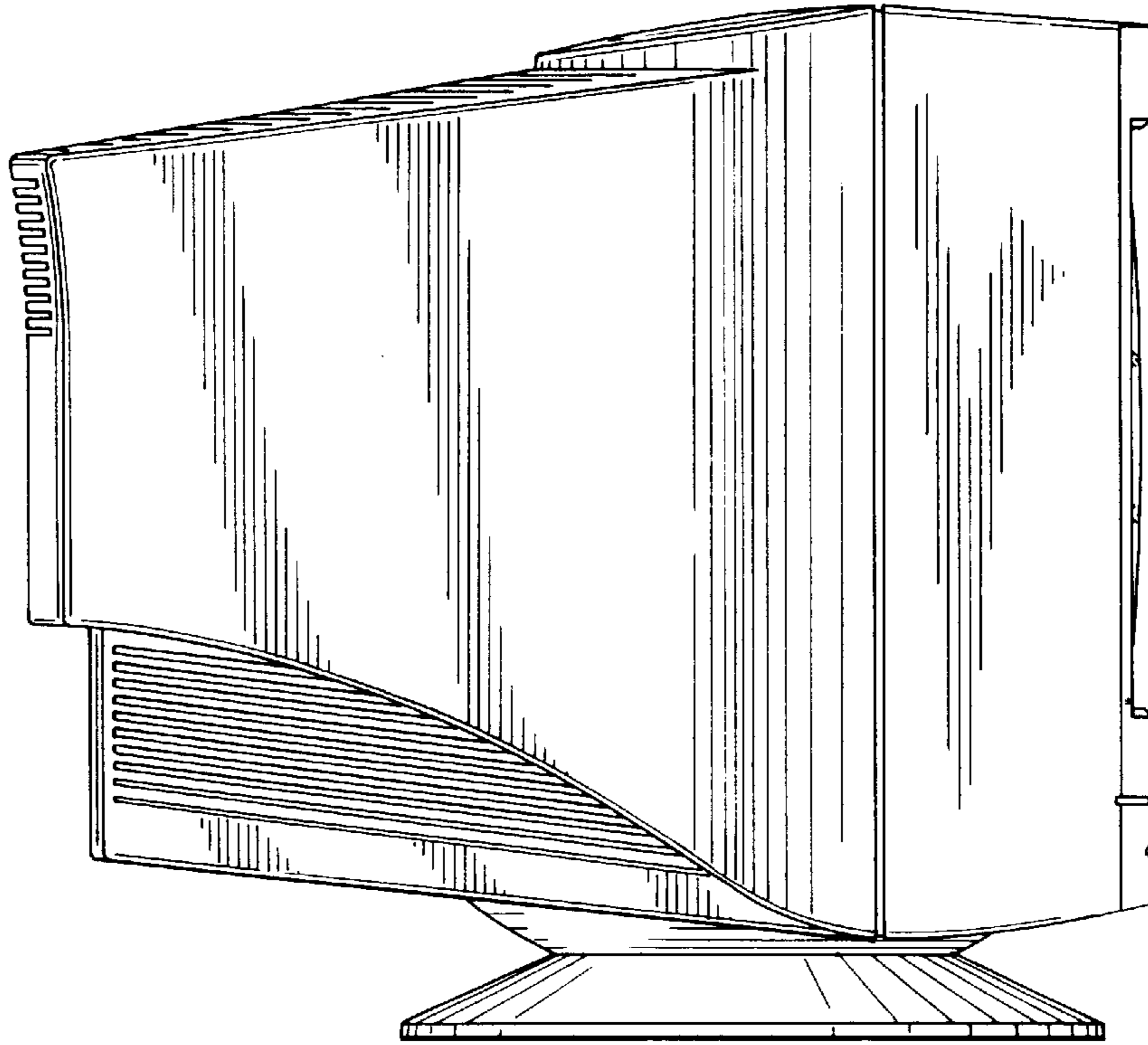


FIG. 6

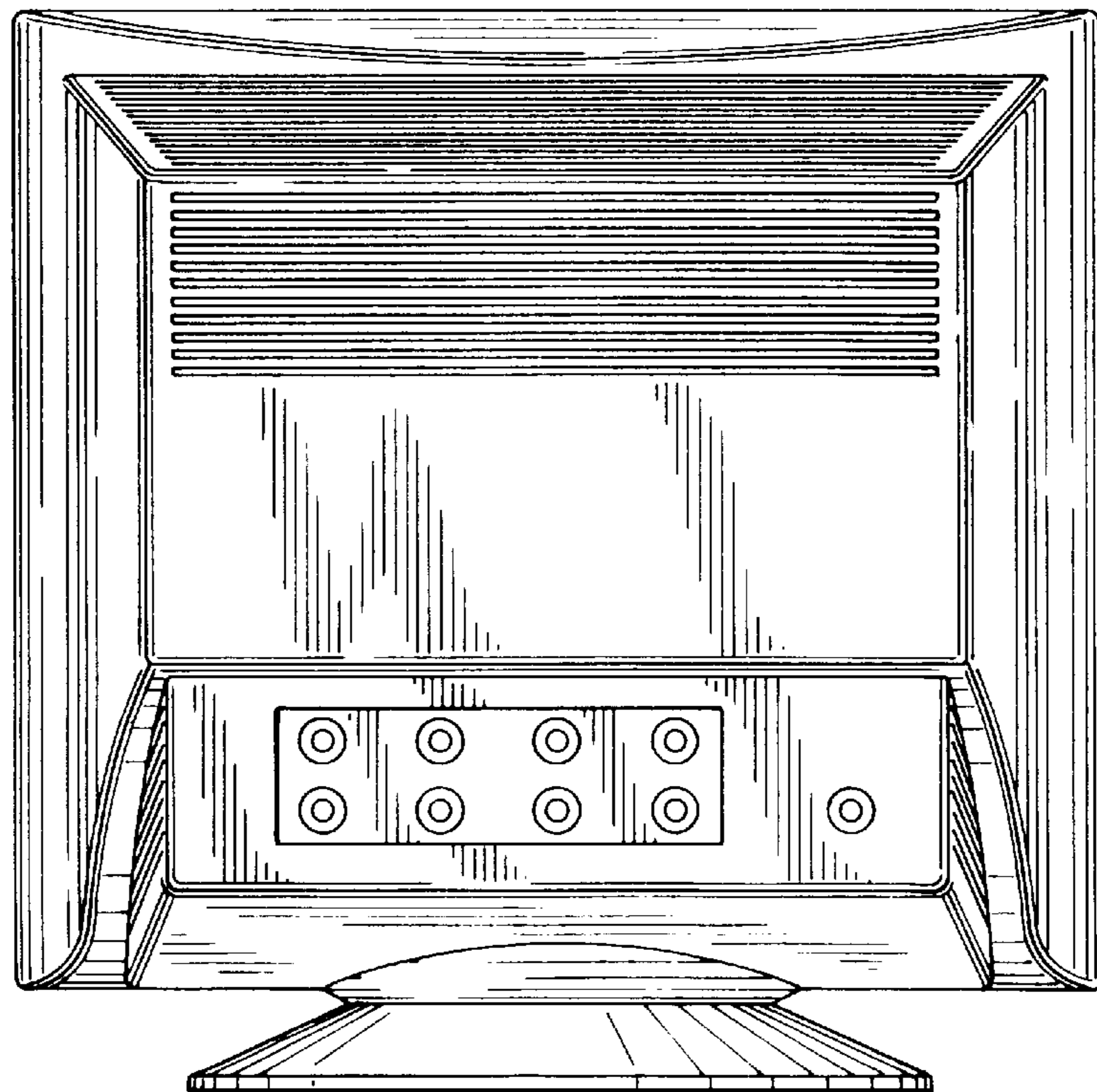


FIG. 7

