



US00D403307S

**United States Patent** [19]  
**Arzoumanian**

[11] **Patent Number: Des. 403,307**

[45] **Date of Patent: \*\*Dec. 29, 1998**

[54] **IN-LINE MULTIPLE FUSE HOLDER**

5,329,083 7/1994 Lai ..... 200/303 X

[76] Inventor: **Allen S. Arzoumanian**, 24326 Caris St., Woodland Hills, Calif. 91367

*Primary Examiner*—James Gandy  
*Assistant Examiner*—Cathron B. Matta  
*Attorney, Agent, or Firm*—David O'Reilly

[\*\*] Term: **14 Years**

[57] **CLAIM**

[21] Appl. No.: **33,226**

The ornamental design for an in-line multiple fuse holder, as shown and described.

[22] Filed: **Jan. 5, 1995**

[51] **LOC (6) Cl.** ..... **13-03**

**DESCRIPTION**

[52] **U.S. Cl.** ..... **D13/178; D13/161**

FIG. 1 is an isometric view of an in-line multiple fuse holder according to the new design with cut-to-length wires only partially disclosed for ease of illustration; FIG. 2 is a front view thereof; FIG. 3 is a left side view thereof; FIG. 4 is a right side view thereof; FIG. 5 is a top view thereof; FIG. 6 is a bottom view thereof; FIG. 7 is an isometric view of the invention shown in FIG. 1 with the cap open; and, FIG. 8 is a top view of the invention in FIG. 1 with the cap open.

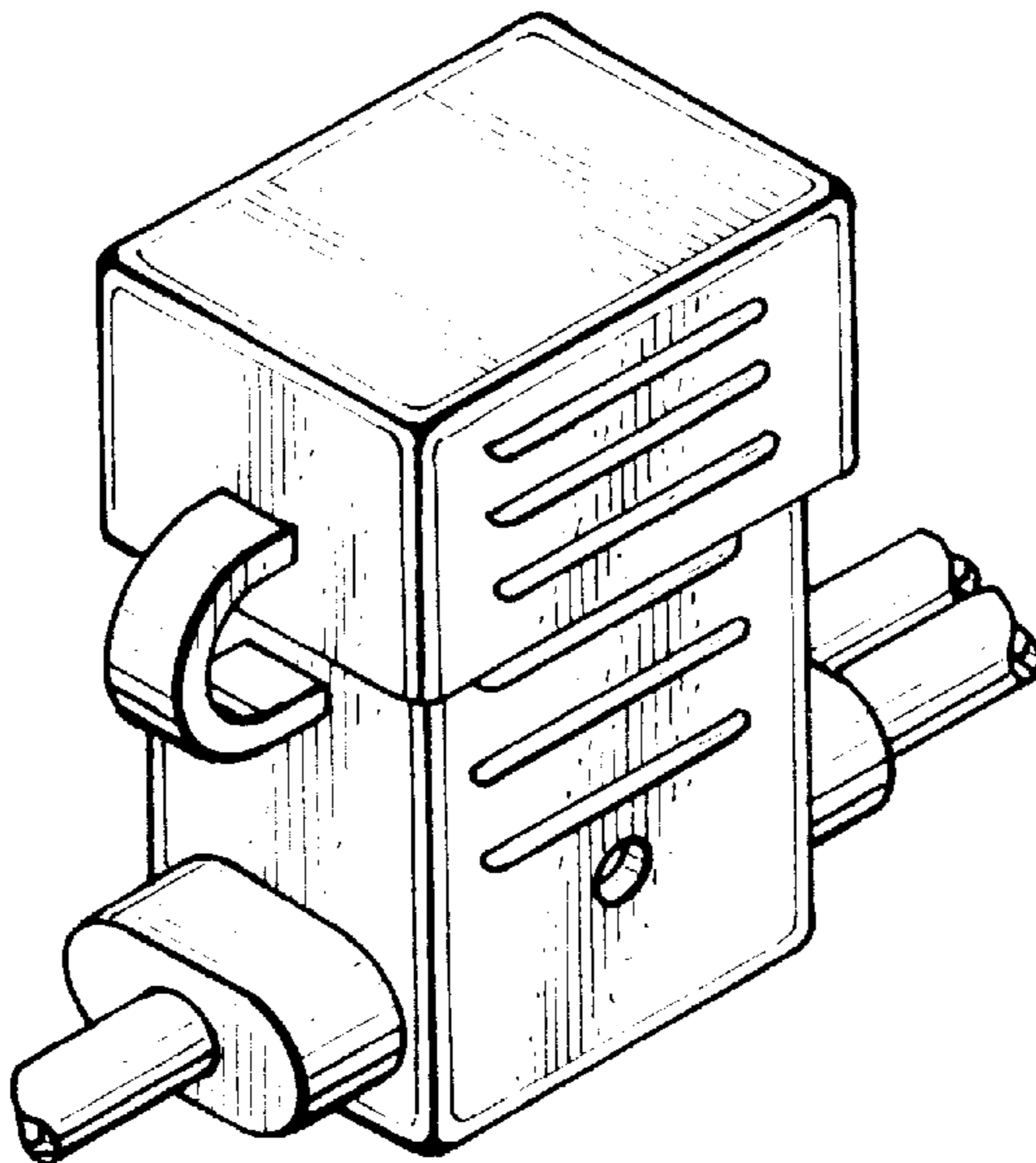
[58] **Field of Search** ..... D13/158-178, D13/199; 200/293, 303; 337/174, 181, 187, 190, 194, 198, 199, 201, 207, 208, 213, 214, 216; 439/621, 622

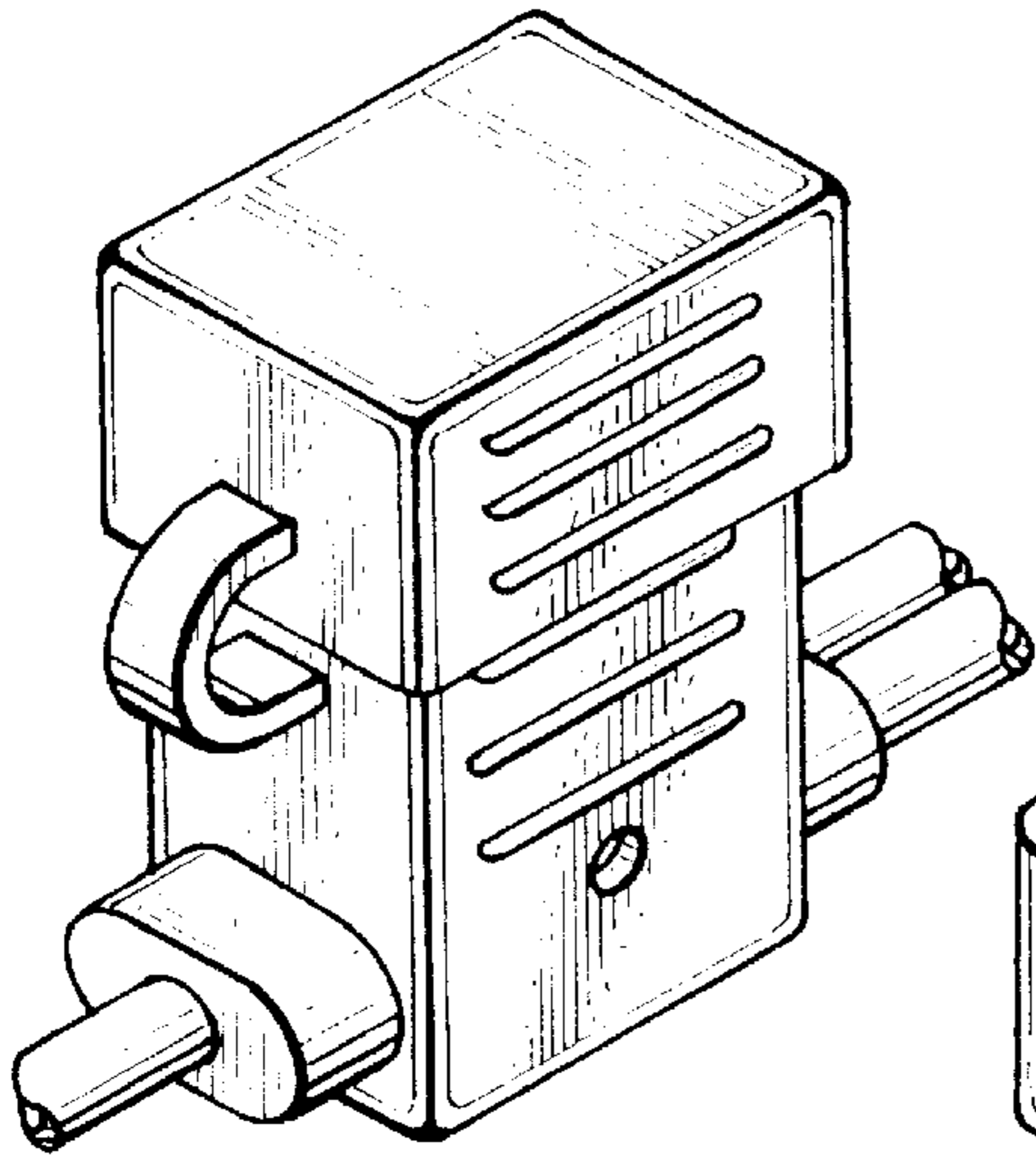
[56] **References Cited**

**U.S. PATENT DOCUMENTS**

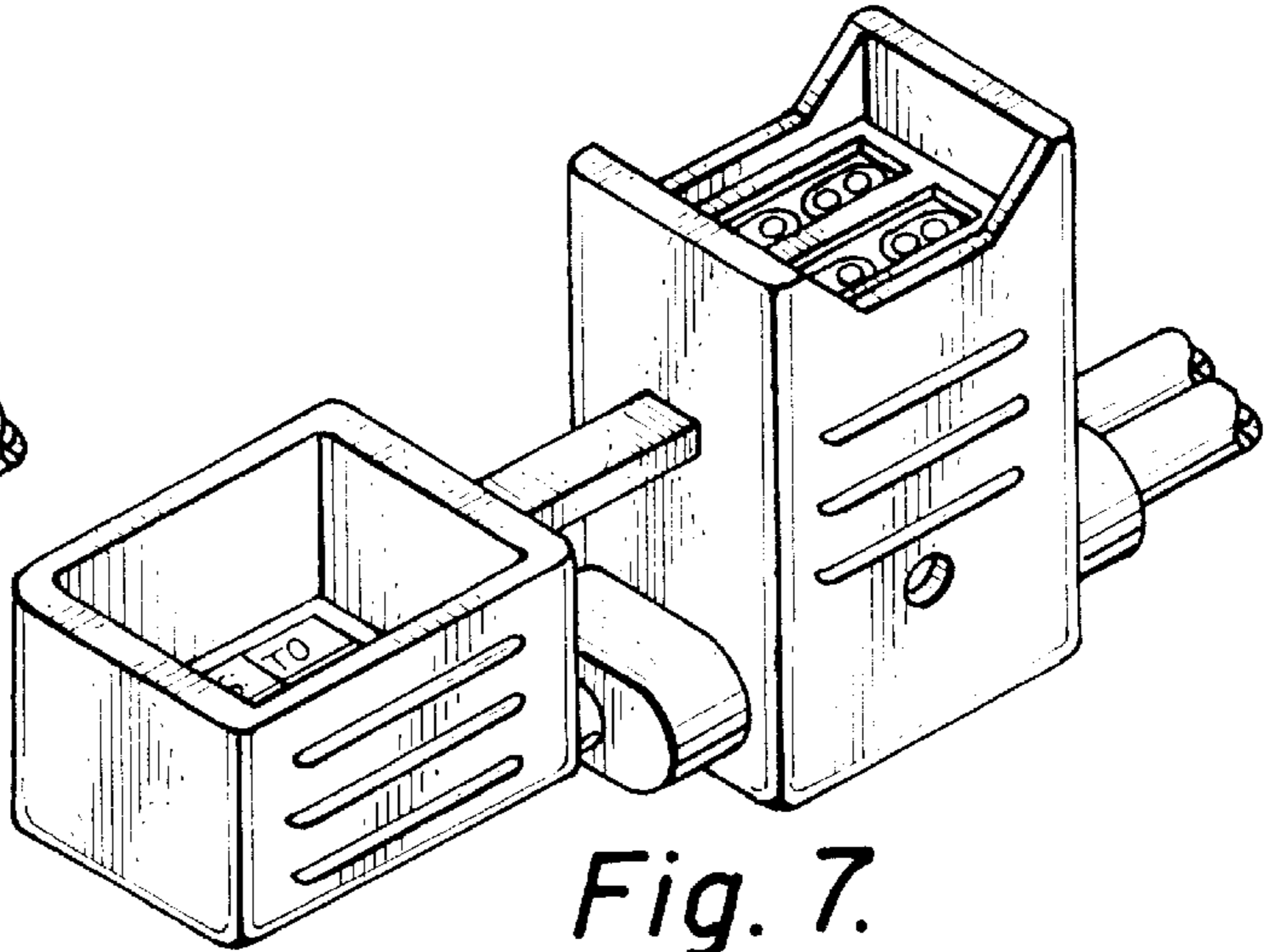
D. 239,717	4/1976	Allen	.....	D13/161
D. 265,988	8/1982	Gordon	.....	D13/178
D. 276,427	11/1984	Gordon	.....	D13/178
D. 309,291	7/1990	Wharton	.....	D13/161
4,941,851	7/1990	Hsueh	.....	439/621
4,997,394	3/1991	Katz et al.	.....	439/622

**1 Claim, 1 Drawing Sheet**

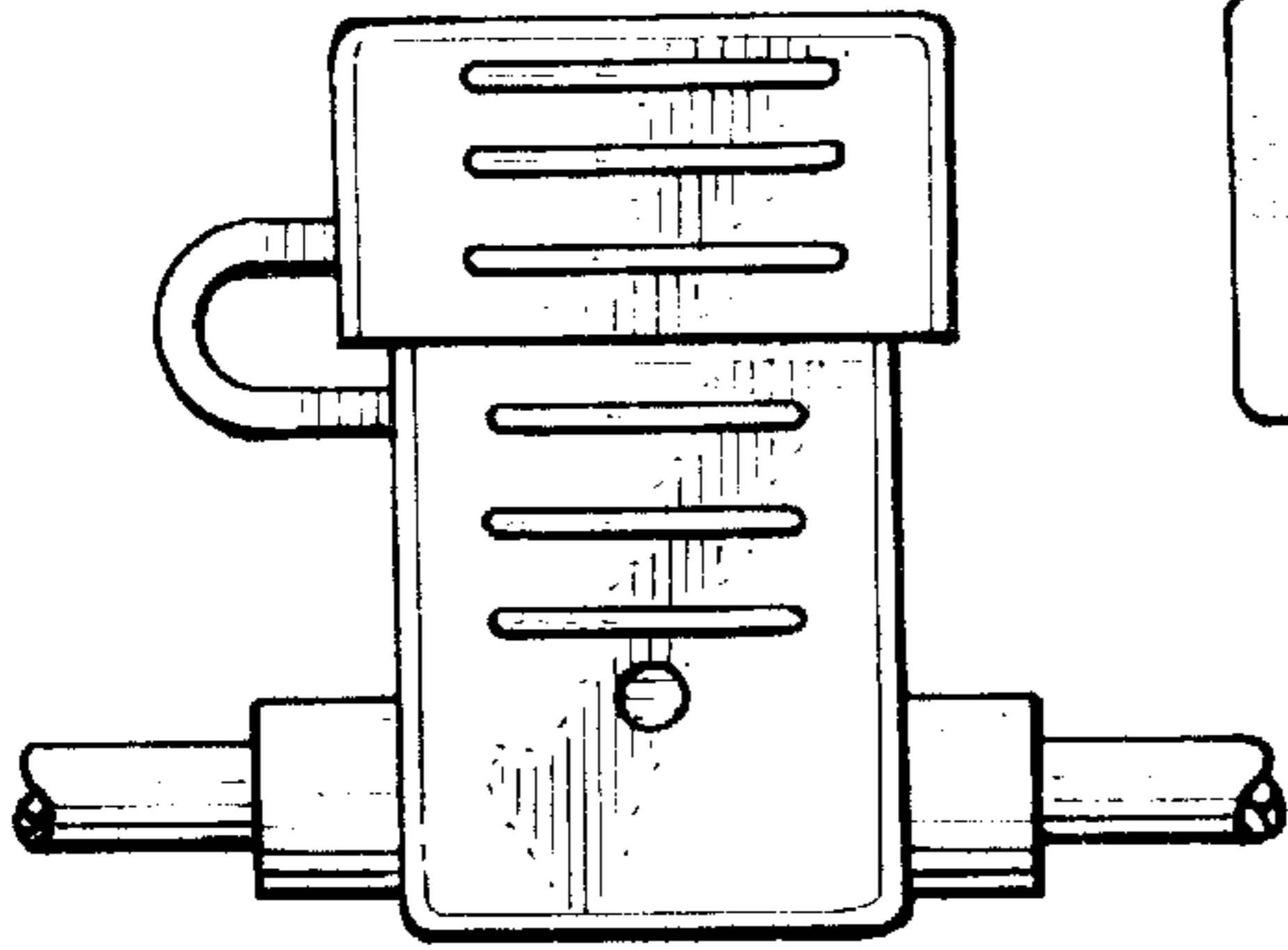




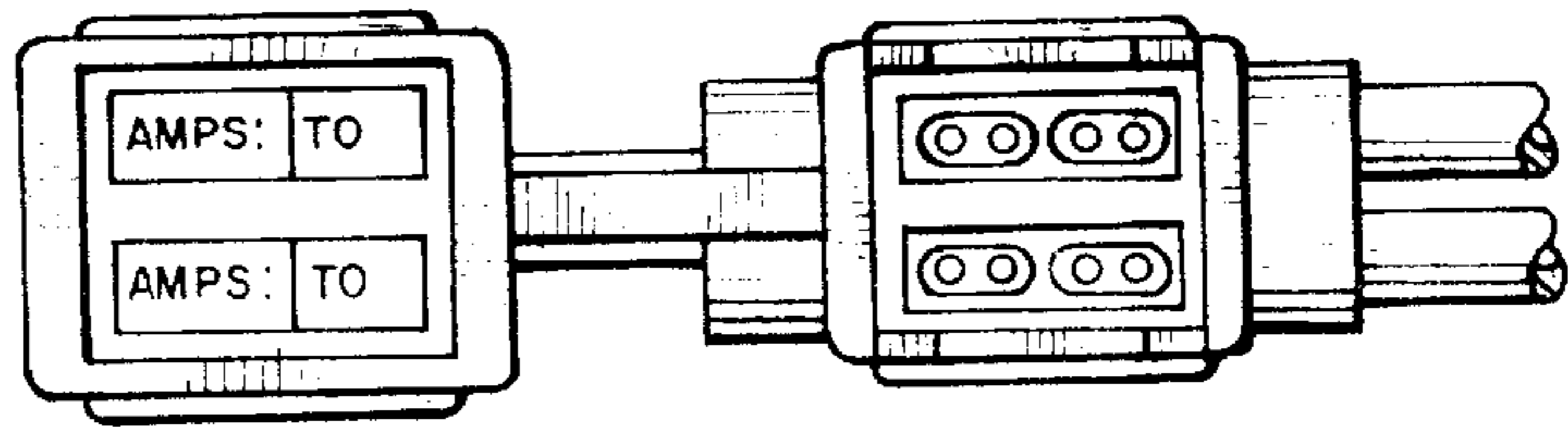
*Fig. 1.*



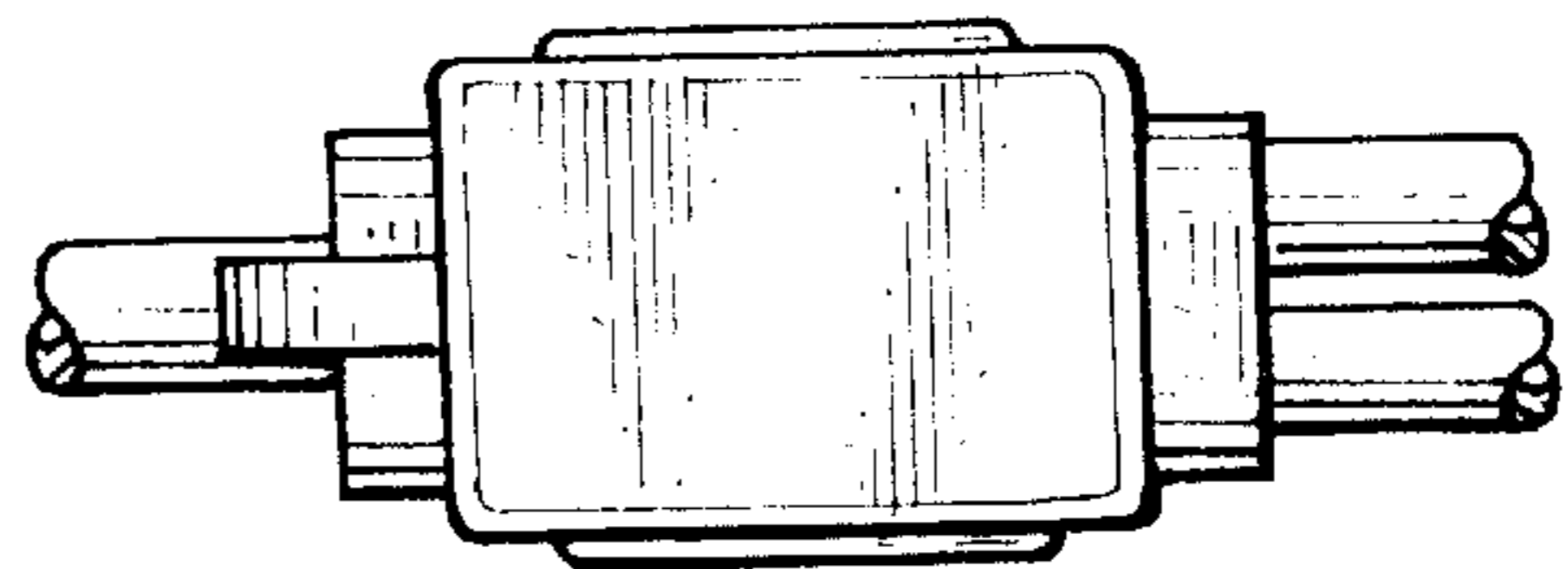
*Fig. 7.*



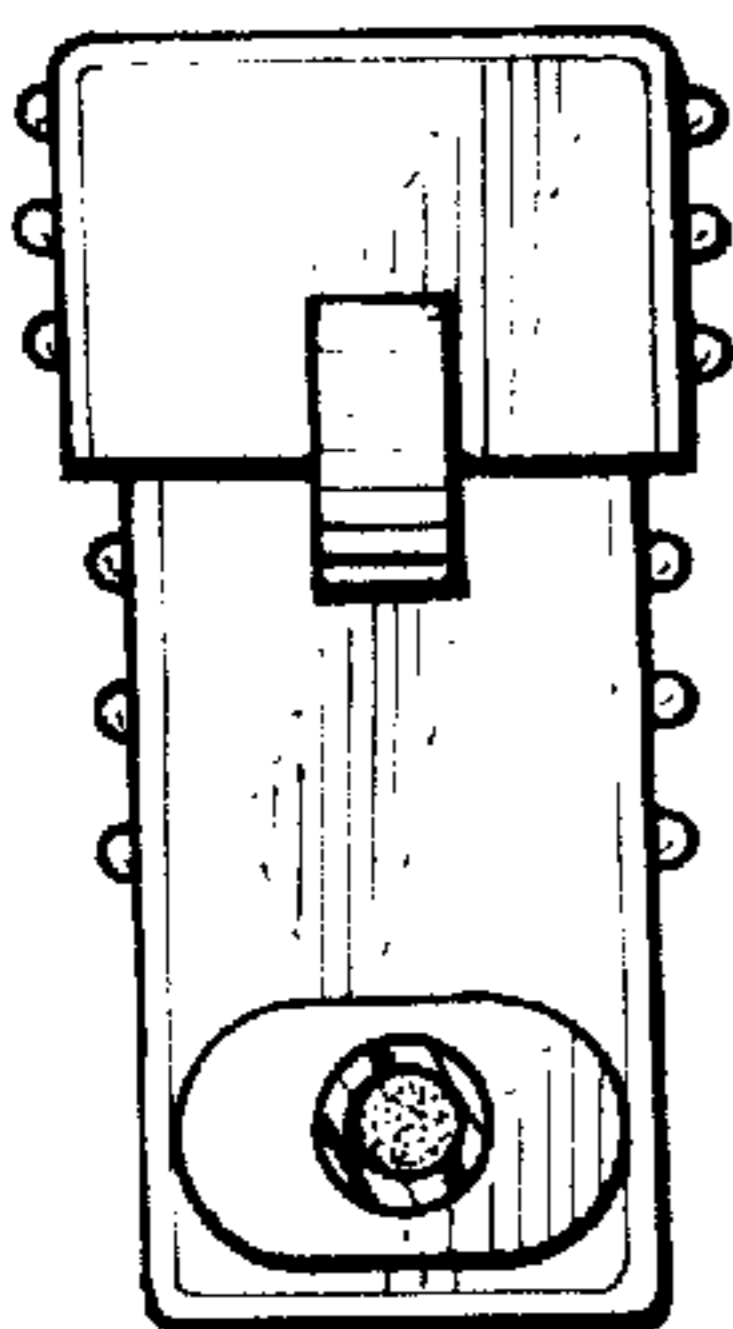
*Fig. 2.*



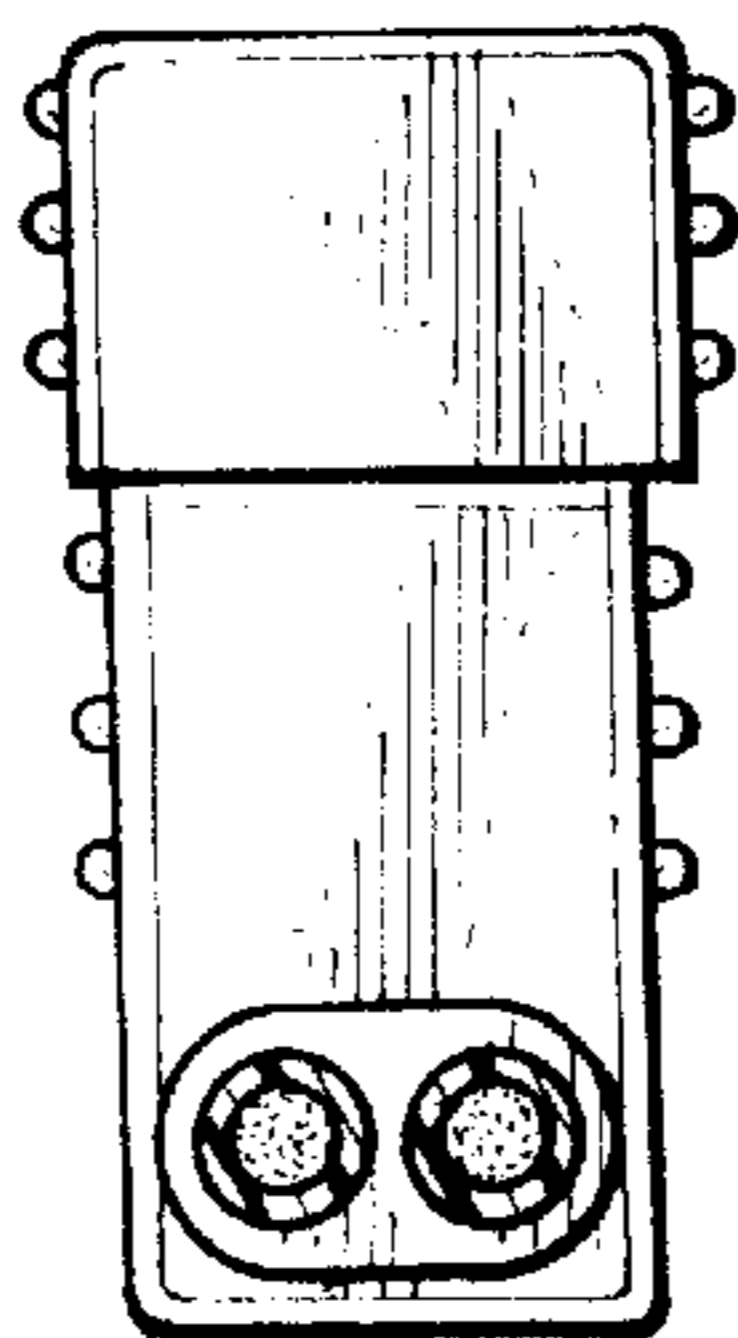
*Fig. 8.*



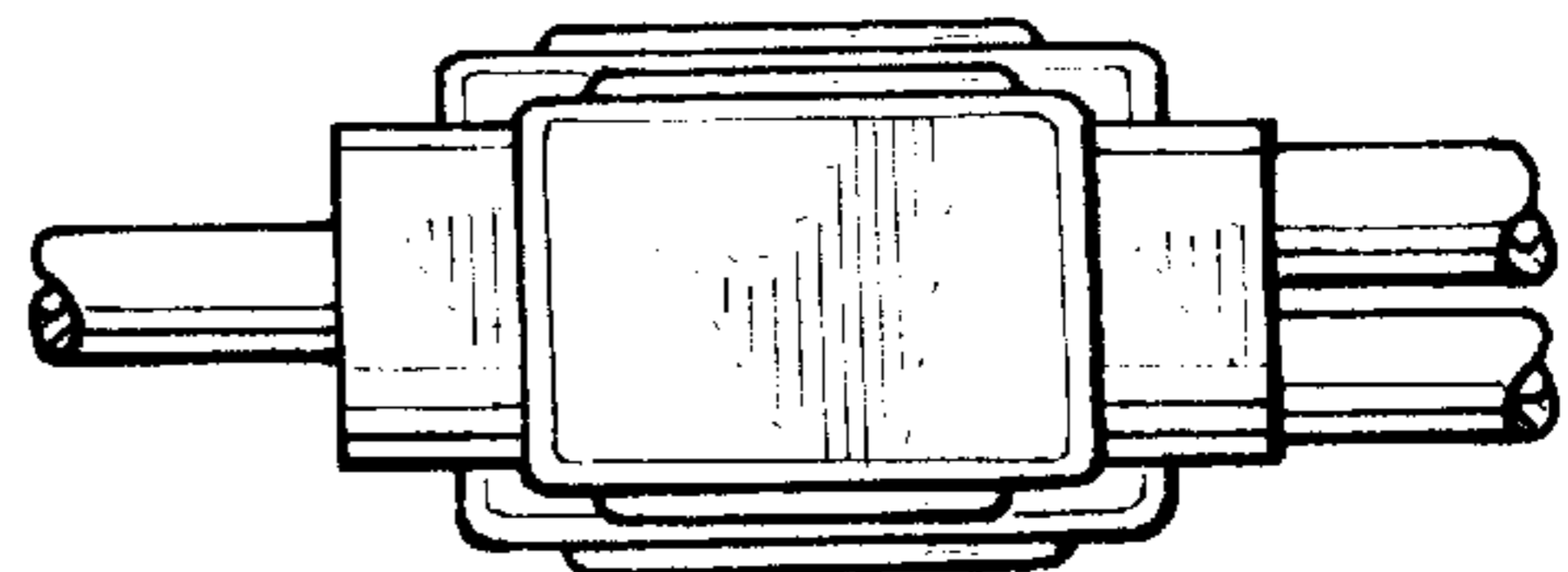
*Fig. 5.*



*Fig. 3.*



*Fig. 4.*



*Fig. 6.*