



US00D403305S

United States Patent [19]

[11] **Patent Number: Des. 403,305**

Lorenzo Regidor

[45] **Date of Patent: **Dec. 29, 1998**

[54] **HOUSING FOR A PUSH-BUTTON SWITCH**

[75] Inventor: **Angel Lorenzo Regidor**, Barcelona, Spain

[73] Assignee: **Industrias Lorenzo, S.A.**, Sant Climent de Llobregat, Spain

[**] Term: **14 Years**

[21] Appl. No.: **48,240**

[22] Filed: **Dec. 22, 1995**

[30] **Foreign Application Priority Data**

Jun. 26, 1995	[ES]	Spain	135.331
Dec. 15, 1995	[ES]	Spain	136.486

[51] **LOC (6) Cl.** **13-03**

[52] **U.S. Cl.** **D13/158**

[58] **Field of Search** D13/158-178, D13/199, 184; 200/5 A, 6 B, 293, 294, 303, 308, 309, 336, 341-345, 517, 520

[56] **References Cited**

U.S. PATENT DOCUMENTS

D. 198,316	6/1964	Flanagan	D13/158
4,288,670	9/1981	Buttner	200/303
4,514,601	4/1985	Buchanan	D13/171 X
5,055,642	10/1991	Miyata	200/293
5,165,530	11/1992	Shinohara et al.	200/303 X
5,245,147	9/1993	Kobayashi	200/293 X
5,424,516	6/1995	Emmons	D13/171 X

Primary Examiner—James Gandy
Assistant Examiner—Cathron B. Matta

Attorney, Agent, or Firm—Jacobson, Price, Holman & Stern, PLLC

[57] **CLAIM**

The ornamental design for a housing for a push-button switch, as shown and described.

DESCRIPTION

FIG. 1 is a perspective view showing my new design for a first embodiment of a housing for a push-button switch; FIG. 2 is a top plan view thereof; FIG. 3 is a front view thereof, the rear view being a mirror image thereof; FIG. 4 is a side view thereof, the opposite side view being a mirror image thereof; FIG. 5 is an enlarged sectional view of a portion of my design, taken along line 5—5 in FIG. 2; FIG. 6 is a perspective view of a second embodiment; FIG. 7 is a top plan view thereof; FIG. 8 is a front view thereof, the rear view being a mirror image thereof; FIG. 9 is a side view thereof, the opposite side view being a mirror image thereof; FIG. 10 is an enlarged sectional view of a portion of my design, taken along line 10—10 in FIG. 7; FIG. 11 is a perspective view of a third embodiment; FIG. 12 is a top plan view thereof; FIG. 13 is a front view thereof, the rear view being a mirror image thereof; FIG. 14 is a side view thereof, the opposite side view being a mirror image thereof; and, FIG. 15 is an enlarged sectional view of a portion of my design, taken along line 15—15 of FIG. 12.

1 Claim, 3 Drawing Sheets

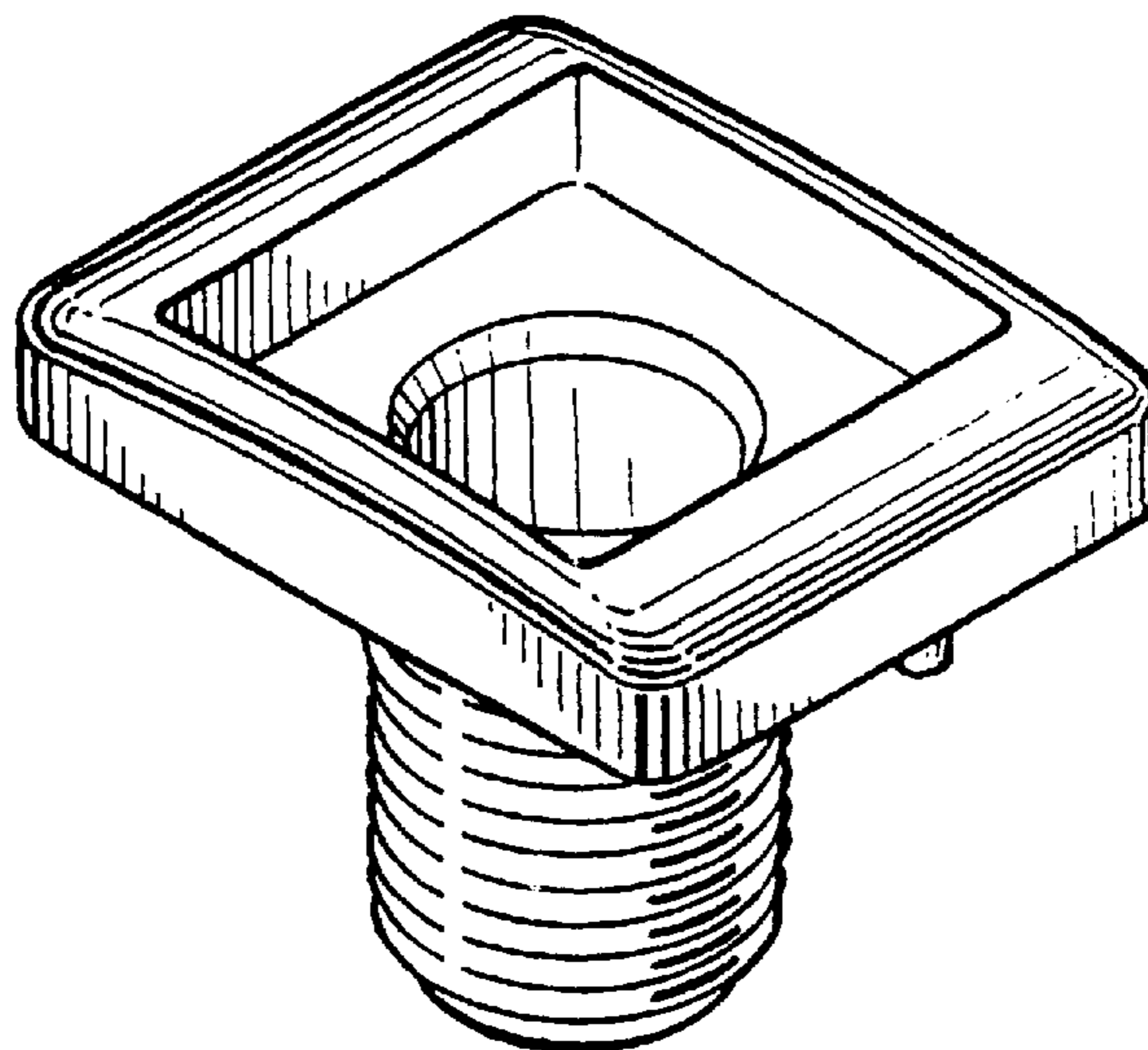


FIG. 5

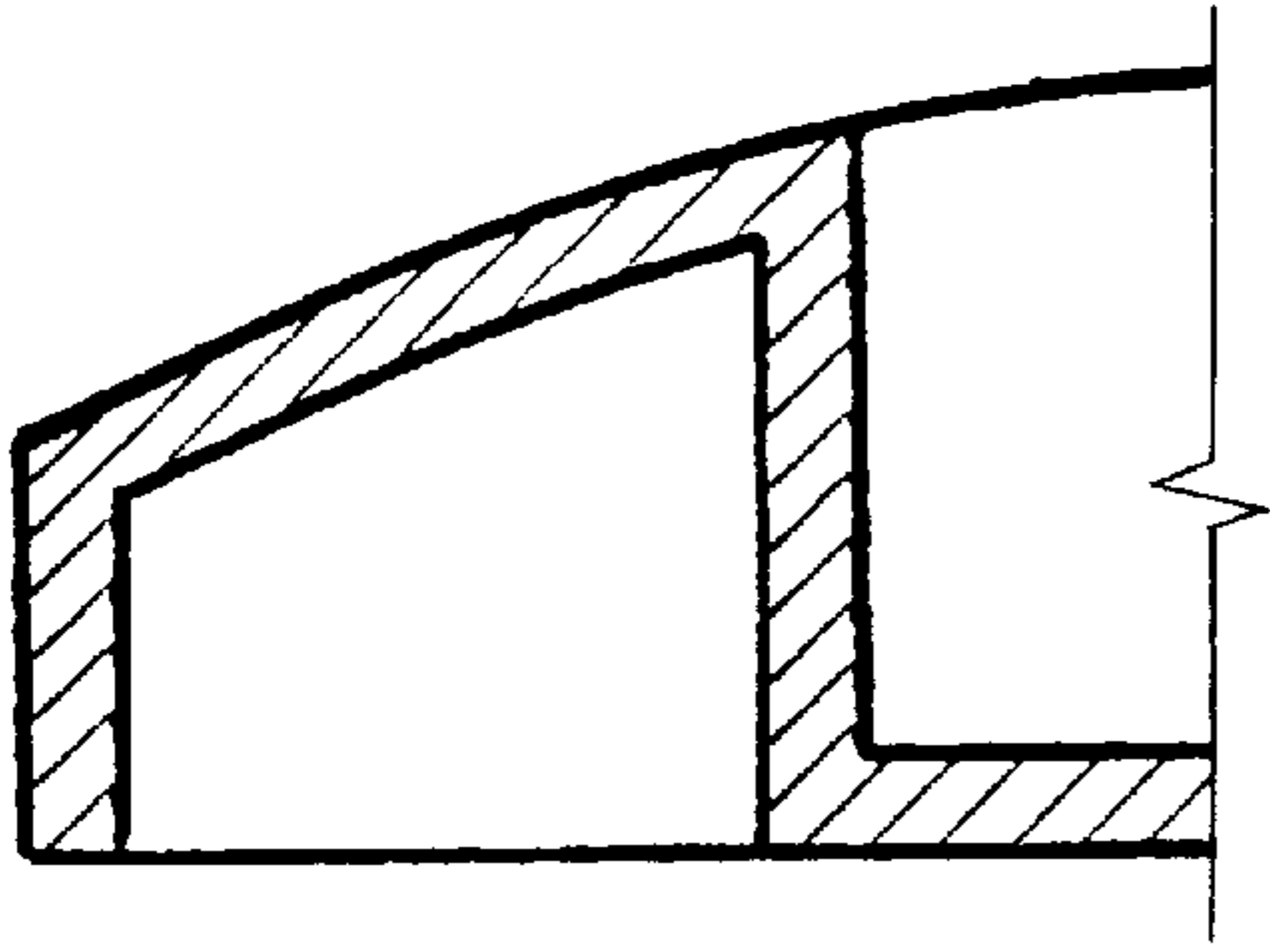


FIG. 3

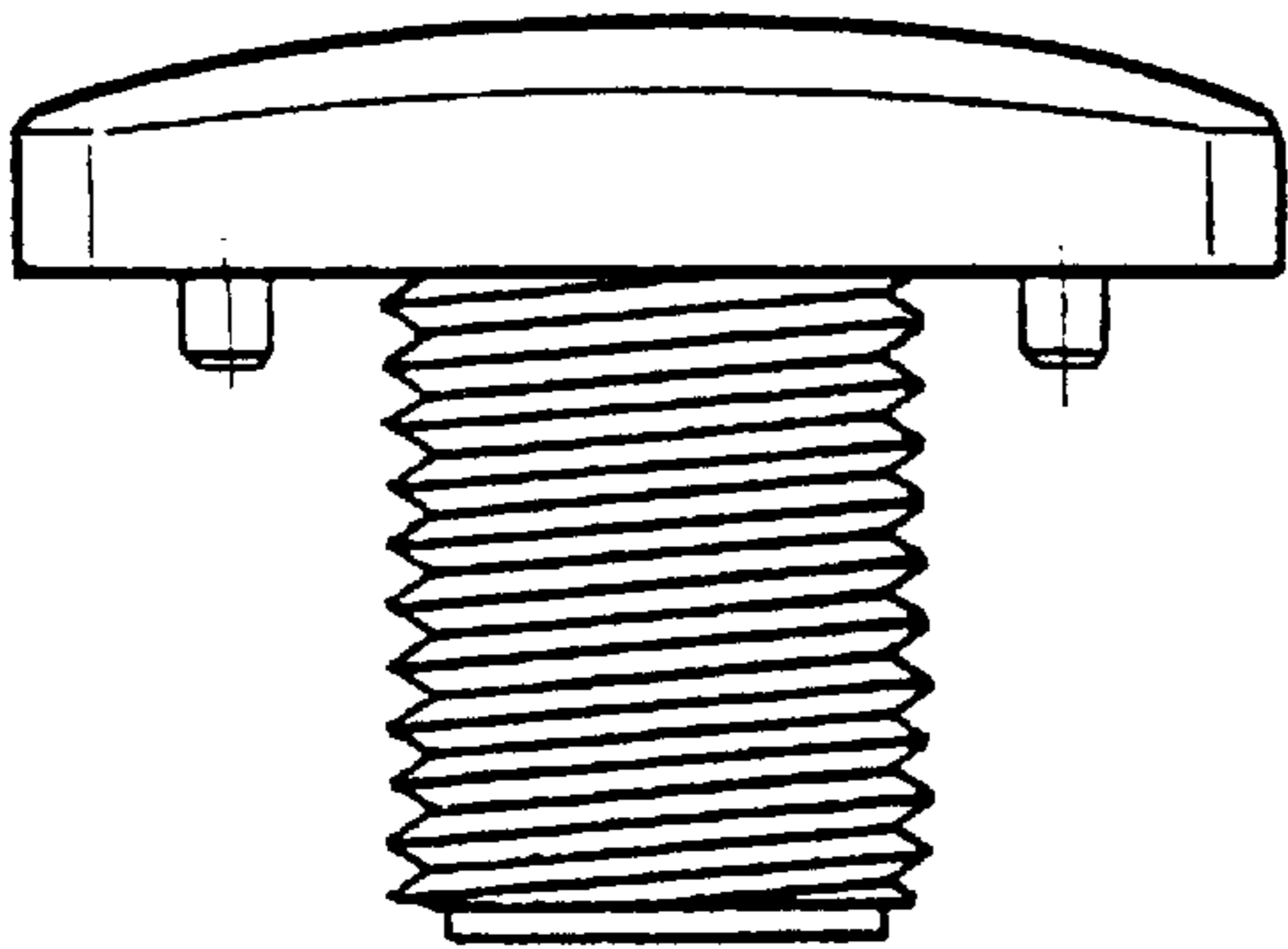


FIG. 2

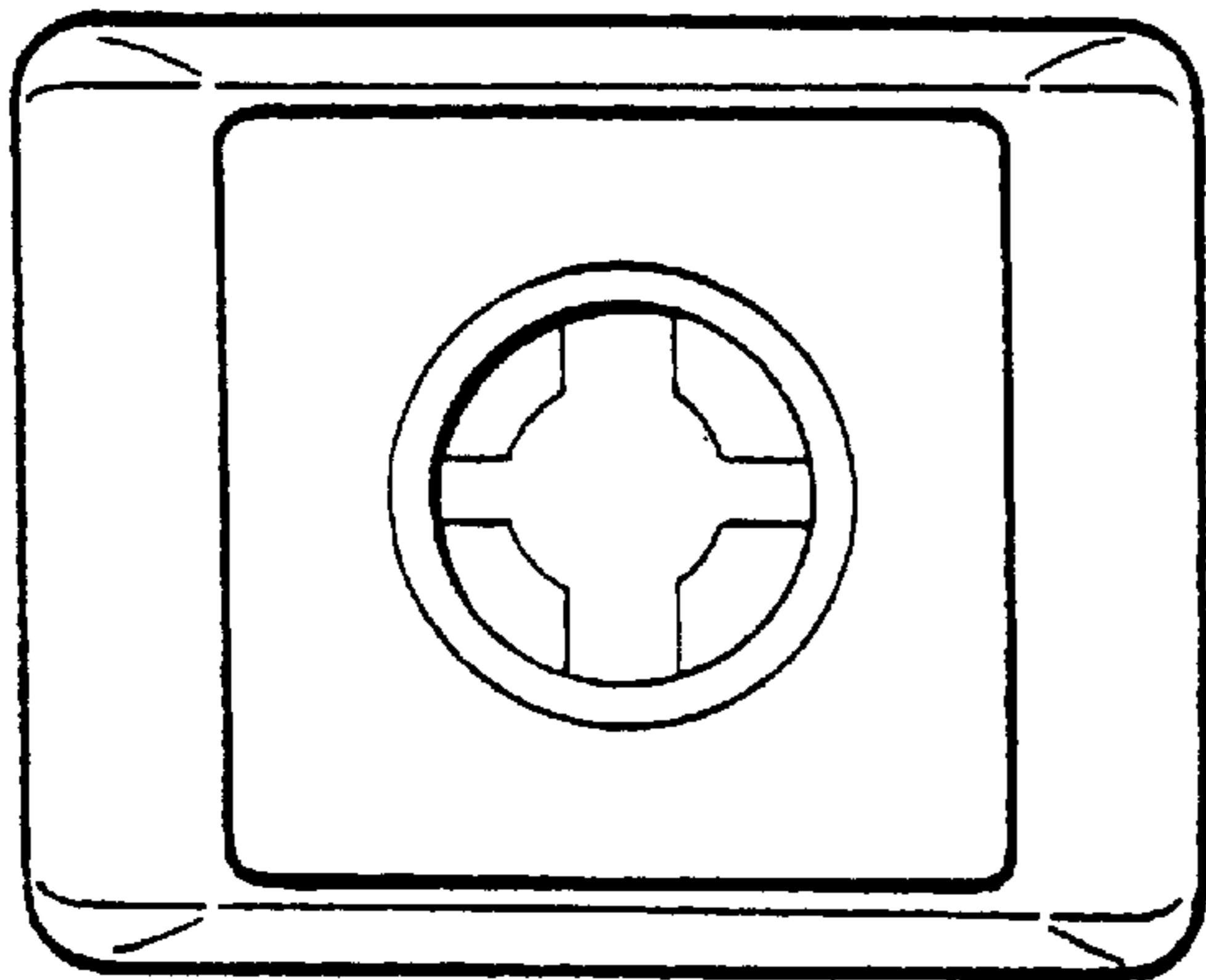


FIG. 4

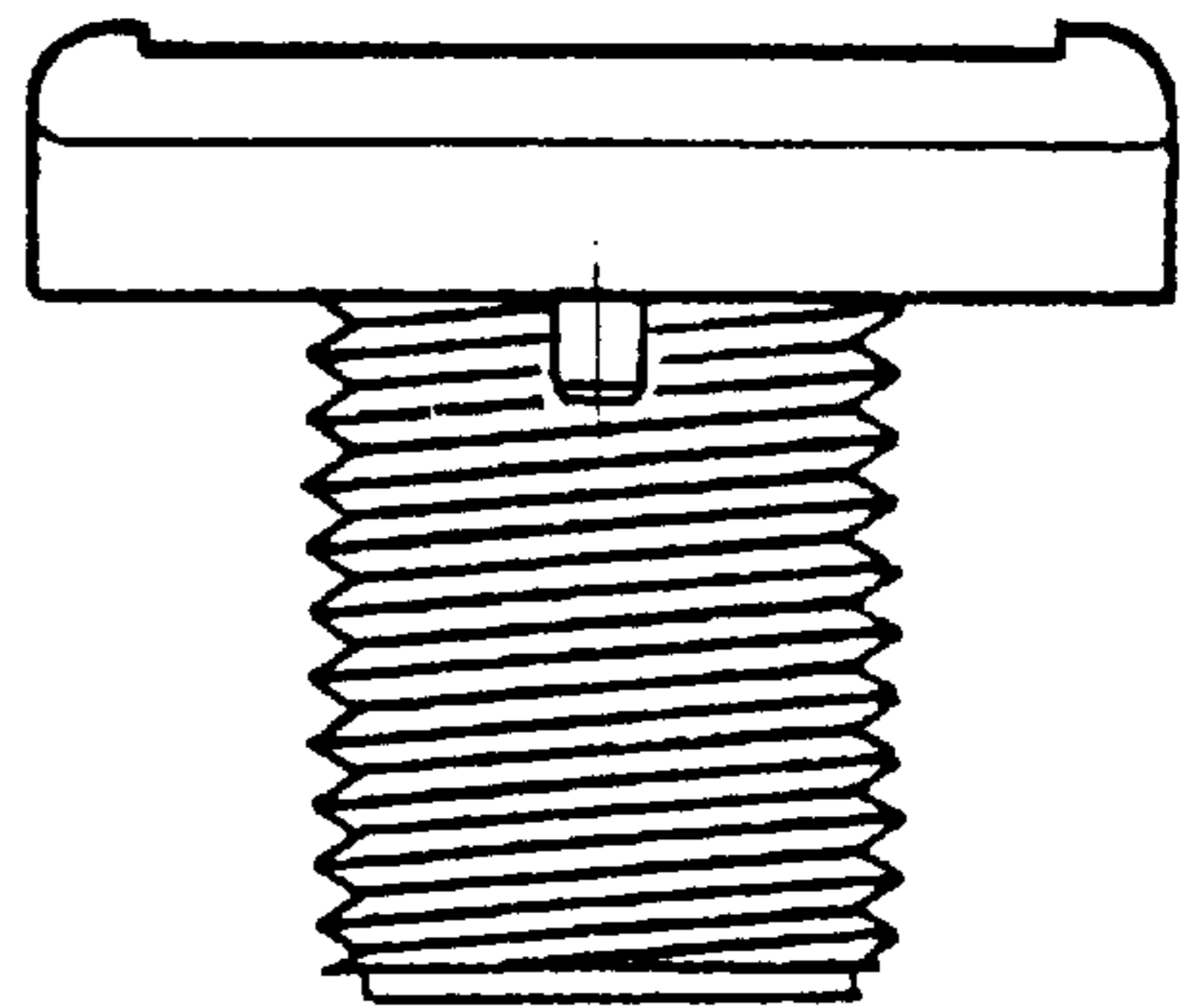


FIG. 1

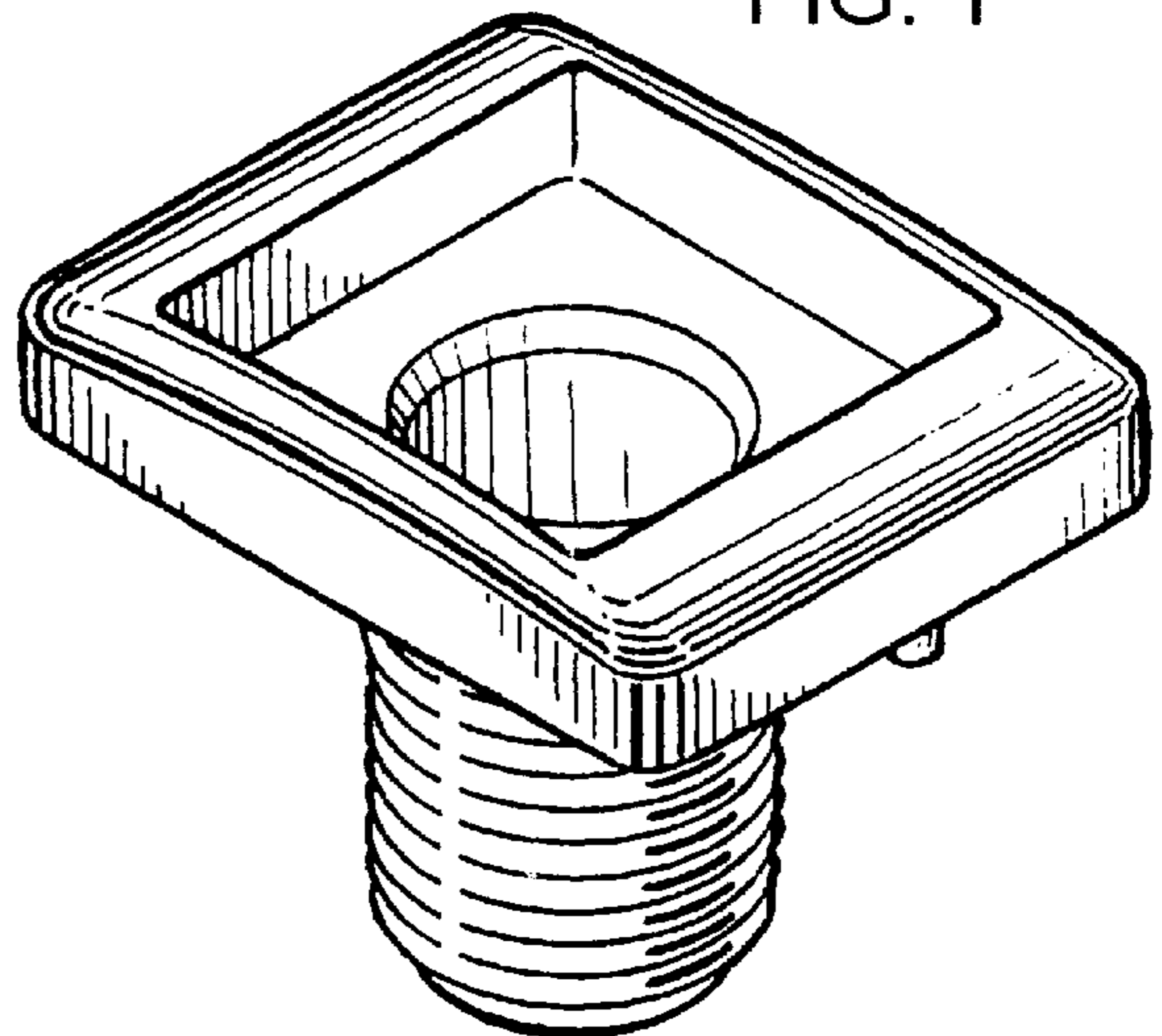


FIG. 10

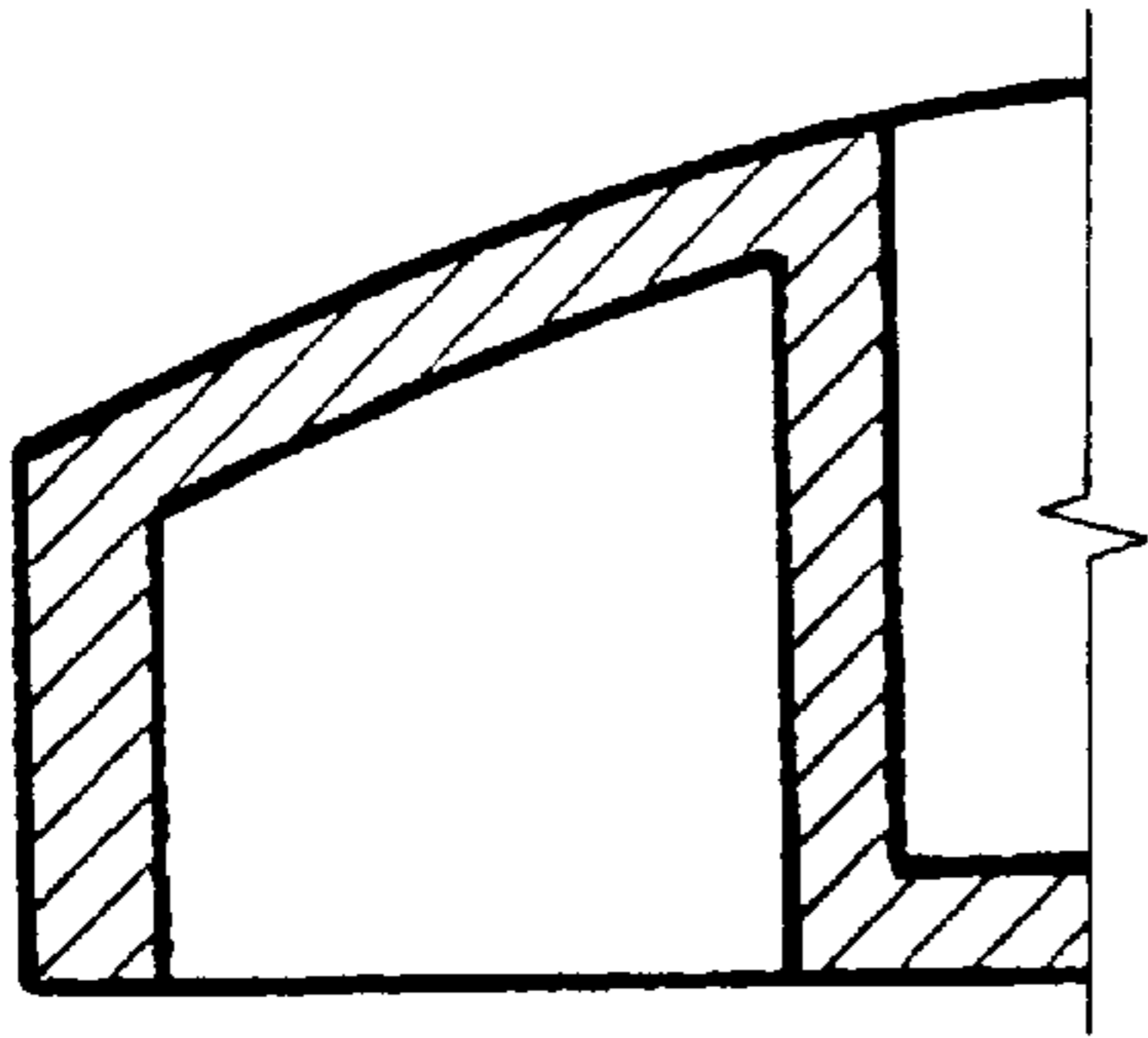


FIG. 8

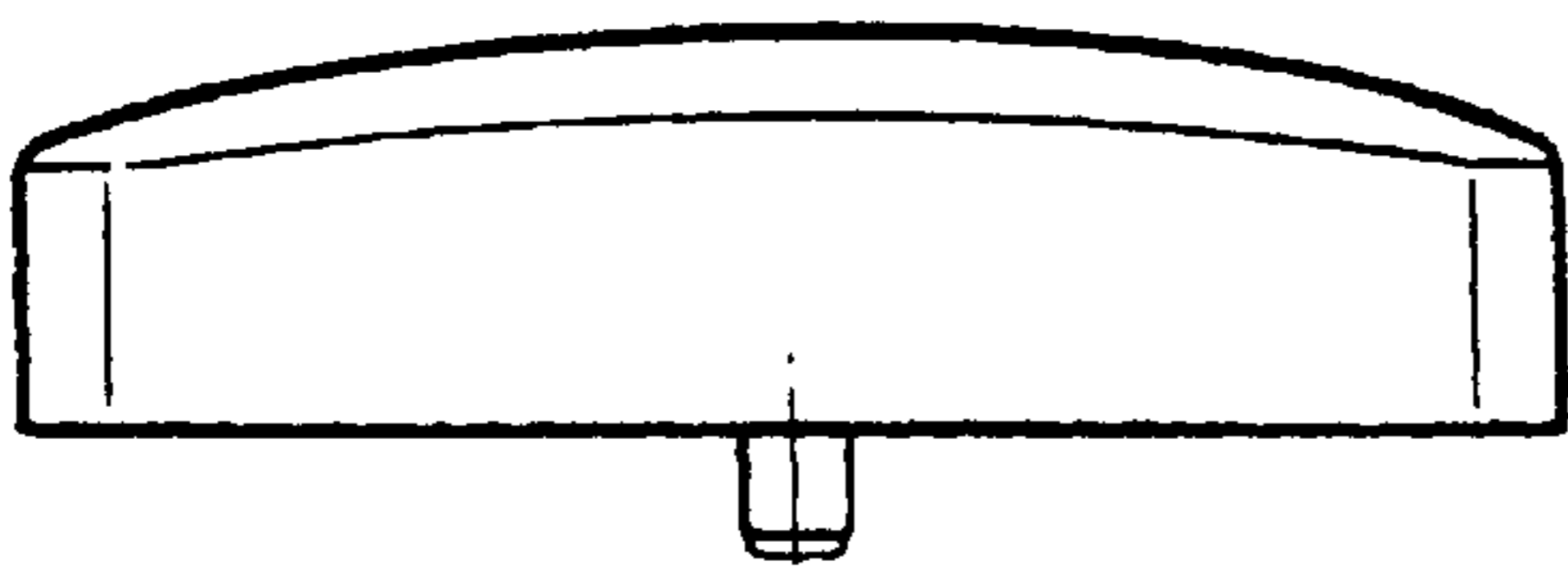


FIG. 9

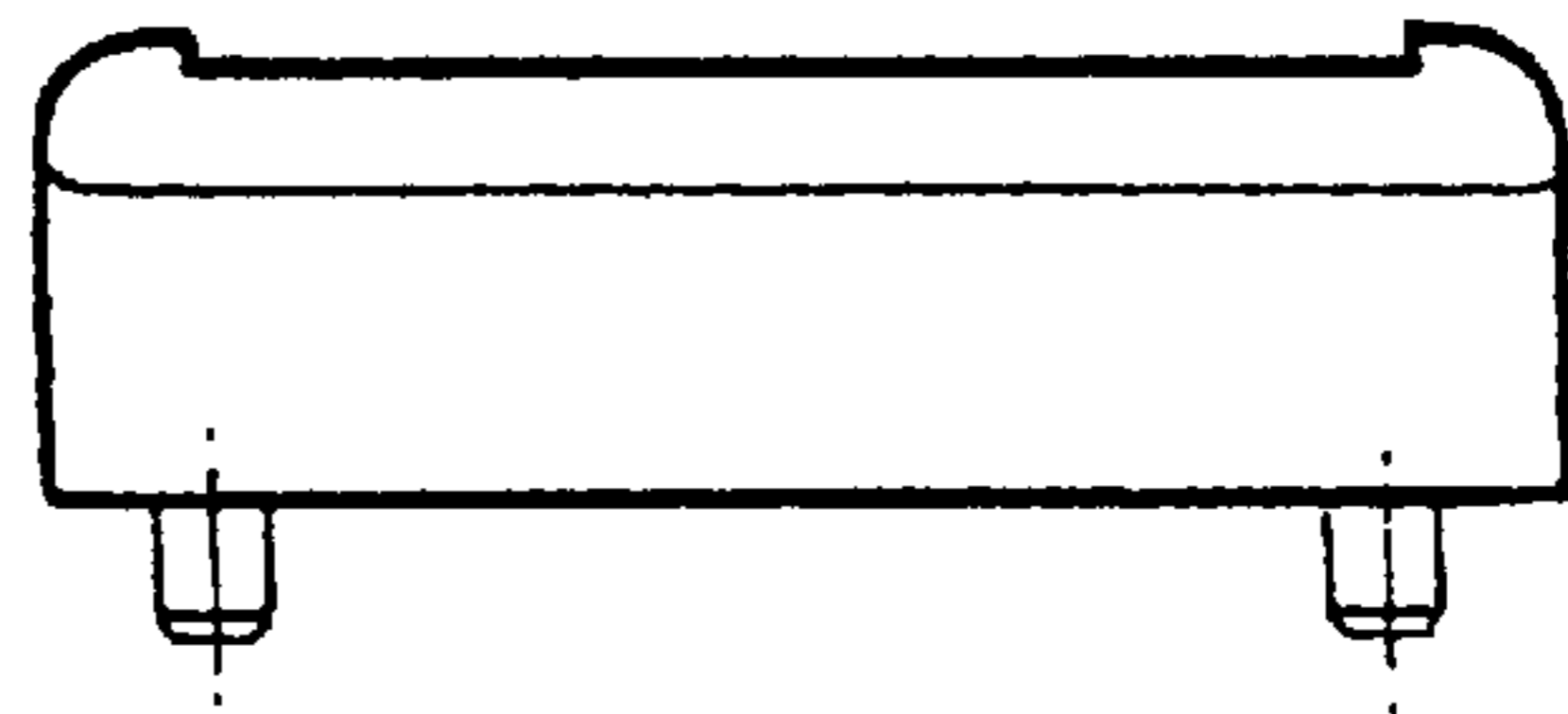


FIG. 7

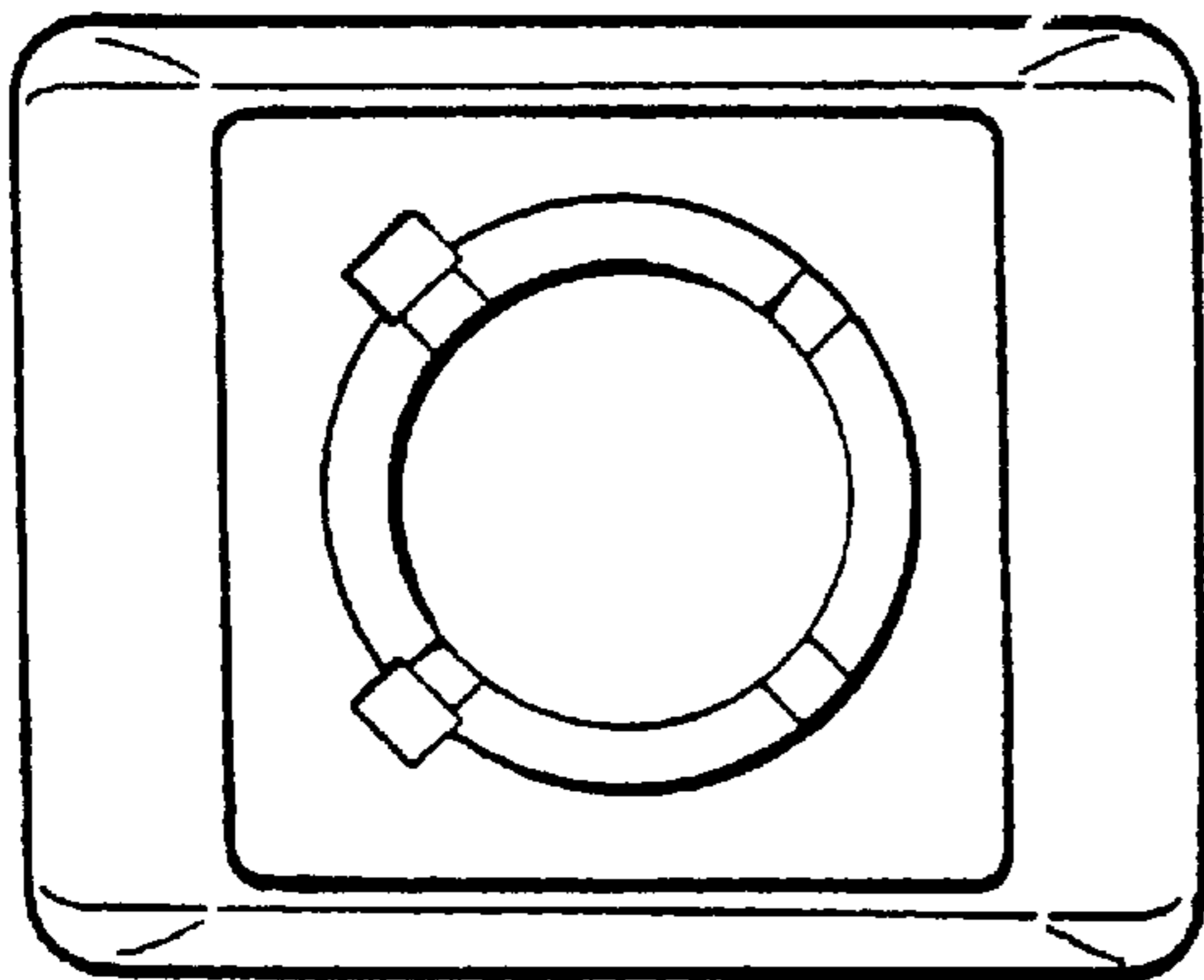


FIG. 6

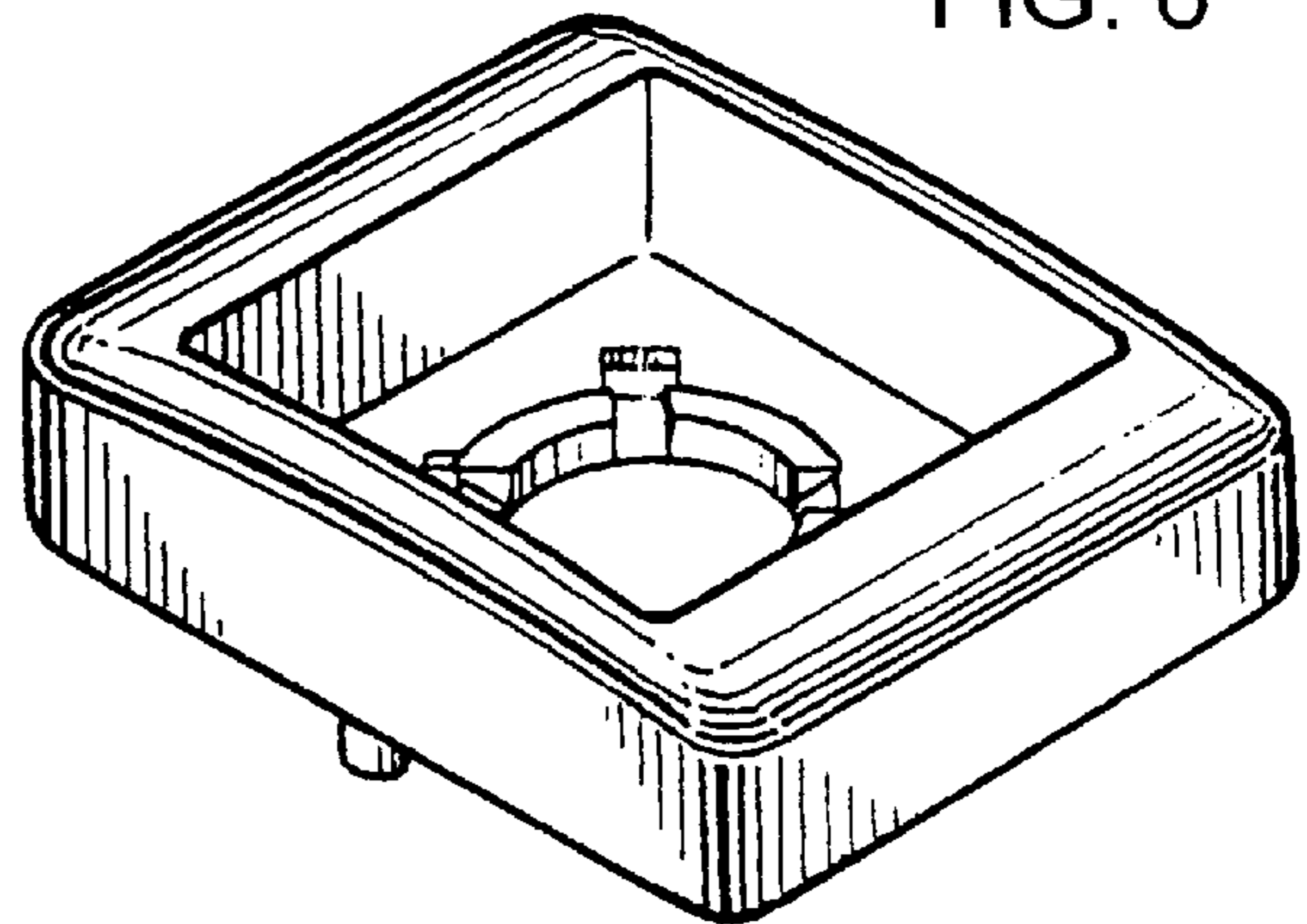


FIG. 15

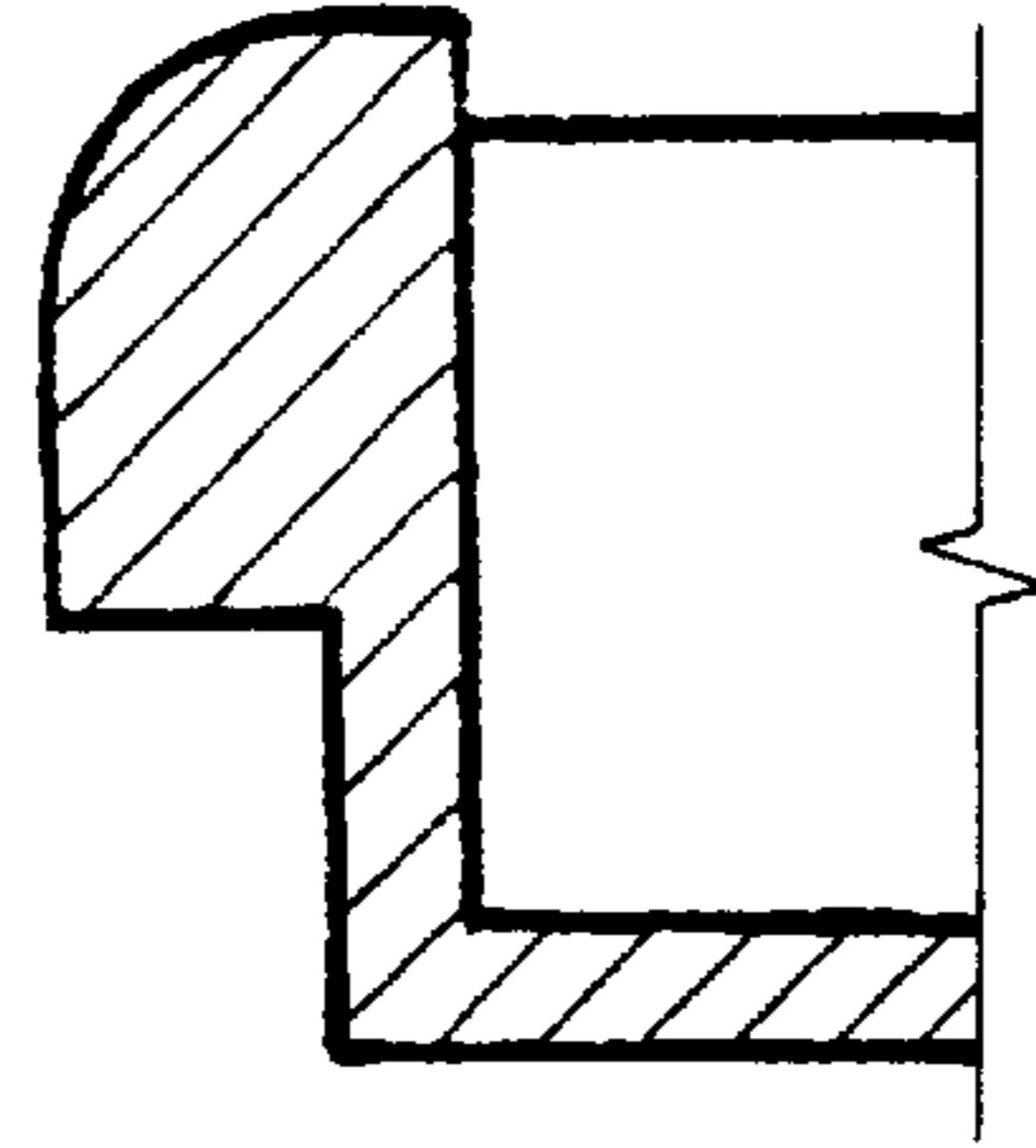


FIG. 13

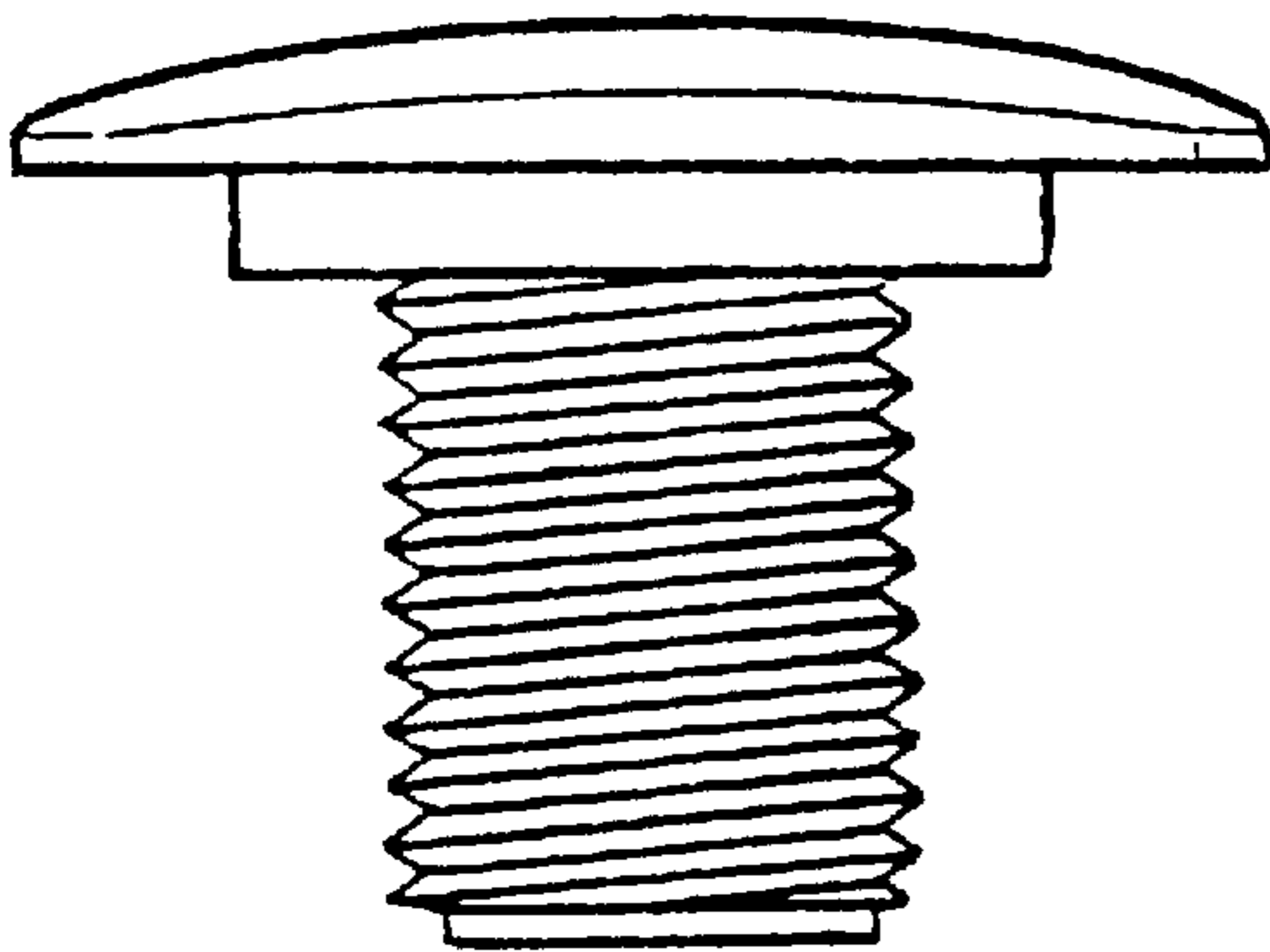


FIG. 14

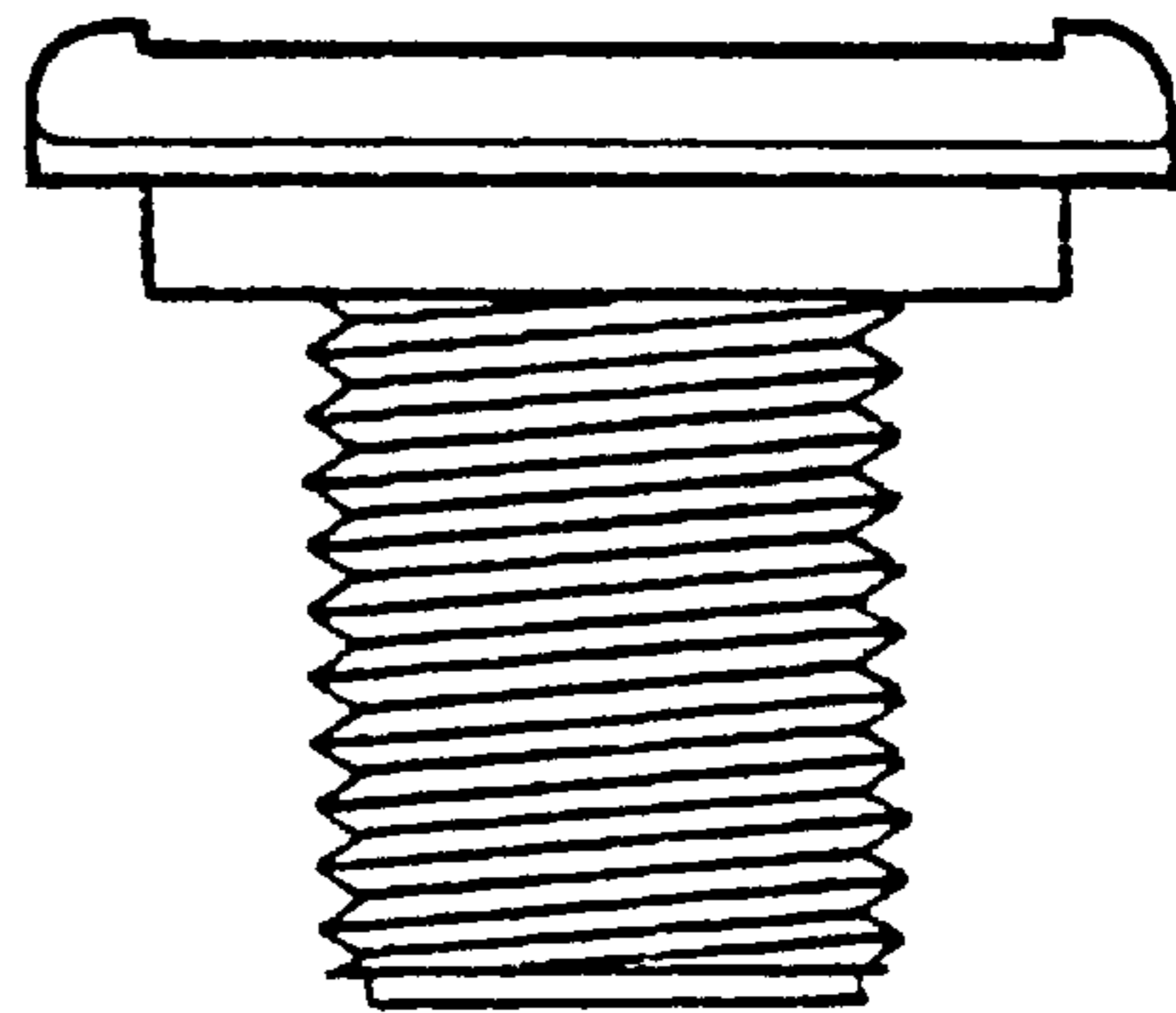


FIG. 12

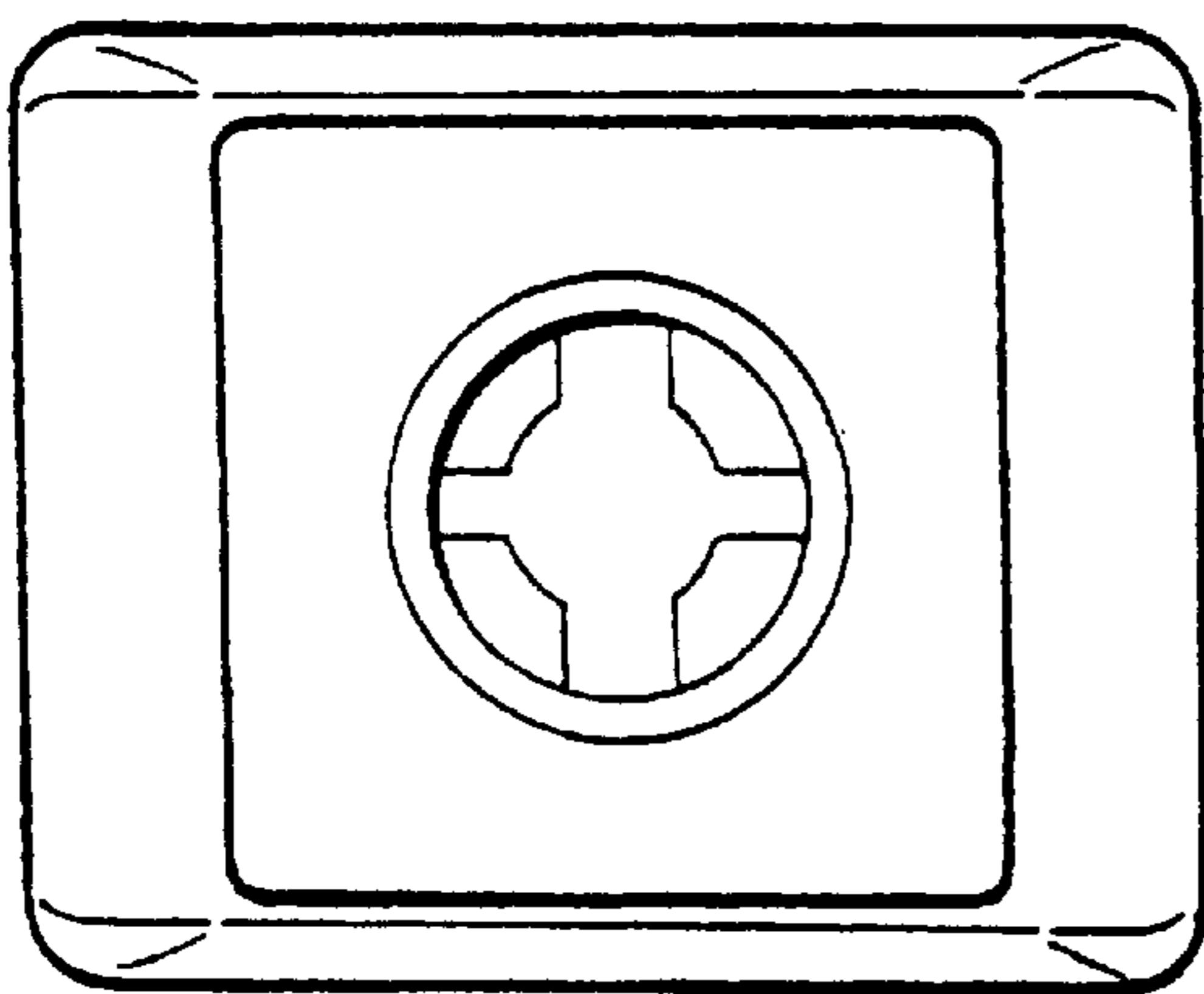


FIG. 11

