



US00D403304S

# United States Patent [19]

[11] **Patent Number: Des. 403,304**

**Awbrey et al.**

[45] **Date of Patent: \*\*Dec. 29, 1998**

[54] **EXPANDABLE POWER BLOCK**

[75] Inventors: **Jerry Awbrey**, Winder; **Michael Dewayne Brown**, Bethlehem, both of Ga.

[73] Assignee: **Esoteric Audio U.S.A., Inc.**, Winder, Ga.

[\*\*] Term: **14 Years**

[21] Appl. No.: **81,883**

[22] Filed: **Jan. 9, 1998**

[51] **LOC (6) Cl. .... 13-03**

[52] **U.S. Cl. .... D13/151**

[58] **Field of Search .... D13/151, 146, D13/120; 439/798, 810, 814**

[56] **References Cited**

**U.S. PATENT DOCUMENTS**

D. 316,701	5/1991	Hill	.....	D13/120
D. 342,937	1/1994	Angel, Jr. et al.	.....	D13/146
D. 361,750	8/1995	Ansley	.....	D13/151
3,546,364	12/1970	O'Neel	.....	439/810 X
5,266,057	11/1993	Angel, Jr. et al.	.....	439/798 X

*Primary Examiner*—Joel Sincavage  
*Attorney, Agent, or Firm*—Thomas, Kayden, Horstemeyer & Risley

[57] **CLAIM**

The ornamental design for a expandable power block, as shown and described.

**DESCRIPTION**

FIG. 1 is a perspective view of a expandable power block in accordance with a preferred embodiment of the present invention;

FIG. 2 is a right side view of the expandable power block shown in FIG. 1;

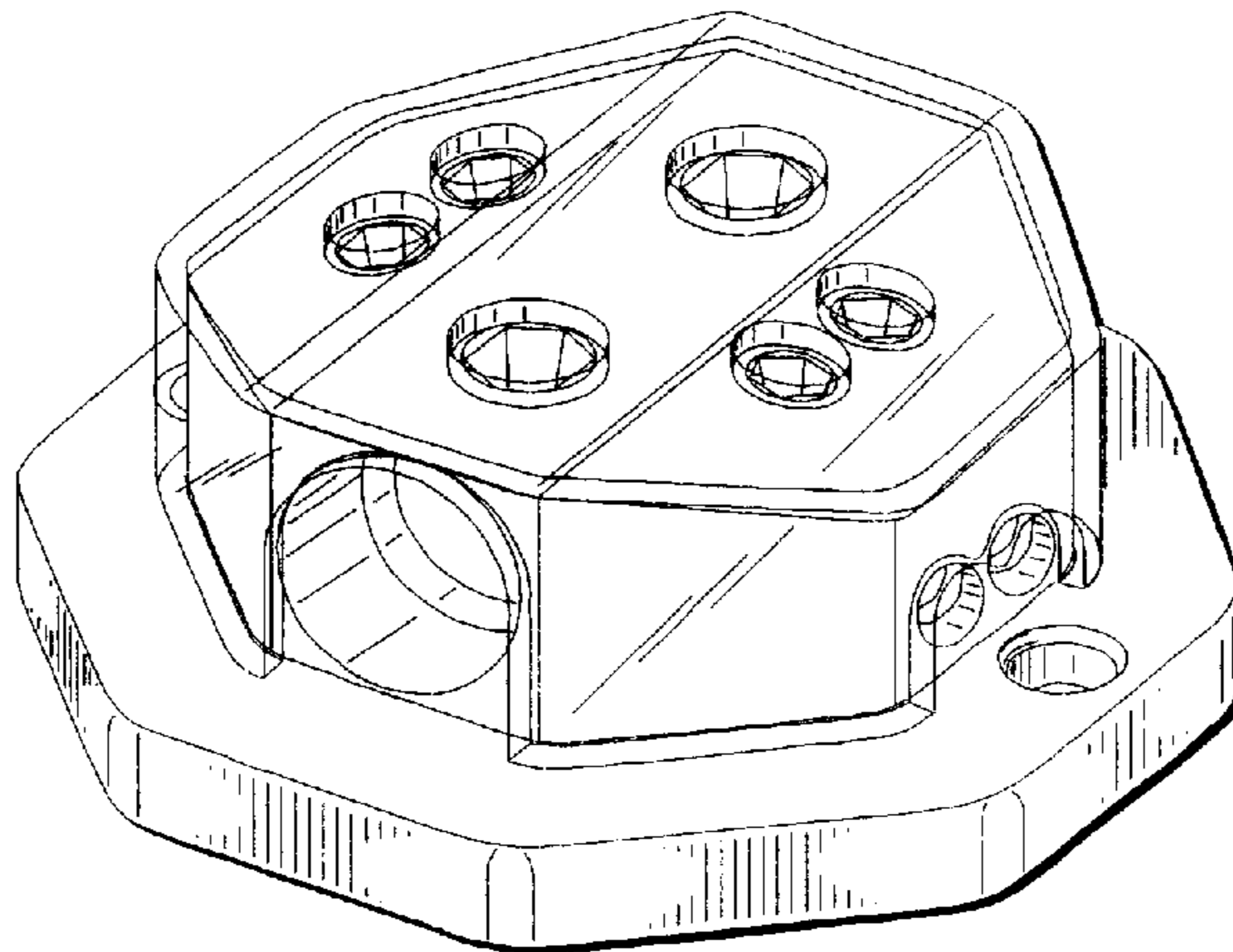
FIG. 3 is a bottom view of the expandable power block shown in FIG. 1;

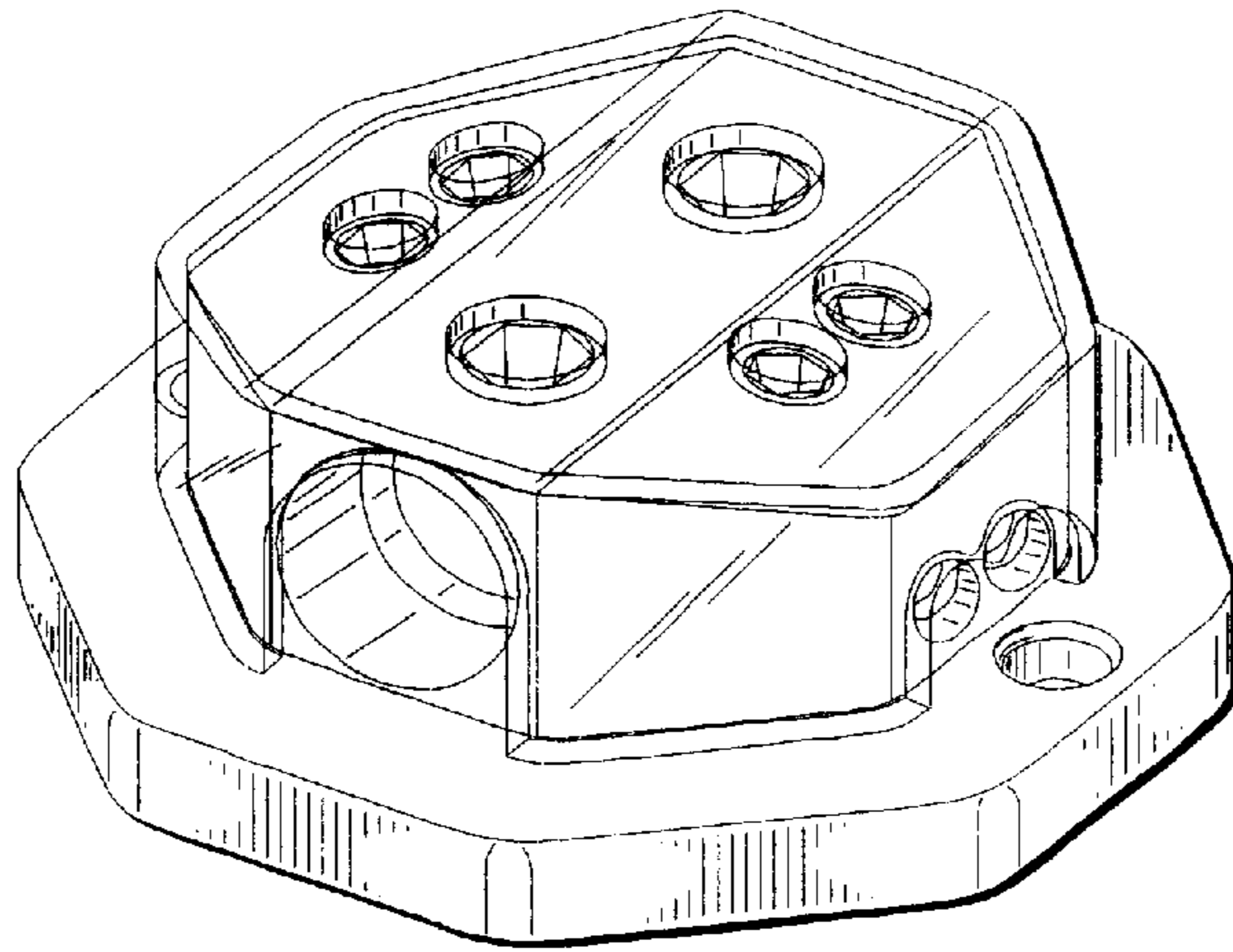
FIG. 4 is a front view of the expandable power block shown in FIG. 1; and,

FIG. 5 is a rear view view of the expandable power block shown in FIG. 1.

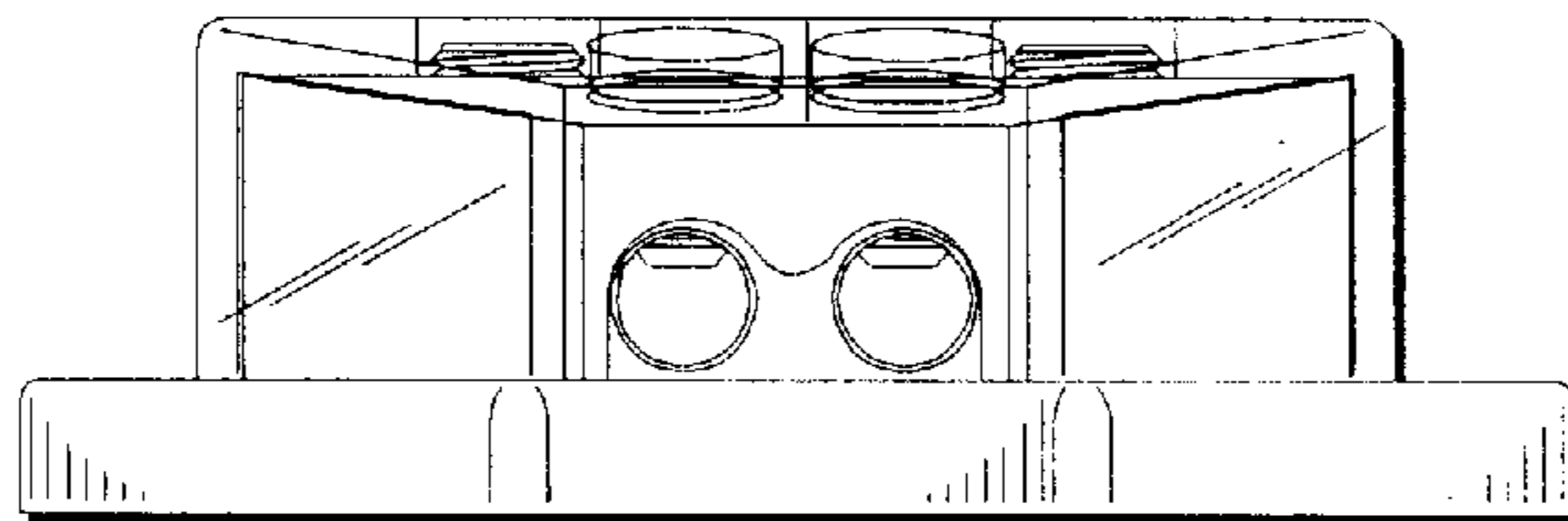
The expandable power block illustrated in the drawings is symmetric, wherein a left side view is the same as the right side view of FIG. 2, and a top view is the same as the bottom view of FIG. 3. Also, the shadowed lines of FIGS. 1, 2, 3, and 4 illustrate a clear plastic cover.

**1 Claim, 2 Drawing Sheets**

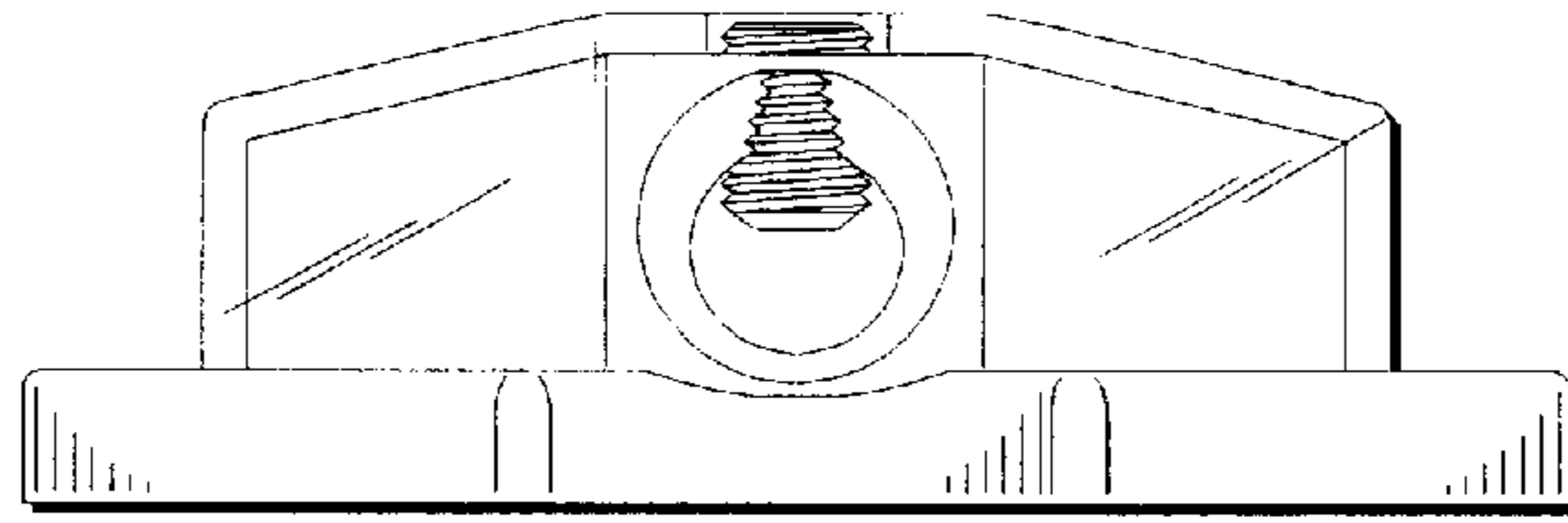




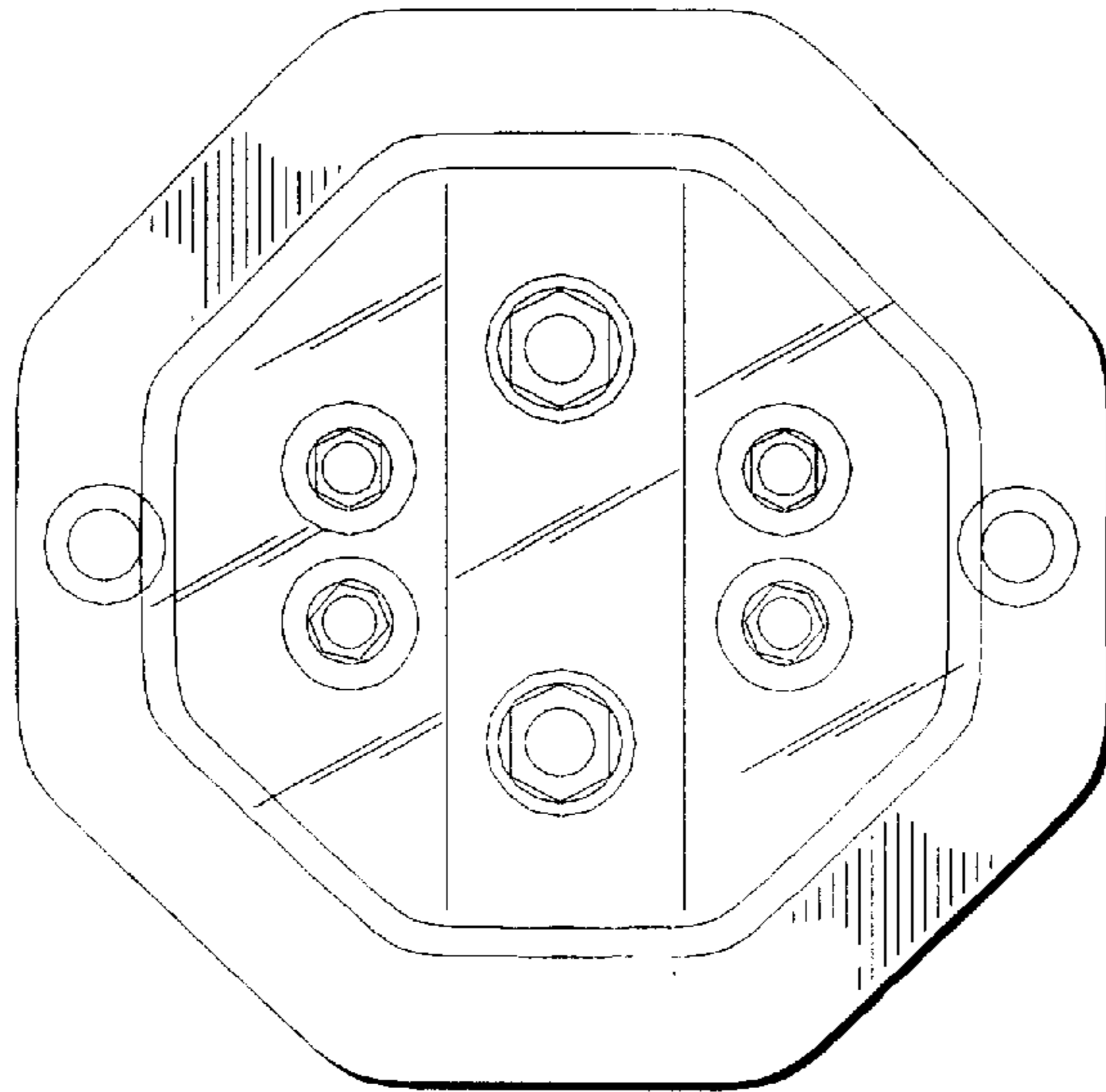
**FIG. 1**



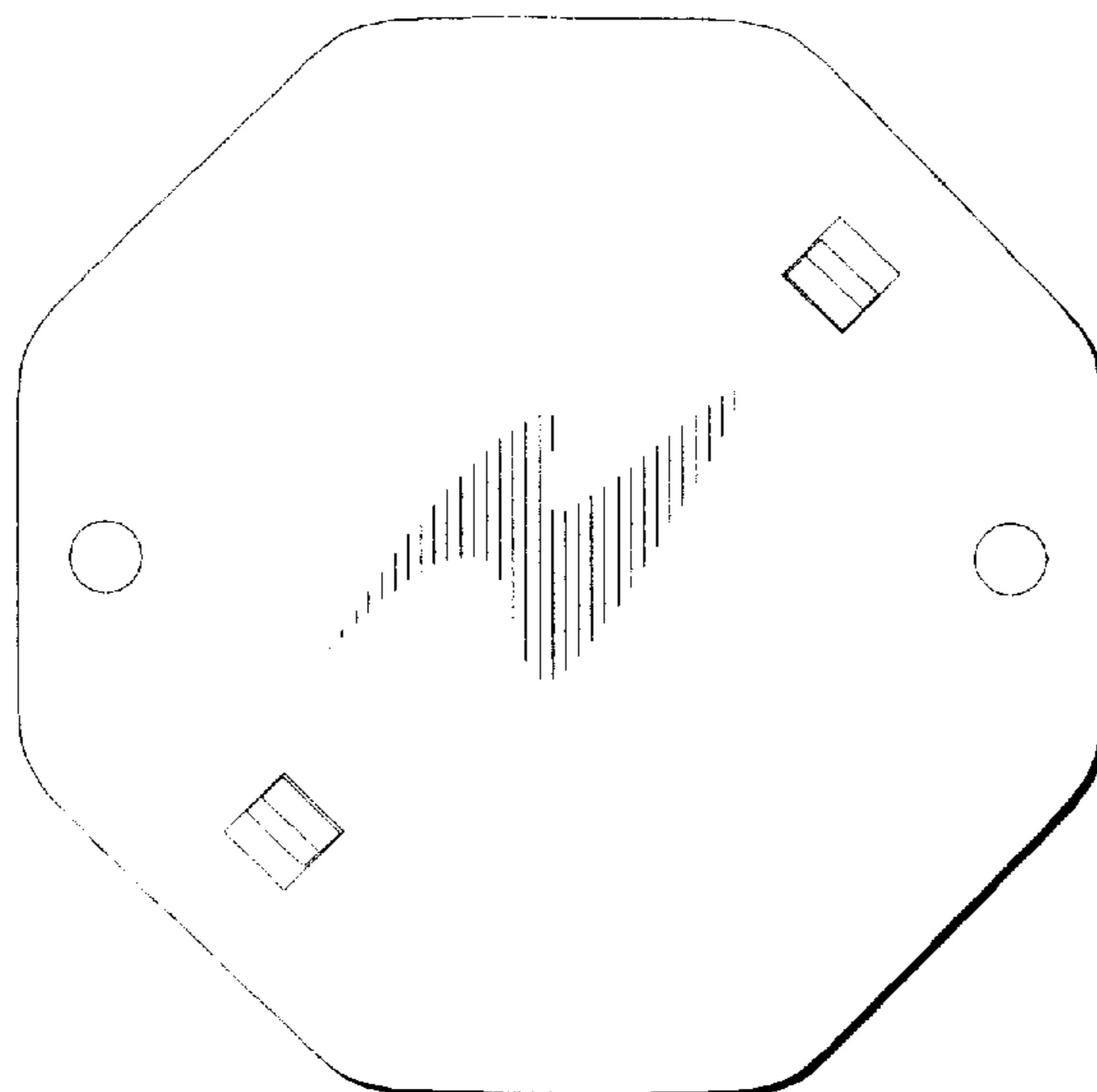
**FIG. 2**



**FIG. 3**



**FIG. 4**



**FIG. 5**