



US00D403303S

United States Patent [19]

Lai et al.

[11] **Patent Number: Des. 403,303**

[45] **Date of Patent: **Dec. 29, 1998**

[54] **MULTI-PLATE ELECTRICAL CONNECTOR**

[75] Inventors: **Chin-Yi Lai; Kun-Tsan Wu**, both of
Tu-Chen, Taiwan

[73] Assignee: **Hon Hai Precision Ind. Co., Ltd.**,
Taiwan

[**] Term: **14 Years**

[21] Appl. No.: **79,843**

[22] Filed: **Nov. 24, 1997**

[30] **Foreign Application Priority Data**

May 30, 1997 [TW] Taiwan 86304709

[51] **LOC (6) Cl.** **13-03**

[52] **U.S. Cl.** **D13/147**

[58] **Field of Search** D13/146, 147;
439/79-83, 95, 101, 108, 181, 607-610,
620

[56] **References Cited**

U.S. PATENT DOCUMENTS

D. 332,598 1/1993 Kikuta et al. D13/147

5,104,326 4/1992 Smith et al. 439/95
5,356,313 10/1994 Niwa et al. 439/607
5,423,696 6/1995 Sato 439/607

Primary Examiner—Alan P. Douglas
Assistant Examiner—Lavone D. Tabor

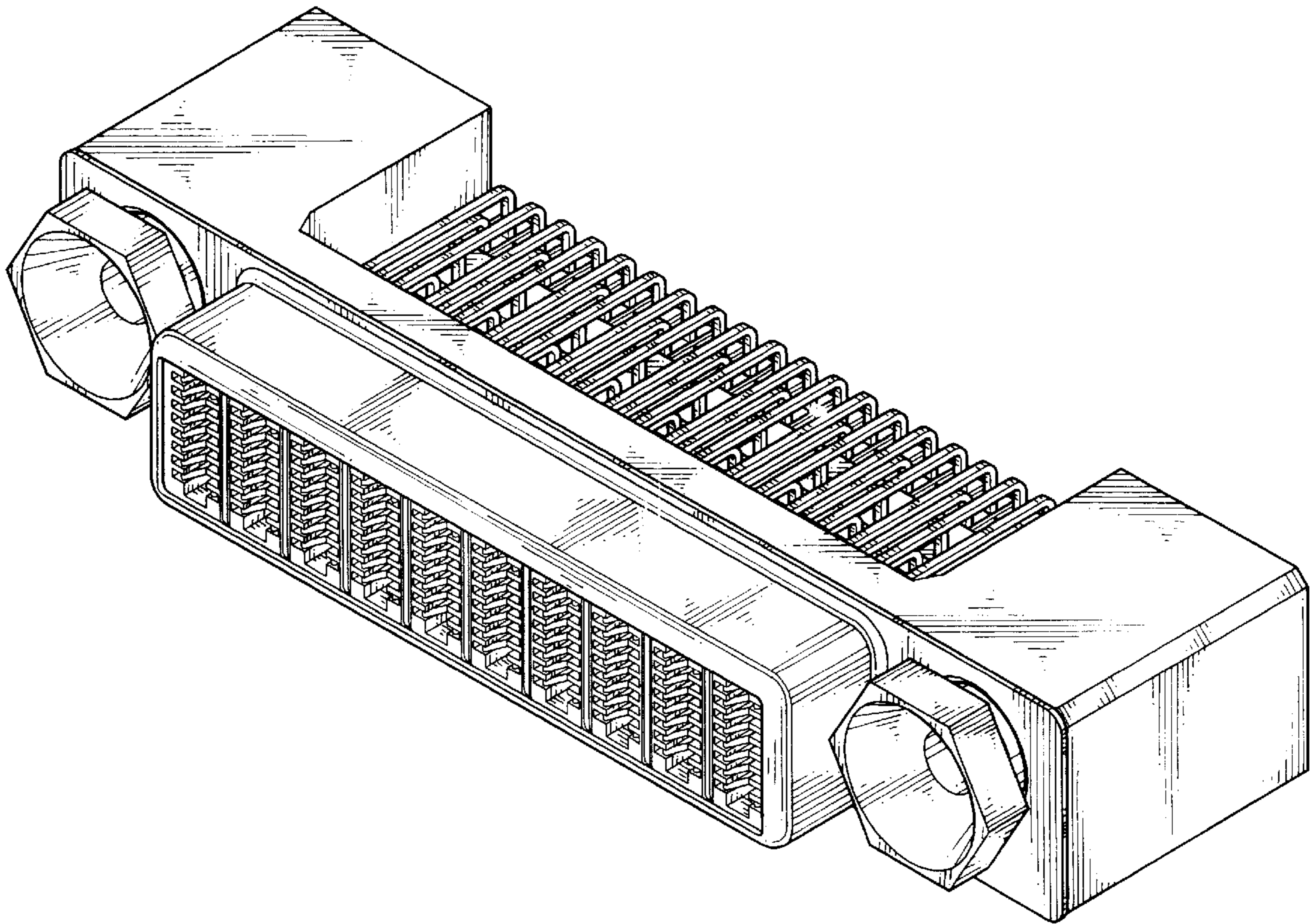
[57] **CLAIM**

The ornamental design for a multi-plate electrical connector,
as shown.

DESCRIPTION

FIG. 1 is a perspective view of a multi-plate electrical
connector showing our new design;
FIG. 2 is a front elevational view thereof;
FIG. 3 is a rear elevational view thereof;
FIG. 4 is a right side elevational view thereof;
FIG. 5 is a left side elevational view thereof;
FIG. 6 is a top plan view thereof; and,
FIG. 7 is a bottom plan view thereof.

1 Claim, 7 Drawing Sheets



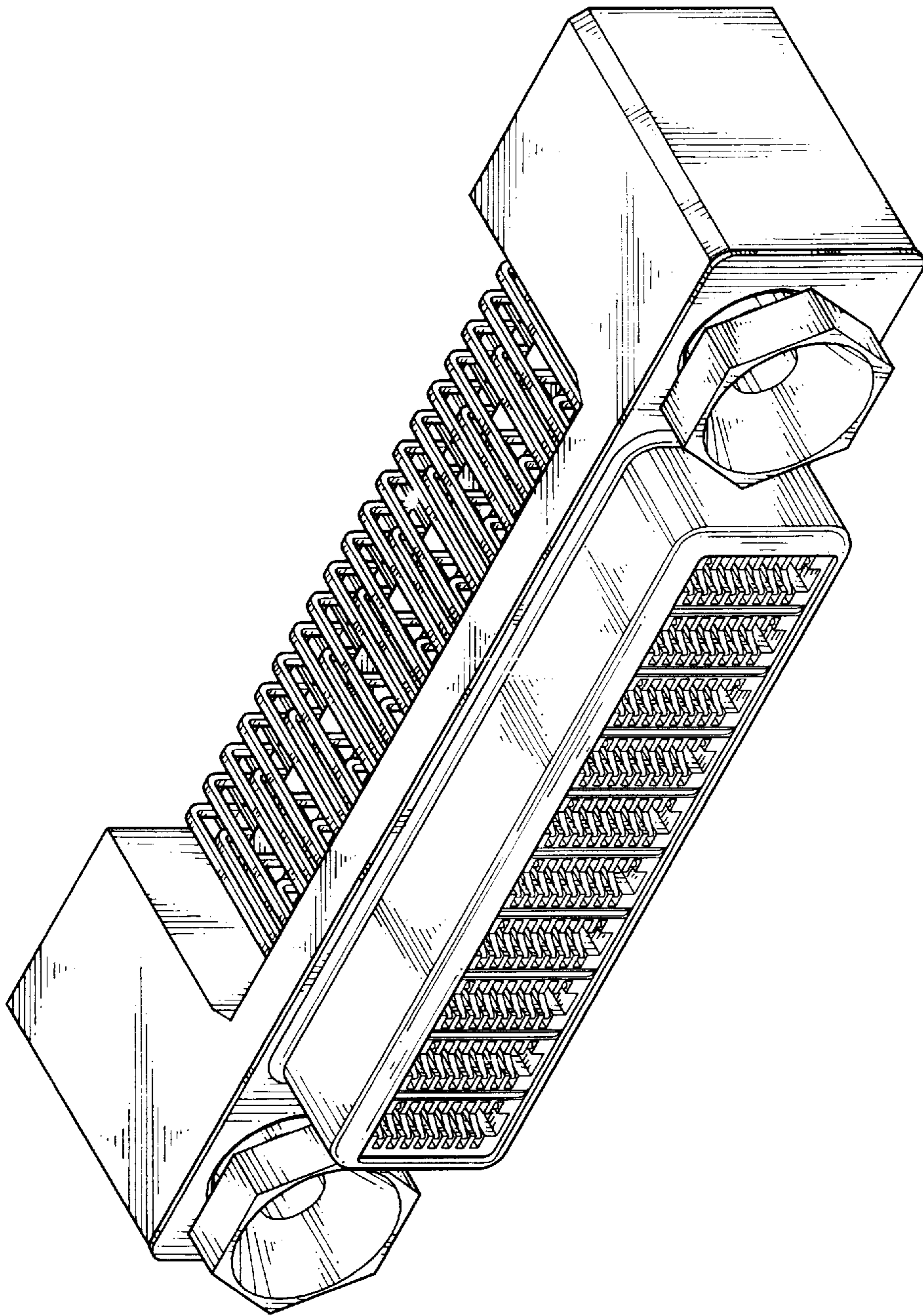


FIG.1

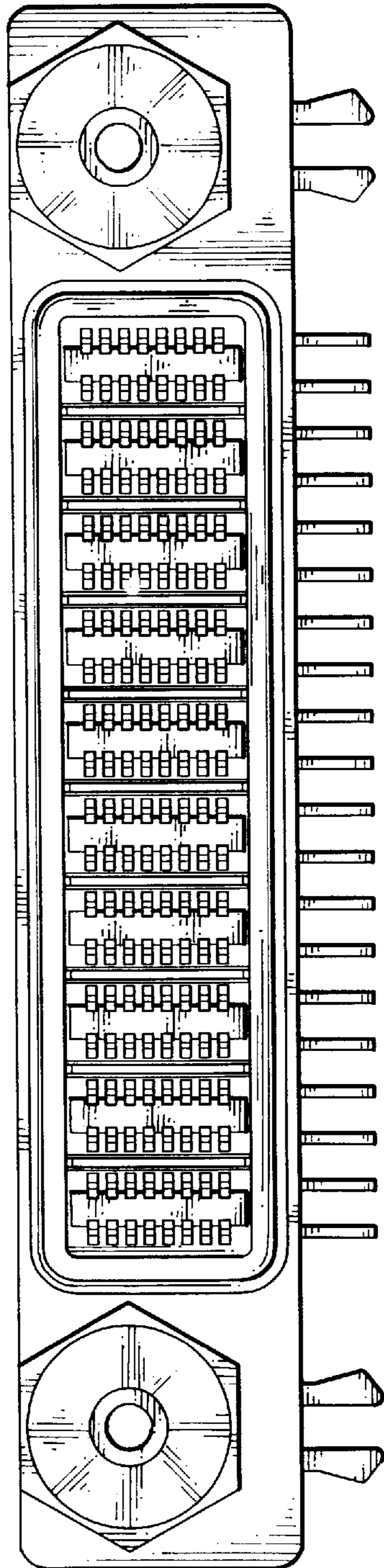


FIG. 2

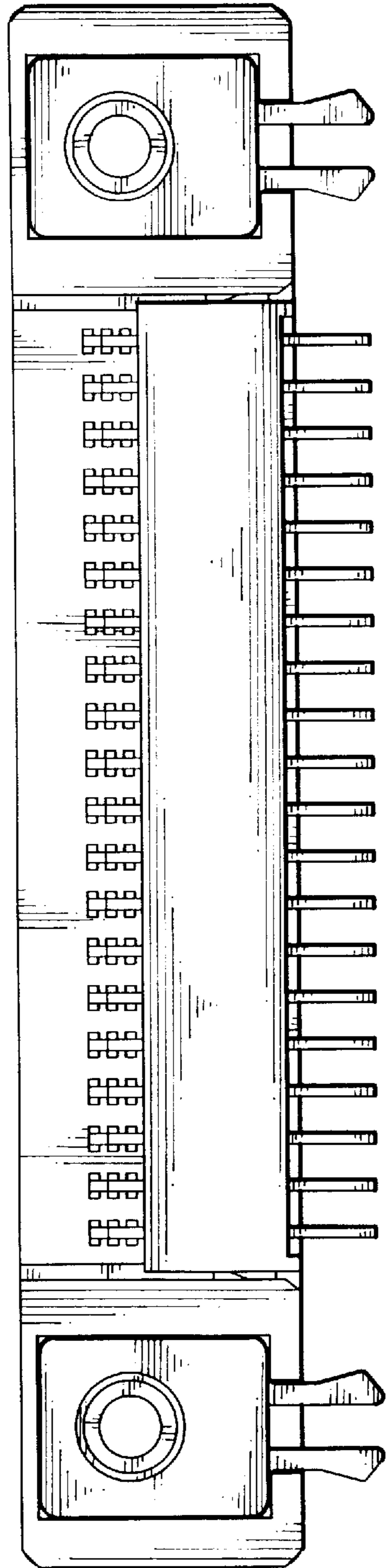


FIG. 3

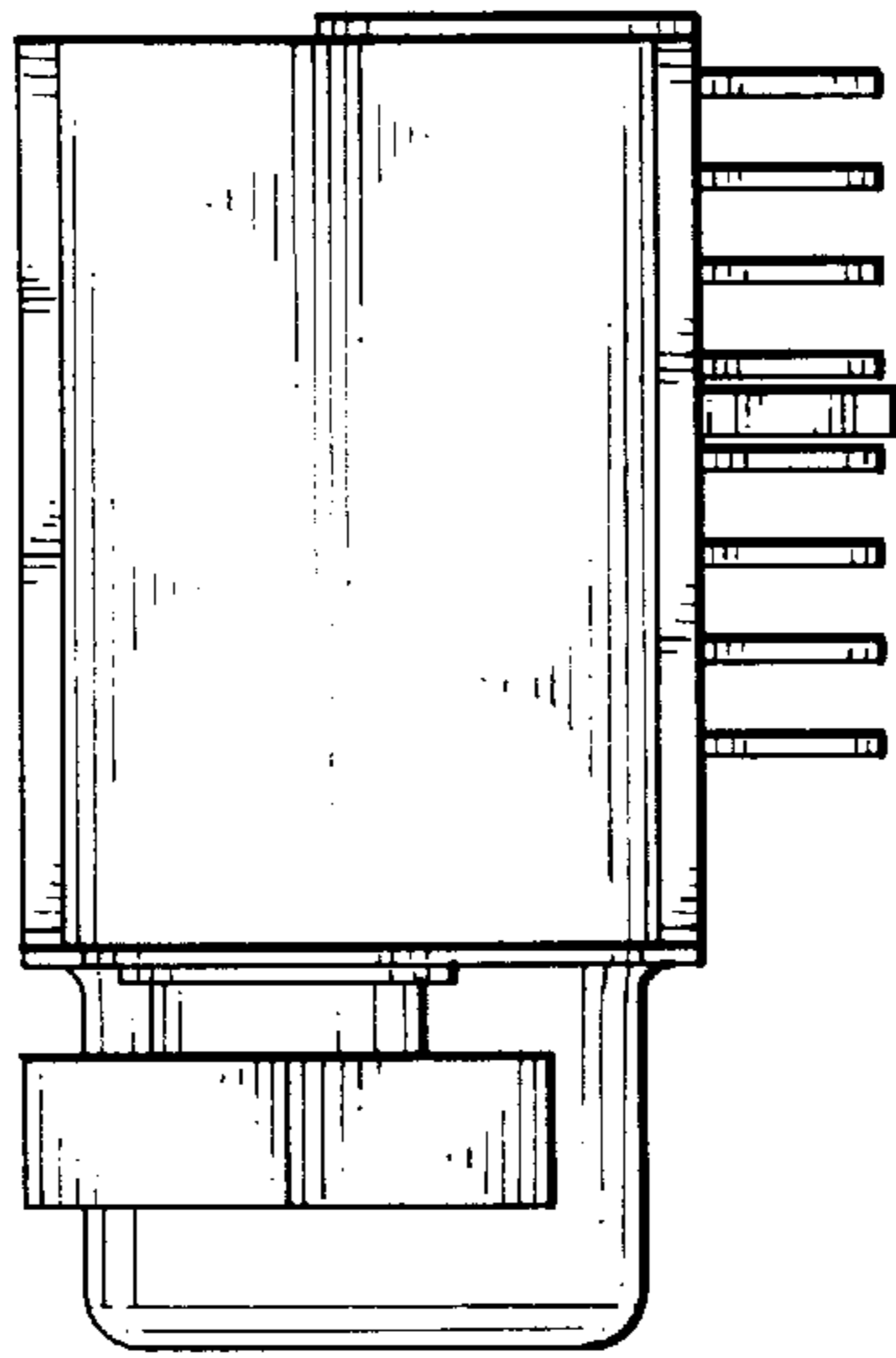


FIG. 4

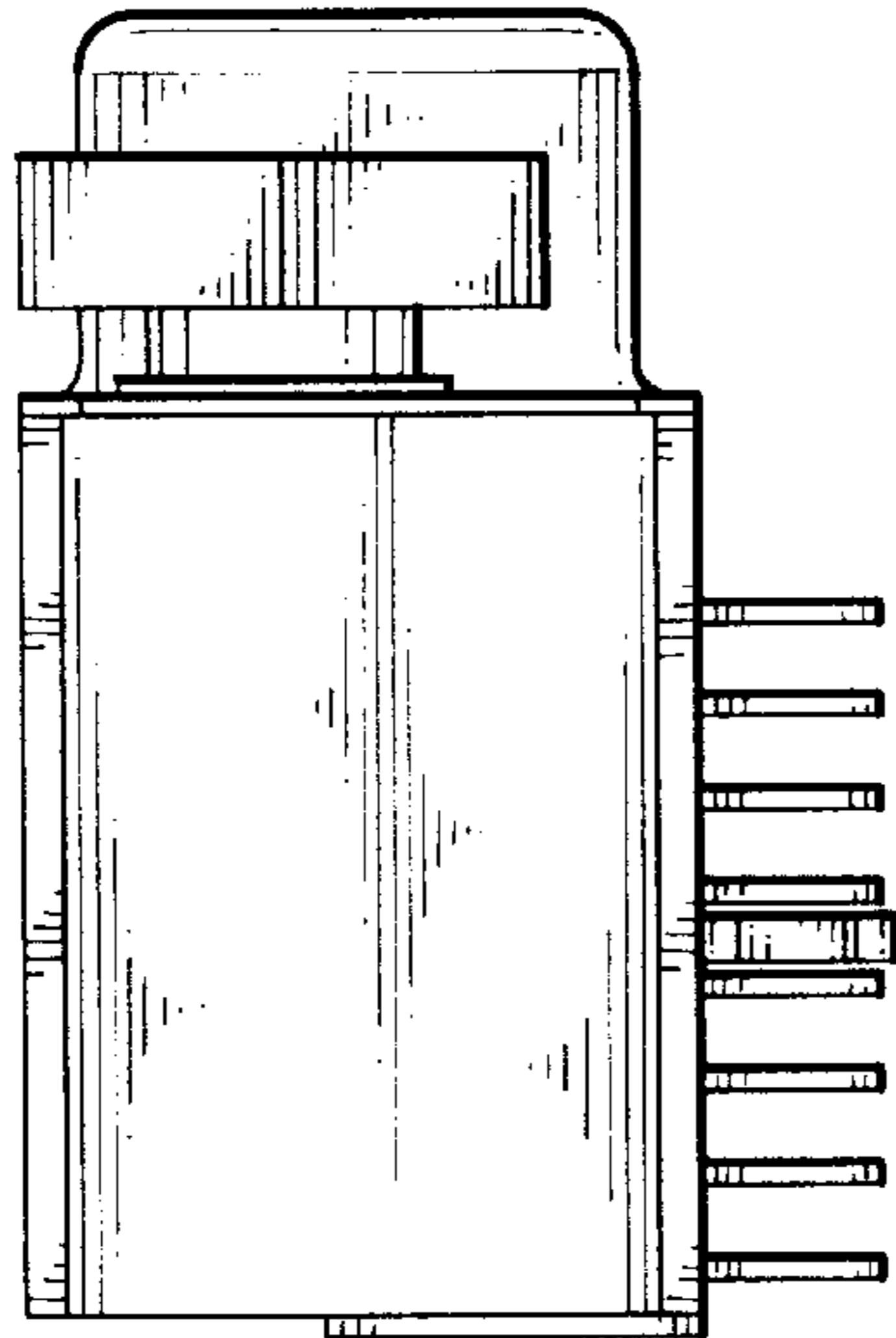


FIG. 5

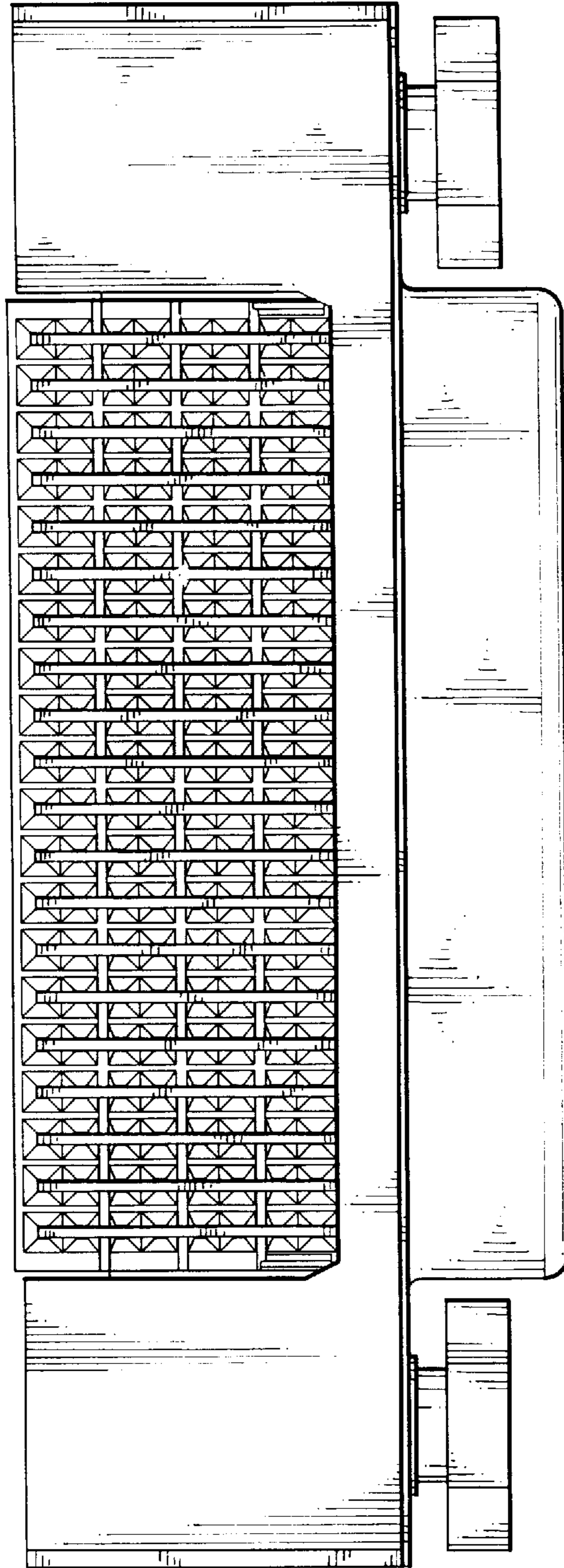


FIG.6

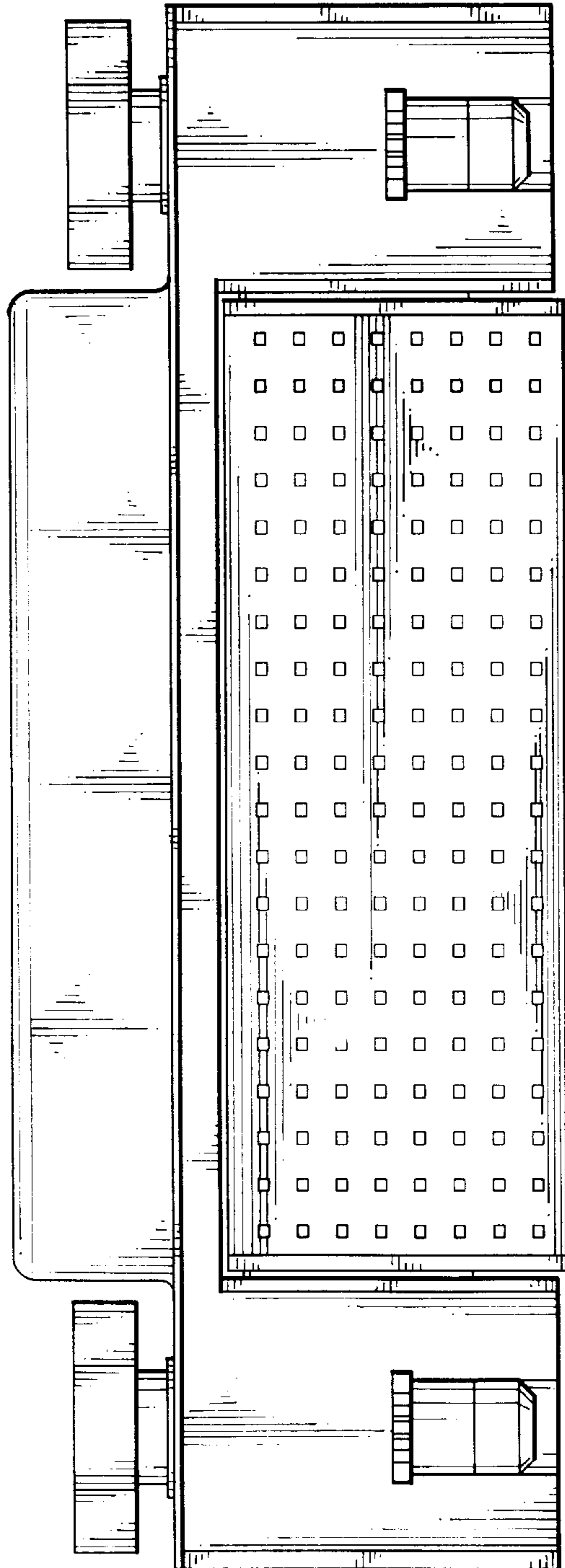


FIG. 7