



US00D403299S

United States Patent [19]

Smith et al.

[11] **Patent Number: Des. 403,299**

[45] **Date of Patent: **Dec. 29, 1998**

[54] **BATTERY CASE**

[75] Inventors: **Richard B. Smith; David Suske**, both of Bethel; **Cely O'Brien**, Danbury, all of Conn.

[73] Assignee: **Duracell Inc.**, Bethel, Conn.

[**] Term: **14 Years**

[21] Appl. No.: **82,527**

[22] Filed: **Jan. 23, 1998**

[51] **LOC (6) Cl. 13-02**

[52] **U.S. Cl. D13/103**

[58] **Field of Search D13/103; D14/138; 429/96-100, 163, 176**

[56] **References Cited**

U.S. PATENT DOCUMENTS

D. 353,361	12/1994	Nagele	D13/103
D. 357,986	5/1995	Berry	D13/103
D. 360,185	7/1995	Kobayashi	D13/103
D. 361,309	8/1995	White	D13/103
D. 366,452	1/1996	Lindahl	D13/103
D. 374,007	9/1996	Tattari	D14/138

D. 379,962	6/1997	Nuovo et al.	D13/103
D. 384,327	9/1997	Nakui	D13/103
D. 386,147	11/1997	Siddoway	D13/103
D. 392,248	3/1998	Johansson	D13/103

OTHER PUBLICATIONS

Motorola Rifillable Battery Pak—Model 99324 A.

Primary Examiner—Joel Sincavage

Attorney, Agent, or Firm—Barry D. Josephs; Thomas G. Krivulka

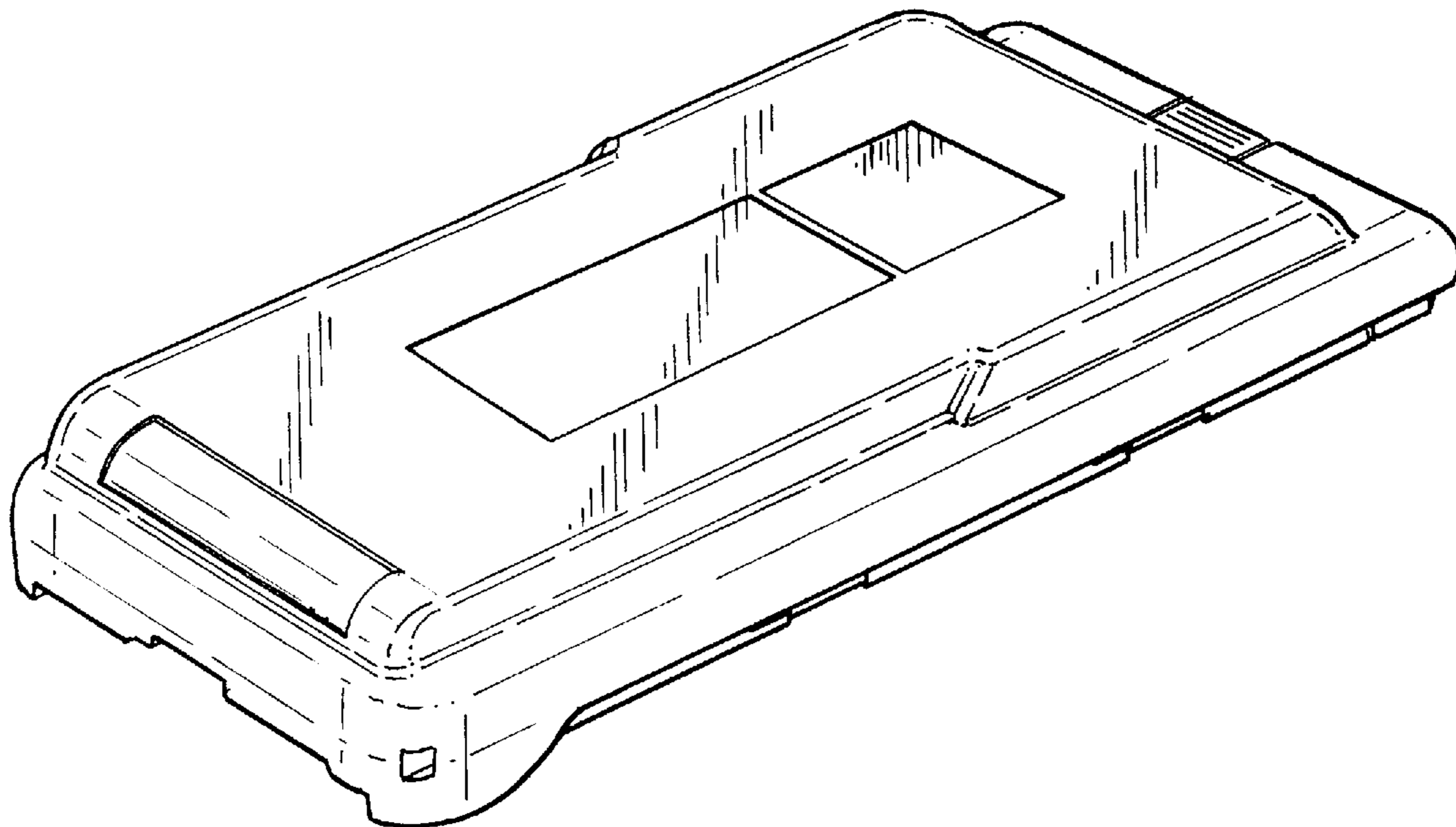
[57] **CLAIM**

The ornamental design for the battery case, as shown and described.

DESCRIPTION

FIG. 1 is a perspective view of the battery case;
 FIG. 2 is a top plan view thereof;
 FIG. 3 is a side elevation view thereof, the opposite side being a mirror image;
 FIG. 4 is a bottom plan view thereof;
 FIG. 5 is an end elevation view thereof; and,
 FIG. 6 is an opposite end elevation view thereof.

1 Claim, 2 Drawing Sheets



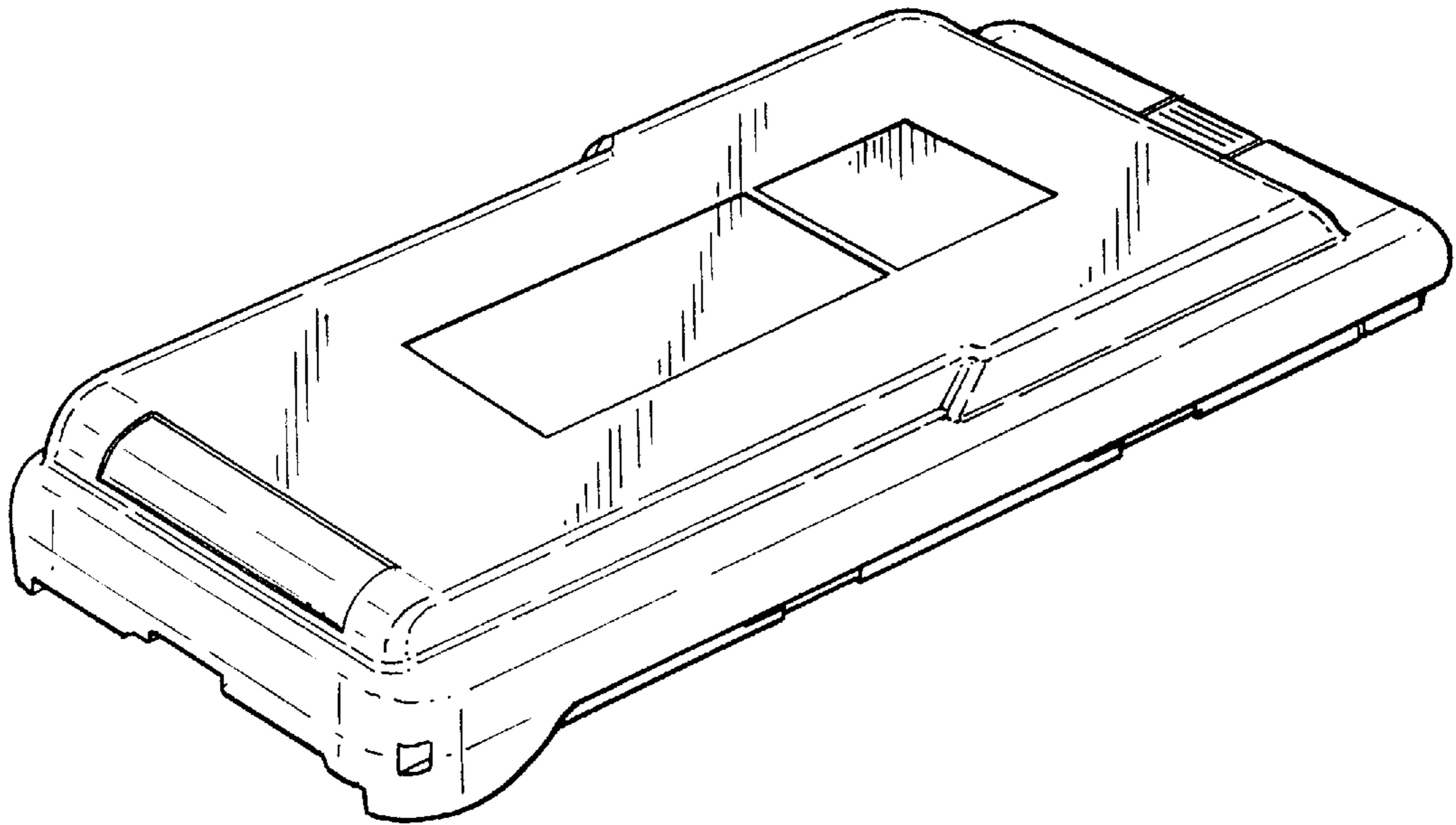


FIG. 1

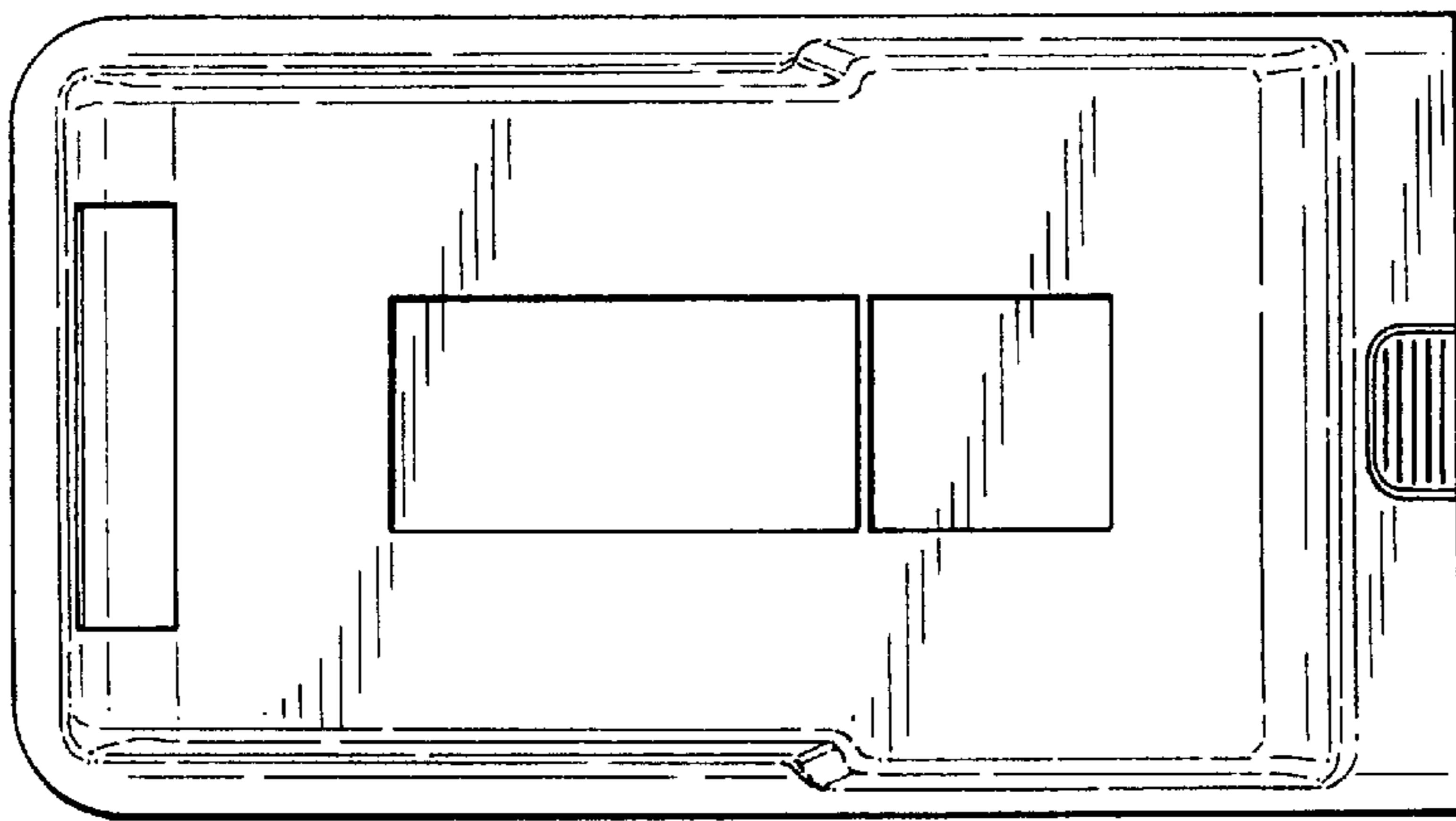


FIG. 2

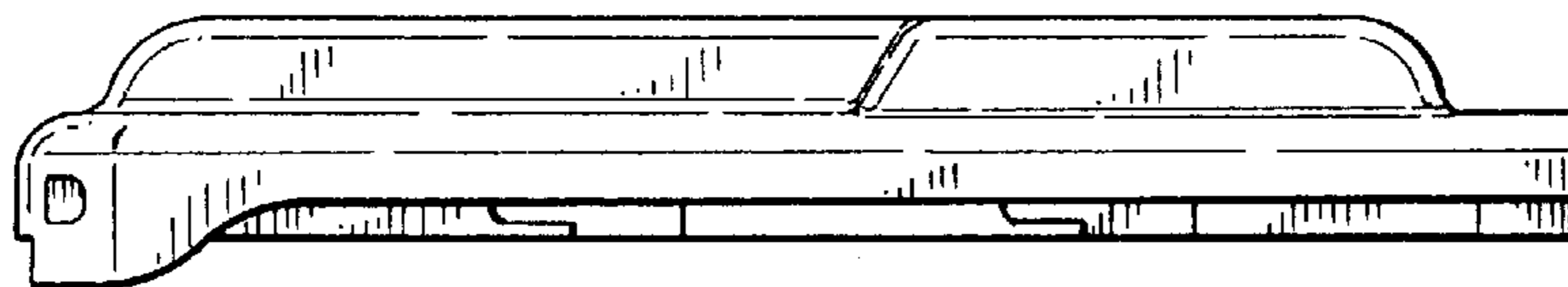


FIG. 3

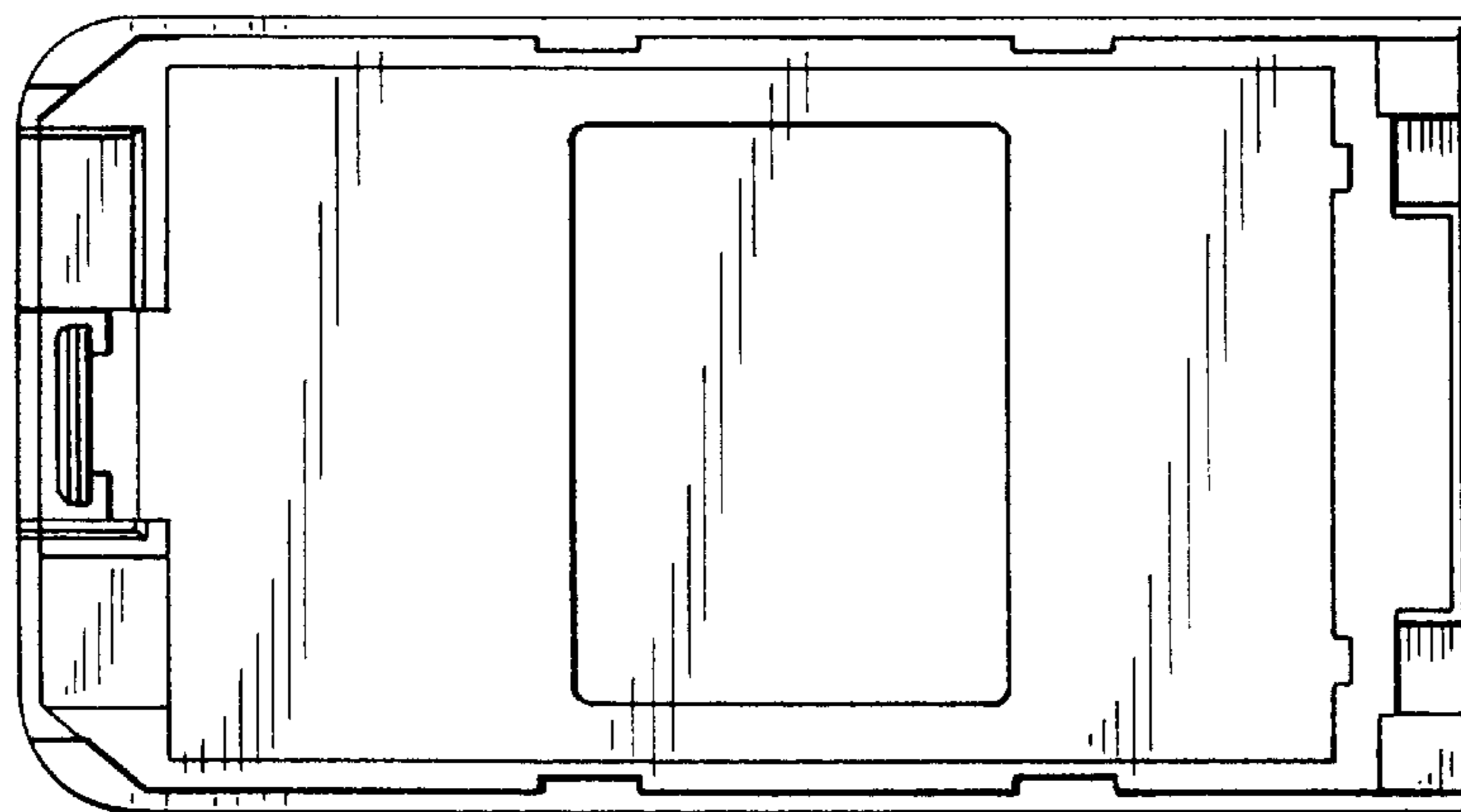


FIG. 4

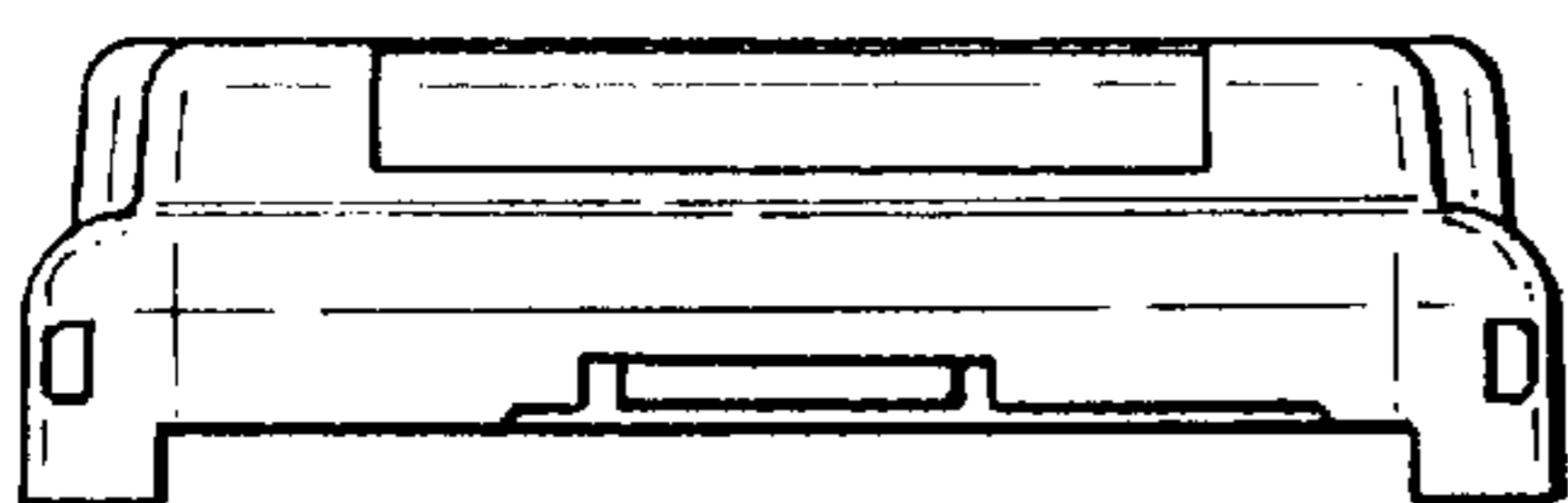


FIG. 5

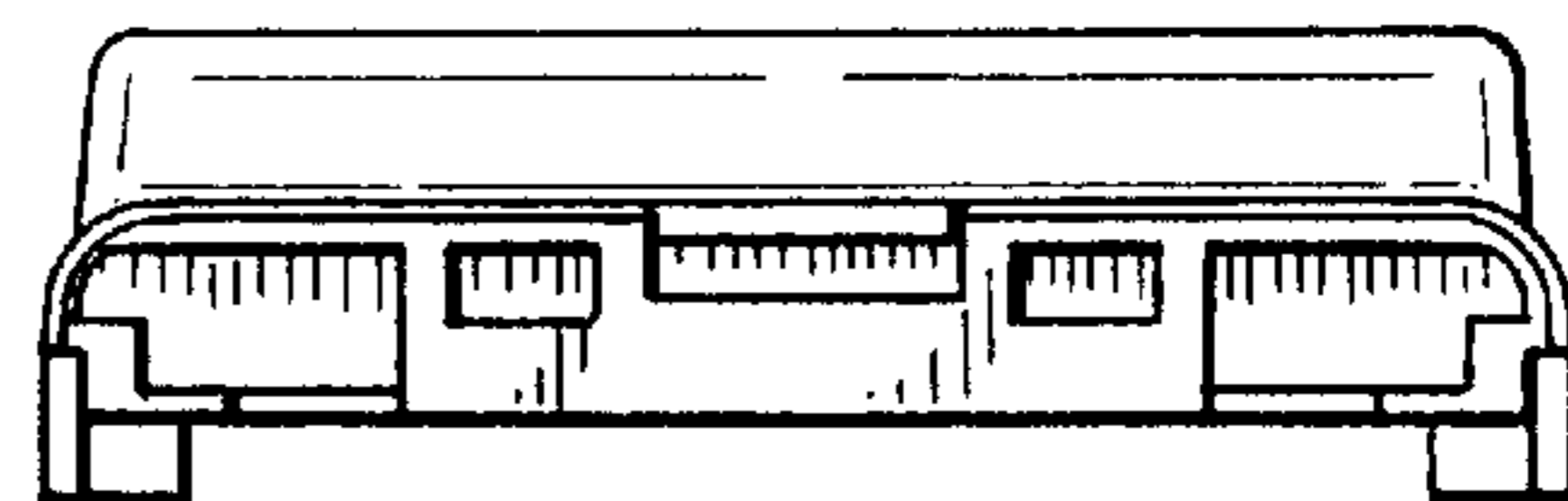


FIG. 6