



US00D403296S

United States Patent [19]

[11] **Patent Number: Des. 403,296**

Thomas

[45] **Date of Patent: **Dec. 29, 1998**

[54] **SUNGLASS CADDY**

[76] Inventor: **Charlie F. Thomas**, P.O. Box 1179,
Darby, Mont. 59829

[**] Term: **14 Years**

[21] Appl. No.: **72,817**

[22] Filed: **Jun. 25, 1997**

[51] **LOC (6) Cl.** **12-16**

[52] **U.S. Cl.** **D12/417; D12/191**

[58] **Field of Search** D12/417, 191;
D3/265, 266, 219; D6/567, 552, 553; D8/373;
296/97.1, 97.2, 97.4-97.9, 97.11; 224/901.2,
901.4, 311, 312, 264, 257, 258, 901

[56] **References Cited**

U.S. PATENT DOCUMENTS

D. 292,595	11/1987	Tanaka	D12/417
D. 294,660	3/1988	Strongwater	D12/417
D. 310,301	9/1990	Burrow	D12/417 X
D. 365,236	12/1995	Stockwell	D6/552
3,543,977	12/1970	Lockridge	24/250 X
4,055,873	11/1977	Kallman	224/901 X
4,858,801	8/1989	Sameniego	224/264

5,119,979	6/1992	Kallman	224/250
5,214,874	6/1993	Faulkner	224/250 X
5,433,359	7/1995	Flowers	224/901 X
5,460,308	10/1995	Hahn	224/257

Primary Examiner—Gary D. Watson
Assistant Examiner—Stacia Sinuik

[57] **CLAIM**

The ornamental design for a sunglass caddy, as shown and described.

DESCRIPTION

FIG. 1 is a front view;
 FIG. 2 is a back view;
 FIG. 3 is a right side view. The left side is a mirror image of the right side;
 FIG. 4 is an enlarged top view thereof;
 FIG. 5 is an enlarged bottom end view thereof; and,
 FIG. 6 is an enlarged perspective view thereof. The broken line showing of the car visor, sunglasses and pencil is for illustrative purposes only and forms no part of the claimed design.
 The dashed lines on the sunglass caddy in FIGS. 1 and 6 are understood to represent stitching.

1 Claim, 2 Drawing Sheets

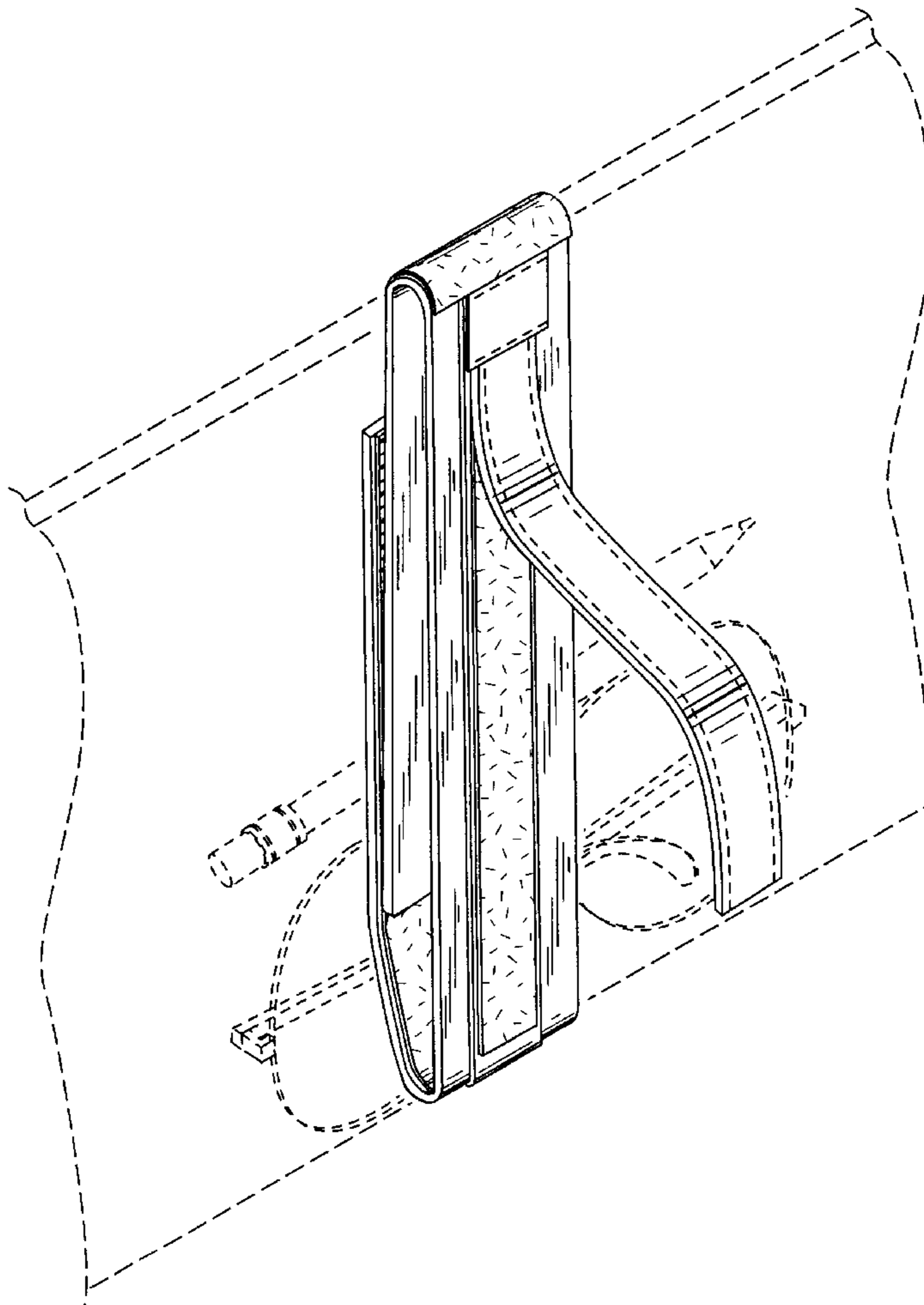


FIG. 1



FIG. 2



FIG. 3

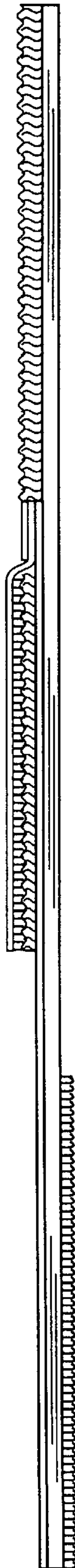


FIG. 4

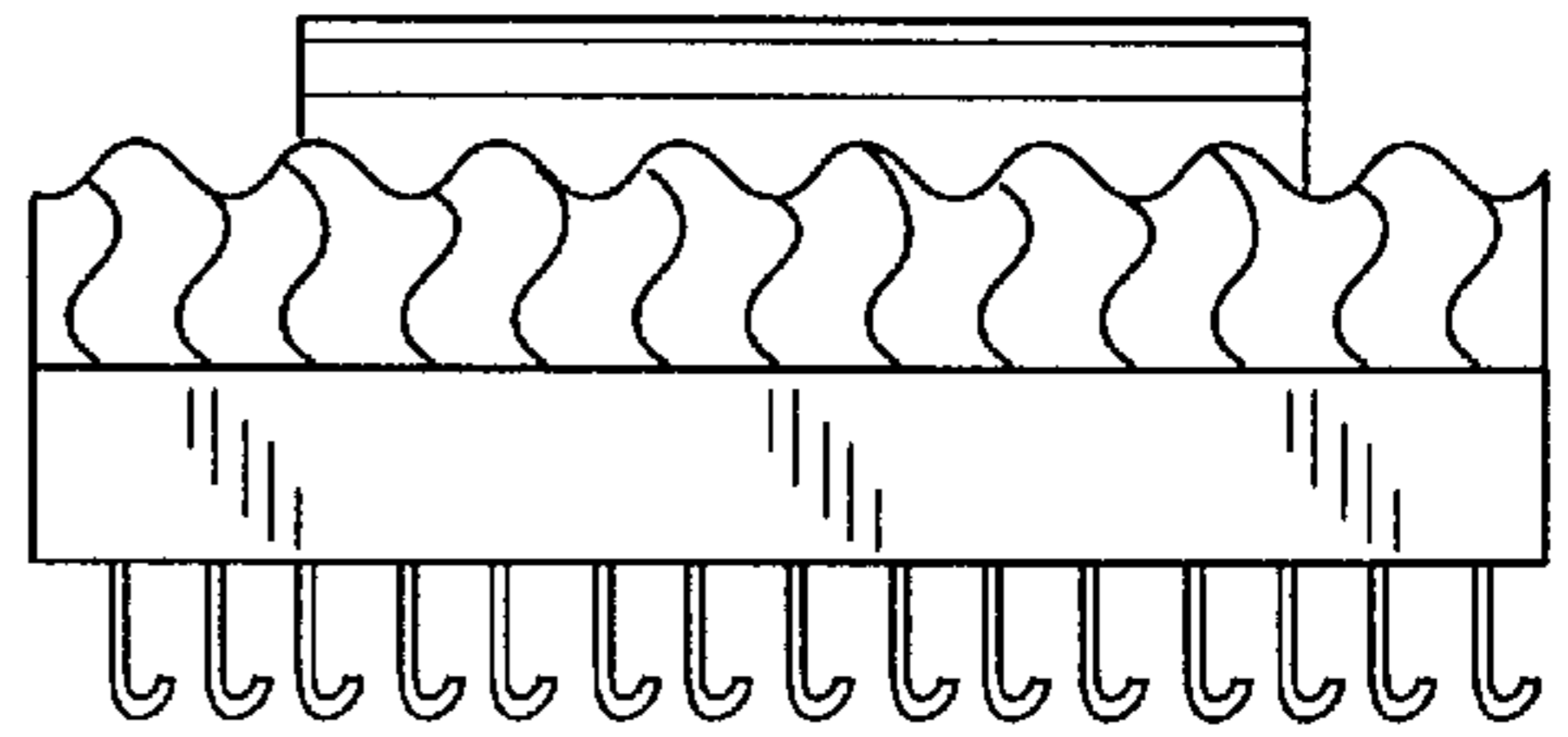


FIG. 5

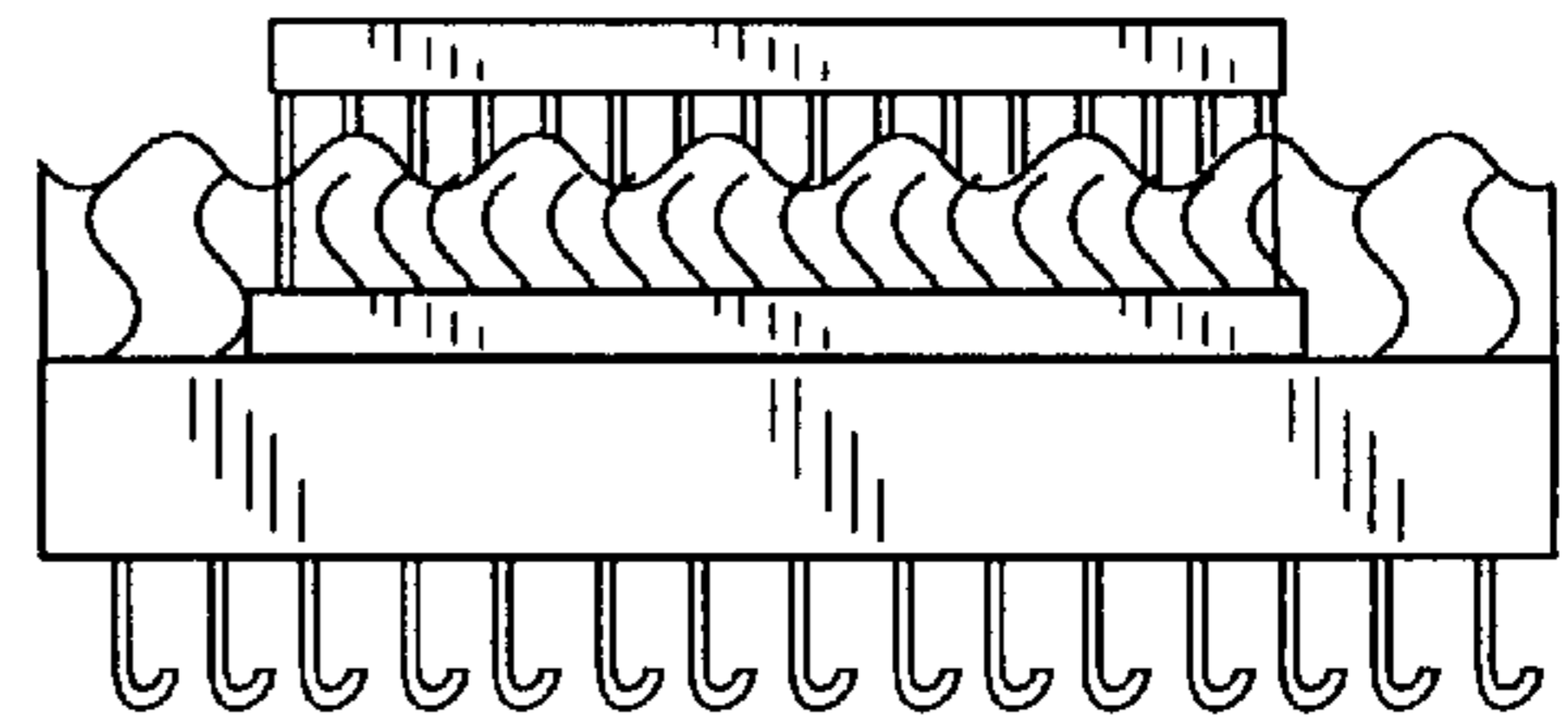


FIG. 6

