



US00D403295S

# United States Patent [19]

Baldwin et al.

[11] Patent Number: **Des. 403,295**

[45] Date of Patent: **\*\*Dec. 29, 1998**

[54] **HOLDER FOR SECURING EYEGLASSES TO A SUNVISOR**

[75] Inventors: **Joseph R. Baldwin**, Hempstead; **Flavio Rivera**, Brooklyn, both of N.Y.

[73] Assignee: **Creative Minds Of Long Island, Inc.**, Hempstead, N.Y.

[\*\*] Term: **14 Years**

[21] Appl. No.: **82,026**

[22] Filed: **Jan. 13, 1998**

[51] **LOC (6) Cl.** ..... **12-16**

[52] **U.S. Cl.** ..... **D12/417; D3/266; D3/566; D8/370**

[58] **Field of Search** ..... D12/191, 400, D12/415, 417; D6/566, 313, 458; D3/266, 265; D8/370; D16/330, 336, 339, 136; 248/249-250, 235, 220.2, 220.4, 221.1, 302-304; 211/181, 106; 296/97.5; 224/42.11, 44.42, 273, 327

[56] **References Cited**

**U.S. PATENT DOCUMENTS**

D. 204,021	3/1966	Bachmann	.....	D3/266
D. 205,261	7/1966	Boxer	.....	D3/266
D. 266,932	11/1982	Liset	.....	D8/370 X
D. 282,548	2/1986	Shells	.....	D3/266
D. 284,426	7/1986	Morris	.....	D6/566 X
D. 306,739	3/1990	Mackiewich	.....	D3/266

D. 319,125	8/1991	Currie	.....	D6/566 X
D. 329,414	9/1992	Herzig	.....	D12/415 X
D. 371,458	7/1996	Valls et al.	.....	D3/266
2,226,684	12/1940	Wortham	.....	248/302
2,735,597	2/1956	Treleven	.....	D12/417 X
2,881,926	4/1959	Spence	.....	D12/417 X
5,667,173	9/1997	Wilfong, Jr. et al.	.....	D6/566 X

*Primary Examiner*—James Gandy  
*Assistant Examiner*—Stacia Sinuik  
*Attorney, Agent, or Firm*—Darby & Darby

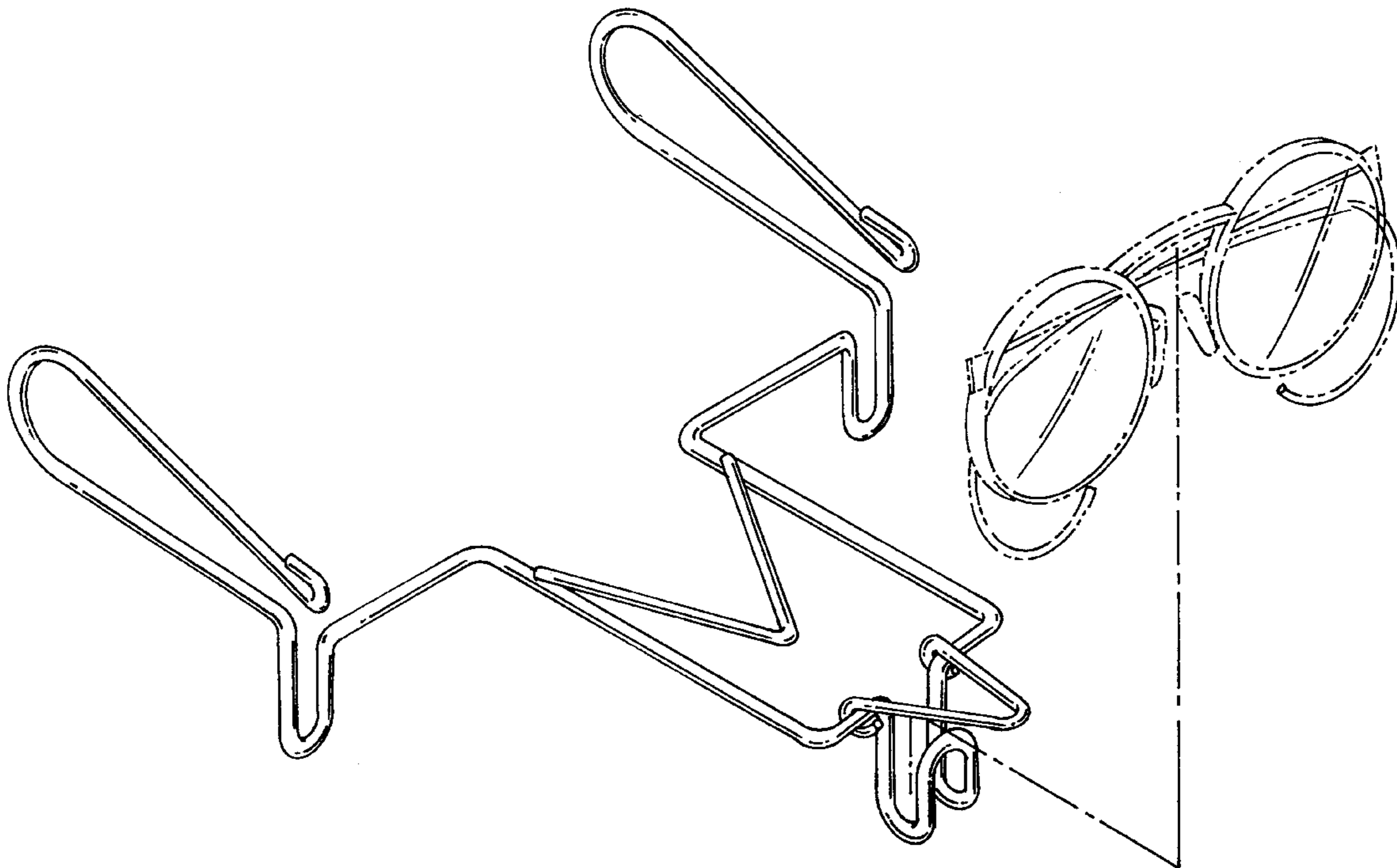
[57] **CLAIM**

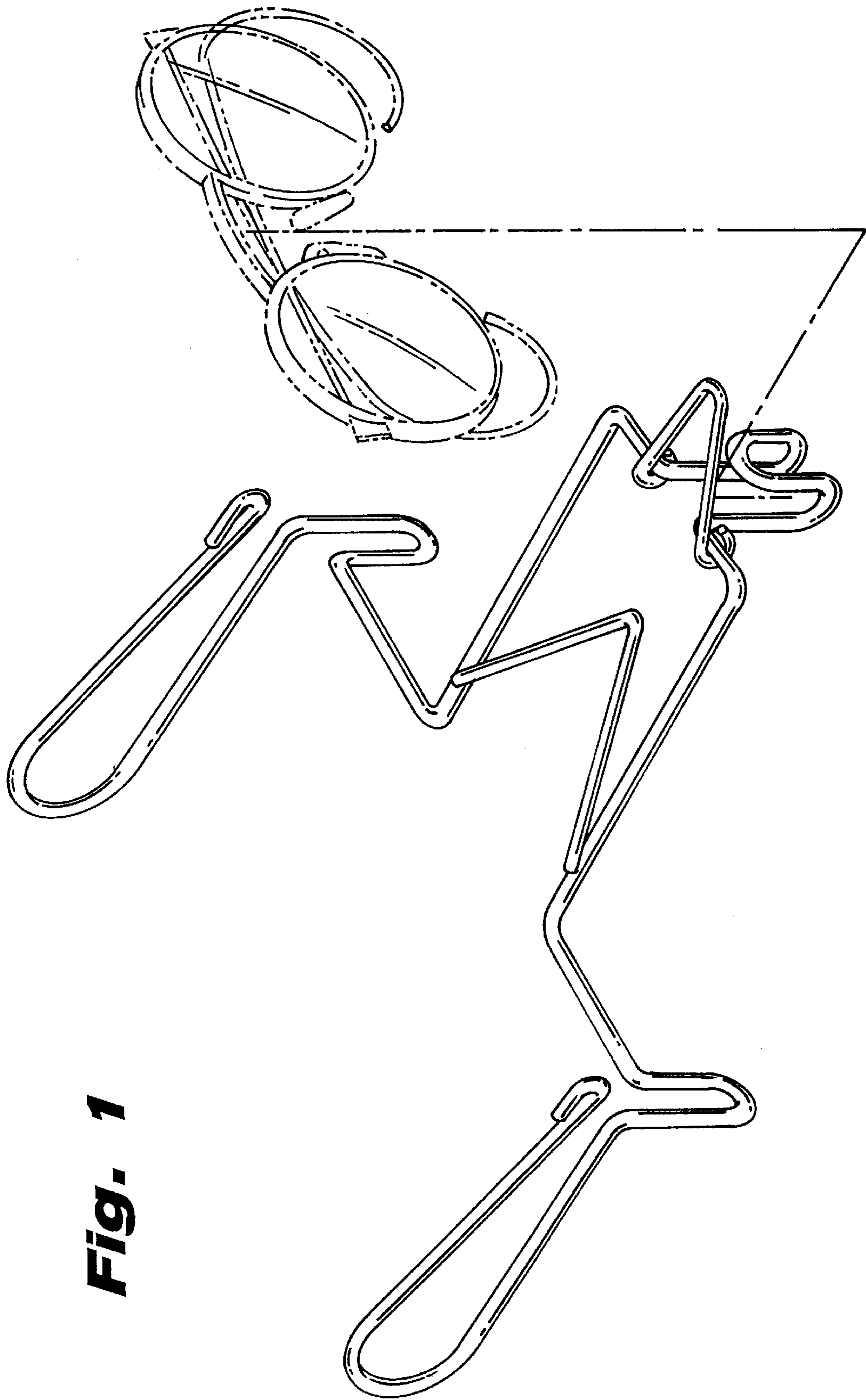
The ornamental design for a holder for securing eyeglasses to a sunvisor, as shown and described.

**DESCRIPTION**

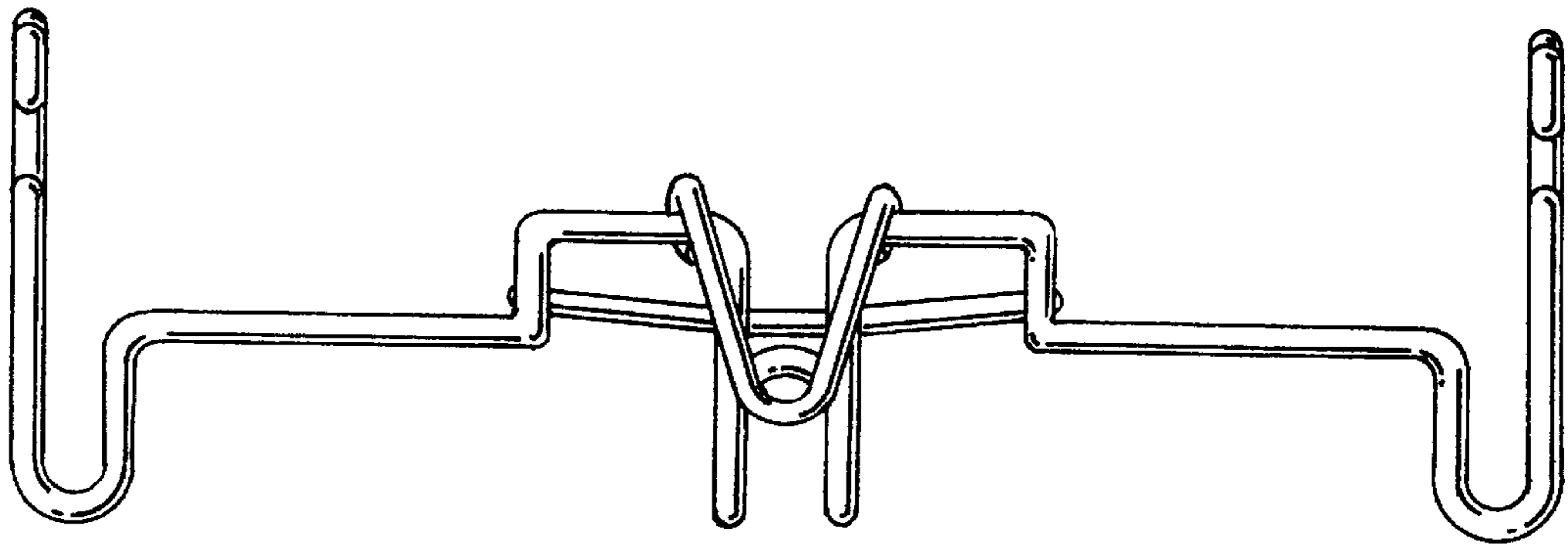
FIG. 1 is a top, front and left side perspective view of a holder for securing eyeglasses to a sunvisor showing our new design, with the latch shown in open position;  
FIG. 2 is a front elevation view thereof, with the latch shown in closed position;  
FIG. 3 is rear elevation view thereof, with the latch shown in closed position;  
FIG. 4 is a left side elevation view thereof with the latch shown in closed position, it being understood that the right side is a mirror image thereof;  
FIG. 5 is a top plan view; and,  
FIG. 6 is a bottom plan view thereof.  
The broken line showing of environment is for illustrative purposes only and forms no part of the claimed design.

**1 Claim, 5 Drawing Sheets**

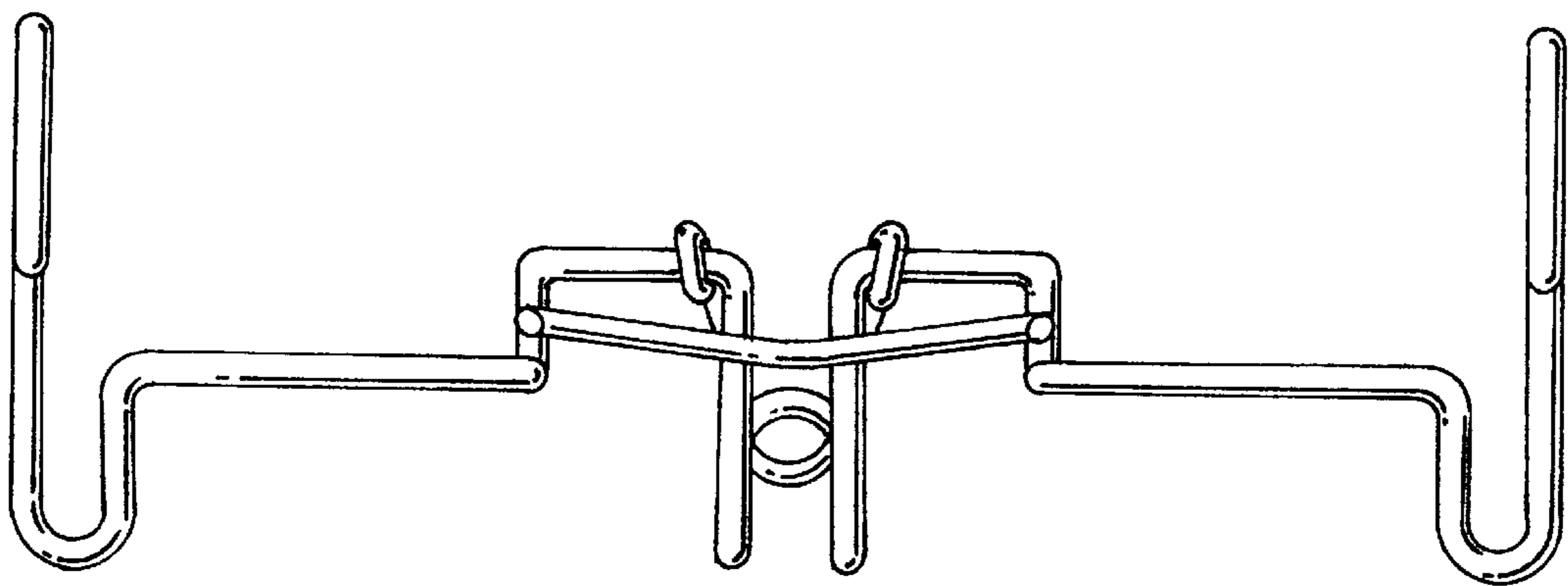




**Fig. 1**

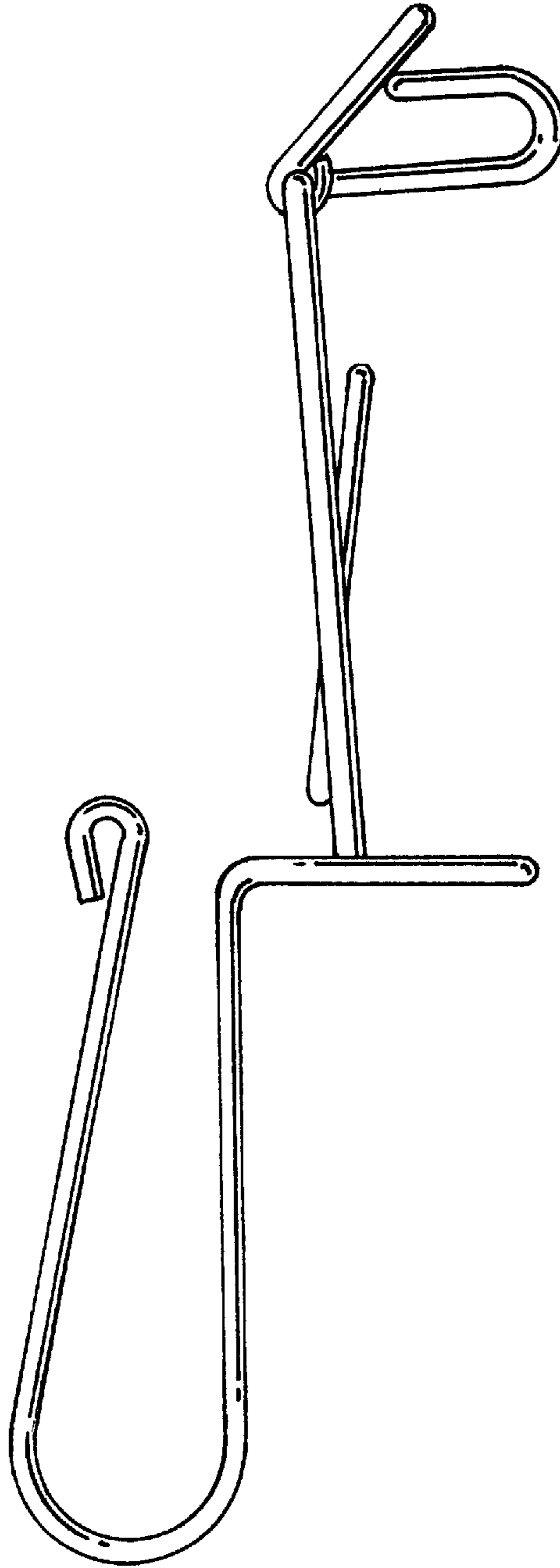


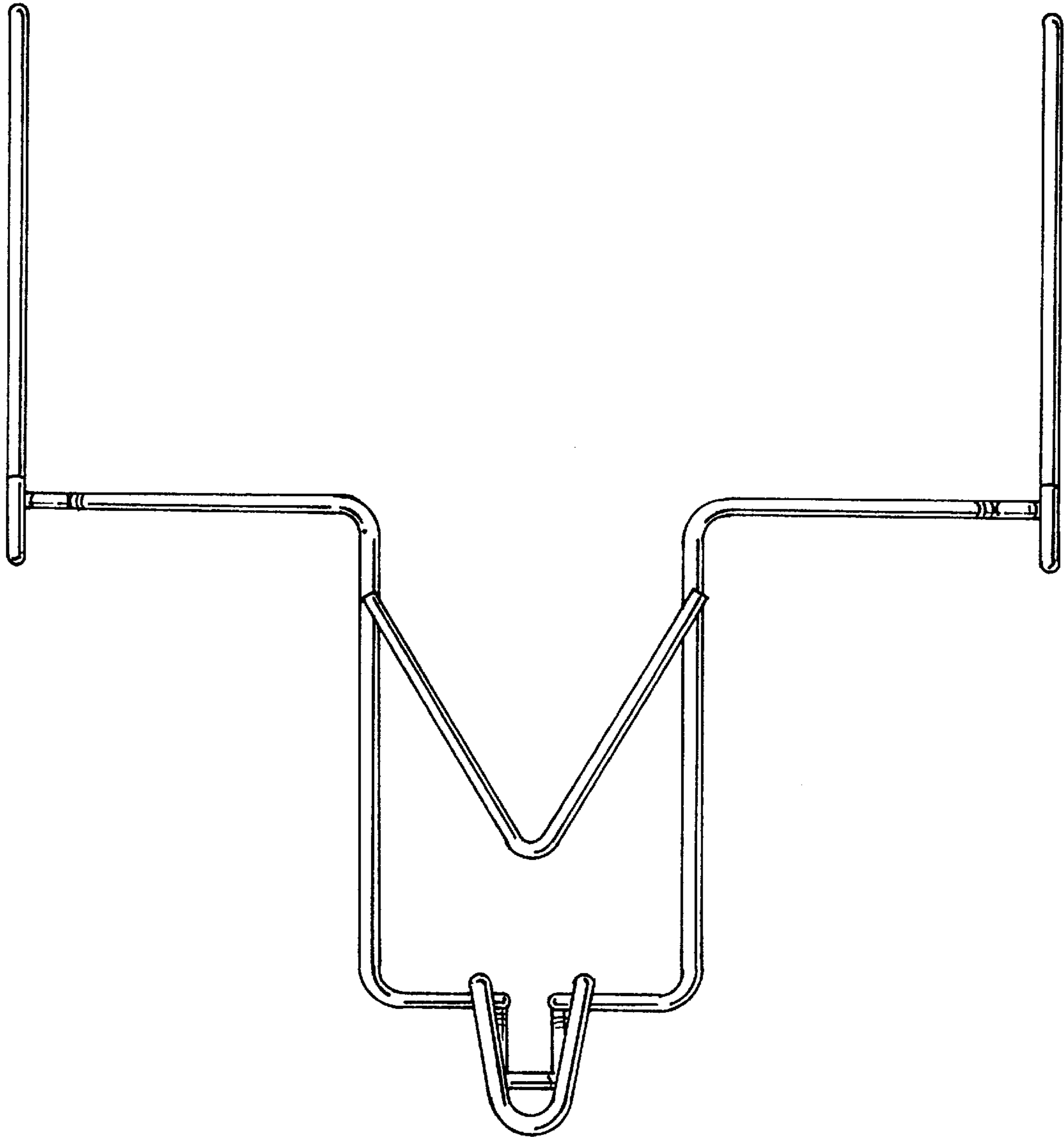
**Fig. 2**



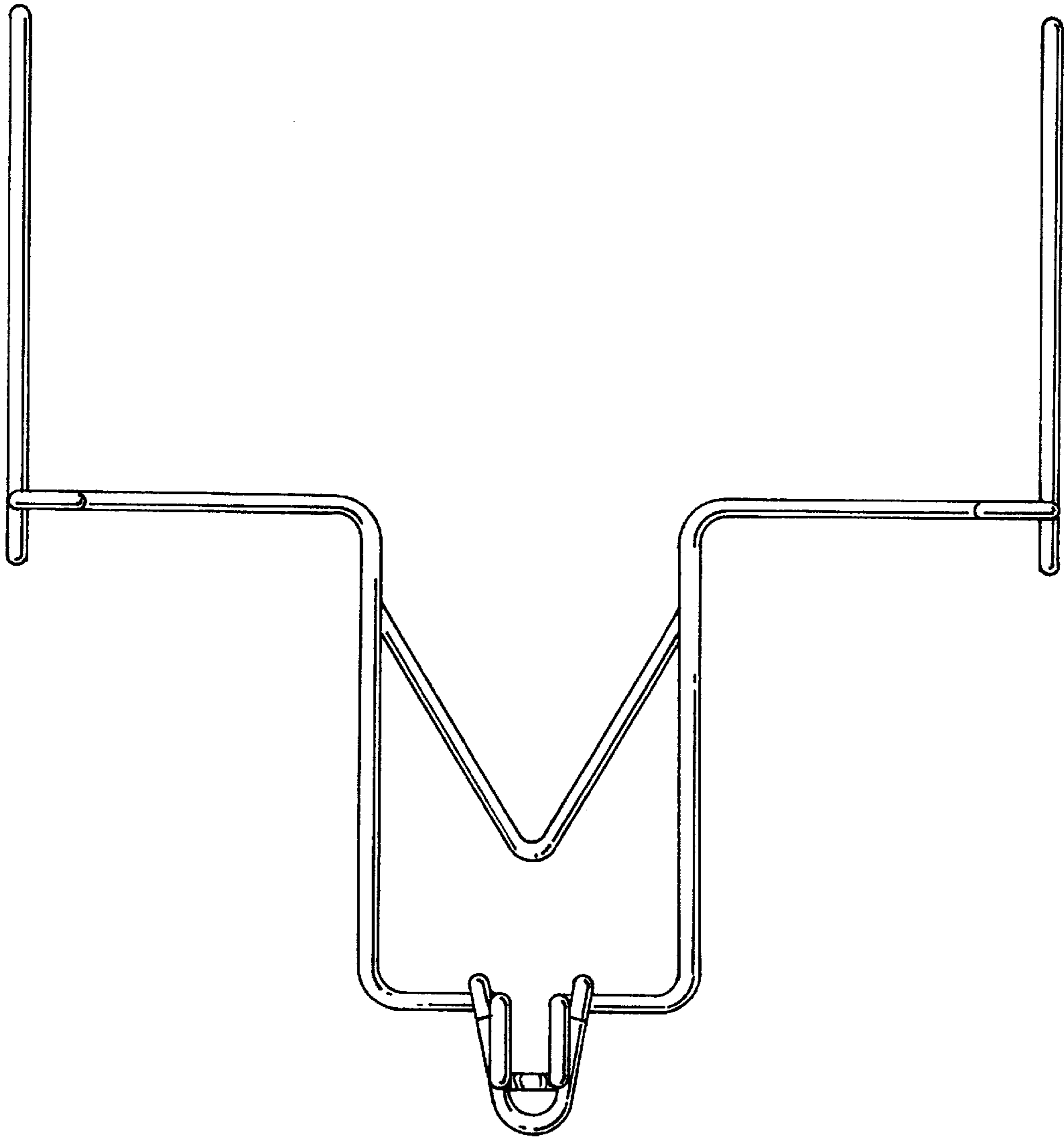
**Fig. 3**

**Fig. 4**





**Fig. 5**



**Fig. 6**