



US00D403294S

United States Patent [19]

Baldwin et al.

[11] Patent Number: Des. 403,294

[45] Date of Patent: **Dec. 29, 1998

[54] **HOLDER FOR SECURING EYEGLASSES TO A SUNVISOR**

[75] Inventors: **Joseph R. Baldwin**, Hempstead; **Flavio Rivera**, Brooklyn, both of N.Y.

[73] Assignee: **Creative Minds of Long Island, Inc.**, Hempstead, N.Y.

[**] Term: **14 Years**

[21] Appl. No.: **82,009**

[22] Filed: **Jan. 13, 1998**

[51] **LOC (6) Cl.** **12-16**

[52] **U.S. Cl.** **D12/417; D3/266; D6/566; D8/370**

[58] **Field of Search** D12/191, 400, D12/415, 417; D6/566, 313, 458; D3/266, 265; D8/370; D16/330, 336, 339, 136; 248/249-250, 235, 220.2, 220.4, 221.1, 302-304; 211/181, 106; 296/97.5; 224/42.11, 44.42, 273, 327

[56] **References Cited**

U.S. PATENT DOCUMENTS

D. 204,021	3/1966	Bachmann	D3/266
D. 205,261	7/1966	Boxer	D3/266
D. 266,932	11/1982	Liset	D8/370 X
D. 282,548	2/1986	Shells	D3/266
D. 284,426	7/1986	Morris	D6/566 X

D. 306,739	3/1990	Mackiewich	D3/266
D. 319,125	8/1991	Currie	D6/566 X
D. 329,414	9/1992	Herzig	D12/415 X
D. 371,458	7/1996	Valls et al.	D3/266
2,226,684	12/1940	Wortham	248/302
2,735,597	2/1956	Treleven	D12/417 X
2,881,926	4/1959	Spence	D12/417 X
5,667,173	9/1997	Wilfong, Jr. et al.	D6/566 X

Primary Examiner—James Gandy
Assistant Examiner—Stacia Sinuik
Attorney, Agent, or Firm—Darby & Darby

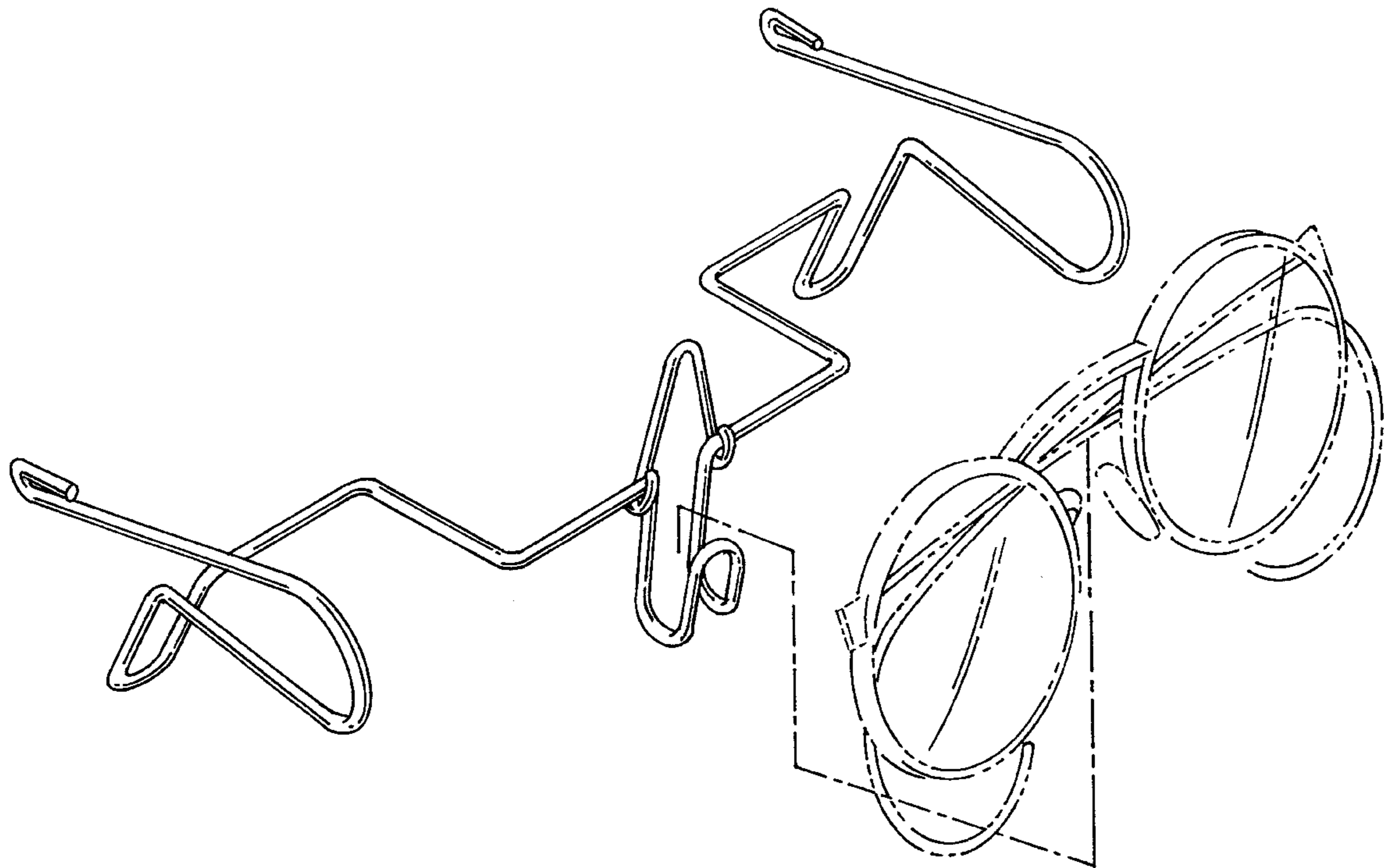
[57] **CLAIM**

The ornamental design for a holder for securing eyeglasses to a sunvisor, as shown and described.

DESCRIPTION

FIG. 1 is a top, front, and left side perspective view of our new design for a holder for securing eyeglasses to a sunvisor, with a latch member in an open position;
FIG. 2 is a front elevation view of our new design, with the latch member in a closed position;
FIG. 3 is a rear elevation view thereof, with the latch member in a closed position;
FIG. 4 is a right side elevation view thereof of which a left side elevation view is a mirror image;
FIG. 5 is a top plan view thereof; and,
FIG. 6 is a bottom plan view thereof.
The broken line showing of environment is illustrative purposes only and forms no part of the claimed design.

1 Claim, 3 Drawing Sheets



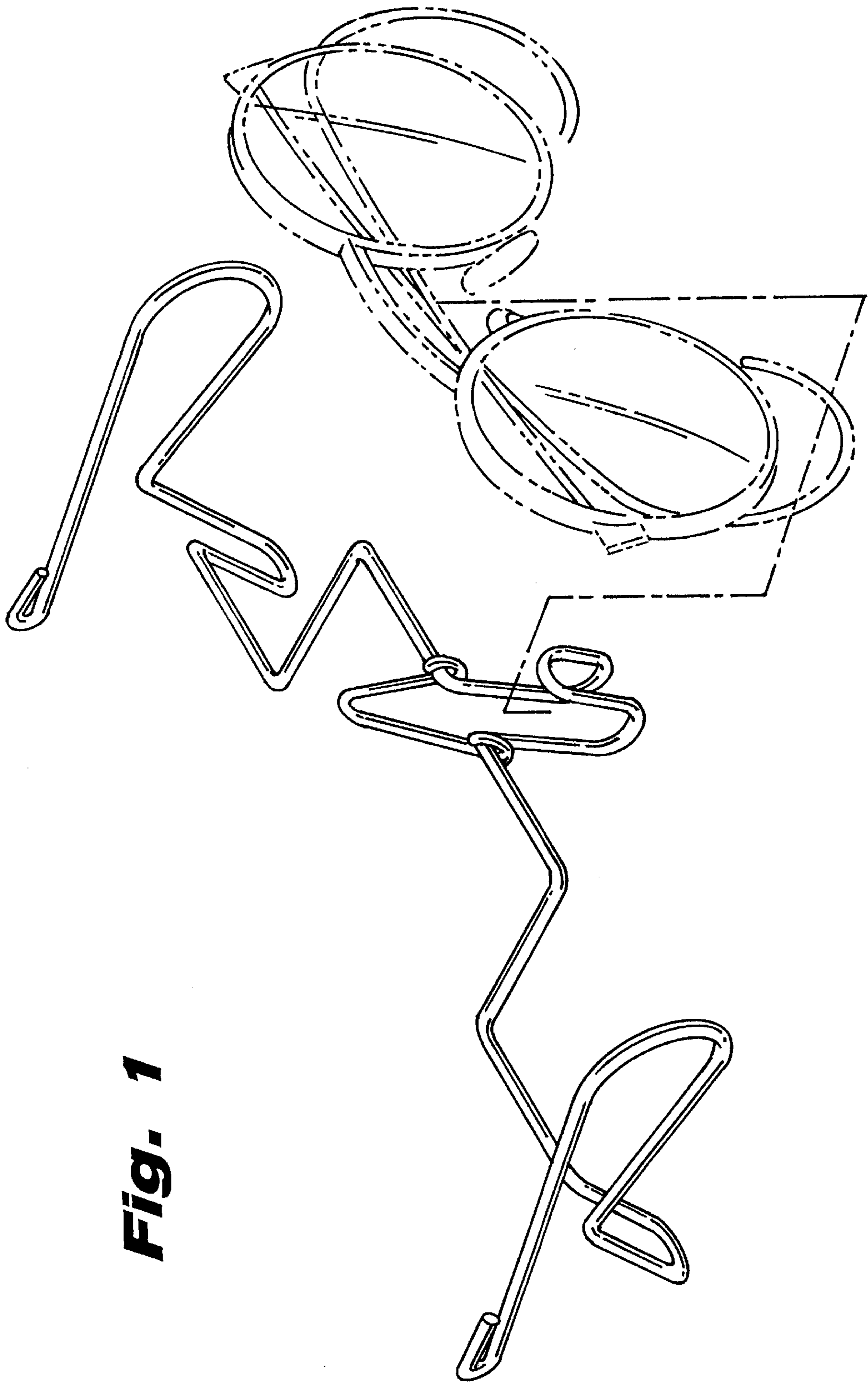


Fig. 1

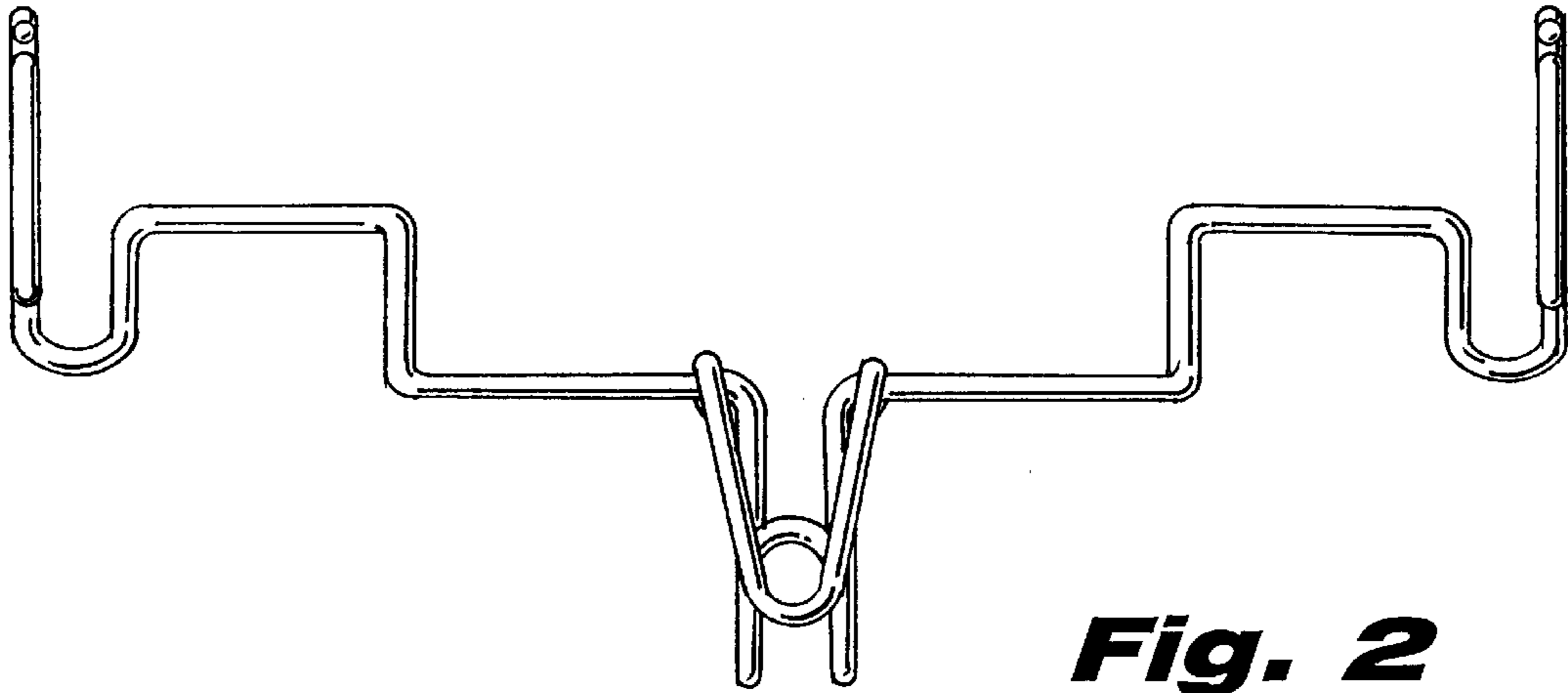


Fig. 2

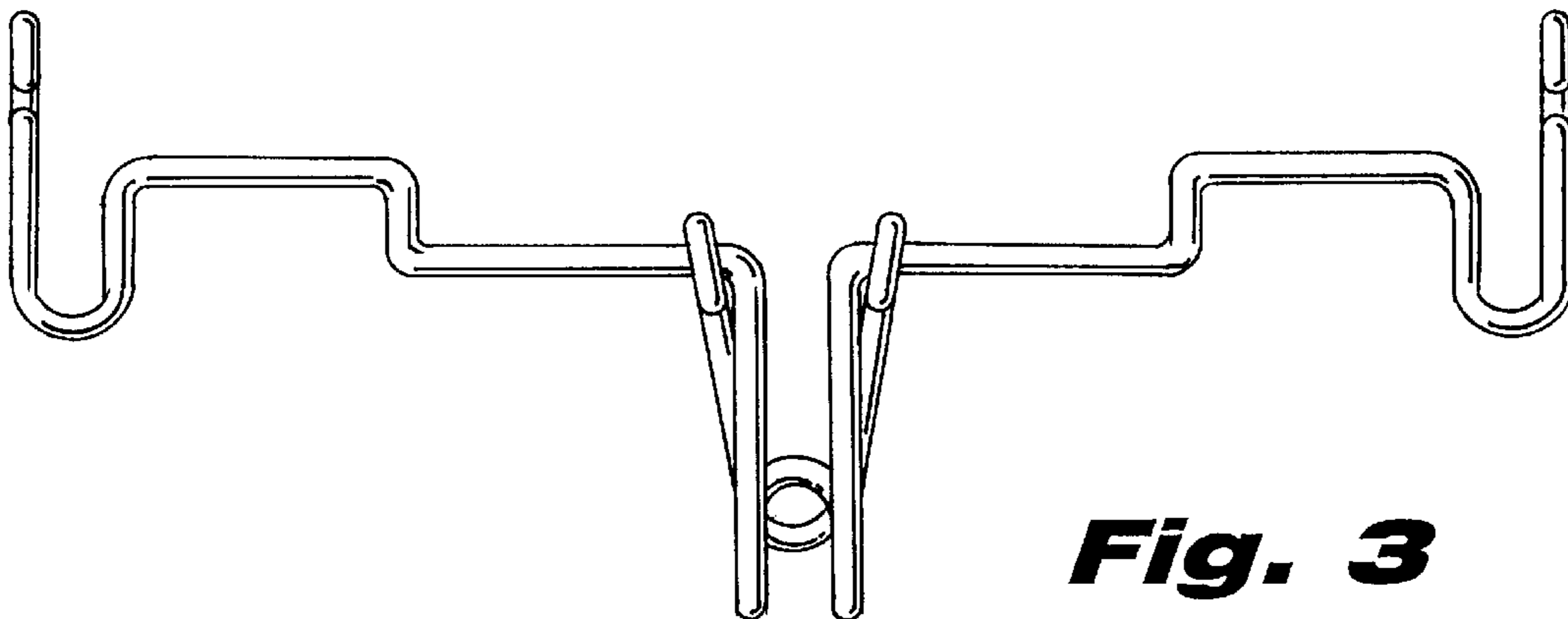


Fig. 3

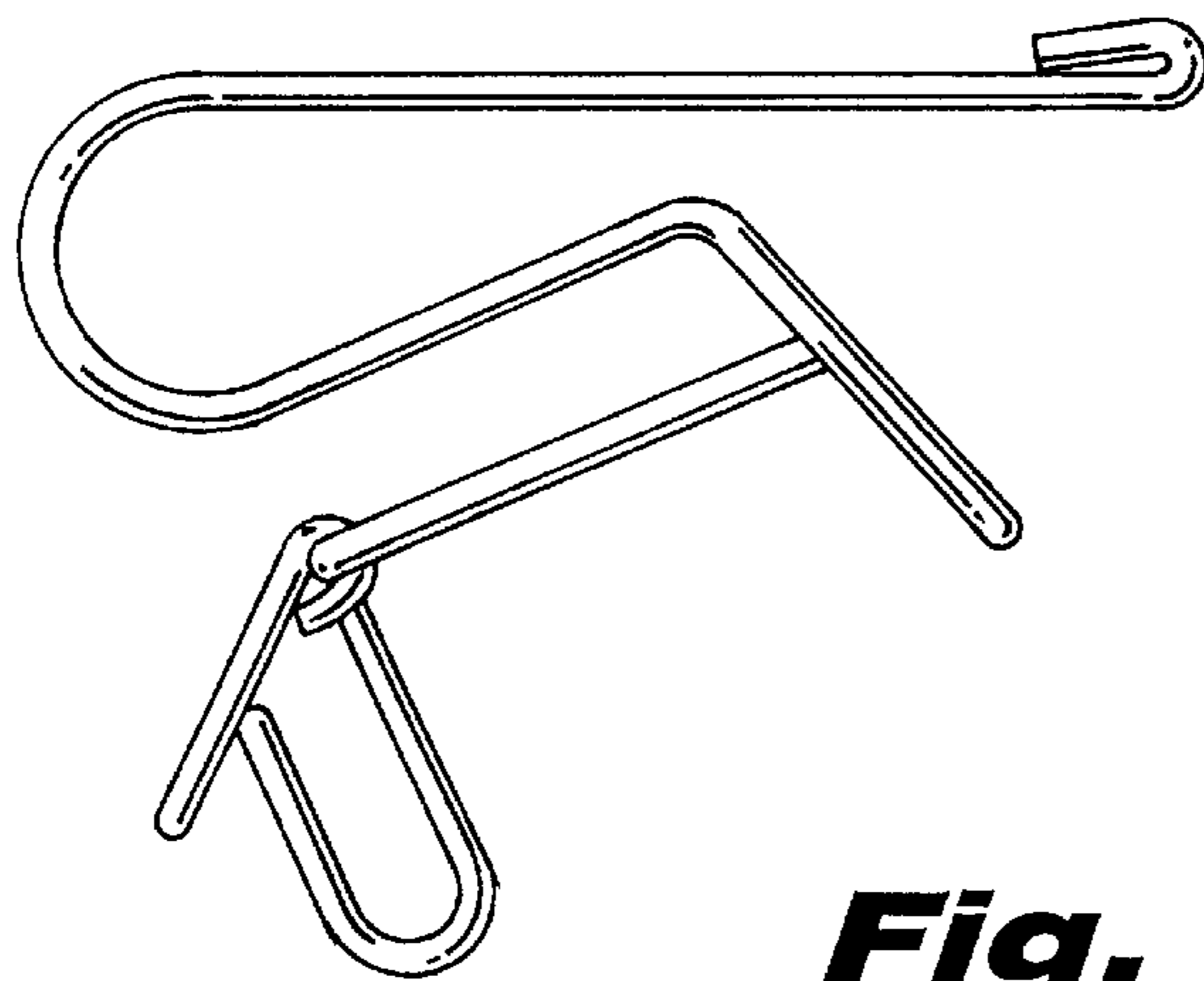


Fig. 4

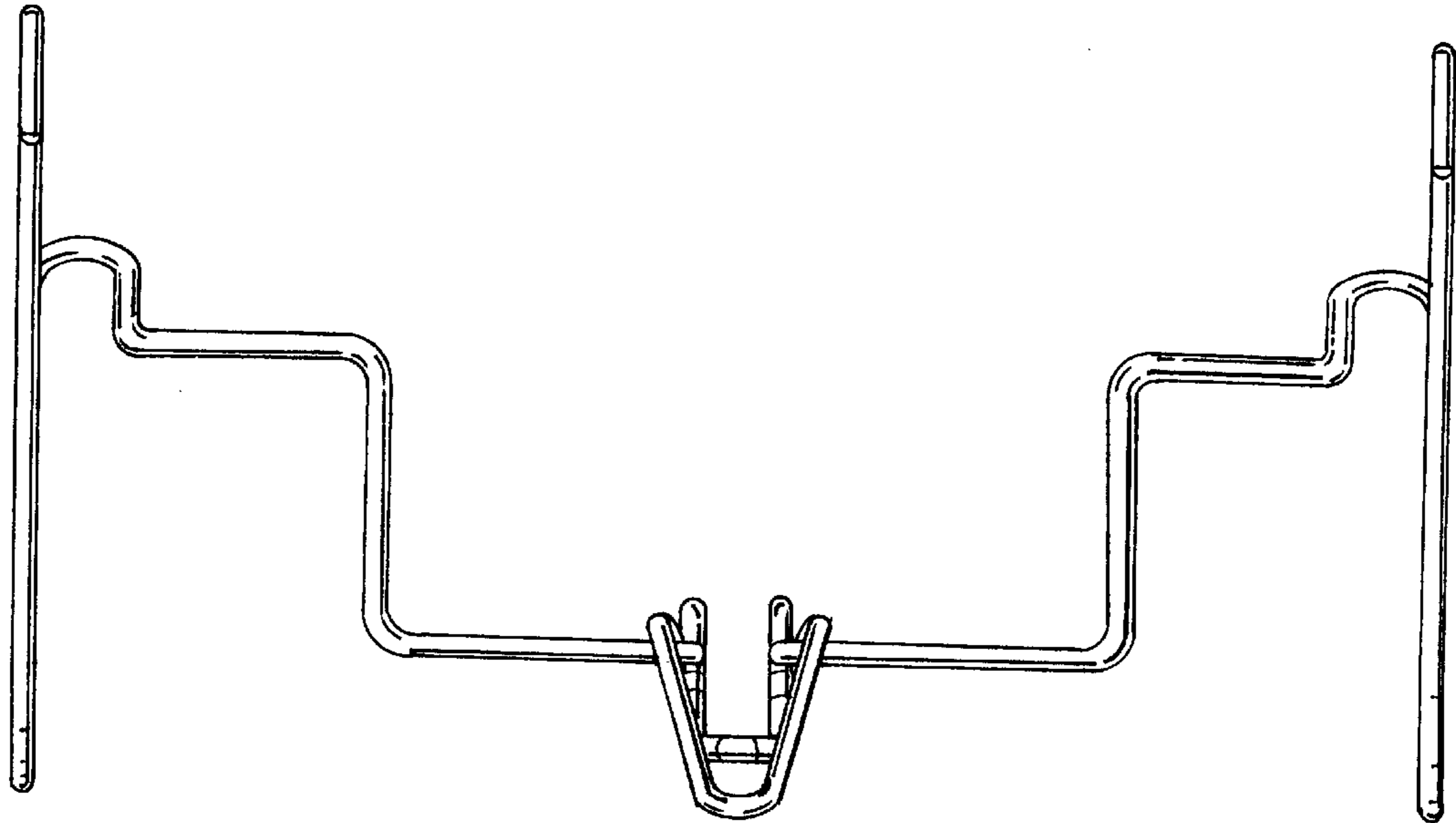


Fig. 5

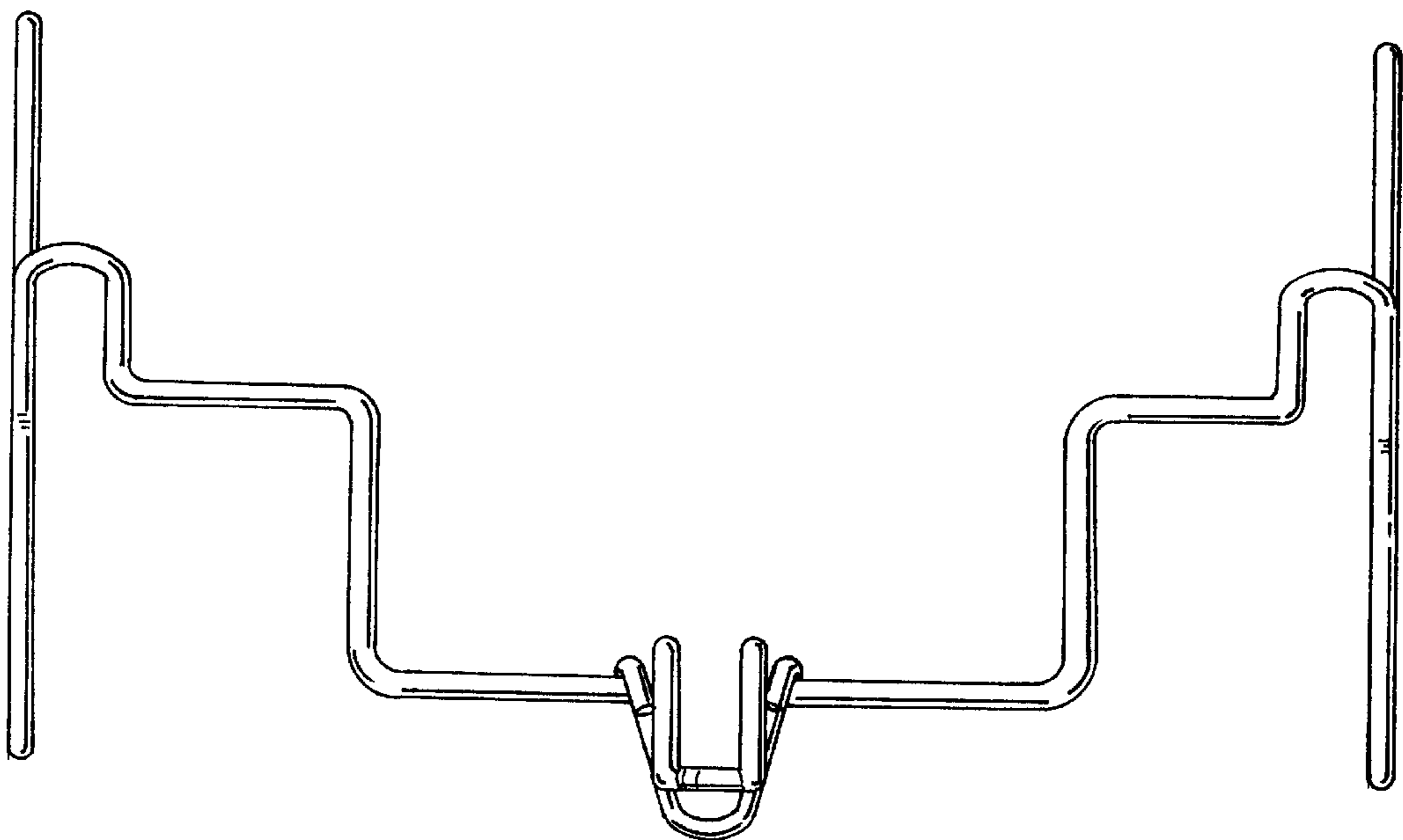


Fig. 6