



US00D403293S

**United States Patent** [19]  
**Söderström**

[11] **Patent Number: Des. 403,293**

[45] **Date of Patent: \*\*Dec. 29, 1998**

[54] **TRANSPORT BOX FOR USE WITH BICYCLES**

[76] Inventor: **Sven-Eric Söderström**, Älgvägon 16, S  
199 71 Enköpinc, Sweden

[\*\*] Term: **14 Years**

[21] Appl. No.: **79,646**

[22] Filed: **Dec. 9, 1997**

[30] **Foreign Application Priority Data**

Jun. 11, 1997 [SE] Sweden ..... 97-1362

[51] **LOC (6) Cl.** ..... **12-16**

[52] **U.S. Cl.** ..... **D12/410**

[58] **Field of Search** ..... D12/410; 224/415,  
224/417, 414, 421, 435, 448

[56] **References Cited**

**U.S. PATENT DOCUMENTS**

D. 274,233 6/1984 Kusz ..... D12/410

D. 321,677 11/1991 Saito et al. .... D12/410 X  
D. 322,591 12/1991 Van Vludren ..... D12/410  
D. 339,783 9/1993 Delage et al. .... D12/410  
D. 346,572 5/1994 Honey ..... D12/410  
D. 347,819 6/1994 Katz ..... D12/410  
4,026,448 5/1977 Lewis ..... 224/415

*Primary Examiner*—Melody N. Brown  
*Attorney, Agent, or Firm*—Young & Thompson

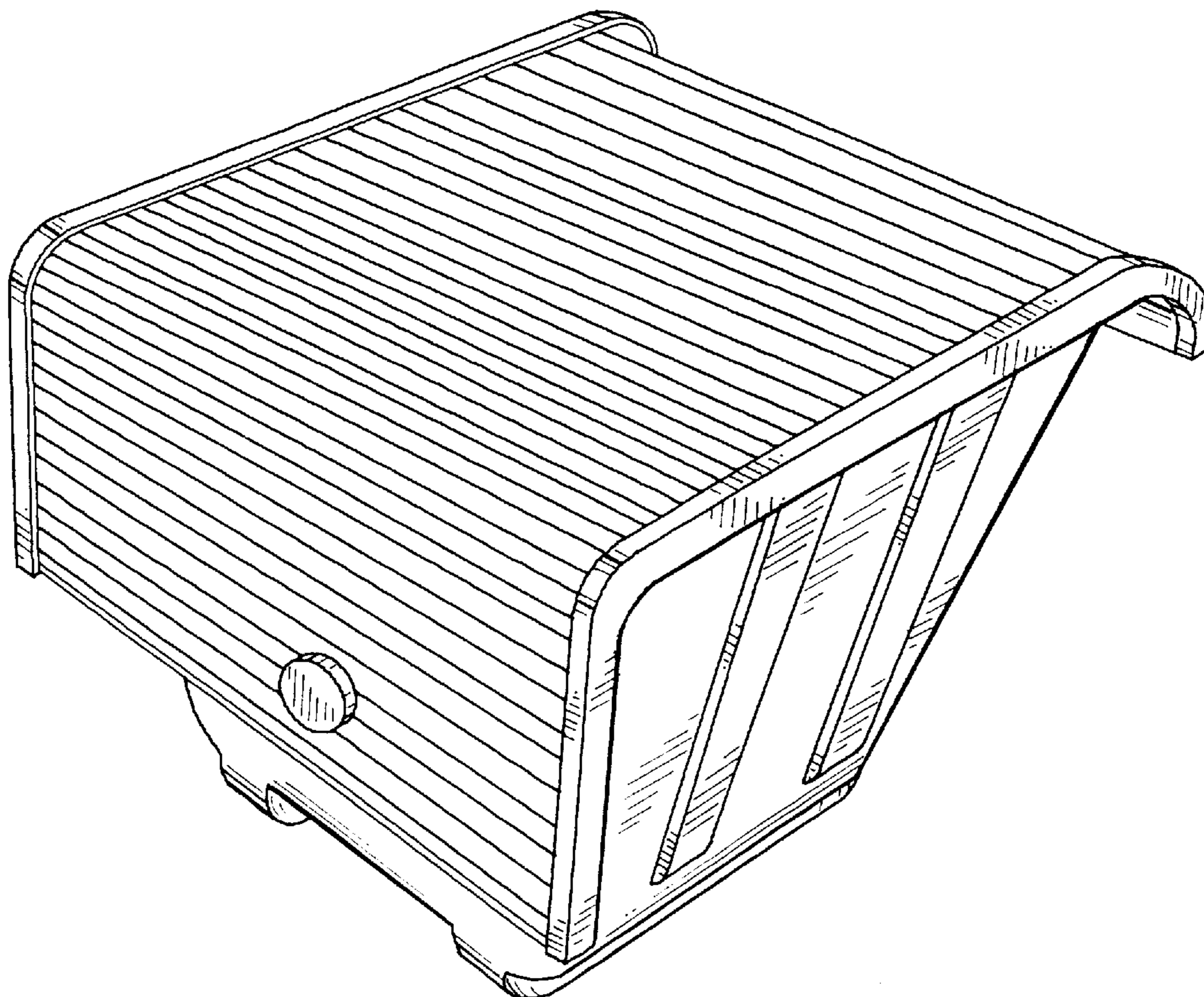
[57] **CLAIM**

The ornamental design for a tranport box for use with bicycles, as shown and described.

**DESCRIPTION**

FIG. 1 is a top and side perspective view of a transport box for use with bicycles showing my new design;  
FIG. 2 is a bottom and opposite side perspective view thereof; and,  
FIG. 3 is a top and side perspective view of the transport box as in FIG. 1, with a sliding lid.

**1 Claim, 2 Drawing Sheets**



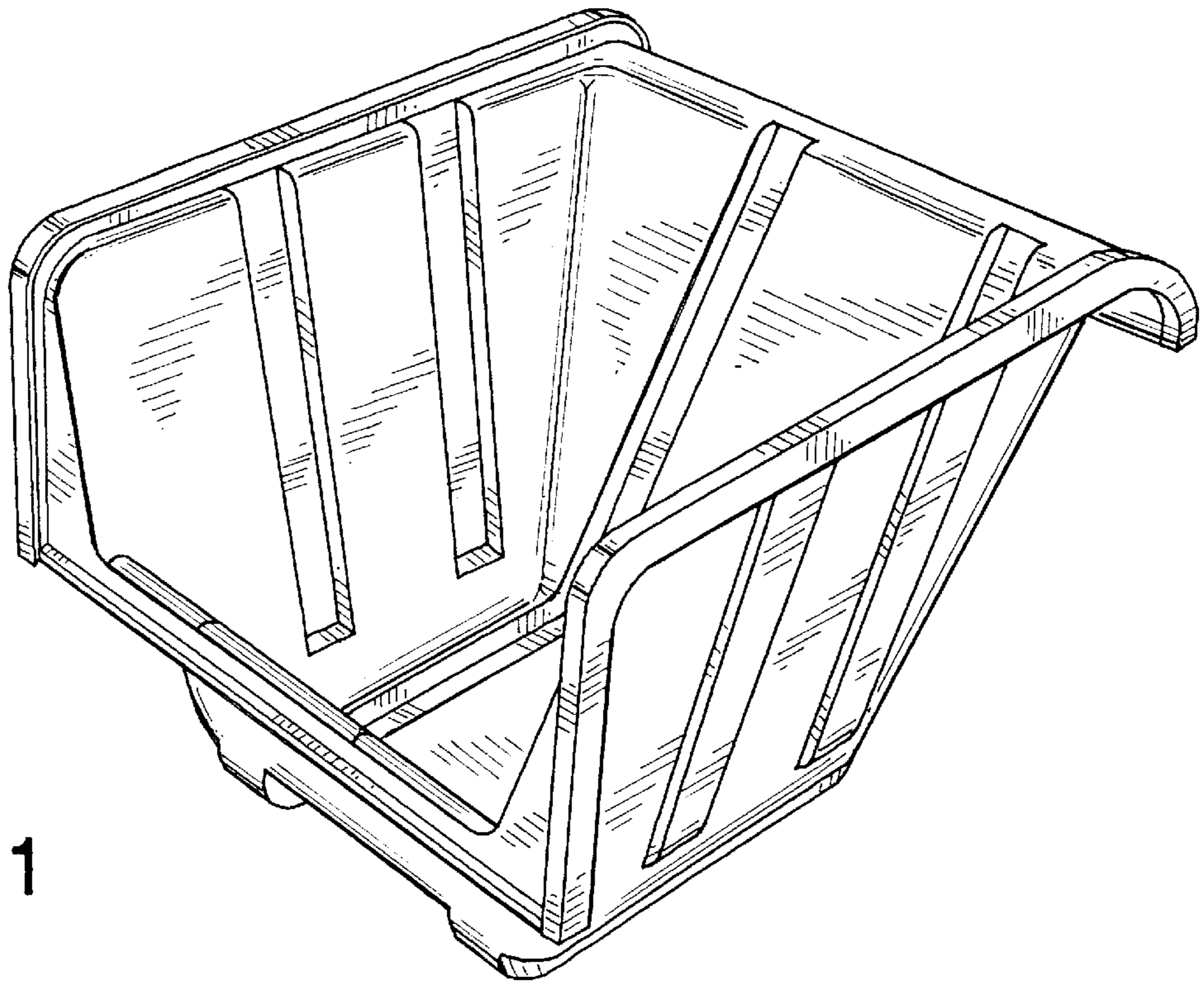


FIG. 1

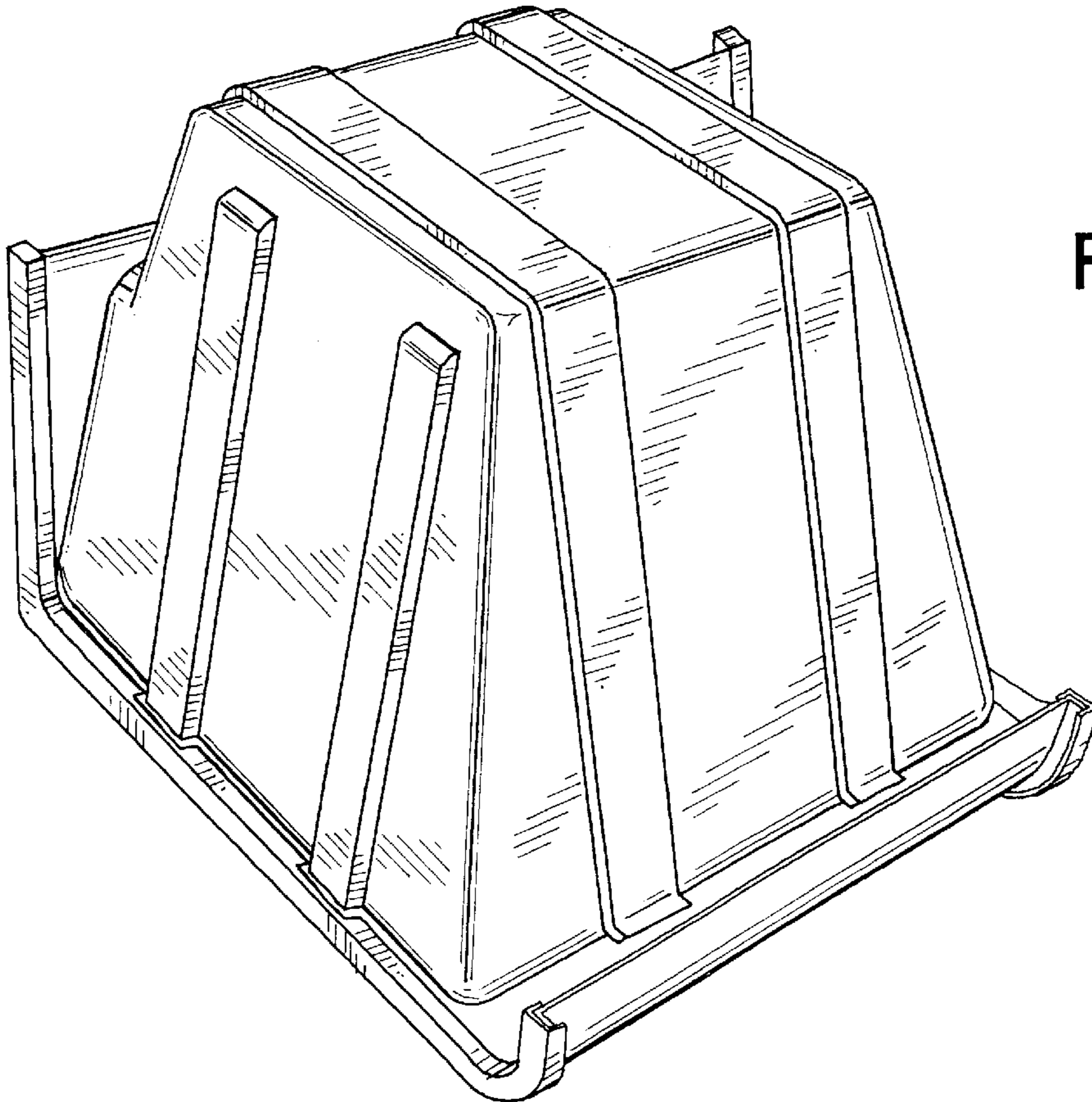


FIG. 2

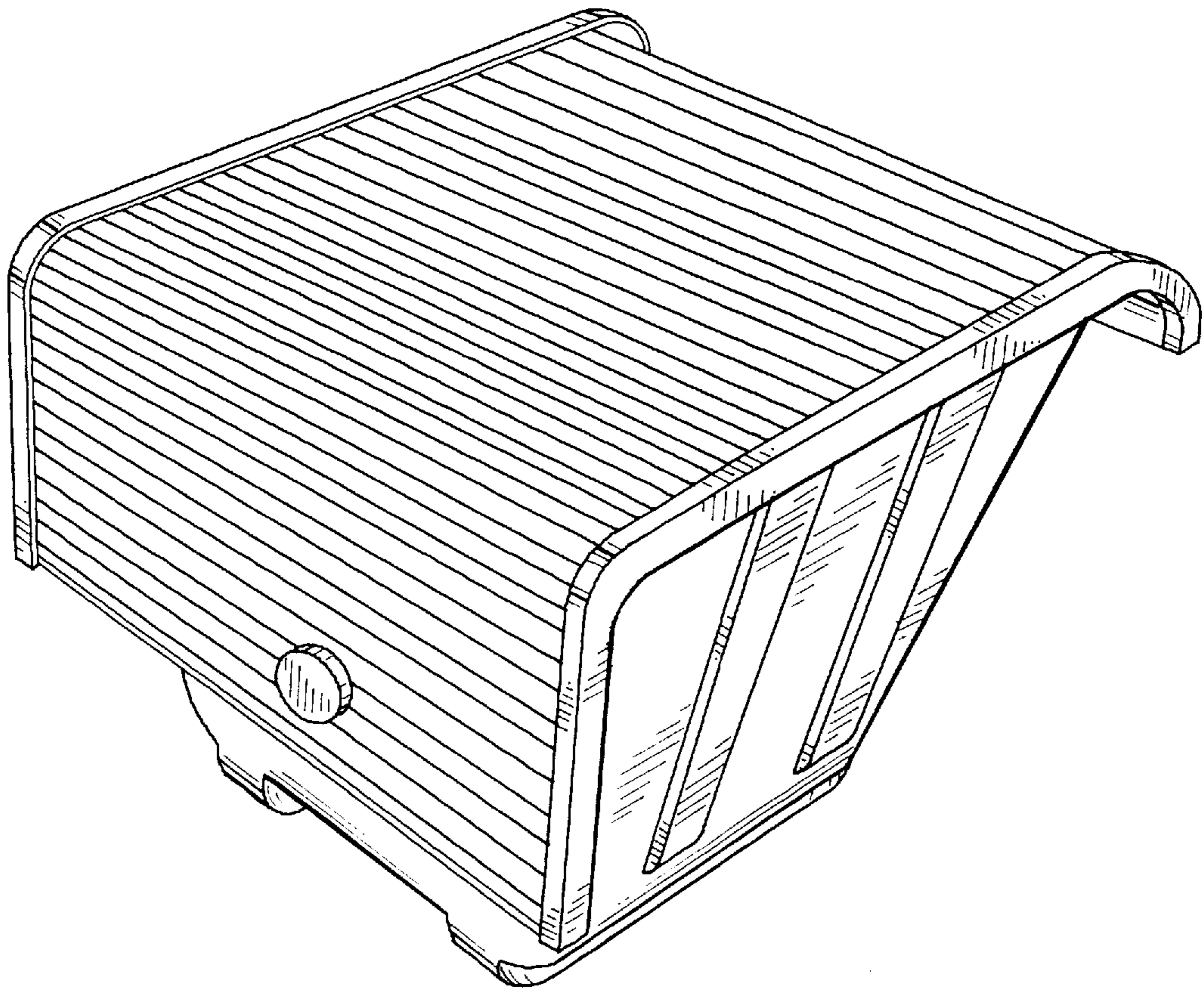


FIG. 3