



US00D403292S

# United States Patent [19] Bogard

[11] Patent Number: **Des. 403,292**

[45] Date of Patent: **\*\*Dec. 29, 1998**

[54] **PICK-UP TRUCK TONNEAU COVER**

[76] Inventor: **Donald E. Bogard**, 22204 Dolphin Ct.,  
Dearborn Heights, Mich. 48127

[\*\*] Term: **14 Years**

[21] Appl. No.: **63,160**

[22] Filed: **Nov. 29, 1996**

[51] **LOC (6) Cl.** ..... **12-16**

[52] **U.S. Cl.** ..... **D12/401**

[58] **Field of Search** ..... D12/401; 296/98-100;  
160/26, 33, 133

4,789,197	12/1988	Lewis .....	296/100
4,889,381	12/1989	Tamblyn et al. ....	296/98
5,427,428	6/1995	Ericson et al. ....	296/98
5,595,417	1/1997	Thoman et al. ....	296/100
5,620,040	4/1997	Swanner .....	296/100

*Primary Examiner*—Jeffrey Asch  
*Assistant Examiner*—Stacia Sinuik  
*Attorney, Agent, or Firm*—Alex Rhodes

### [57] CLAIM

The ornamental design for a pick-up truck tonneau cover, as shown and described.

### DESCRIPTION

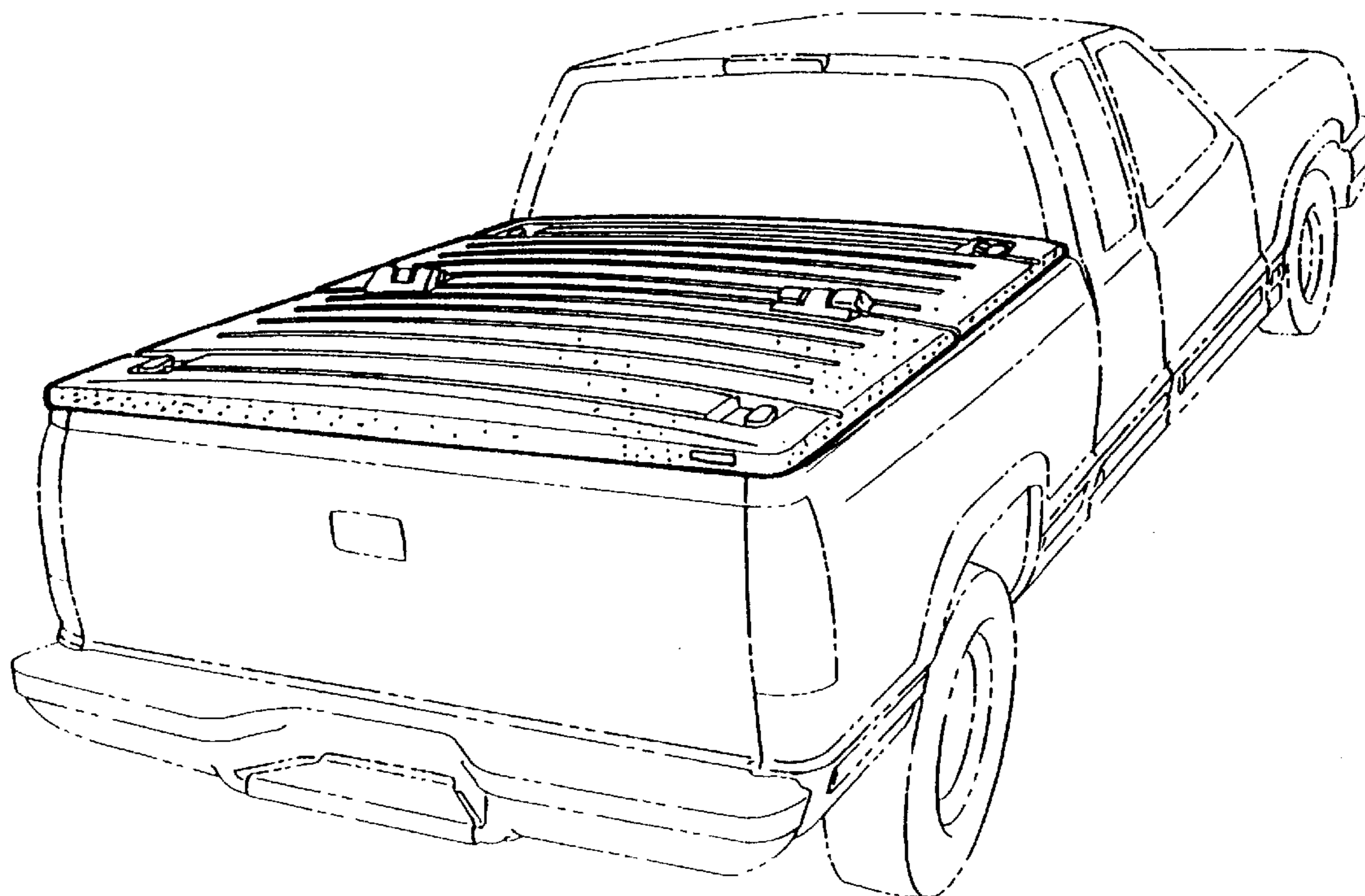
FIG. 1 is a perspective view of a tonneau cover in a closed position mounted on a pick-up truck, showing my new design;  
FIG. 2 is a perspective view of the tonneau cover showing a front panel of the cover rotated upwardly to an open position;  
FIG. 3 is a plan view of the cover;  
FIG. 4 is a right side view of the cover, the left side being symmetrically opposite; and,  
FIG. 5 is a bottom view of the cover.

### [56] References Cited

#### U.S. PATENT DOCUMENTS

D. 224,704	9/1972	Hill .....	D12/401	X
D. 263,947	4/1982	Hardin .....	D12/401	X
D. 285,298	8/1986	Fly .....	D12/401	X
D. 287,710	1/1987	Pino .....	D12/401	X
D. 329,998	10/1992	Sutton et al. ....	D12/401	X
D. 365,080	12/1995	Loughlin .....	D12/401	
3,762,763	10/1973	Deshores .....	296/100	X
4,418,954	12/1983	Buckley .....	296/100	
4,615,557	10/1986	Robinson .....	296/100	

**1 Claim, 2 Drawing Sheets**



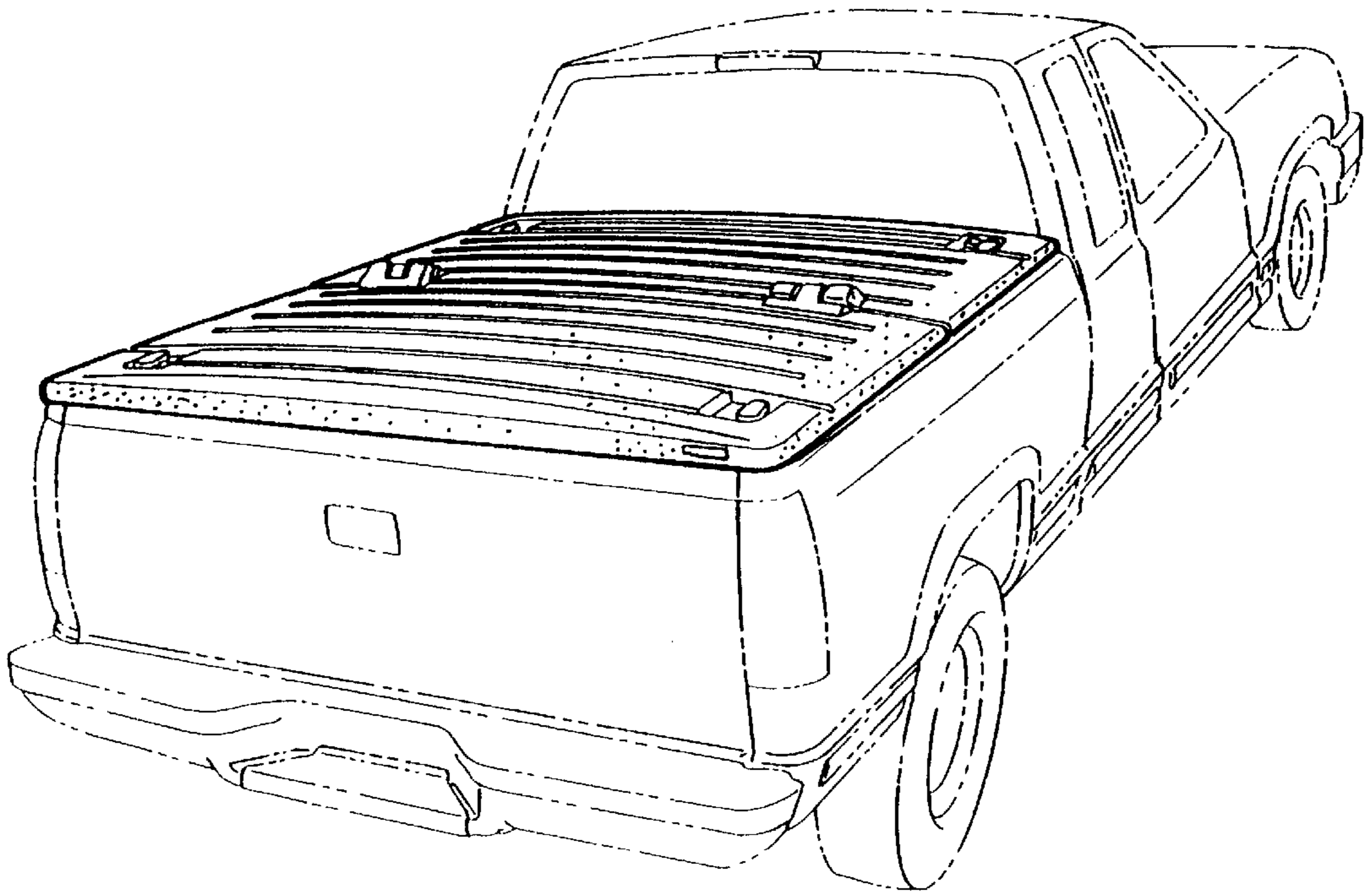


FIG. 1

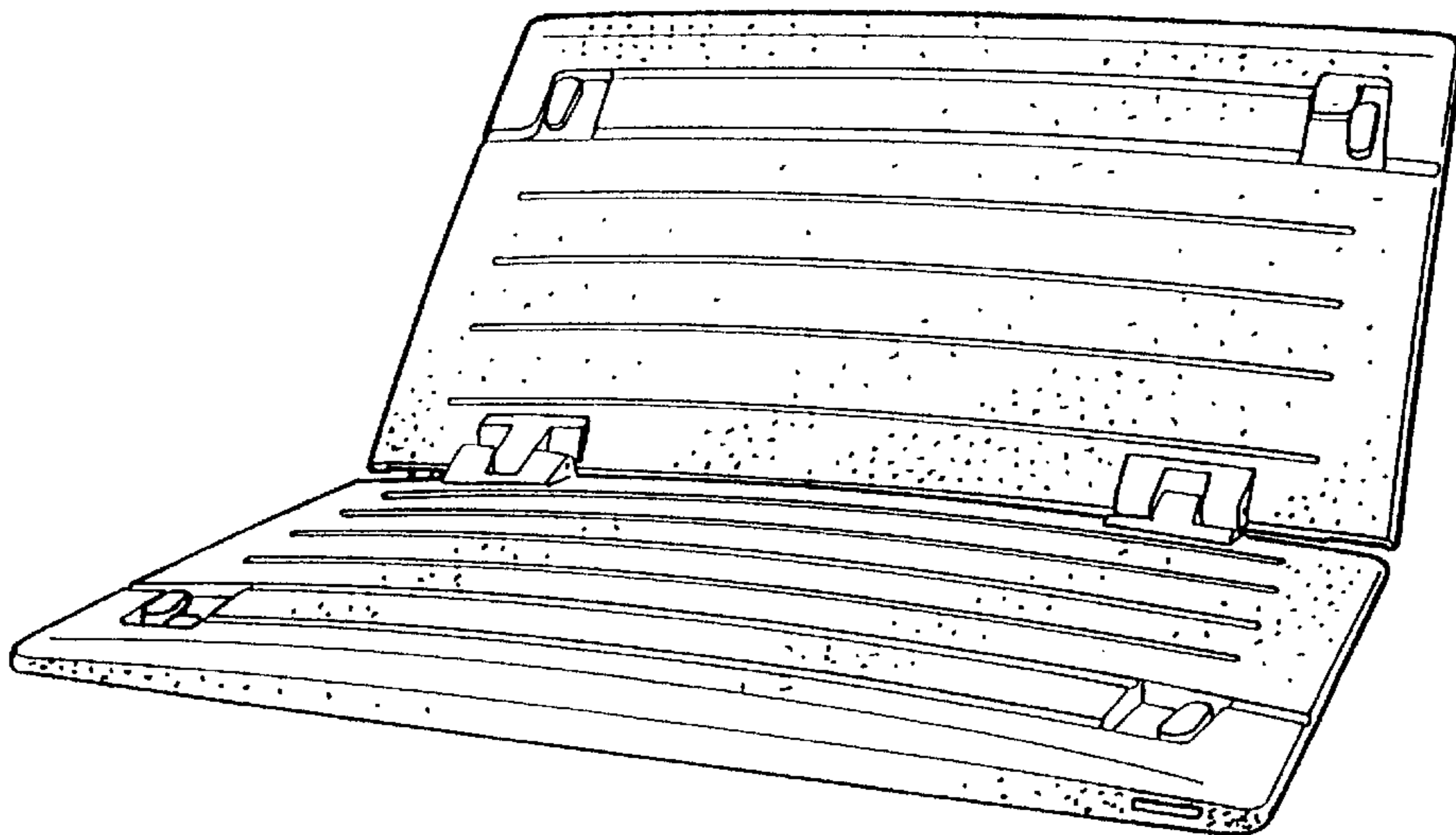


FIG. 2

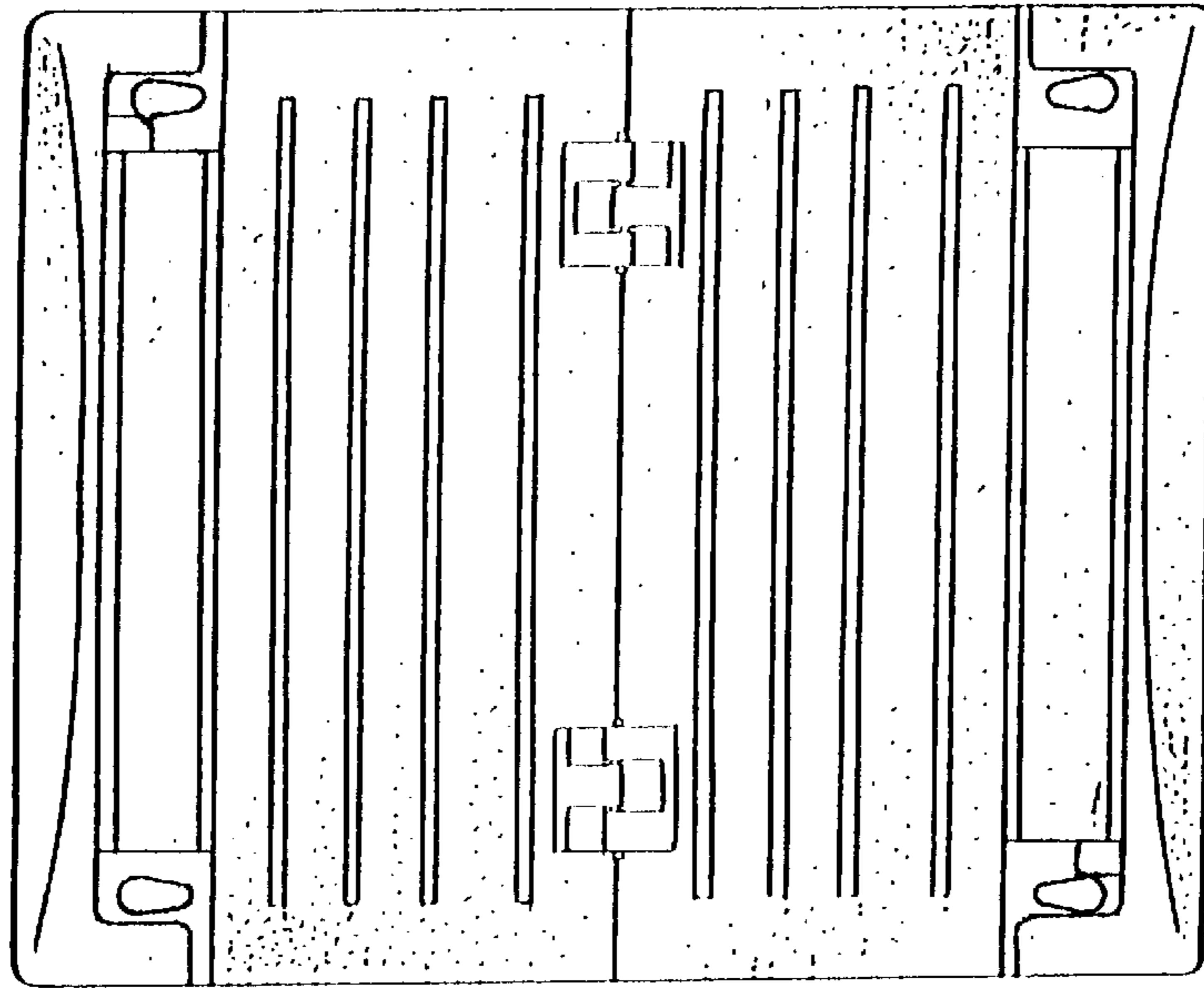


FIG. 3



FIG. 4

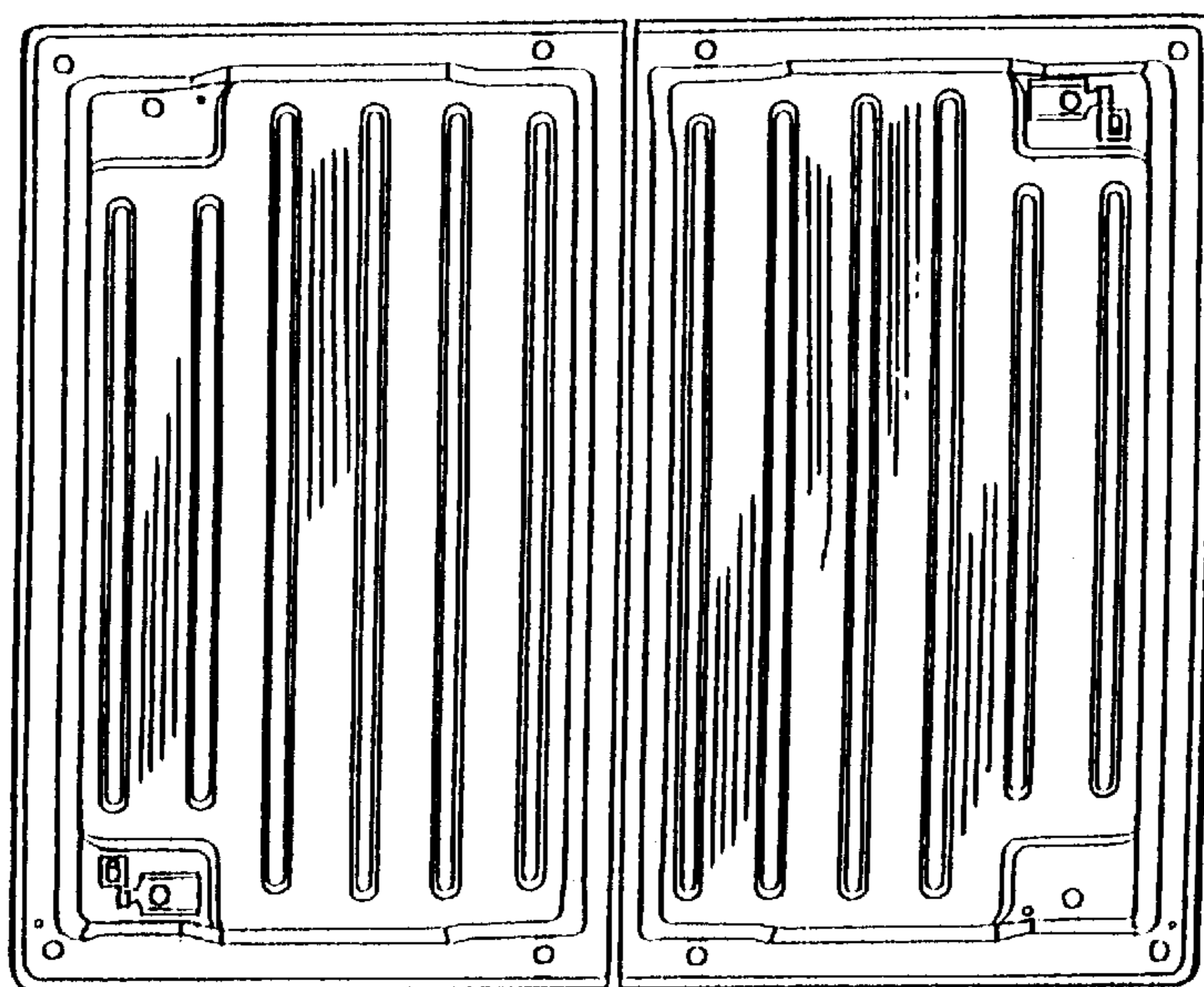


FIG. 5