

US00D403291S

# United States Patent [19] Cullen

[11] **Patent Number: Des. 403,291**

[45] **Date of Patent: \*\*Dec. 29, 1998**

[54] **VEHICLE-WHEEL FRONT FACE**

[75] Inventor: **Murray S Cullen**, Irvine, Calif.

[73] Assignee: **Mobile HI-Tech Wheels**, Torrance, Calif.

[\*\*] Term: **14 Years**

[21] Appl. No.: **88,134**

[22] Filed: **May 15, 1998**

### Related U.S. Application Data

[63] Continuation-in-part of Ser. No. 80,175, Dec. 2, 1997, Pat. No. Des. 396,839.

[51] **LOC (6) Cl.** ..... **12-16**

[52] **U.S. Cl.** ..... **D12/211**

[58] **Field of Search** ..... D12/204-213;  
301/64.1, 65, 37.1

### [56] References Cited

#### U.S. PATENT DOCUMENTS

D. 219,871 2/1971 Griffith ..... D12/209

D. 336,743	6/1993	Cattaneo	.....	D12/211
D. 350,523	9/1994	Mobius	.....	D12/209
D. 372,698	8/1996	Mantua	.....	D12/209
D. 375,287	11/1996	Neeper	.....	D12/211
D. 378,670	4/1997	Echazabal et al.	.....	D12/209
D. 384,026	9/1997	Chrysanto	.....	D12/209
D. 384,027	9/1997	Roesianto	.....	D12/209
D. 386,439	11/1997	Cullen	.....	D12/209
D. 386,740	11/1997	Cullen	.....	D12/209

*Primary Examiner*—James Gandy  
*Assistant Examiner*—Stacia Sinuik  
*Attorney, Agent, or Firm*—Christie, Parker & Hale, LLP

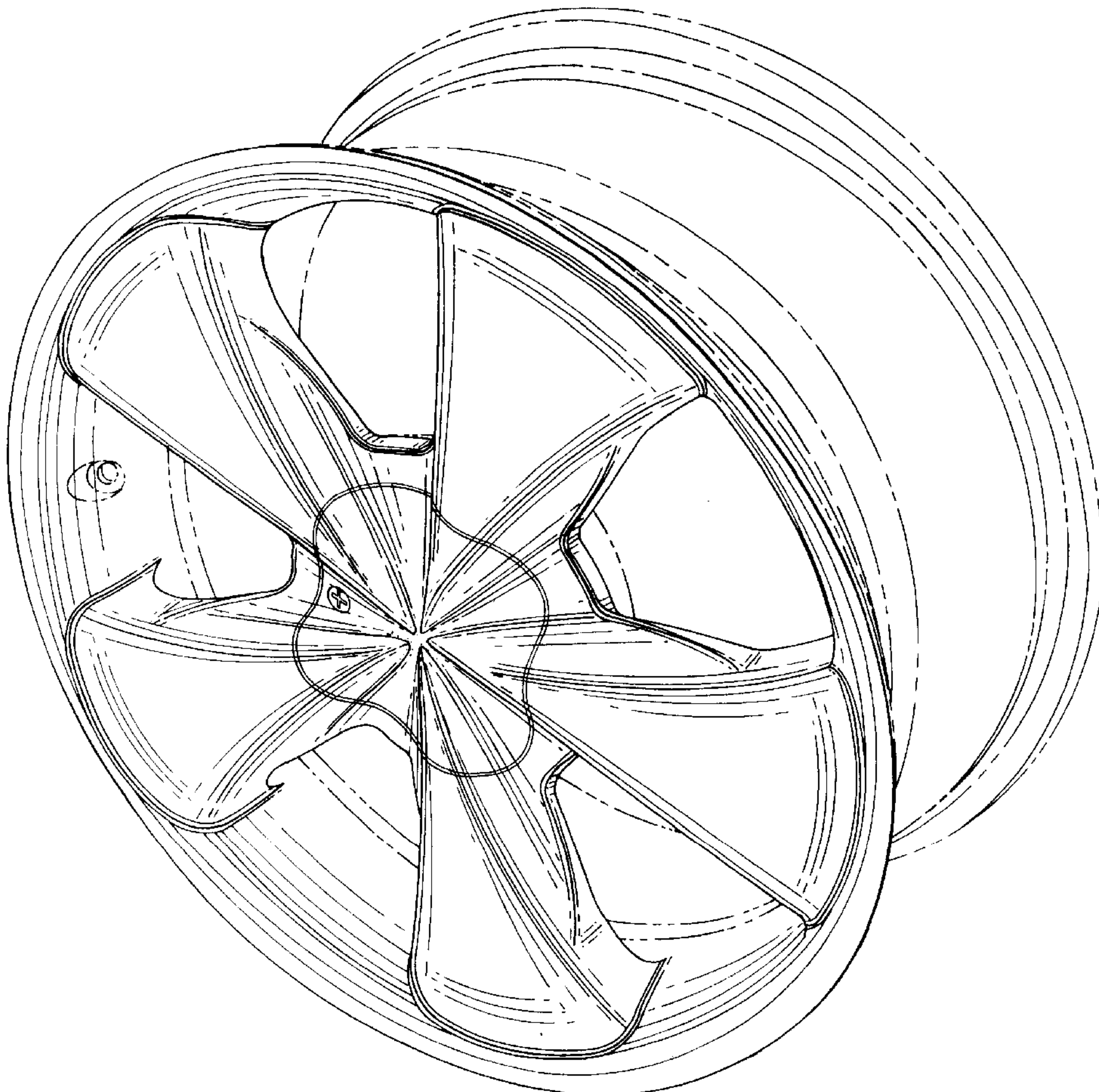
### [57] CLAIM

The ornamental design for vehicle-wheel front face, as shown and described.

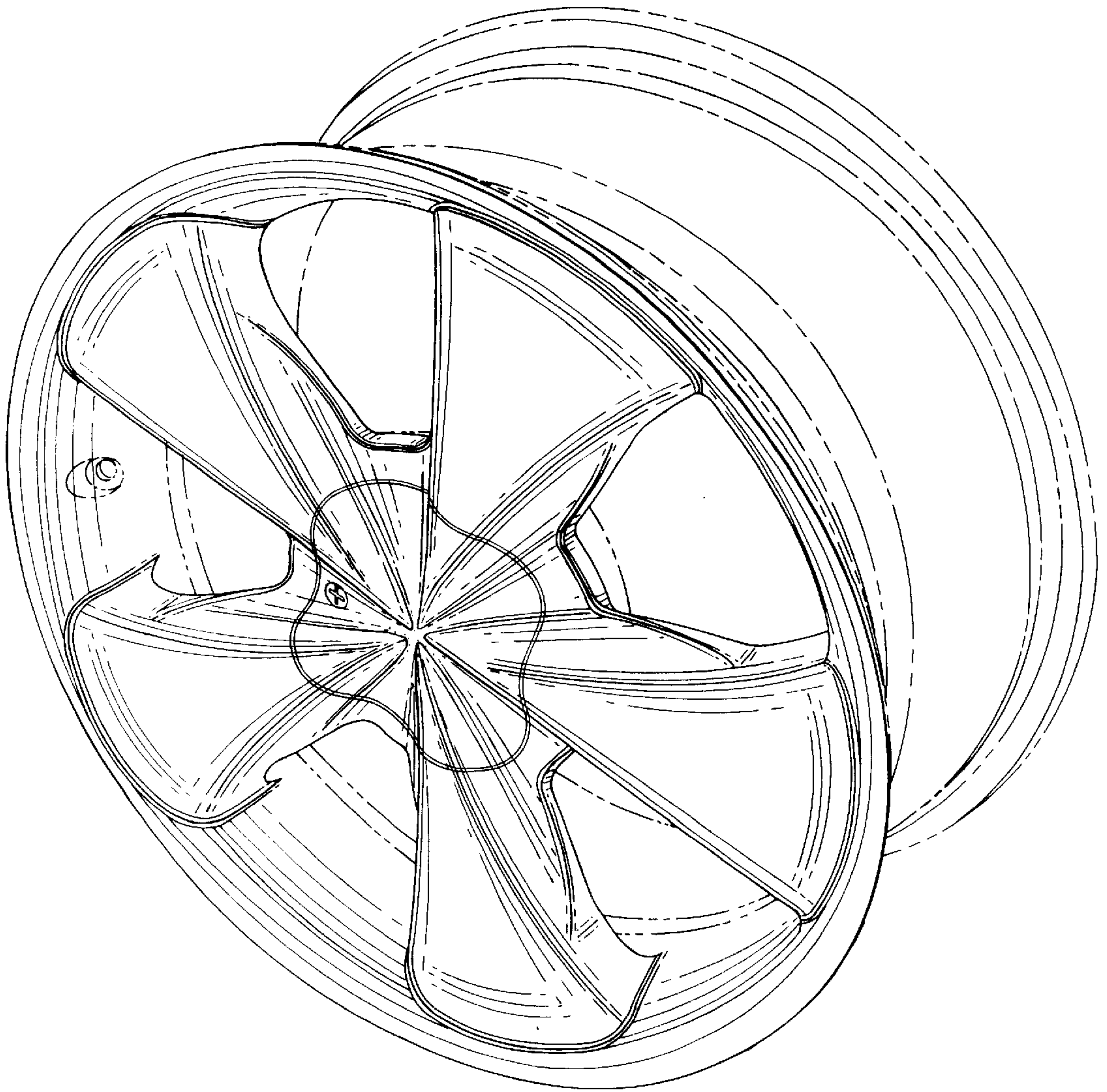
### DESCRIPTION

FIG. 1 is a perspective view of a vehicle-wheel front face according to my new design; FIG. 2 is an enlarged elevational view thereof; and, FIG. 3 is an enlarged side elevational view thereof. The broken-line showing of environment is for illustrative purposes only, and forms no part of the claimed design.

**1 Claim, 3 Drawing Sheets**

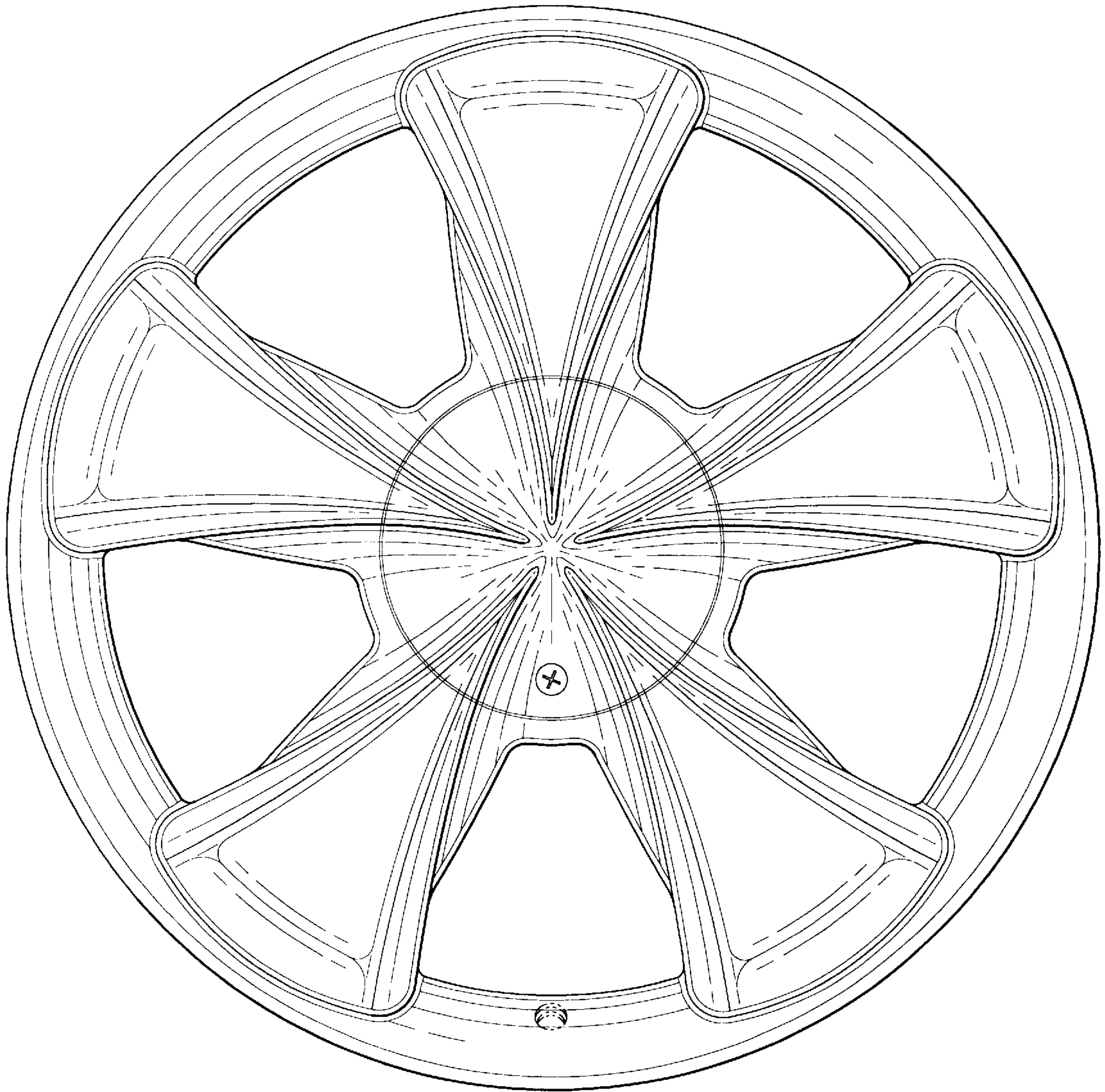


*Fig. 1*





*FIG. 2*



*FIG. 3*

