



US00D403285S

United States Patent [19]

Abalos et al.

[11] Patent Number: **Des. 403,285**

[45] Date of Patent: ****Dec. 29, 1998**

[54] **EXTERIOR OF A GRILLE AND GRILLE INSERT FOR A TRUCK**

[75] Inventors: **Santiago C. Abalos; Franz Mueller,**
both of Fort Wayne, Ind.

[73] Assignee: **Navistar International Transportation Corp.,** Chicago, Ill.

[**] Term: **14 Years**

[21] Appl. No.: **80,499**

[22] Filed: **Dec. 10, 1997**

[51] **LOC (6) Cl.** **12-16**

[52] **U.S. Cl.** **D12/163**

[58] **Field of Search** D12/90-92, 163,
D12/167, 169; 293/102, 115; 180/68.6,
68.1

[56] **References Cited**

U.S. PATENT DOCUMENTS

D. 312,606 12/1990 Guelfi et al. D12/163

D. 335,272 5/1993 Allendorph .
D. 361,968 9/1995 Oyama D12/163
D. 391,538 3/1998 Sacco et al. D12/163
D. 392,920 3/1998 Verduyn et al. D12/91
D. 393,610 4/1998 Sacco et al. D12/92
D. 395,027 6/1998 Wittine D12/163

Primary Examiner—Melody N. Brown
Attorney, Agent, or Firm—Dennis K. Sullivan; Jeffrey P. Calfa

[57] **CLAIM**

The ornamental design for an exterior of a grille and grille insert for a truck, as shown and described.

DESCRIPTION

FIG. 1 is a right, front perspective view of an exterior of a grille and grille insert for a truck showing our new design, it may be understood that the broken lines are for illustrative purposes only and form no part of the claimed design; FIG. 2 is a right side view thereof and is a mirror image of a left side view; FIG. 3 is a front view thereof; FIG. 4 is a top view thereof; and, FIG. 5 is a bottom view thereof.

1 Claim, 1 Drawing Sheet

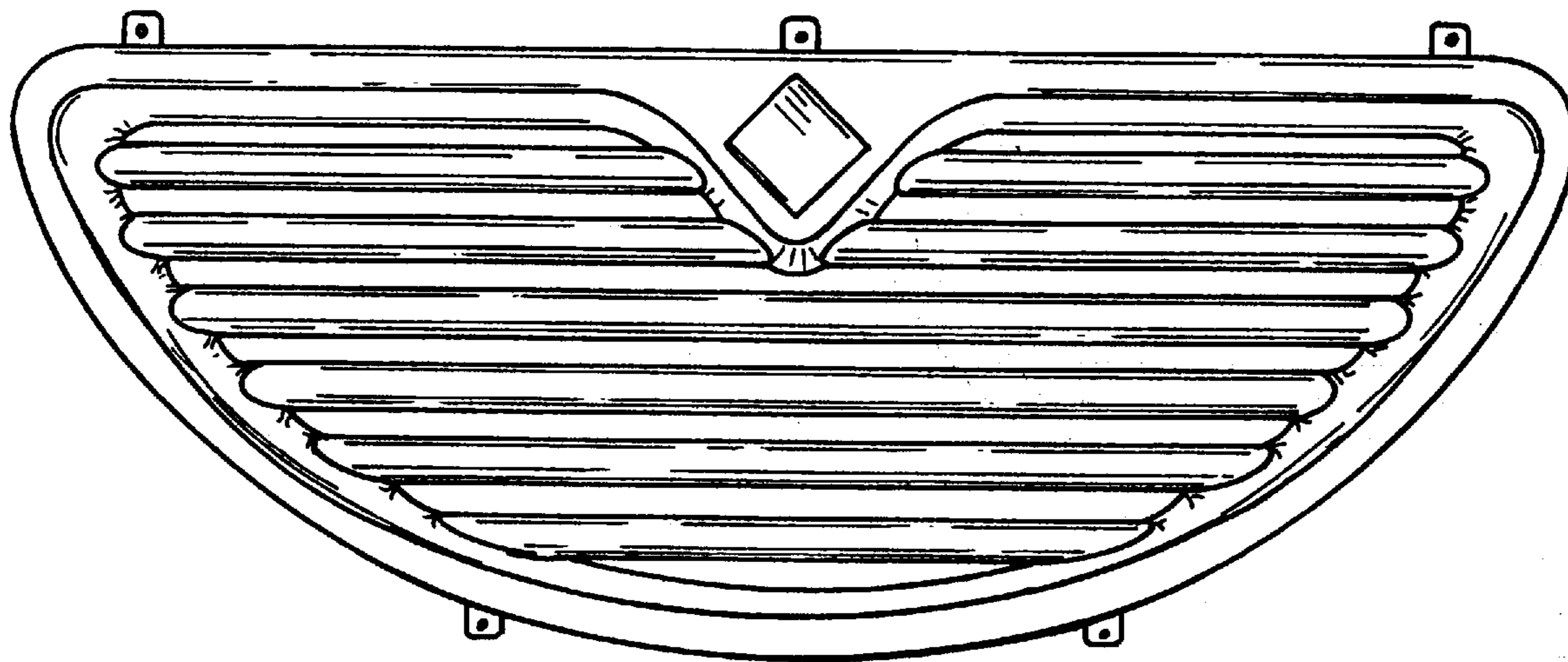


FIG. 5

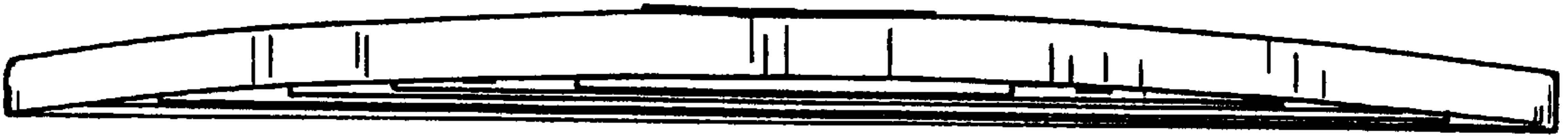


FIG. 4

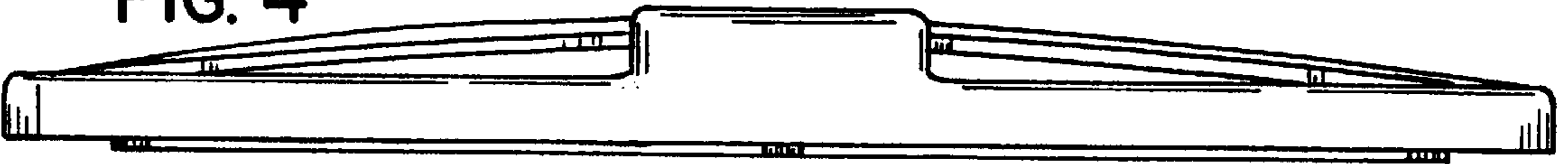


FIG. 3

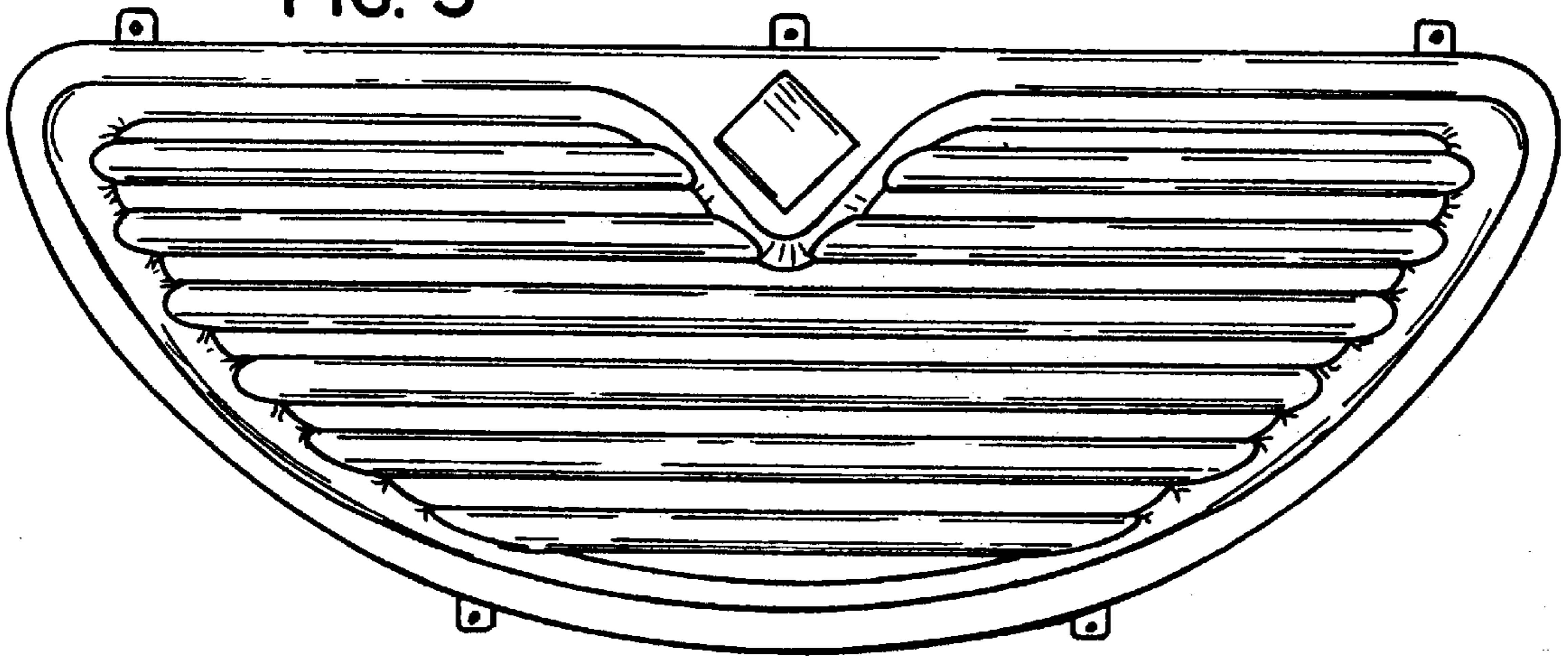


FIG. 1

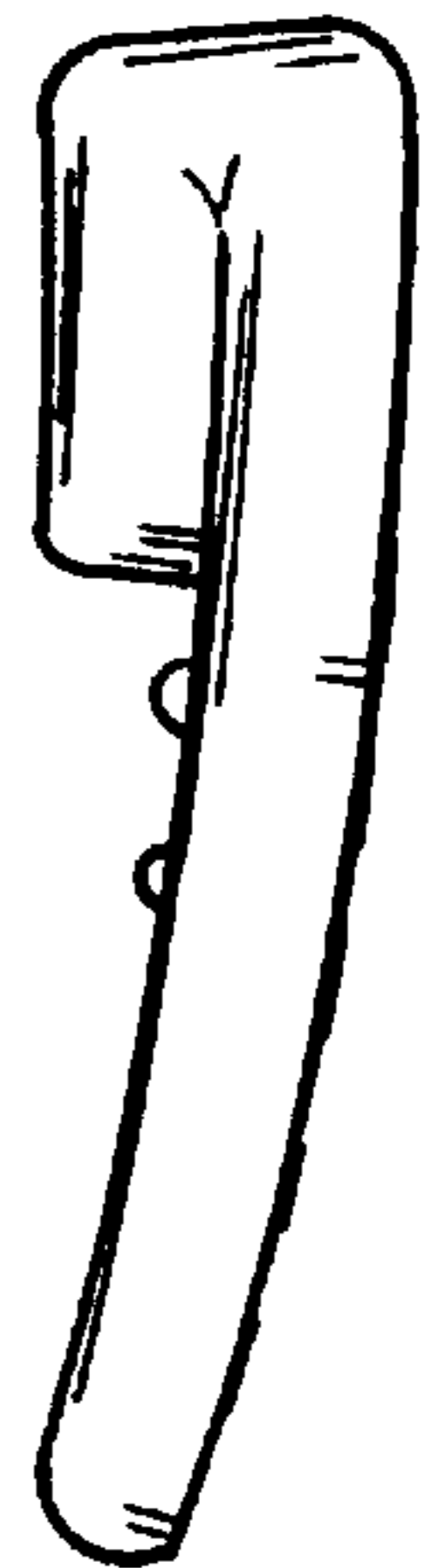
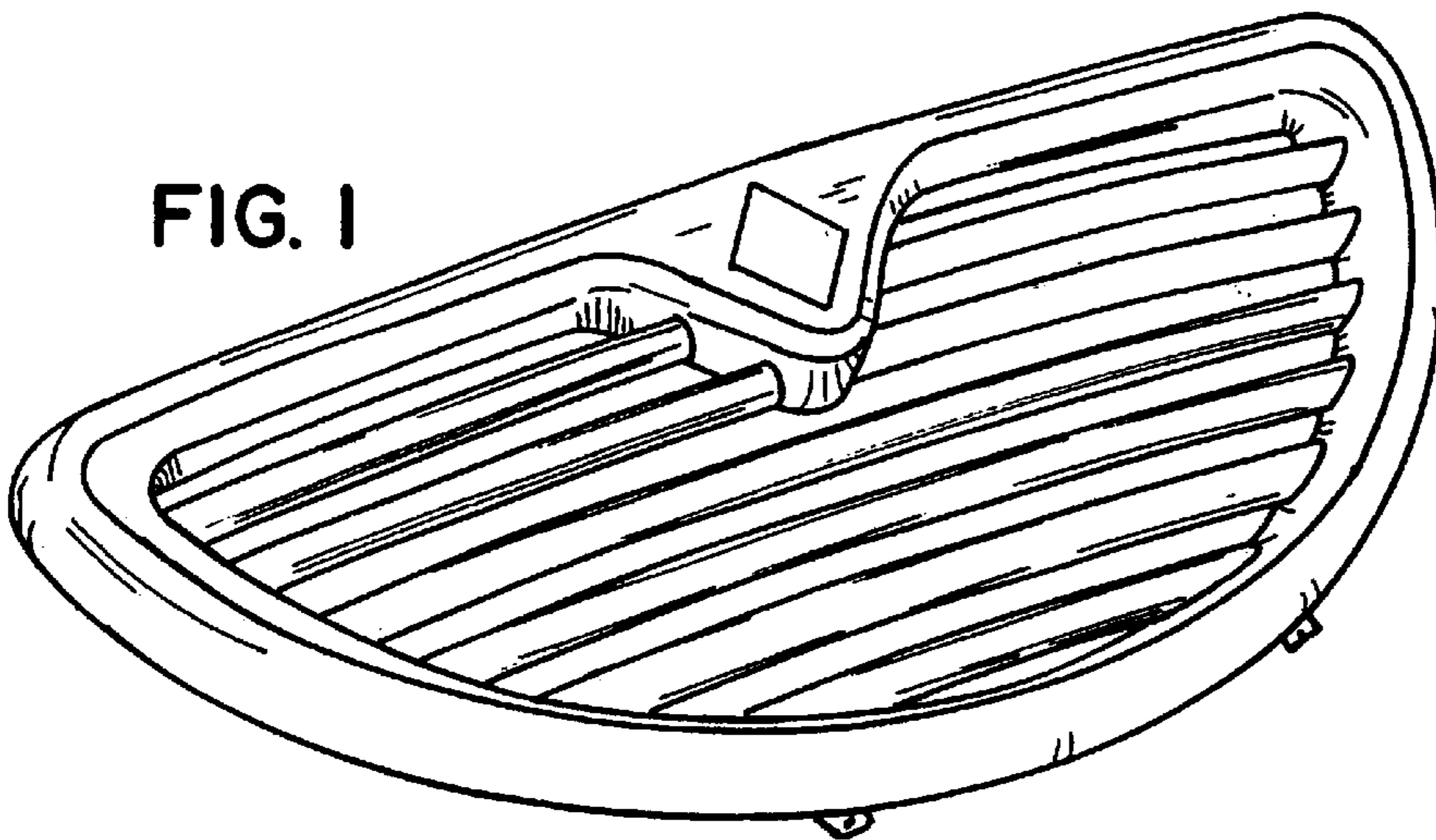


FIG. 2