



US00D403282S

United States Patent [19]

Aull et al.

[11] Patent Number: **Des. 403,282**

[45] Date of Patent: ****Dec. 29, 1998**

[54] **TIRE TREAD**

[75] Inventors: **Joseph Louis Aull**, New Philadelphia;
Jeffrey Joe McElfresh, Ravenna; **Karl Eric Sundkvist**, Akron; **Piotr Janusz Wesolowski**, Cuyahoga Falls, all of Ohio; **Wolfgang Gnoerich**, Mersch, Luxembourg

[73] Assignee: **The Goodyear Tire & Rubber Company**, Akron, Ohio

[**] Term: **14 Years**

[21] Appl. No.: **75,992**

[22] Filed: **Aug. 28, 1997**

Related U.S. Application Data

[63] Continuation-in-part of Ser. No. 63,989, Dec. 20, 1996.

[51] **LOC (6) Cl.** **12-15**

[52] **U.S. Cl.** **D12/147**

[58] **Field of Search** D12/134, 136,
D12/138, 140-151; 152/209 R, 209 A,
209 D

[56] References Cited

U.S. PATENT DOCUMENTS

D. 329,033 9/1992 Maxwell D12/147

D. 340,894	11/1993	Kobayashi	D12/147
D. 350,716	9/1994	Bell et al.	D12/147
D. 350,717	9/1994	Maxwell et al.	D12/147
D. 355,155	2/1995	Breny et al.	D12/147
D. 365,794	1/1996	Weber et al.	D12/147
D. 379,443	5/1997	Arendt et al.	D12/147
D. 379,446	5/1997	Hutson et al.	D12/147
5,002,109	3/1991	Shepler et al.	152/209 A
5,329,980	7/1994	Swift et al.	152/209 A
5,425,406	6/1995	Swift et al.	152/209 A

Primary Examiner—Robert M. Spear
Attorney, Agent, or Firm—T P Lewandowski

[57] CLAIM

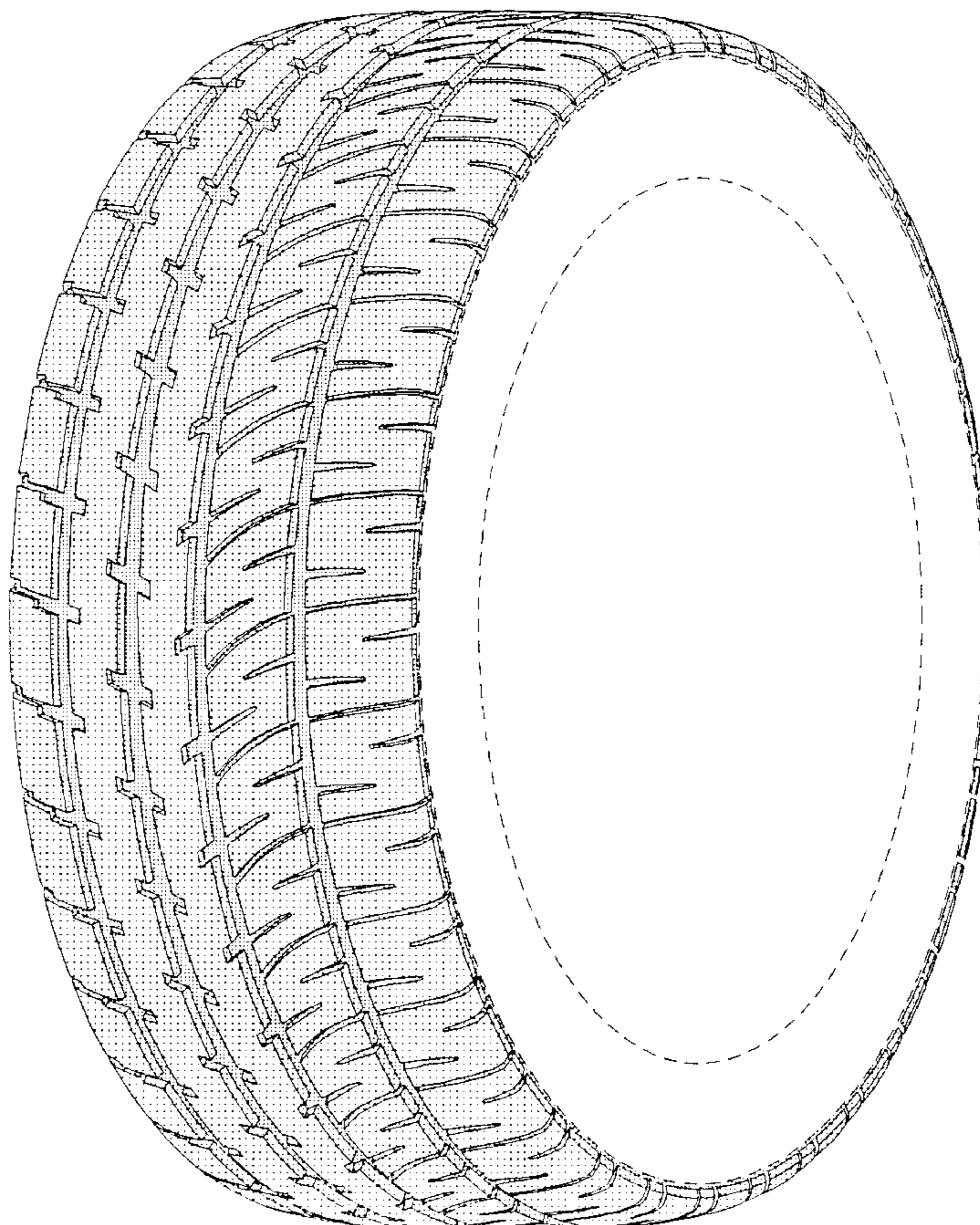
The ornamental design for a tire tread, as shown and described.

DESCRIPTION

FIG. 1 is a perspective view of a tire tread showing our new design, it being understood that the pattern repeats uniformly throughout the circumference of the tread; FIG. 2 is a front elevational view thereof; FIG. 3 is a right side elevational view thereof; FIG. 4 is a left side elevational view thereof; and, FIG. 5 is an enlarged fragmentary front elevational view thereof.

In the drawings, the broken lines defining the inner bead of the sidewall and the peripheral boundary between the tire tread and the sidewall are for illustrative purposes only and form no part of the claimed design.

1 Claim, 5 Drawing Sheets



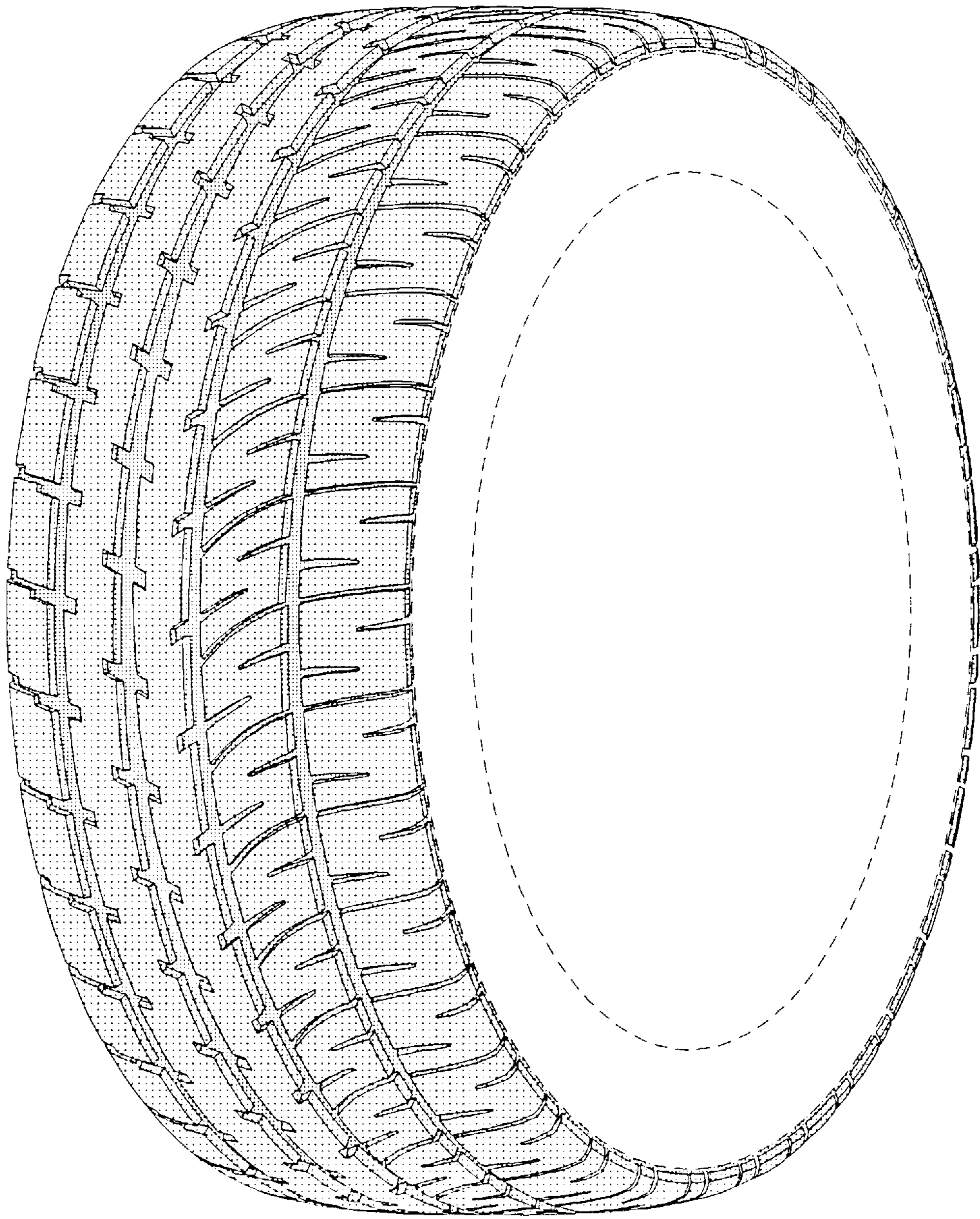


FIG. 1

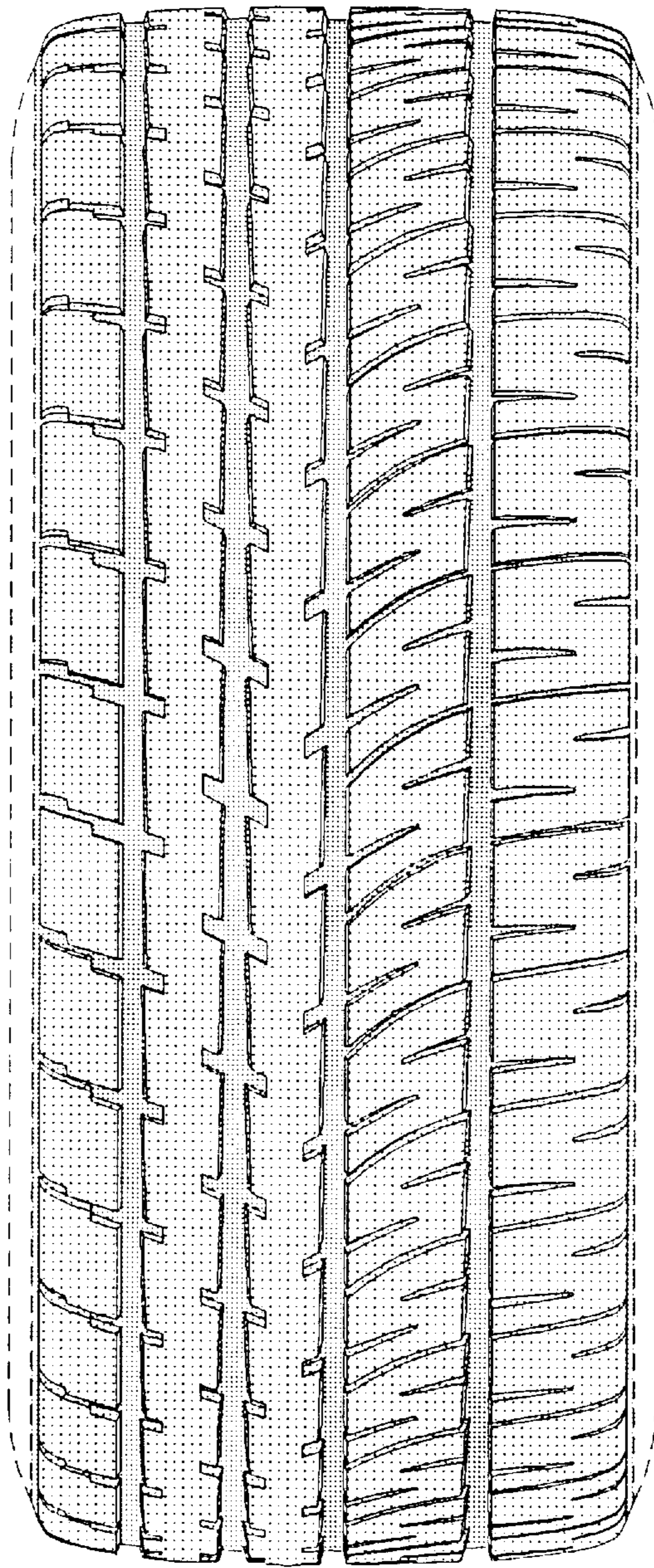


FIG. 2

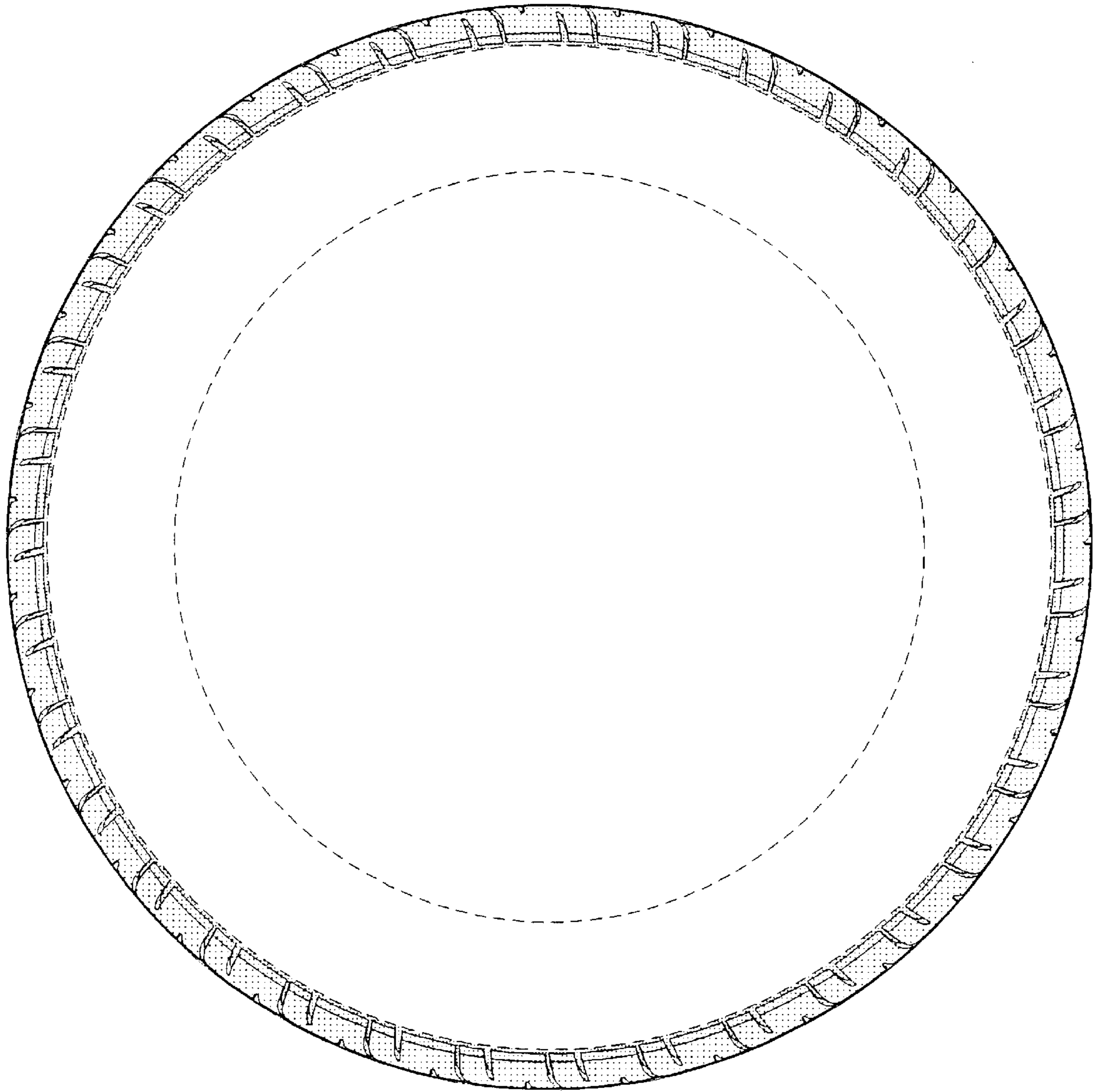


FIG. 3

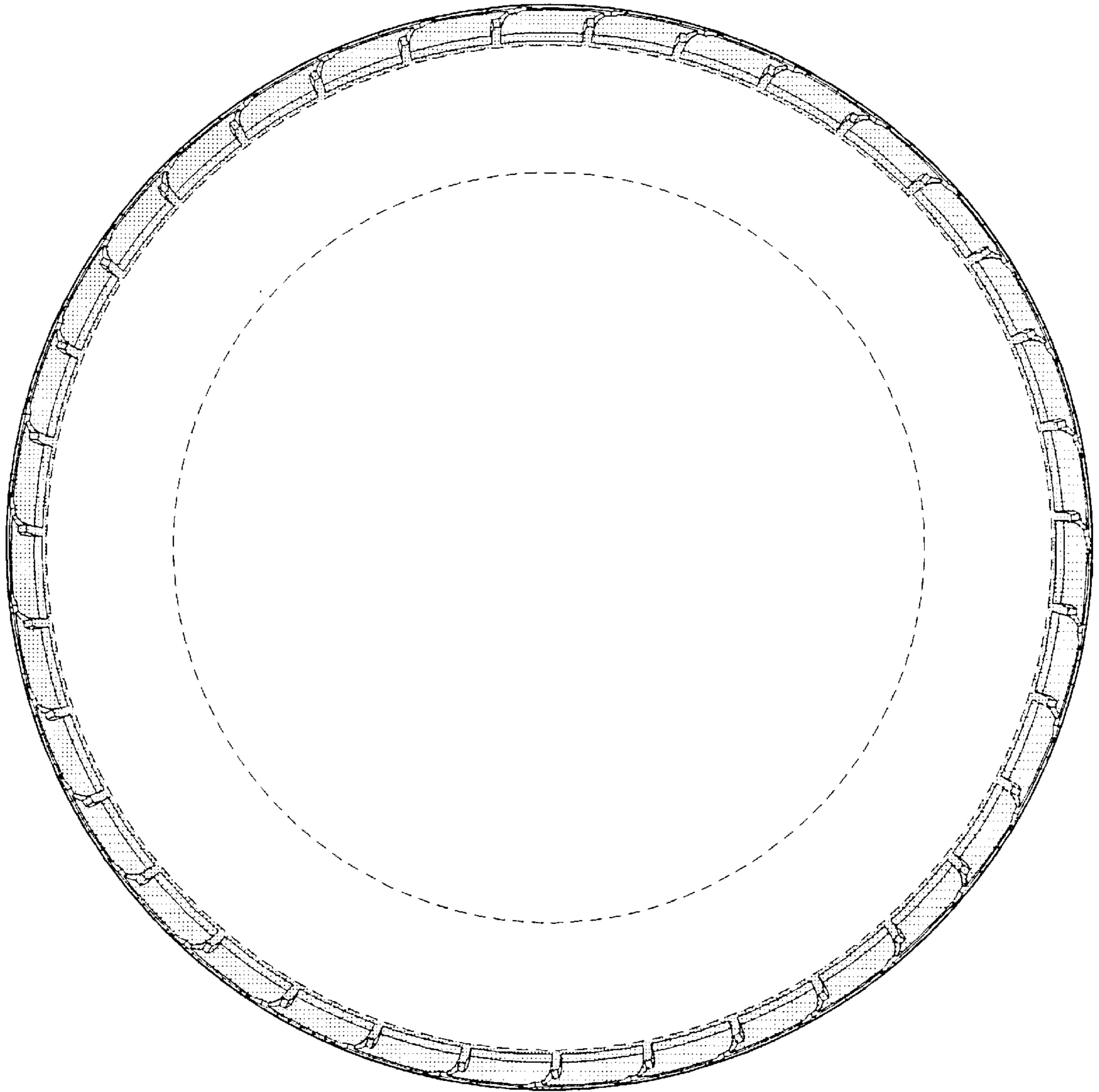


FIG. 4

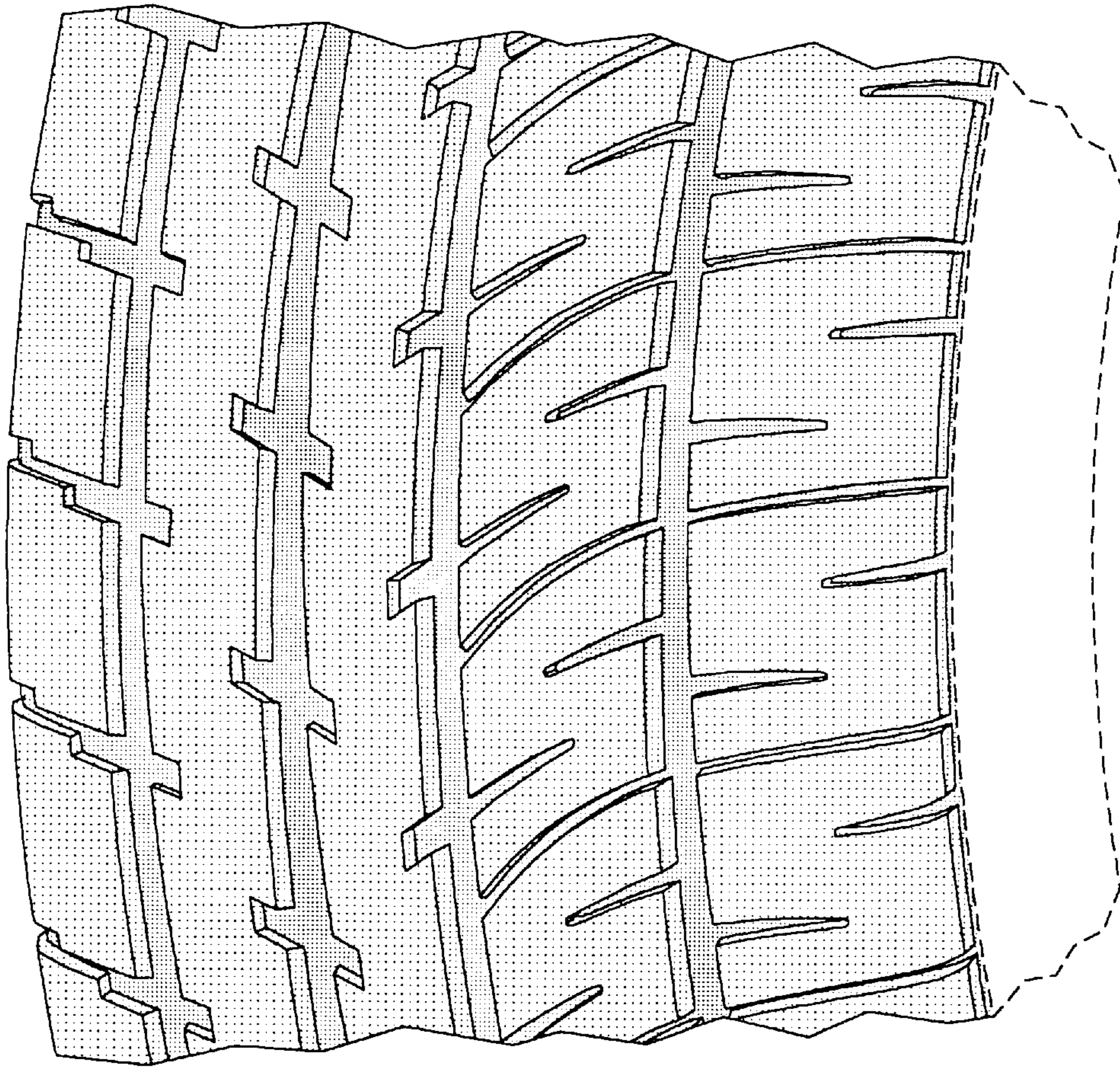


FIG. 5