



US00D403281S

# United States Patent [19]

Allen et al.

[11] Patent Number: **Des. 403,281**

[45] Date of Patent: **\*\*Dec. 29, 1998**

[54] **TIRE TREAD**

[75] Inventors: **Walter Dale Allen**, Akron; **Keith Eric Grabo**, Brecksville; **Warren Lee Croyle**, Wadsworth; **Marc Christopher Nowacki**, Uniontown; **David Ray Hubbell, Jr.**, Hartville, all of Ohio

[73] Assignee: **The Goodyear Tire & Rubber Company**, Akron, Ohio

[\*\*] Term: **14 Years**

[21] Appl. No.: **83,745**

[22] Filed: **Feb. 13, 1998**

### Related U.S. Application Data

[62] Division of Ser. No. 57,242, Jul. 19, 1996.

[51] **LOC (6) Cl.** ..... **12-15**

[52] **U.S. Cl.** ..... **D12/147**

[58] **Field of Search** ..... D12/134, 136, D12/138, 140-151; 152/209 A, 209 B, 209 D, 209 R, 209 NT

### [56] References Cited

#### U.S. PATENT DOCUMENTS

- D. 261,497 10/1981 Baus et al. .... D12/146
- D. 290,826 7/1987 Nakaseko ..... D12/147
- D. 293,664 1/1988 Hayakawa et al. .... D12/146

- D. 341,345 11/1993 Killian .
- D. 350,513 9/1994 Mehta et al. .
- D. 364,367 11/1995 Klepper et al. .... D12/146
- D. 365,063 12/1995 Lurois et al. .... D12/147
- D. 367,453 2/1996 Consolacion ..... D12/147
- 5,125,444 6/1992 Yoshida .
- 5,152,852 10/1992 Hisamichi et al. .
- 5,178,699 1/1993 Kakumu et al. .
- 5,205,879 4/1993 Seitz et al. .
- 5,482,099 1/1996 Kajiwara et al. .
- 5,526,860 6/1996 Minami .

*Primary Examiner*—Robert M. Spear  
*Attorney, Agent, or Firm*—T P Lewandowski

### [57] CLAIM

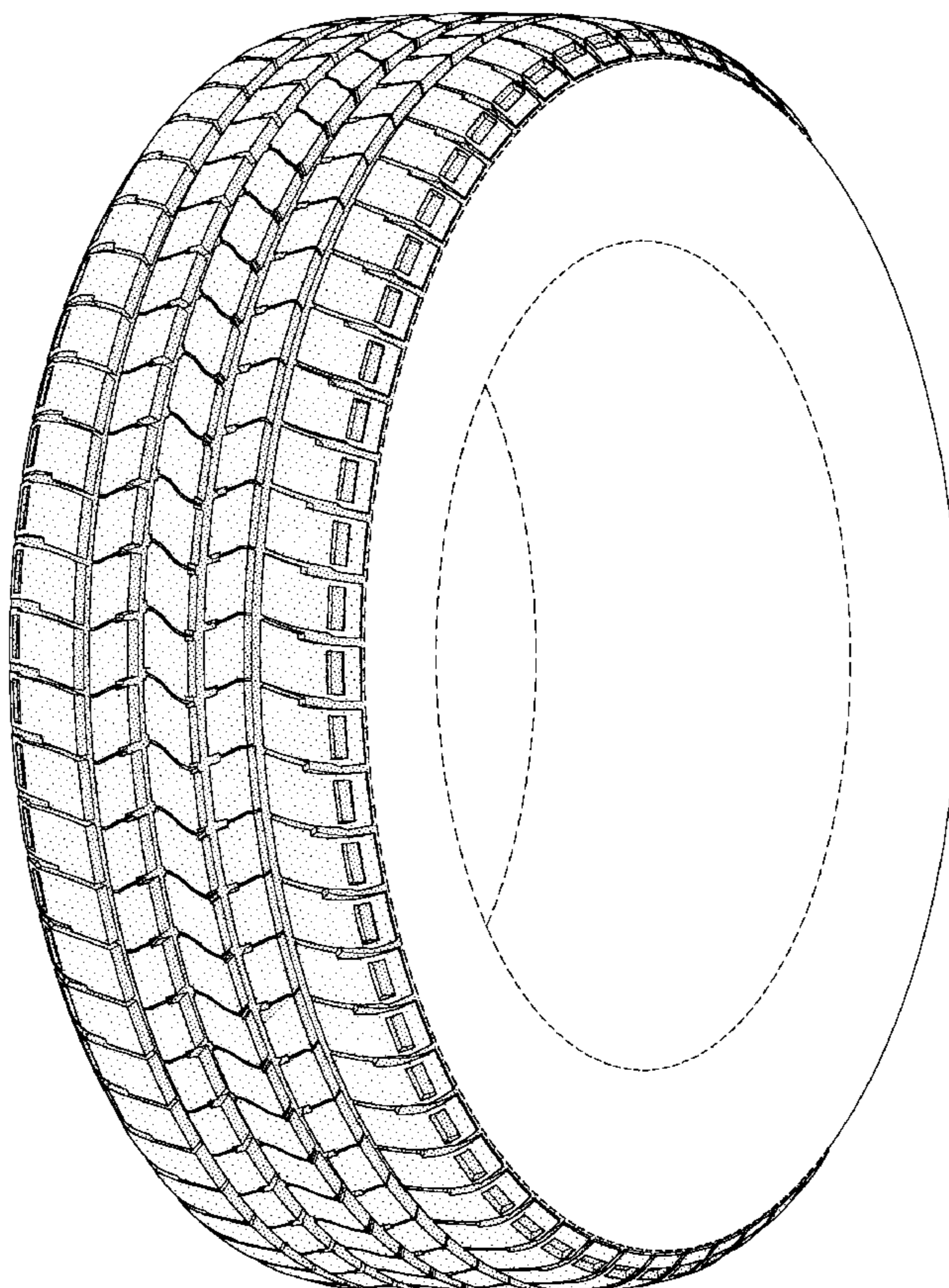
The ornamental design for a tire tread, as shown and described.

### DESCRIPTION

FIG. 1 is a perspective view of a tire tread showing our new design, it being understood that the tread pattern repeats uniformly throughout the circumference of the tire tread; FIG. 2 is a front elevational view thereof; FIG. 3 is a side elevational view thereof, the opposite side elevational view being identical thereto; and, FIG. 4 is an enlarged fragmentary front elevational view thereof.

The broken line showing of the tire sidewall in the drawings is for illustrative purposes only and forms no part of the claimed design.

**1 Claim, 4 Drawing Sheets**



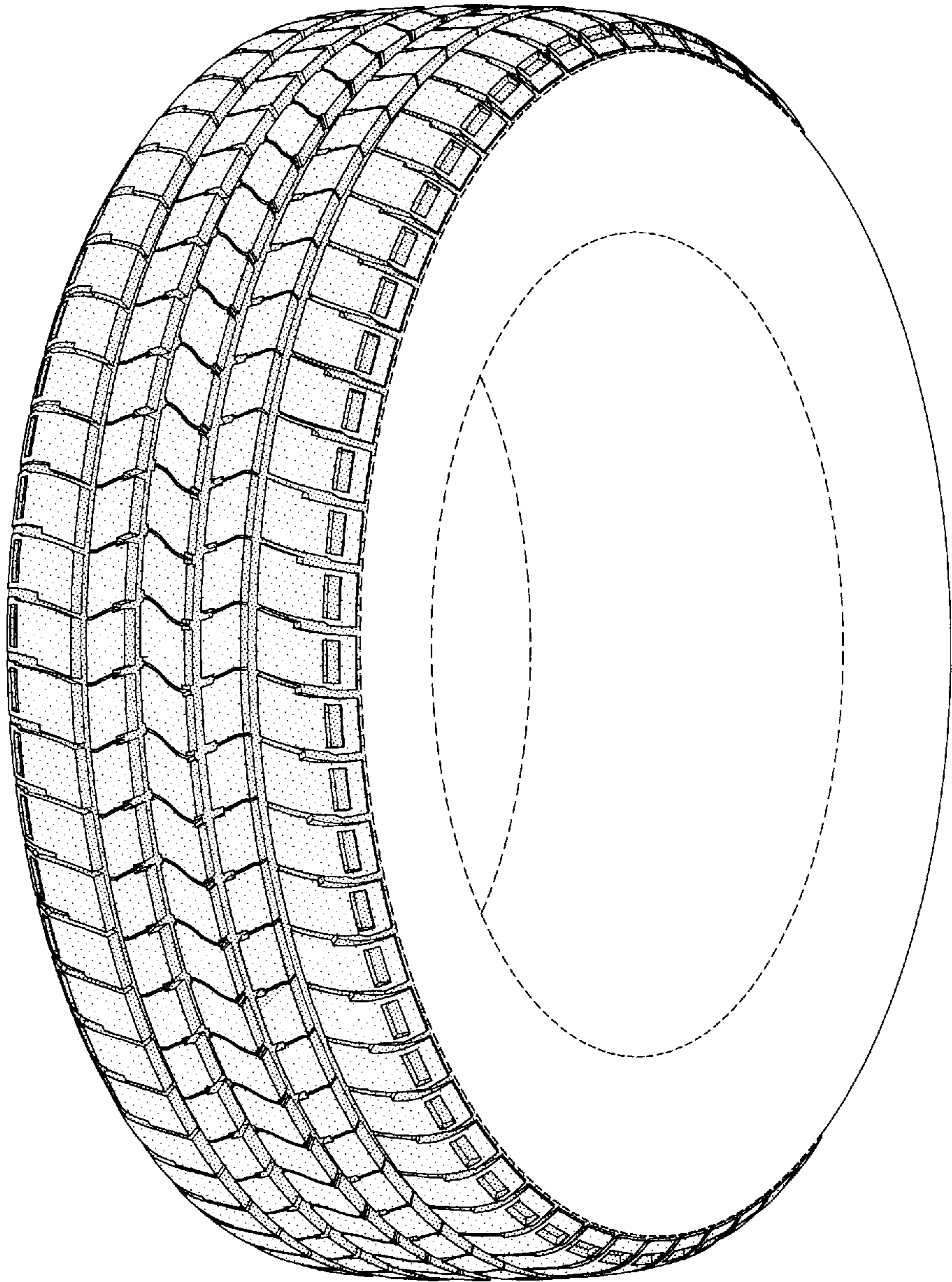


FIG-1



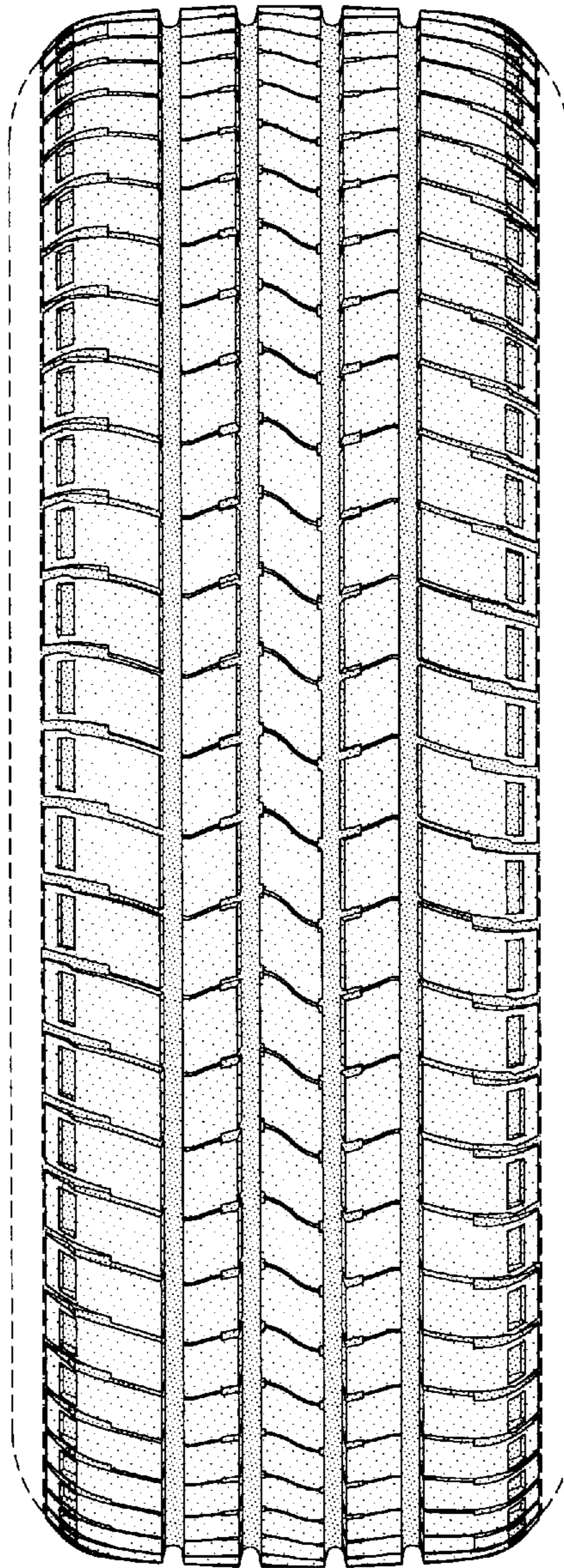


FIG-2

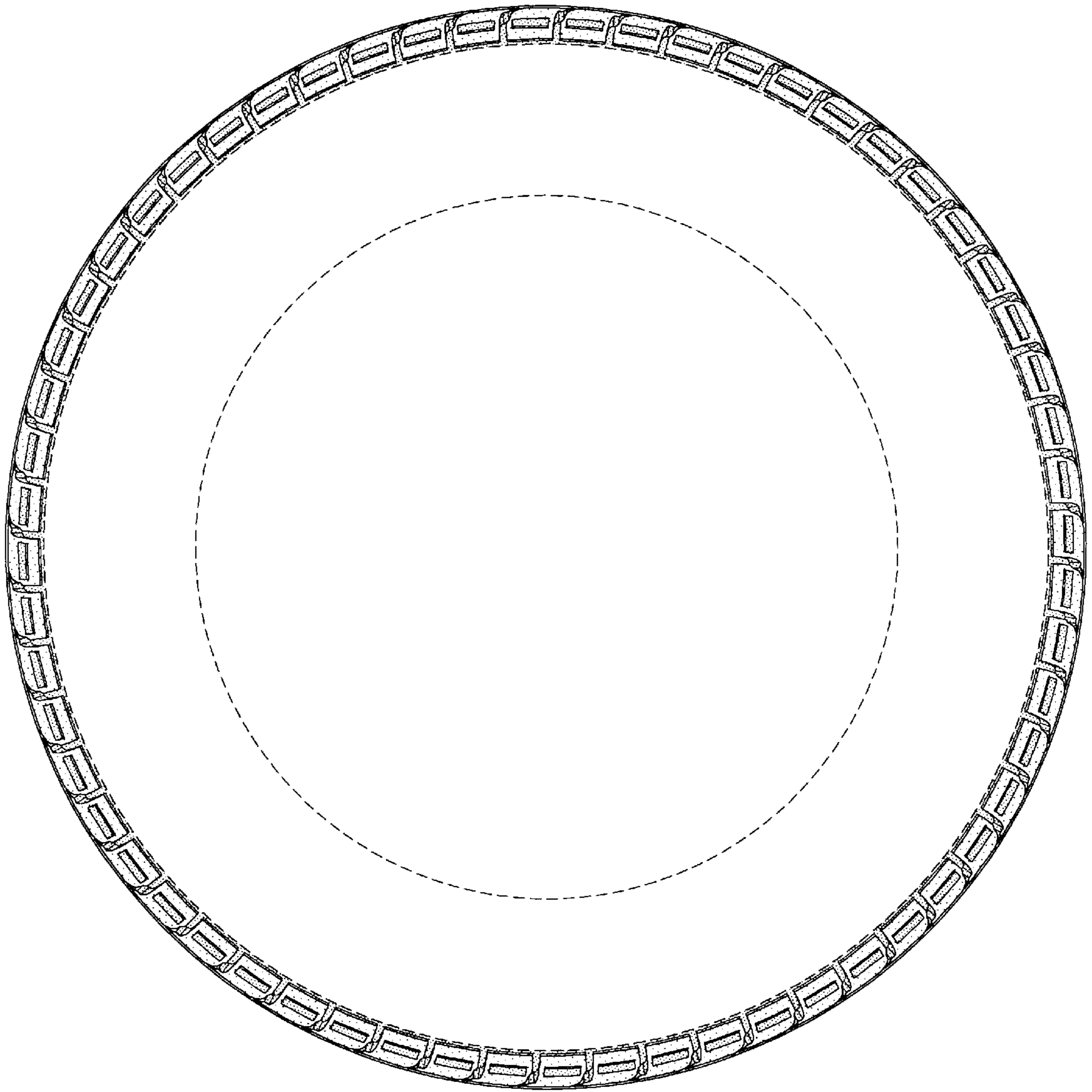


FIG-3

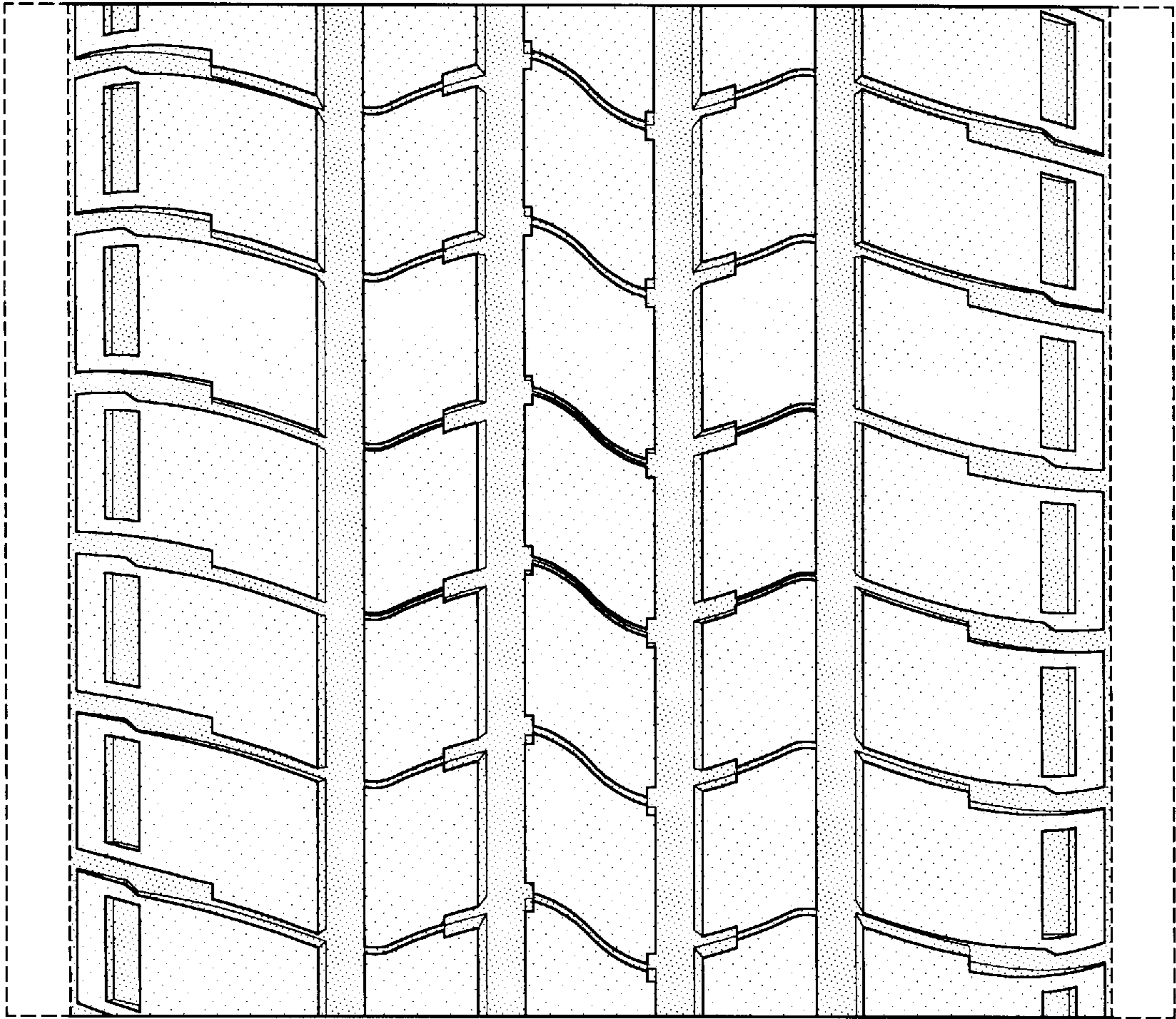


FIG-4