



US00D403279S

**United States Patent** [19]  
**Wu**

[11] **Patent Number: Des. 403,279**

[45] **Date of Patent: \*\*Dec. 29, 1998**

[54] **ELECTRIC MEDICAL SCOOTER**

D. 387,018 12/1997 Cook ..... D12/131  
5,732,788 3/1998 Brown ..... 180/326

[76] Inventor: **Donald P. H. Wu**, No. 169, Ken Tzu Ku, Sheng Ken Tsun, Hsin Feng Hsiang, Hsinchu Hsien, Taiwan

*Primary Examiner*—Kay H. Chin  
*Attorney, Agent, or Firm*—Pro-Techtor International Services

[\*\*] Term: **14 Years**

[57] **CLAIM**

[21] Appl. No.: **78,401**

The ornamental design for a electric medical scooter, as shown.

[22] Filed: **Oct. 8, 1997**

**DESCRIPTION**

[51] **LOC (6) Cl.** ..... **12-12**

[52] **U.S. Cl.** ..... **D12/131; D12/128**

[58] **Field of Search** ..... D12/128, 131;  
280/304.1, 250.1; 180/6.5, 65.1, 65.6, 21,  
907, 908, 326; 297/DIG. 4

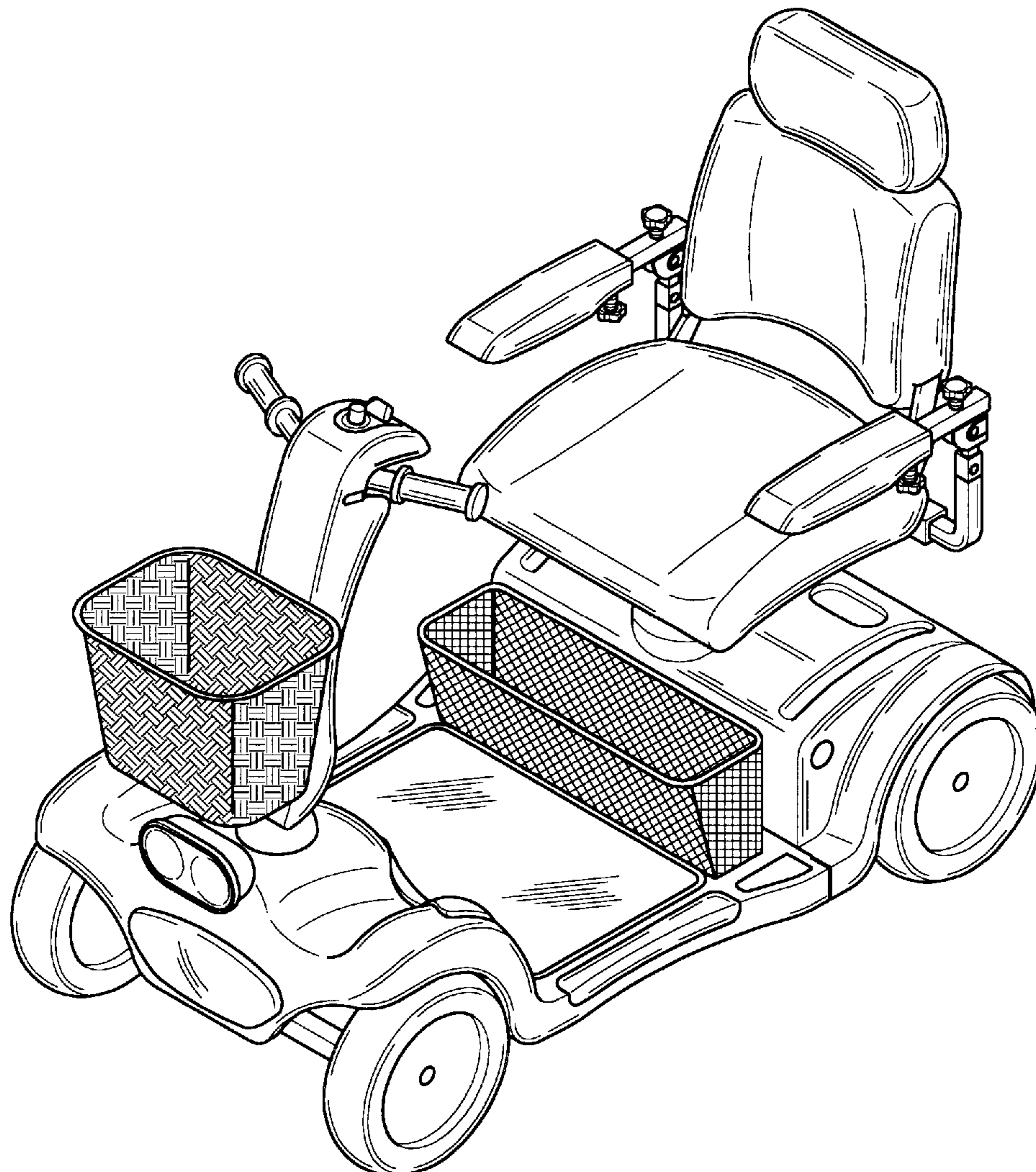
FIG. 1 is front view of a electric medical scooter showing the preferred embodiment of my new design;  
FIG. 2 is a rear view of the electric medical scooter;  
FIG. 3 is a left side view of the electric medical scooter;  
FIG. 4 is a right side view of the electric medical scooter;  
FIG. 5 is a top view of the electric medical scooter;  
FIG. 6 is a bottom view of the electric medical scooter; and,  
FIG. 7 is a perspective view of the electric medical scooter.

[56] **References Cited**

**U.S. PATENT DOCUMENTS**

D. 325,892 5/1992 Nesterick et al. .... D12/131  
D. 382,838 8/1997 Black ..... D12/131

**1 Claim, 7 Drawing Sheets**



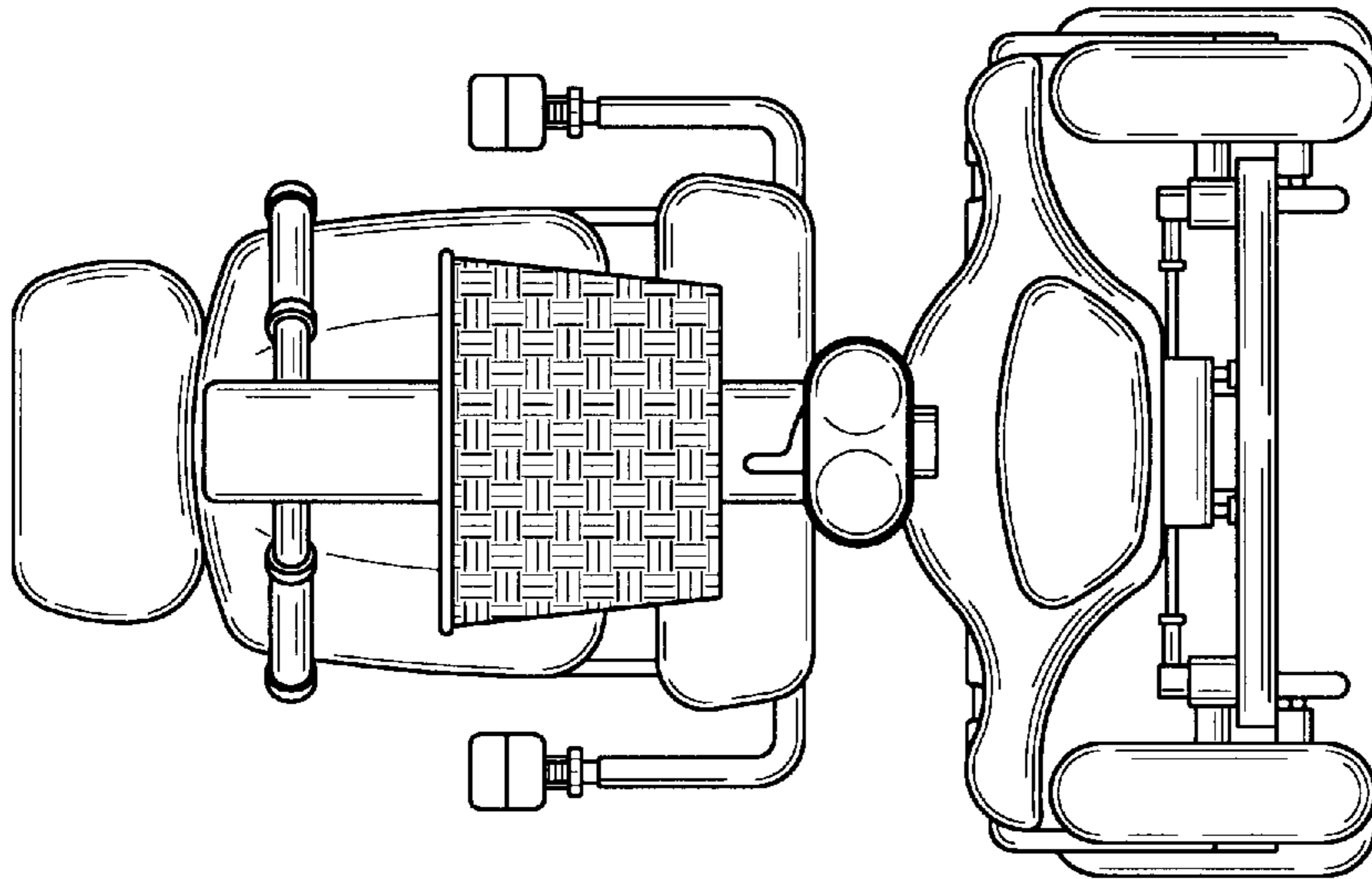


Fig. 1

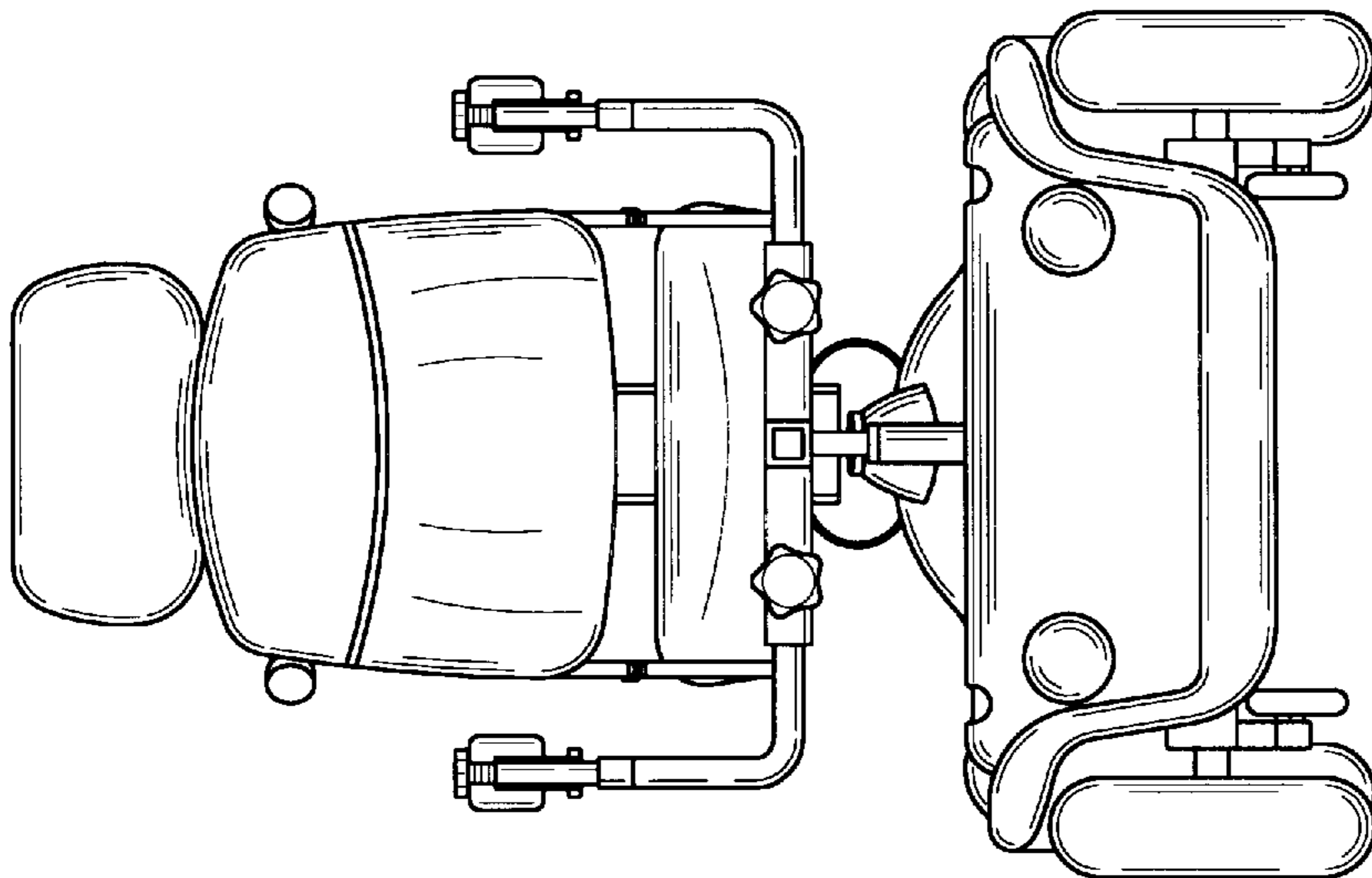


Fig. 2

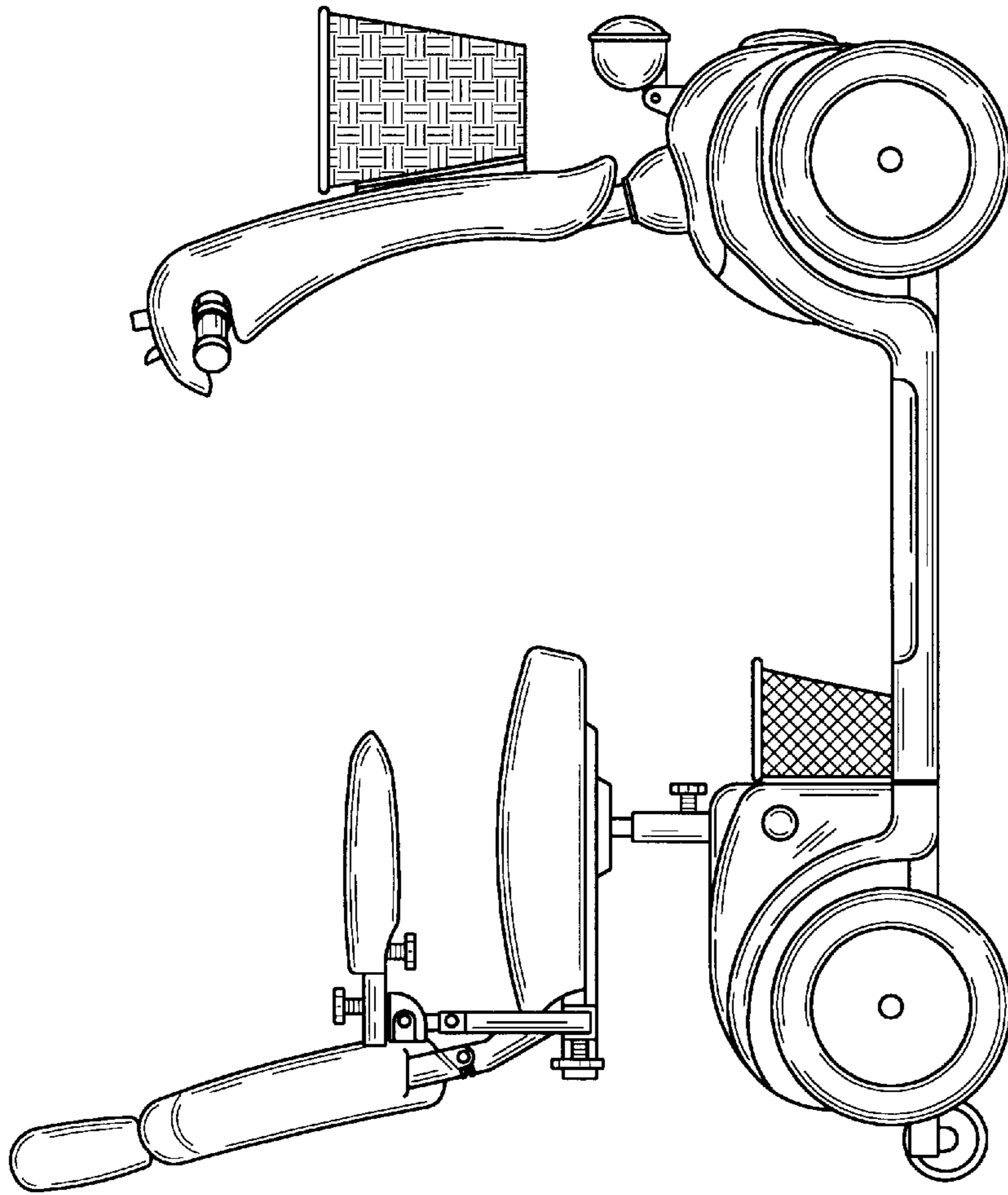


Fig. 3

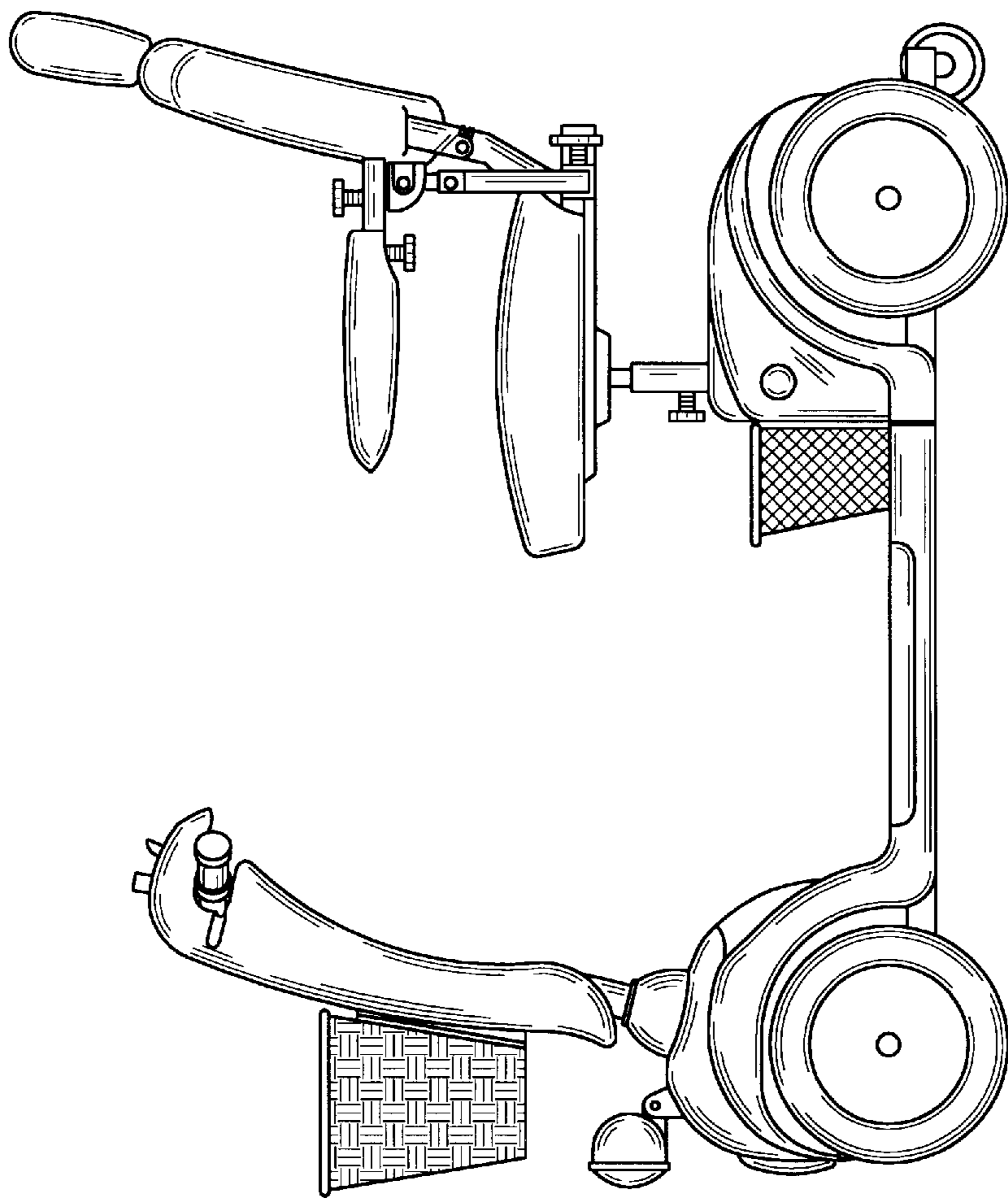


Fig. 4

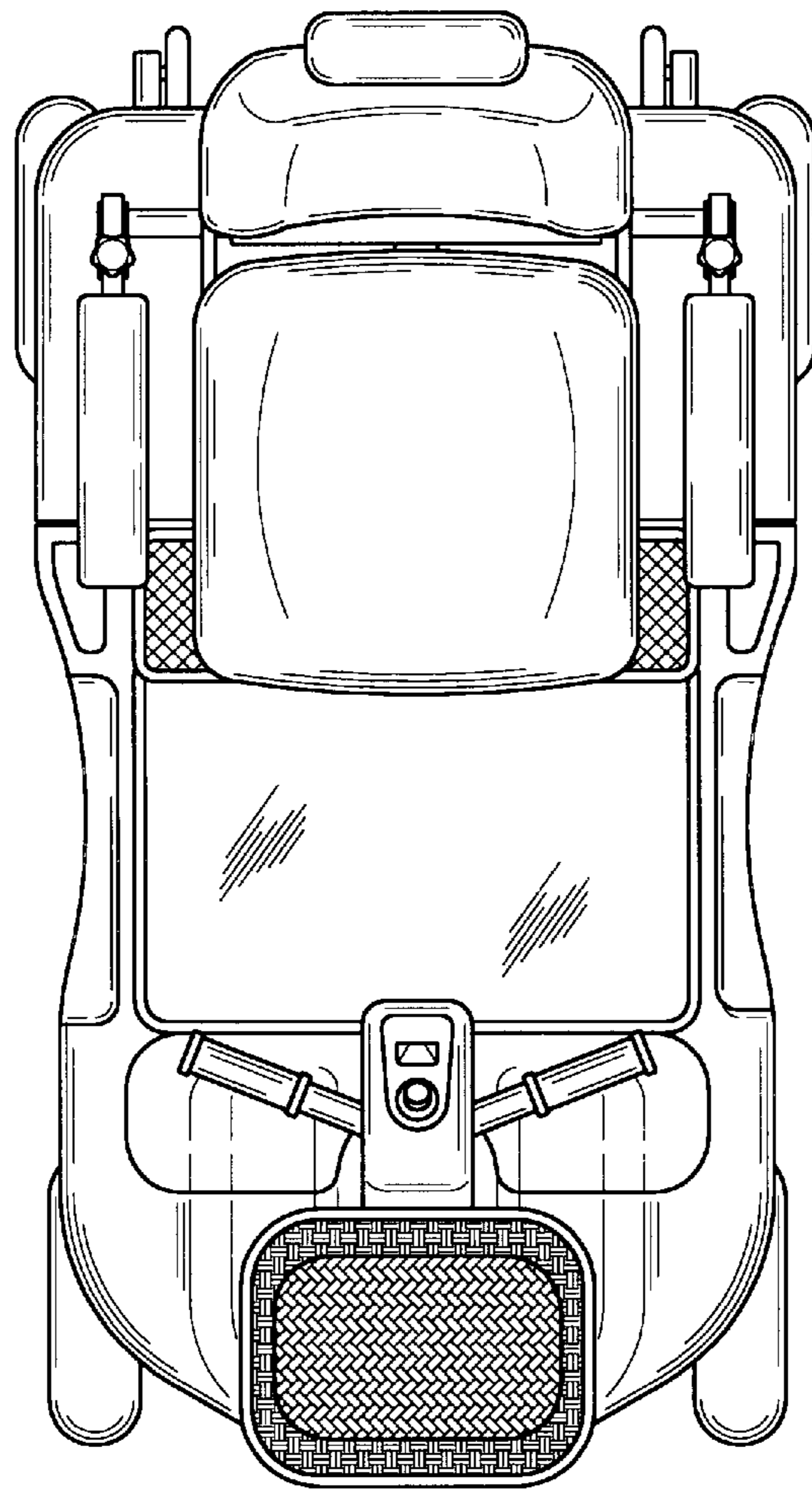


Fig. 5

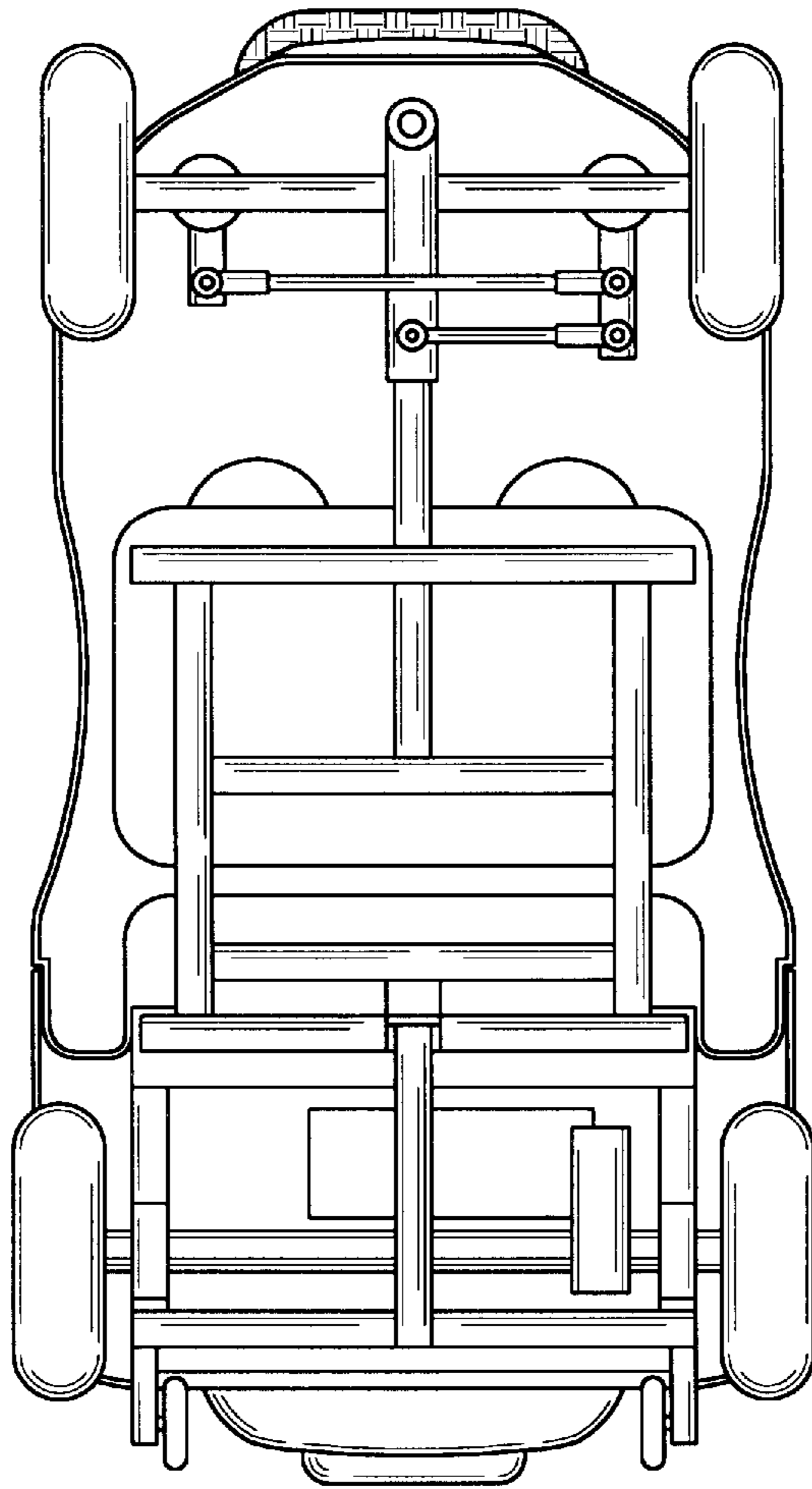


Fig. 6

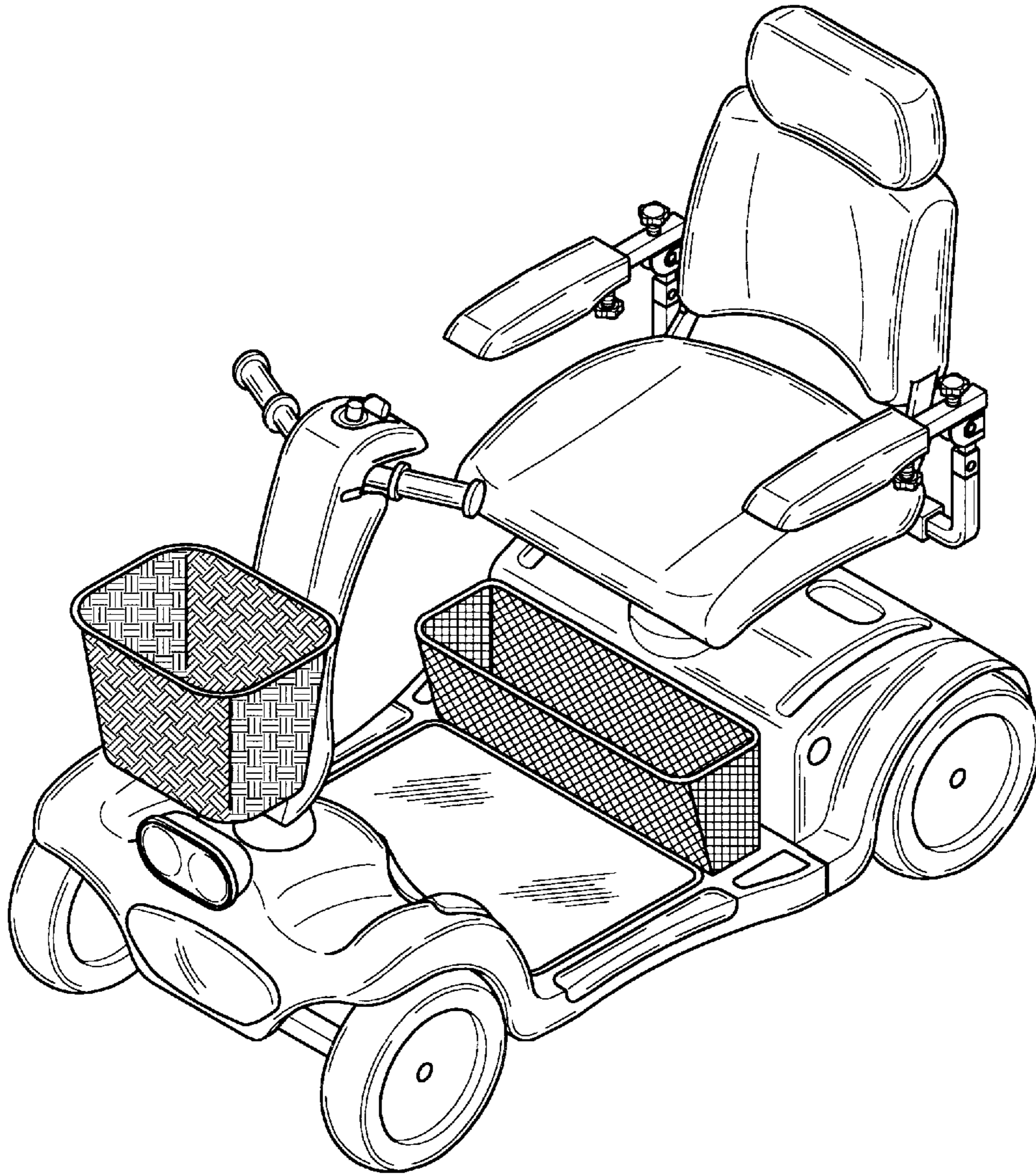


Fig. 7