



US00D403268S

United States Patent [19] Dignam

[11] Patent Number: **Des. 403,268**

[45] Date of Patent: ****Dec. 29, 1998**

[54] **RAIL-MOUNTABLE PLANTER**

5,245,800 9/1993 Davenport 52/11
5,388,377 2/1995 Faulkner 52/11

[76] Inventor: **Donna Dignam**, 2202 E. Scyene Rd.
Bldg. B, Mesquite, Tex. 75181

FOREIGN PATENT DOCUMENTS

[**] Term: **14 Years**

047131 8/1937 United Kingdom .
2250421 10/1992 United Kingdom .

[21] Appl. No.: **30,942**

OTHER PUBLICATIONS

[22] Filed: **Oct. 20, 1994**

“Hardware Age”, Jan. 1957, p. 17.

[51] **LOC (6) Cl.** **11-02**

Primary Examiner—B. J. Bullock

[52] **U.S. Cl.** **D11/156**

Assistant Examiner—Cathron B. Matta

[58] **Field of Search** D11/148, 143,
D11/155, 156; D23/267; 52/11; 405/119,
122; 47/68, 40

[57] CLAIM

The ornamental design for a rail-mountable planter, as shown and described.

[56] References Cited

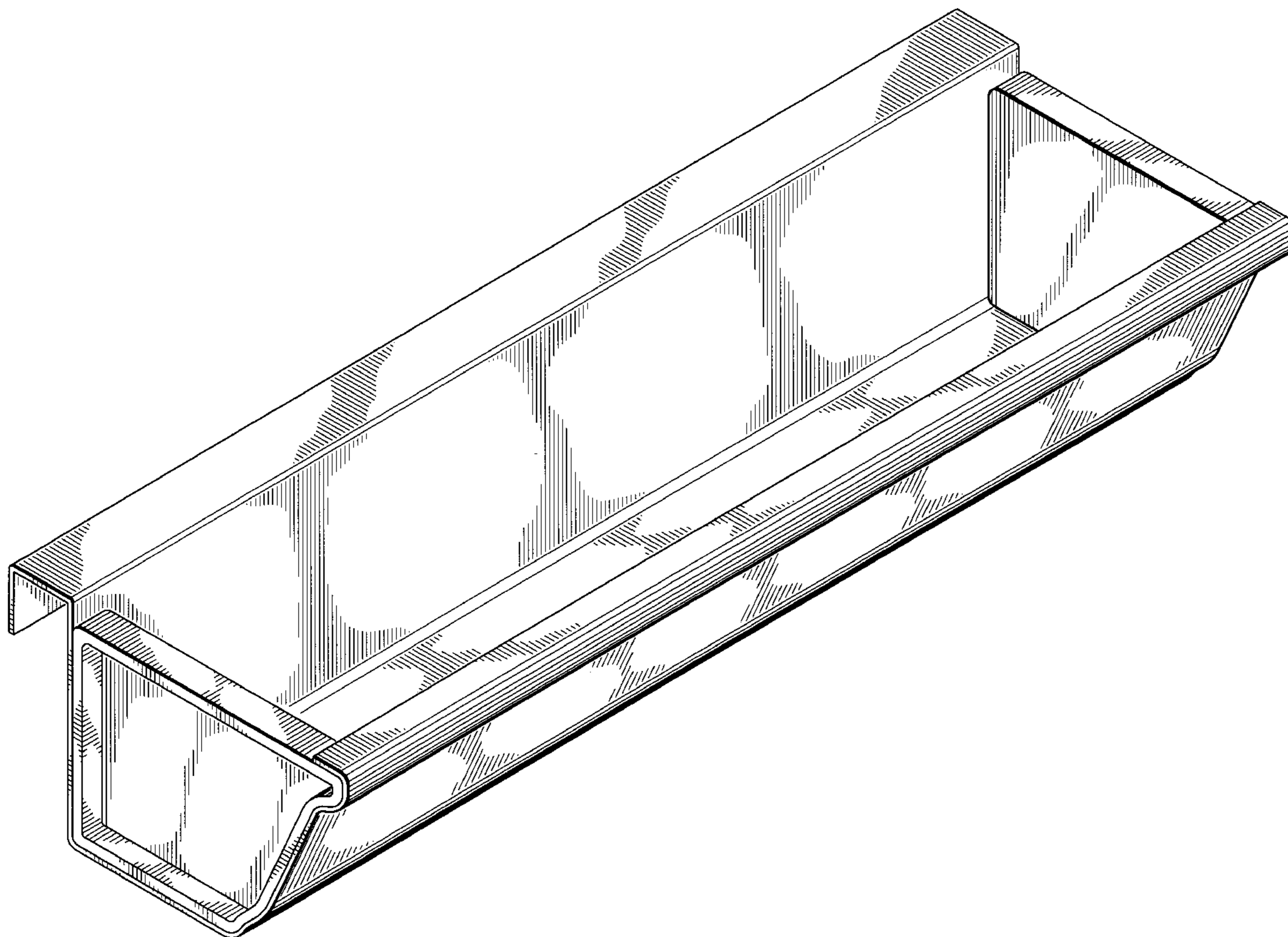
DESCRIPTION

U.S. PATENT DOCUMENTS

D. 255,886	7/1980	Flynn	D23/267	X
D. 265,893	8/1982	Whiting	D11/156	
D. 297,561	9/1988	Leisemann	D23/267	
D. 316,058	4/1991	Mitchell et al.	.		
1,133,836	3/1915	Bolger	D11/156	X
1,443,043	10/1923	Skrauger	.		
1,690,910	11/1928	Shapiro	47/68	
2,659,180	11/1953	Acton	.		
3,331,524	7/1967	Wiley, Jr.	47/40	X
3,603,034	9/1971	Maxwell-Stewart	206/423	X
4,632,342	12/1986	Skinner	52/11	X
4,698,936	10/1987	Helfman	47/40	X
4,714,136	12/1987	Morin	52/11	X
4,896,456	1/1990	Grant	47/83	X

FIG. 1 is a perspective view of a rail-mountable planter according to the present invention;
FIG. 2 is a front view of the rail-mountable planter in accordance with the present invention;
FIG. 3 is a right end view of the rail-mountable planter according to the invention, the left end being a mirror image thereof;
FIG. 4 is a top view of the rail-mountable planter;
FIG. 5 is a back view of the rail-mountable planter; and,
FIG. 6 is a bottom view of the rail-mountable planter in accordance with the present invention.

1 Claim, 3 Drawing Sheets



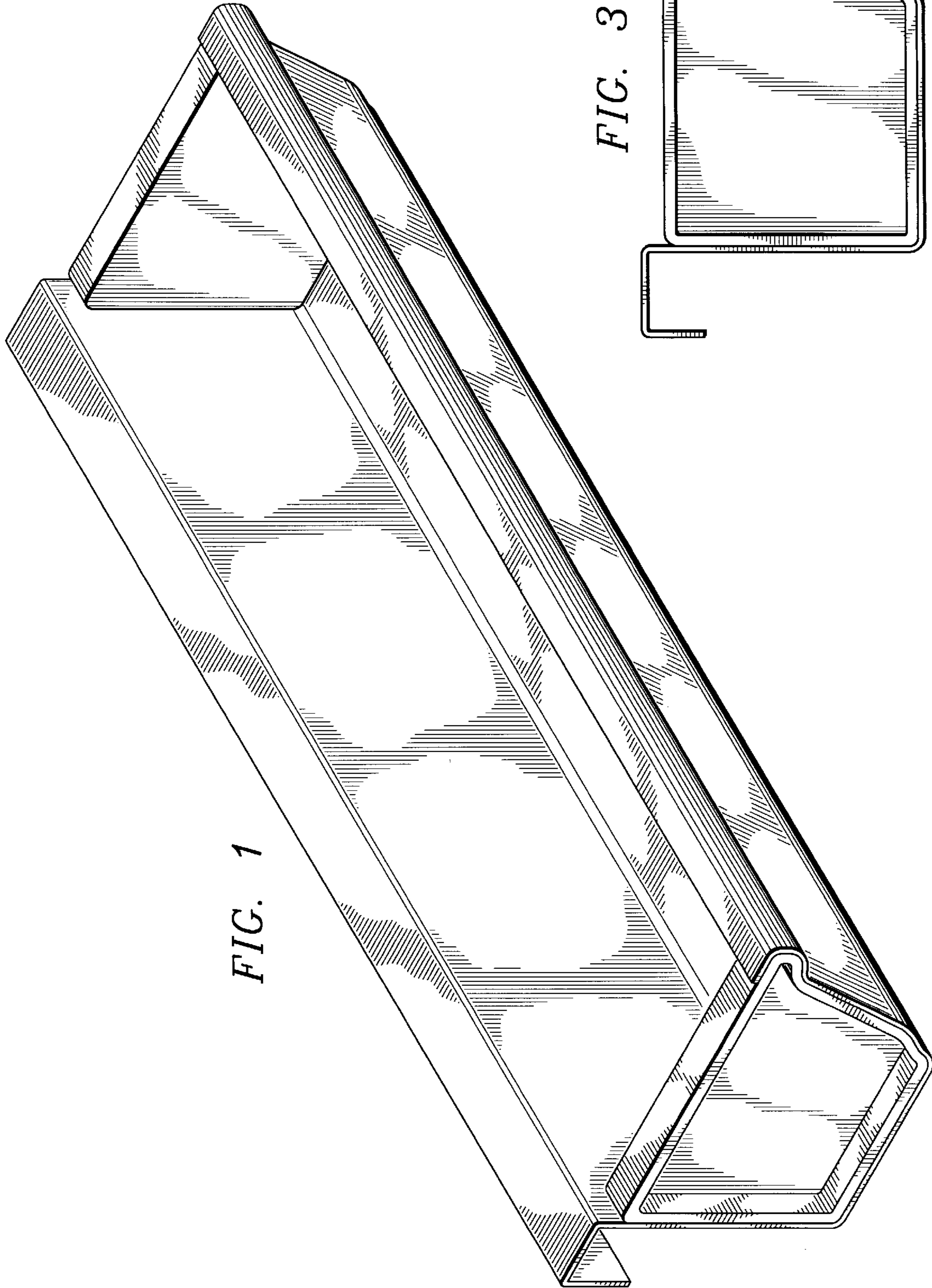


FIG. 1

FIG. 3

FIG. 2

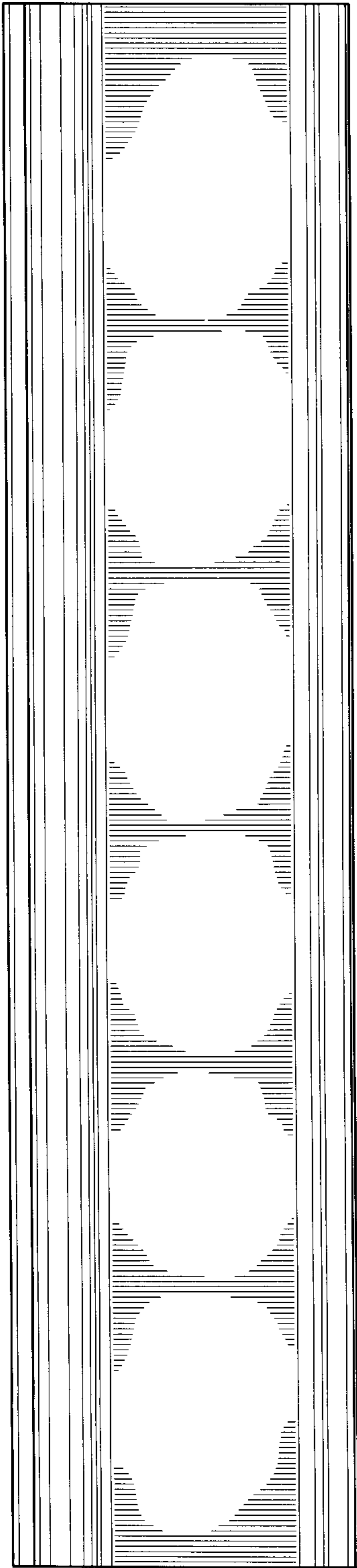


FIG. 4

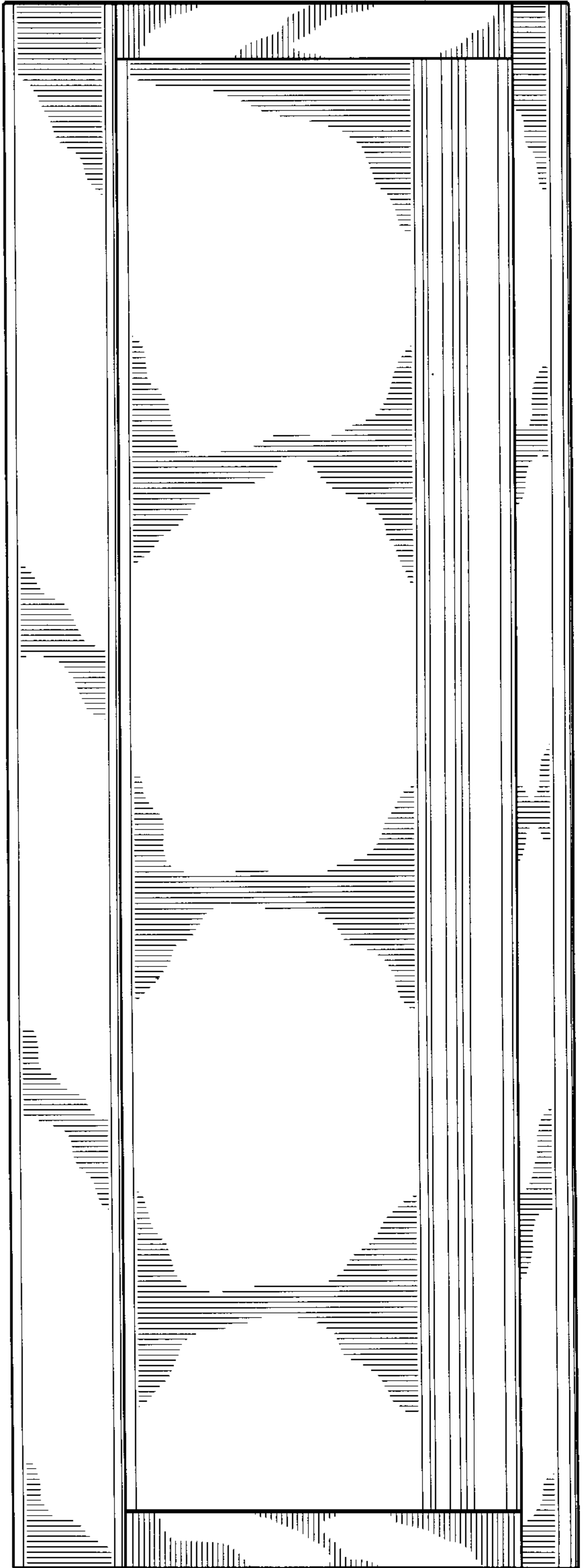


FIG. 5

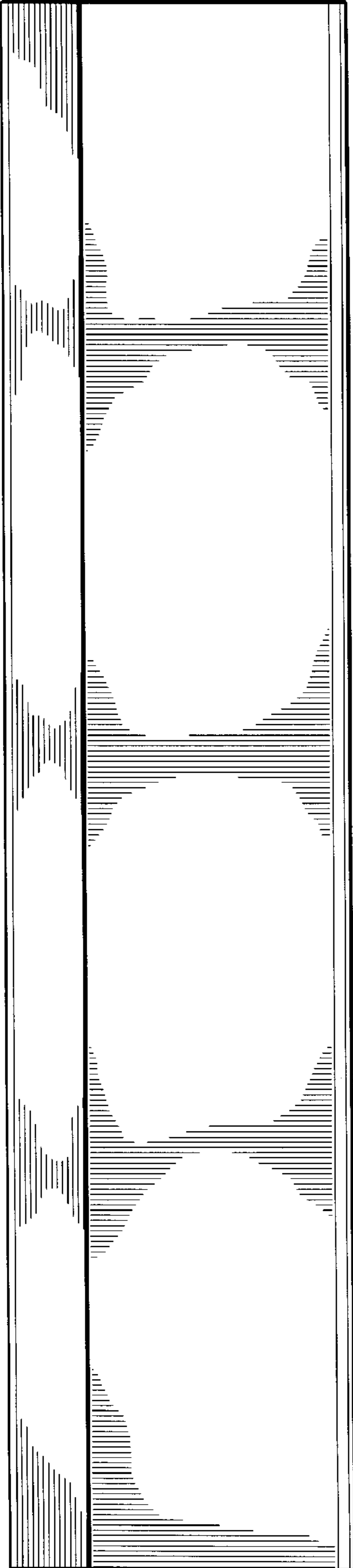


FIG. 6

