



US00D403263S

United States Patent [19]
Giardini et al.

[11] **Patent Number: Des. 403,263**

[45] **Date of Patent: **Dec. 29, 1998**

[54] **AIRPORT RUNWAY GUARD LIGHT**

[75] Inventors: **Douglas Michael Giardini**, Shelton;
Paul John Gongola; **Robert E. Lambert**, both of Enfield, all of Conn.

[73] Assignee: **Cooper Industries, Inc.**, Houston, Tex.

[**] Term: **14 Years**

[21] Appl. No.: **84,413**

[22] Filed: **Mar. 3, 1998**

[51] **LOC (6) Cl.** **10-05**

[52] **U.S. Cl.** **D10/114**

[58] **Field of Search** D10/104, 109,
D10/111, 114, 115; 362/61, 62, 63, 67;
116/200, 202

[56] **References Cited**

U.S. PATENT DOCUMENTS

- D. 252,383 7/1979 Jackson et al. D10/109
- D. 332,233 1/1993 Batts D10/114

Primary Examiner—Marcus A. Jackson
Attorney, Agent, or Firm—Burns, Doane, Swecker & Mathis, L.L.P.

[57] **CLAIM**

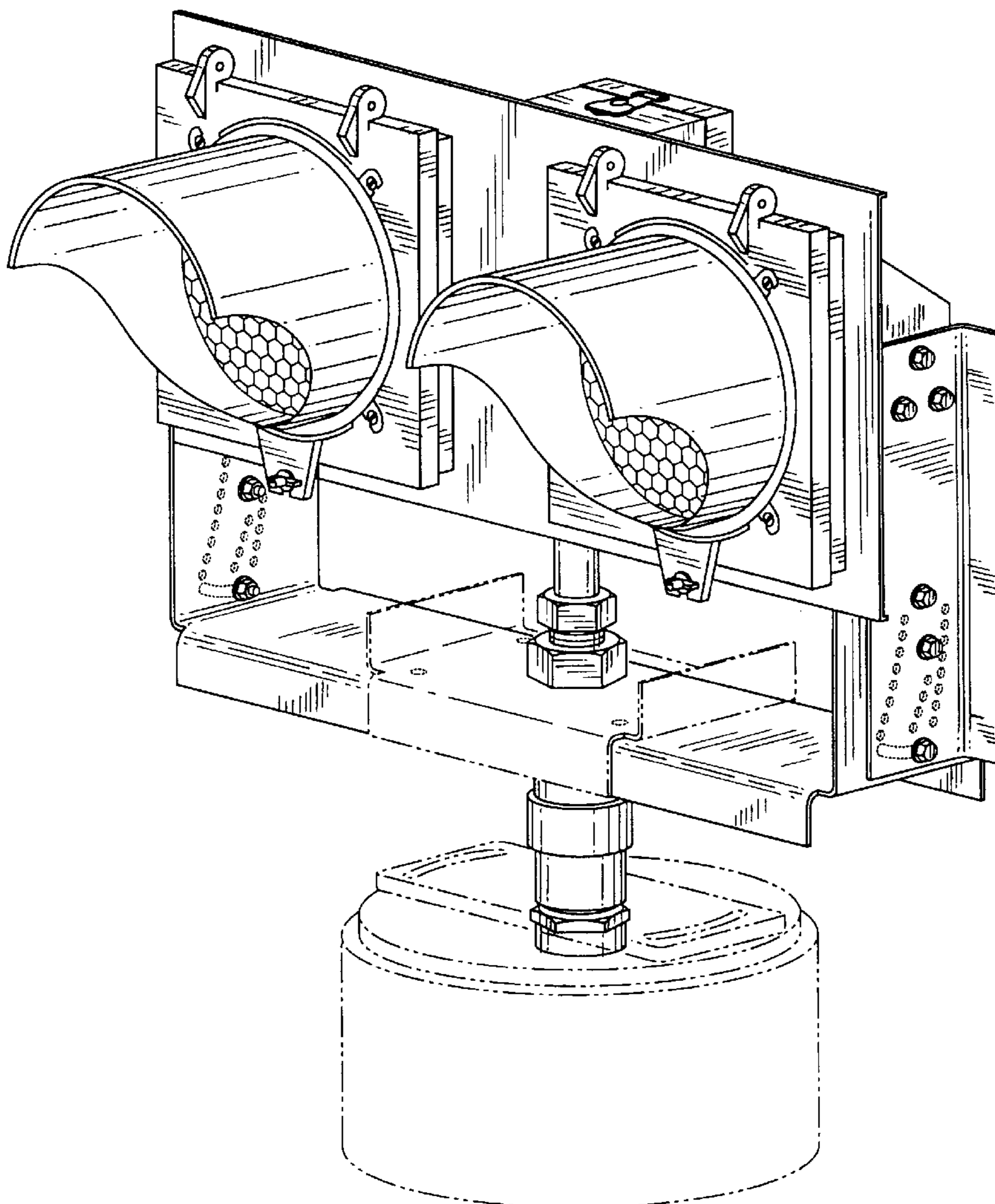
The ornamental design for an airport runway guard light, as shown and described.

DESCRIPTION

FIG. 1 is a perspective view of an airport runway guard light showing our new design;
 FIG. 2 is a front elevational view thereof;
 FIG. 3 is a side elevational view thereof, the other side being a mirror image thereof;
 FIG. 4 is a rear elevational view thereof;
 FIG. 5 is a top plan view thereof; and,
 FIG. 6 is a bottom plan view thereof.

The broken line showing of the adjustment holes, support bracket and base member in FIGS. 1–6 is for illustrative purposes only and forms no part of the claimed design.

1 Claim, 6 Drawing Sheets



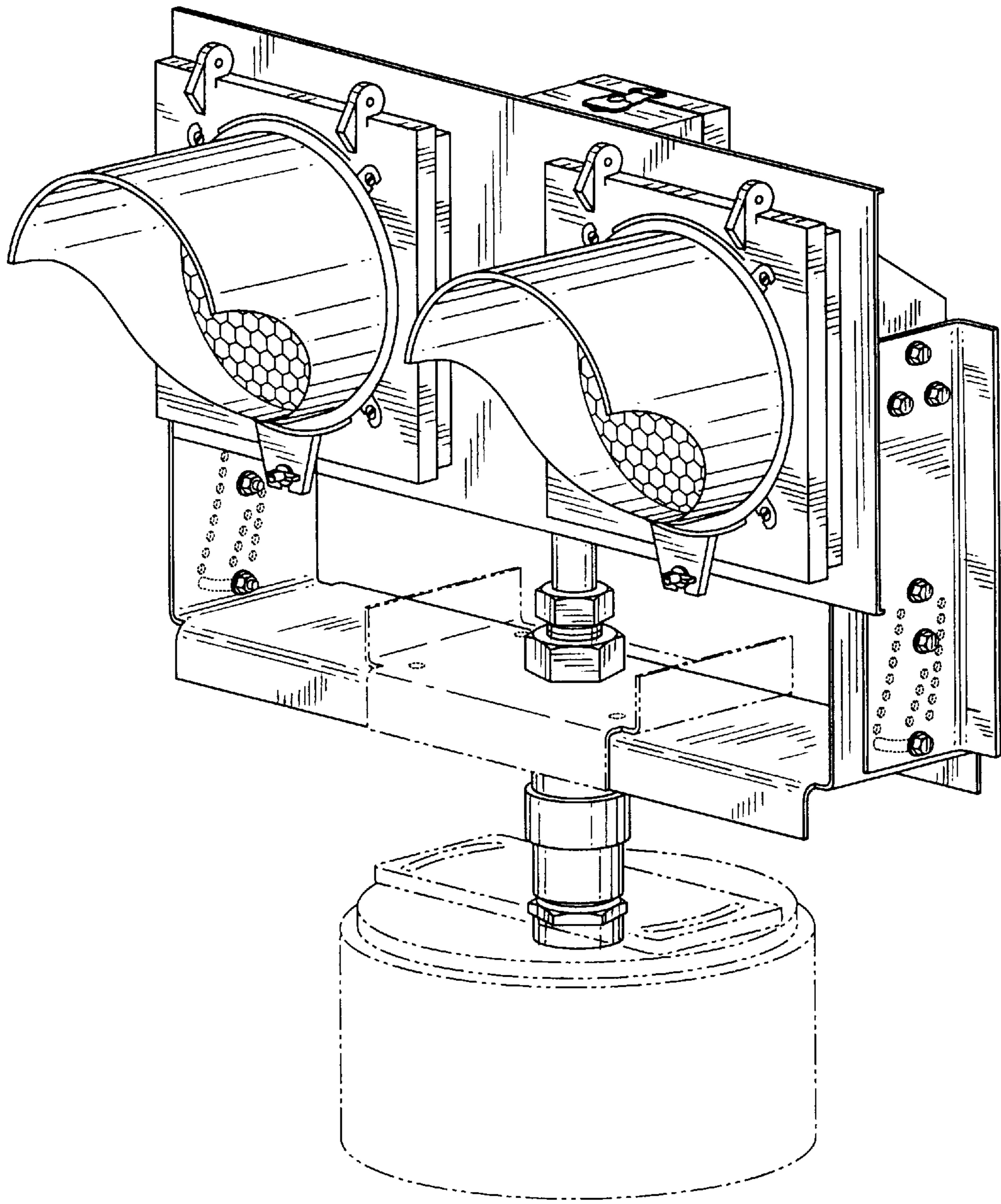


FIG. 1

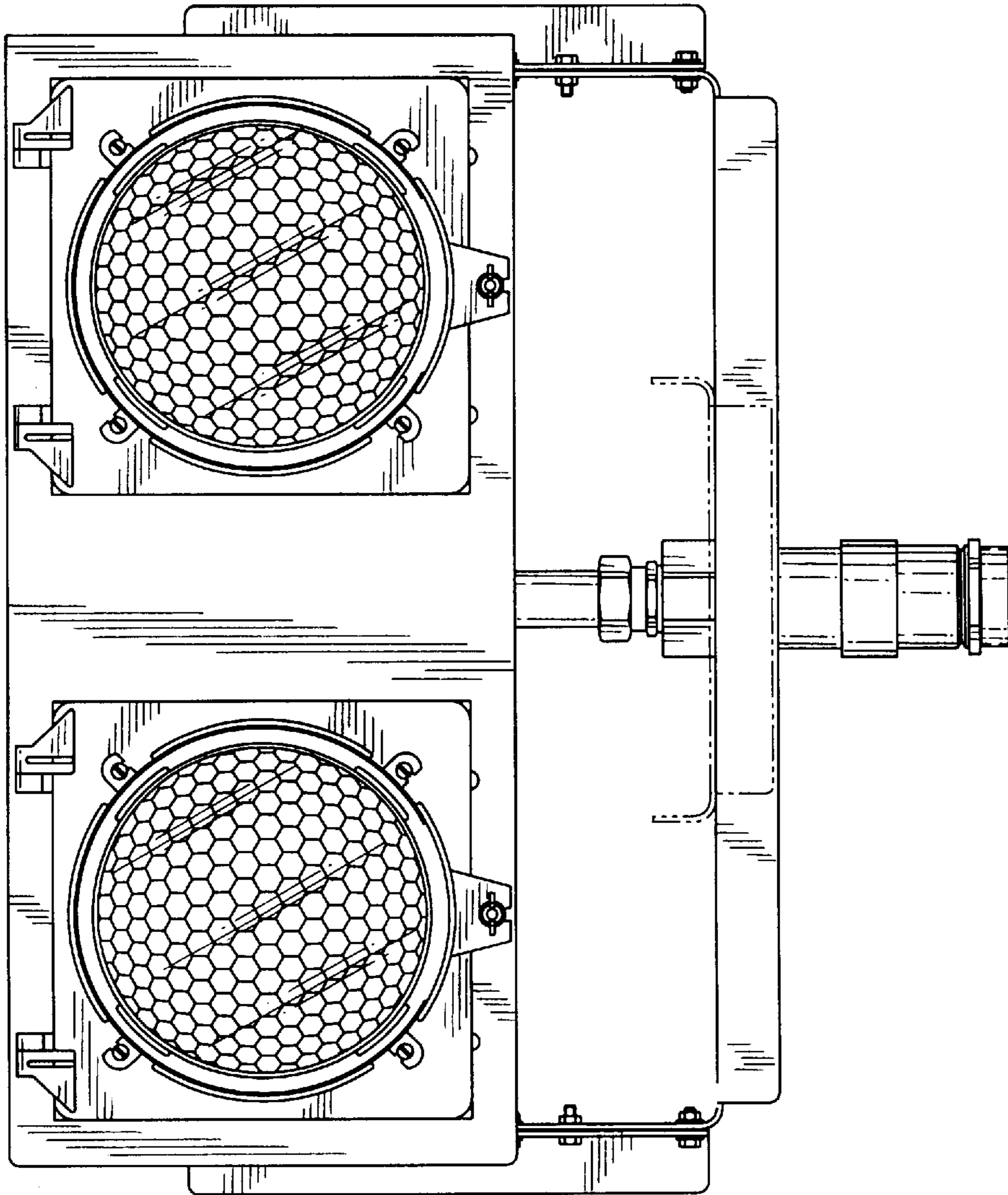


FIG. 2

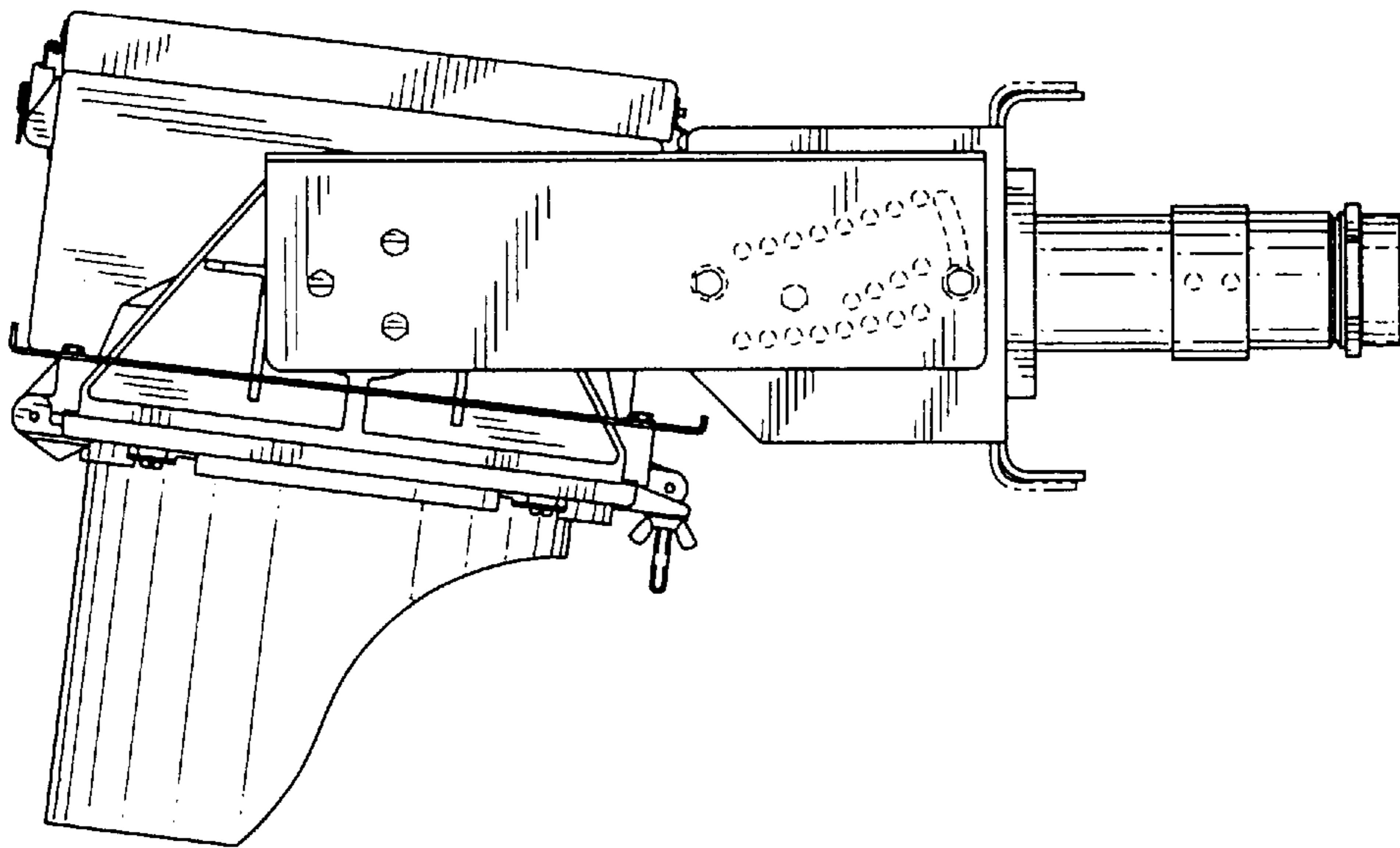


FIG. 3

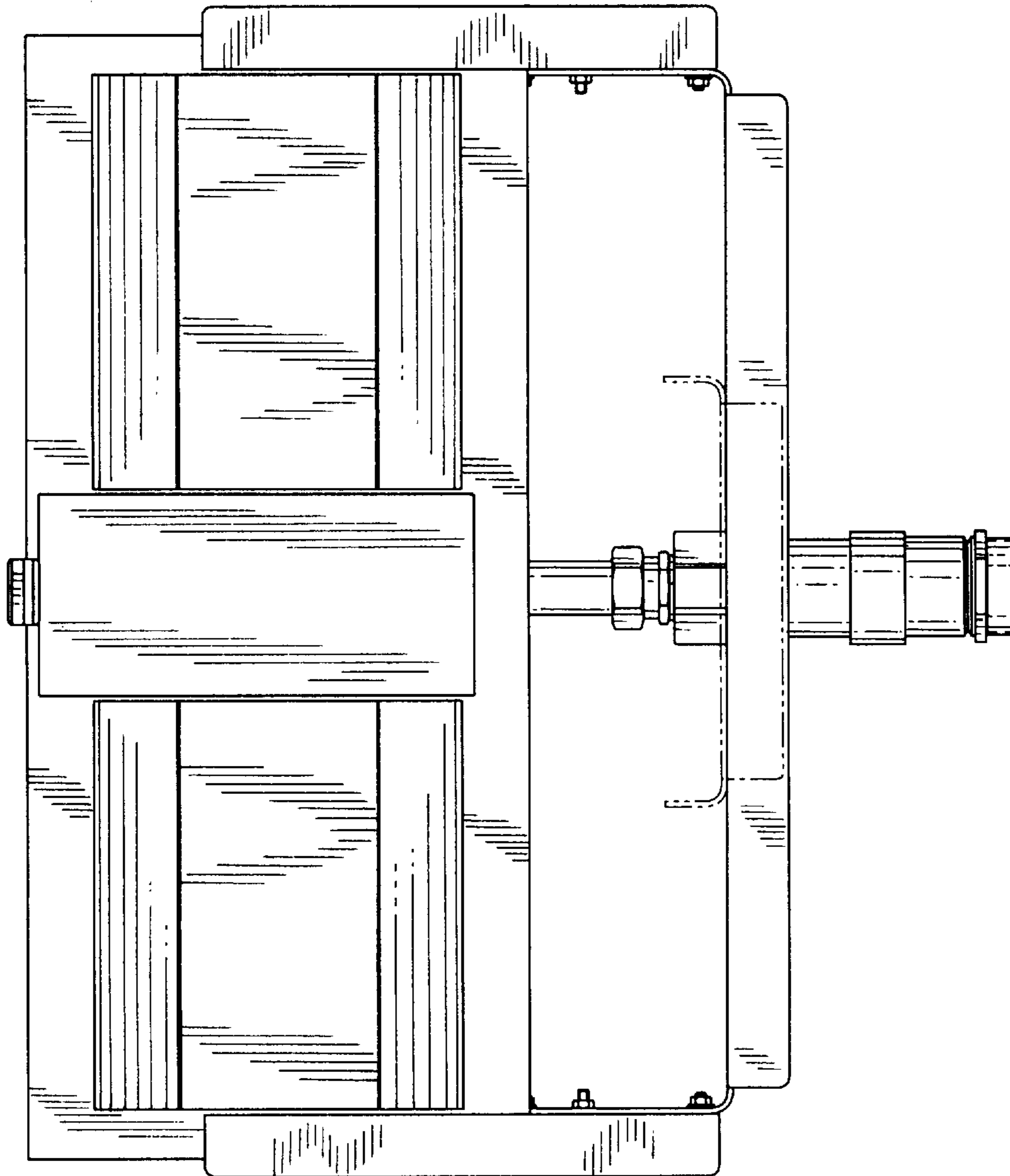


FIG. 4

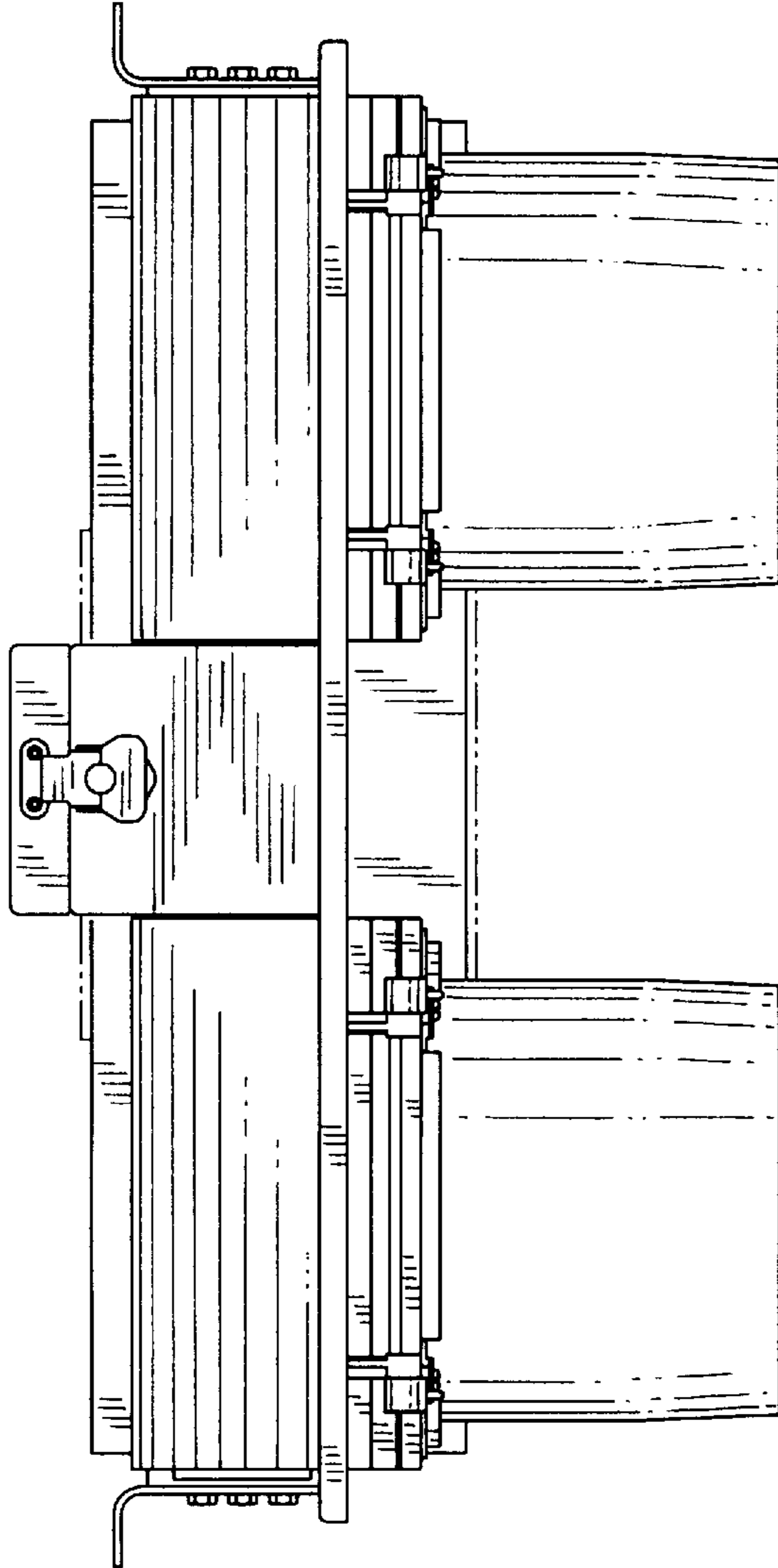


FIG. 5

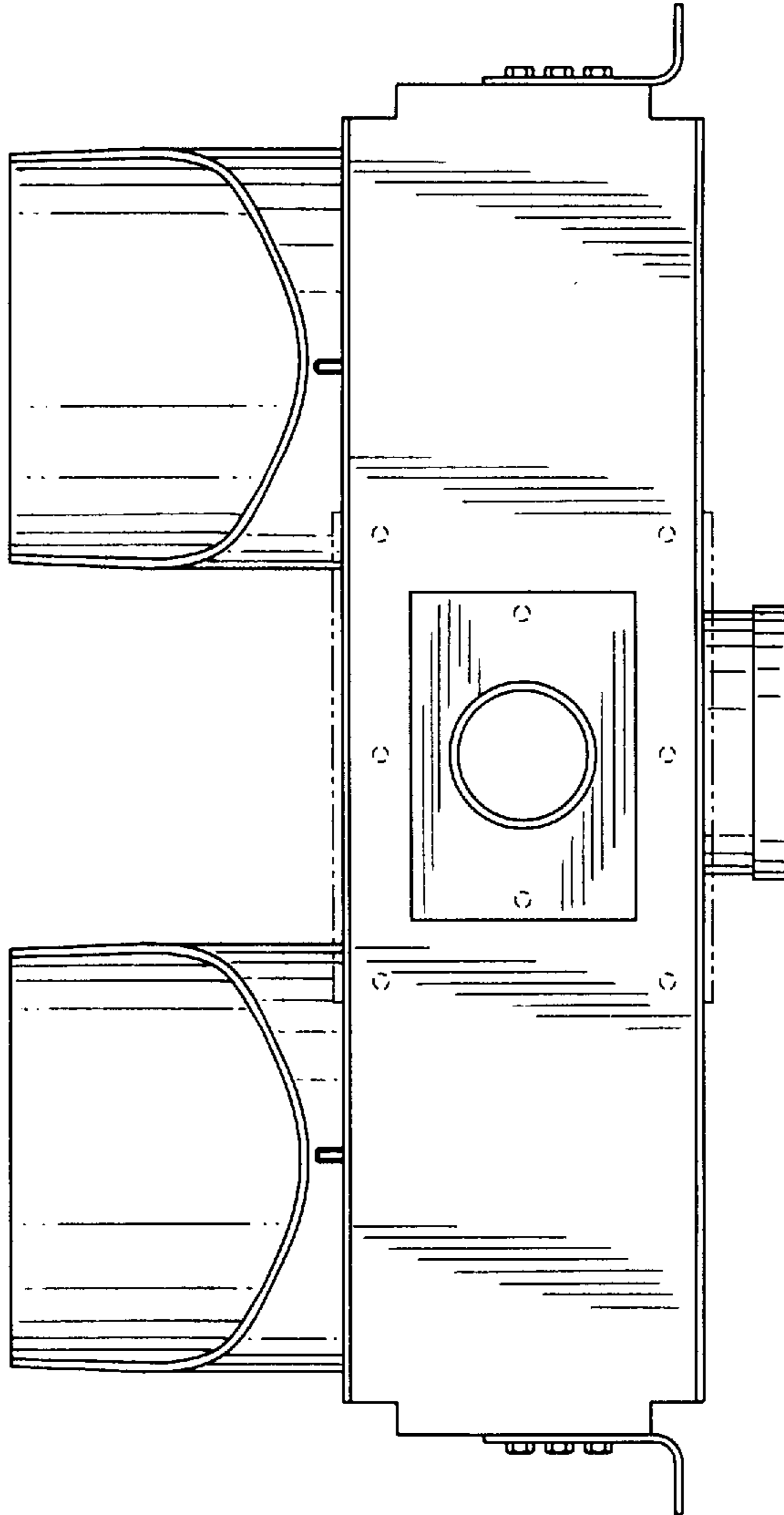


FIG. 6