



US00D403260S

United States Patent [19] Chu

[11] **Patent Number: Des. 403,260**

[45] **Date of Patent: **Dec. 29, 1998**

[54] **ALARM UNIT**

[76] Inventor: **Charles Chu**, 15F-1., No. 170,Sec.2,
Nan Ya Nan Rd., Panchioao City, Taipei
Hsien, Taiwan

[**] Term: **14 Years**

[21] Appl. No.: **85,766**

[22] Filed: **Mar. 30, 1998**

[30] **Foreign Application Priority Data**

Nov. 17, 1997 [TW] Taiwan 86309857

[51] **LOC (6) Cl.** **10-05**

[52] **U.S. Cl.** **D10/106**

[58] **Field of Search** D10/104, 106,
D10/116, 120, 121; 340/384.1, 384.3, 384.7,
388.1, 390.1, 391.1, 391.2, 392.2, 392.4,
571, 572, 573

[56] **References Cited**

U.S. PATENT DOCUMENTS

D. 283,684 5/1986 Francis D10/106

D. 297,918 10/1988 Kamada D10/106
D. 308,177 5/1990 Parker et al. D10/106
D. 391,512 3/1998 Chu D10/106

Primary Examiner—Marcus A. Jackson
Attorney, Agent, or Firm—Bacon & Thomas

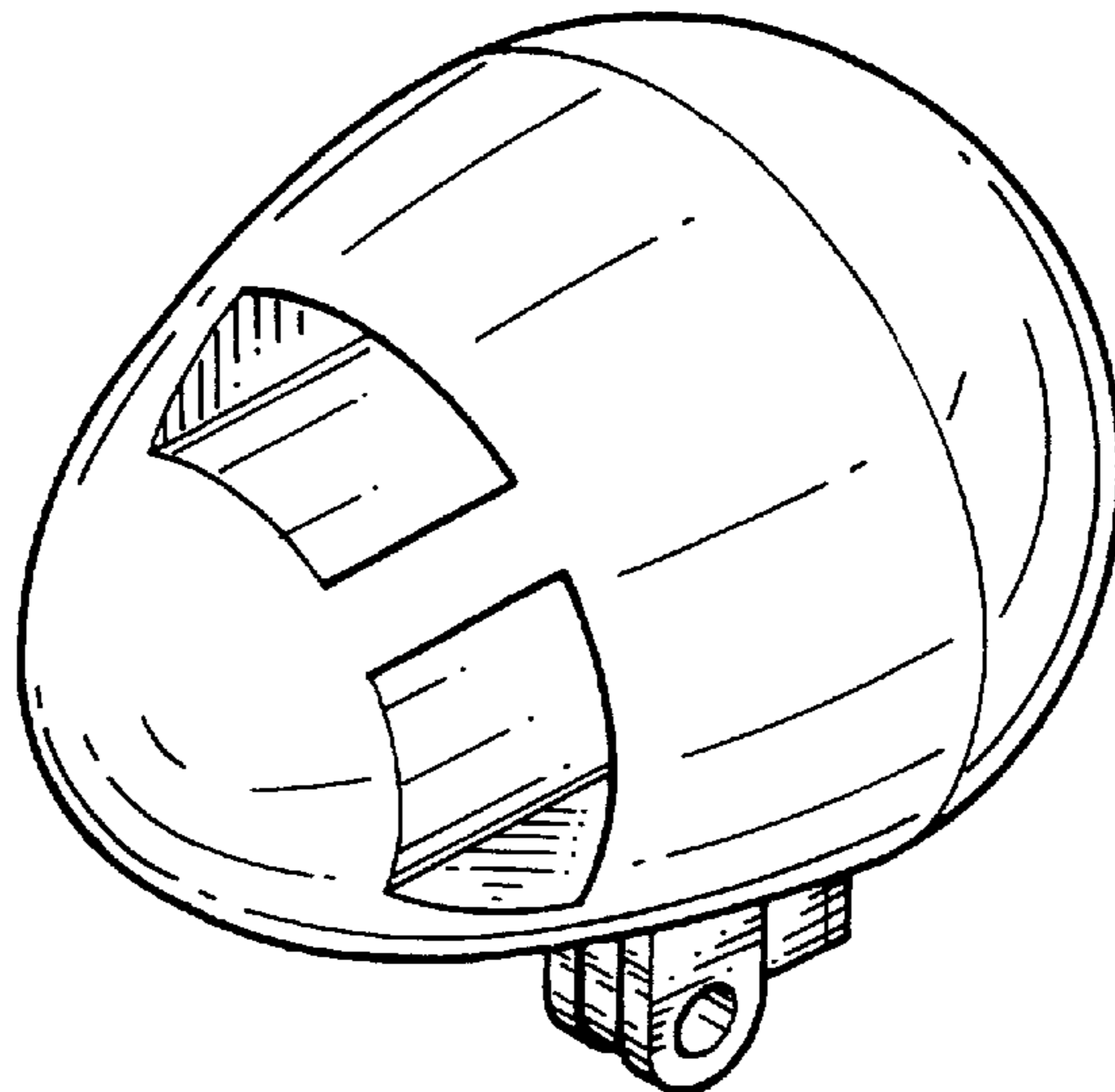
[57] **CLAIM**

The ornamental design for an alarm unit, as shown and described.

DESCRIPTION

FIG. 1 is the perspective view of an alarm unit showing my new design;
FIG. 2 is the front elevational view thereof;
FIG. 3 is the rear elevational view thereof;
FIG. 4 is the left side elevational view thereof;
FIG. 5 is the right side elevational view thereof;
FIG. 6 is the top plan view thereof; and,
FIG. 7 is the bottom plan view thereof.
FIG. 8 is a perspective view of a second embodiment thereof, wherein the only difference exist in the addition of a mounting bracket.

1 Claim, 5 Drawing Sheets



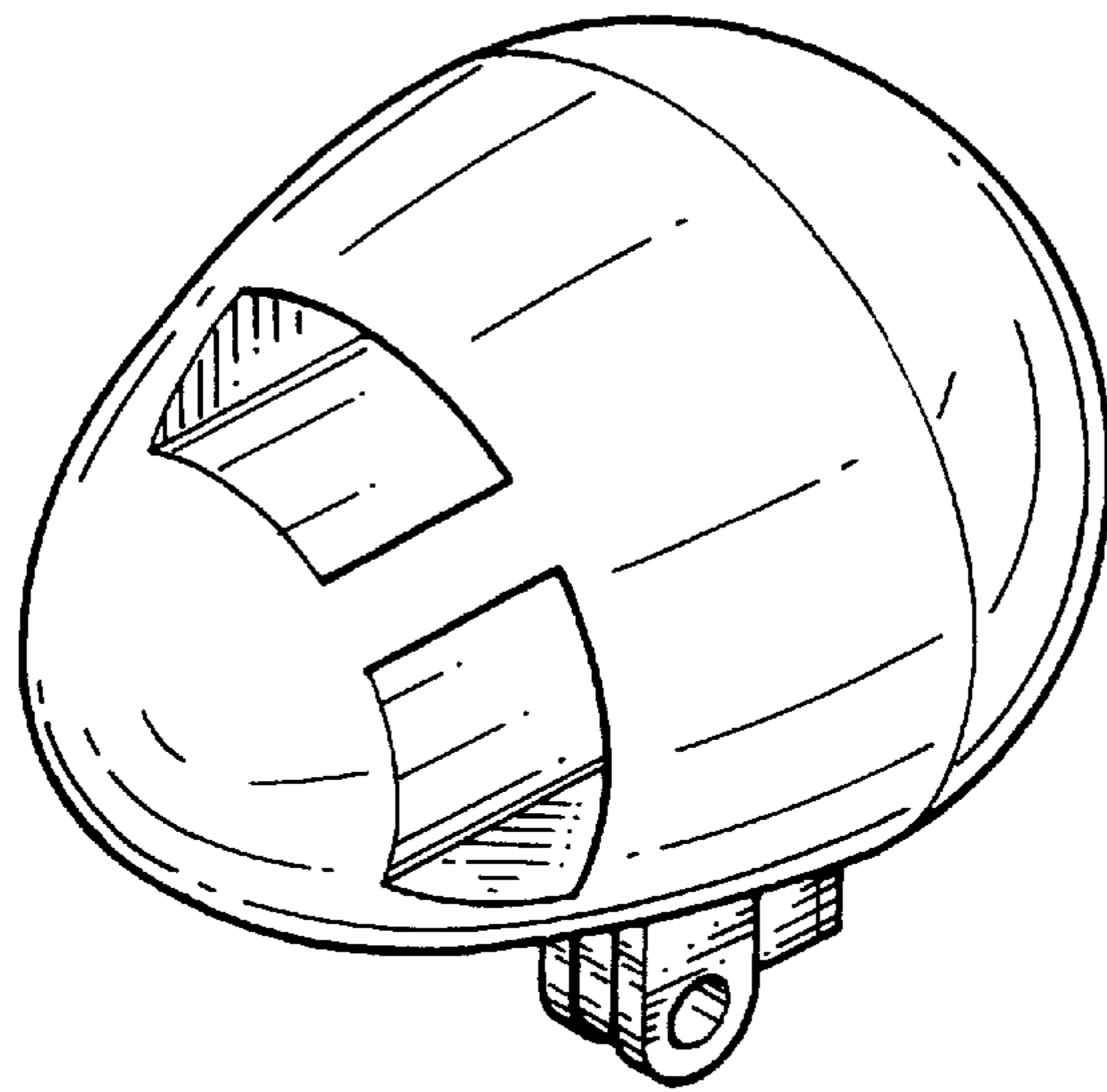


FIG. 1

FIG. 3

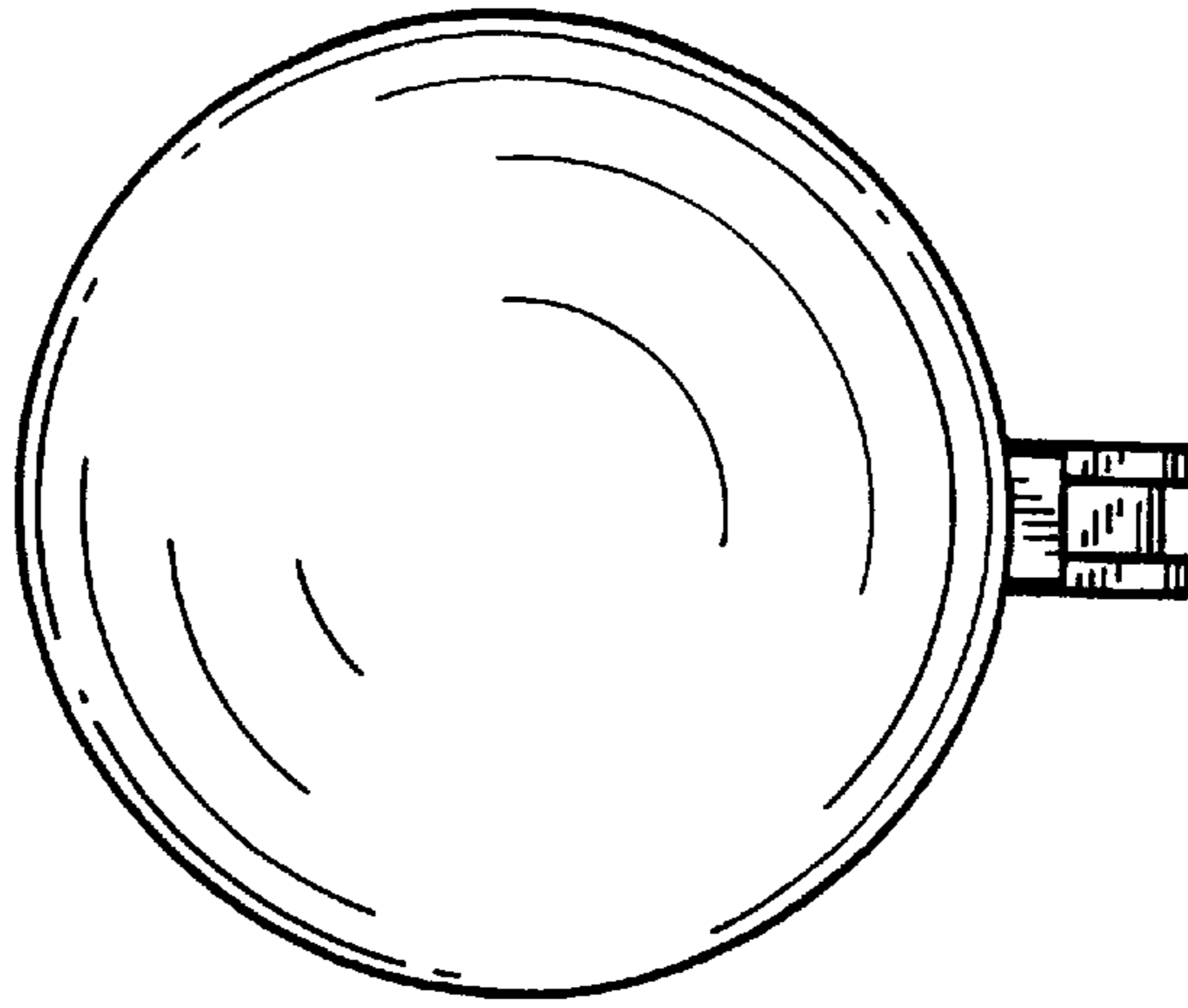


FIG. 2

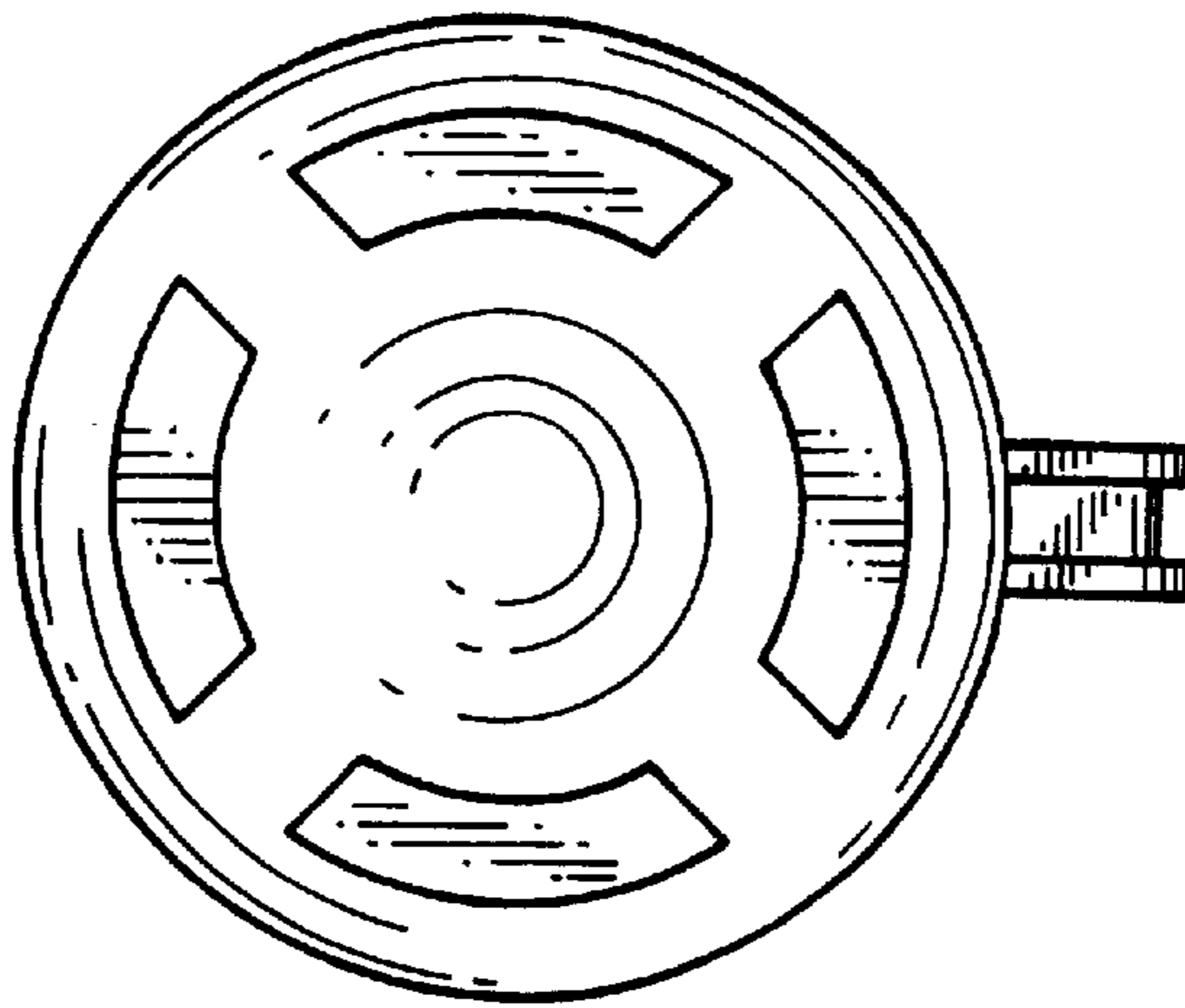


FIG. 5

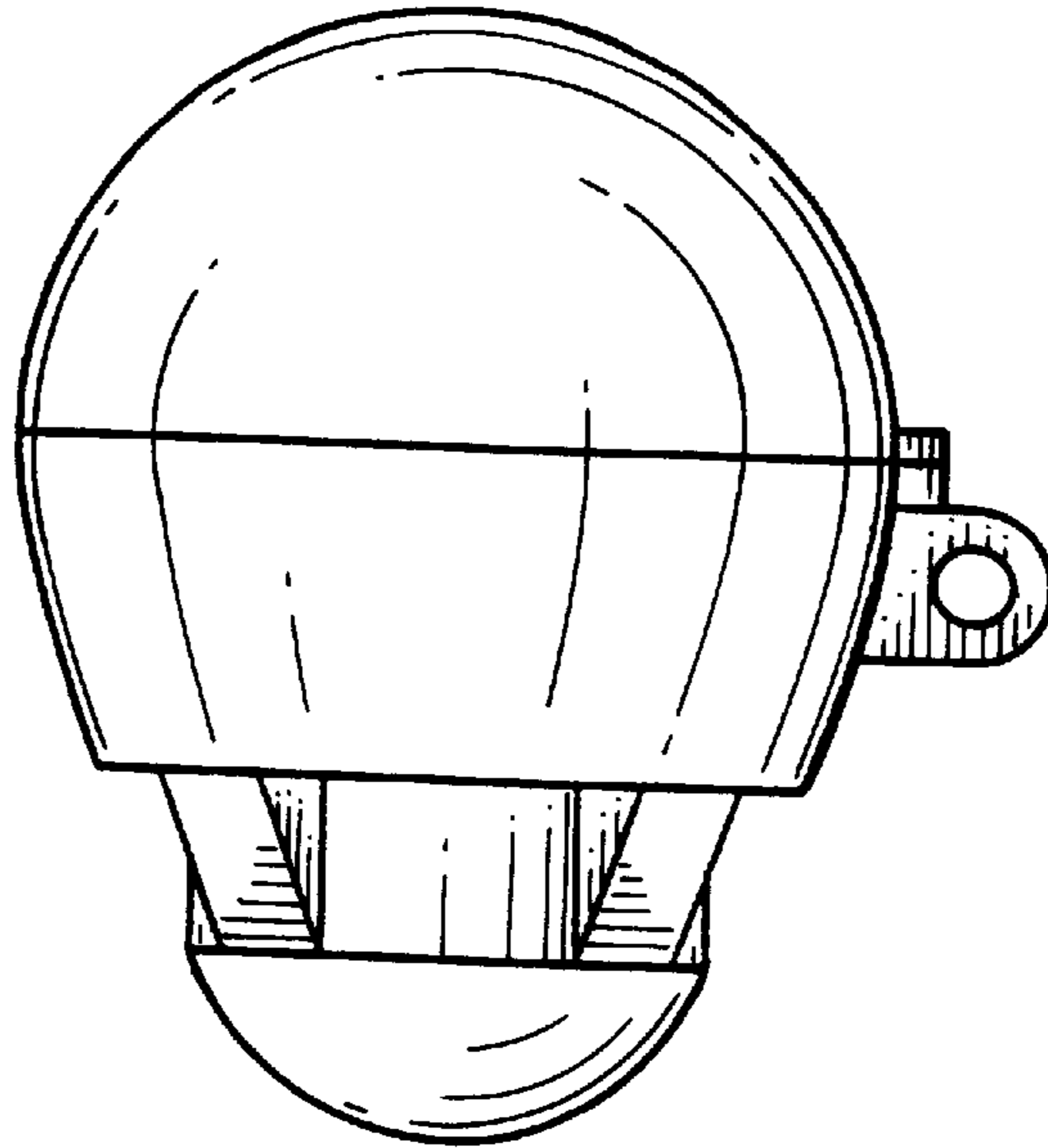


FIG. 4

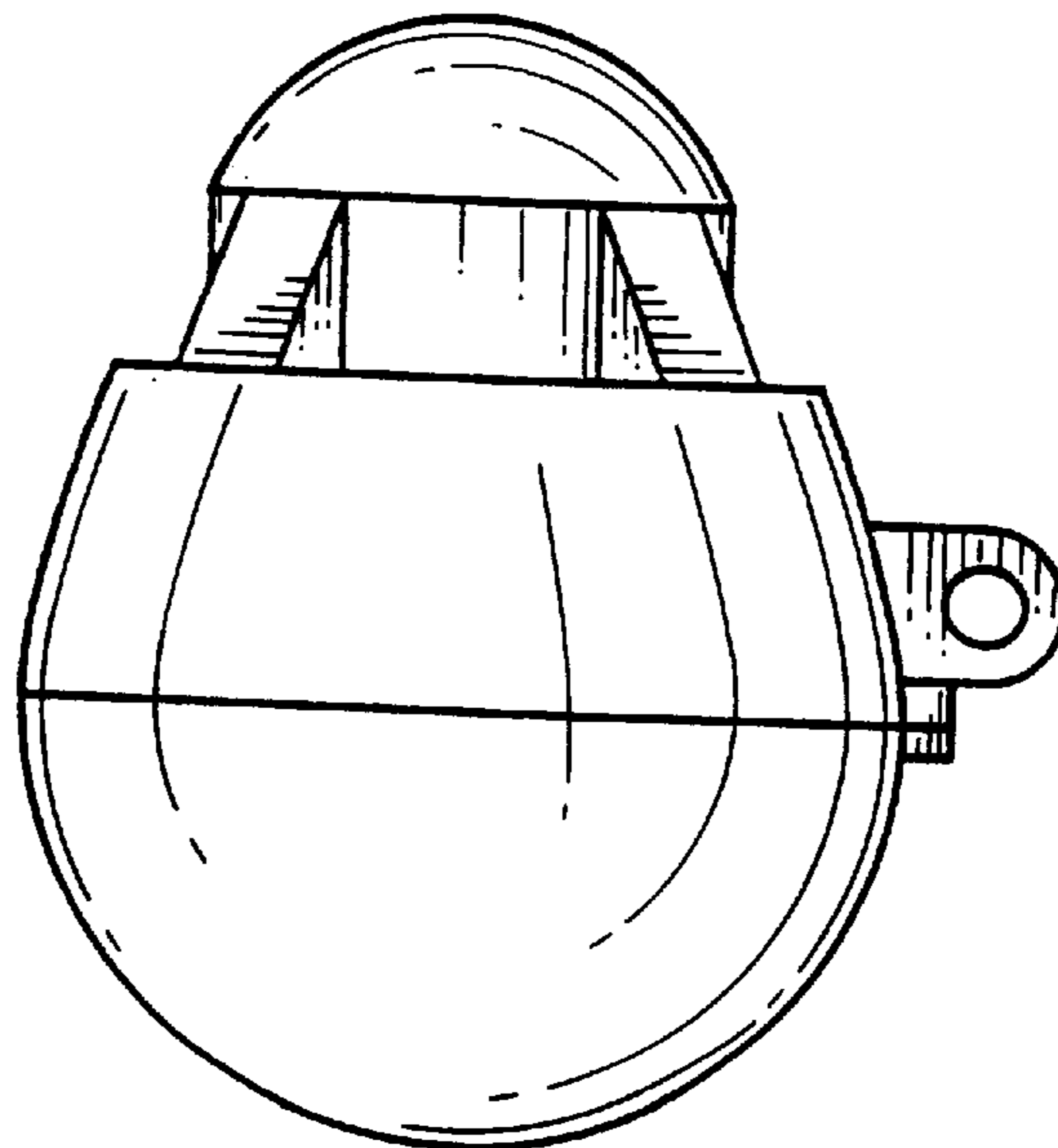


FIG. 7

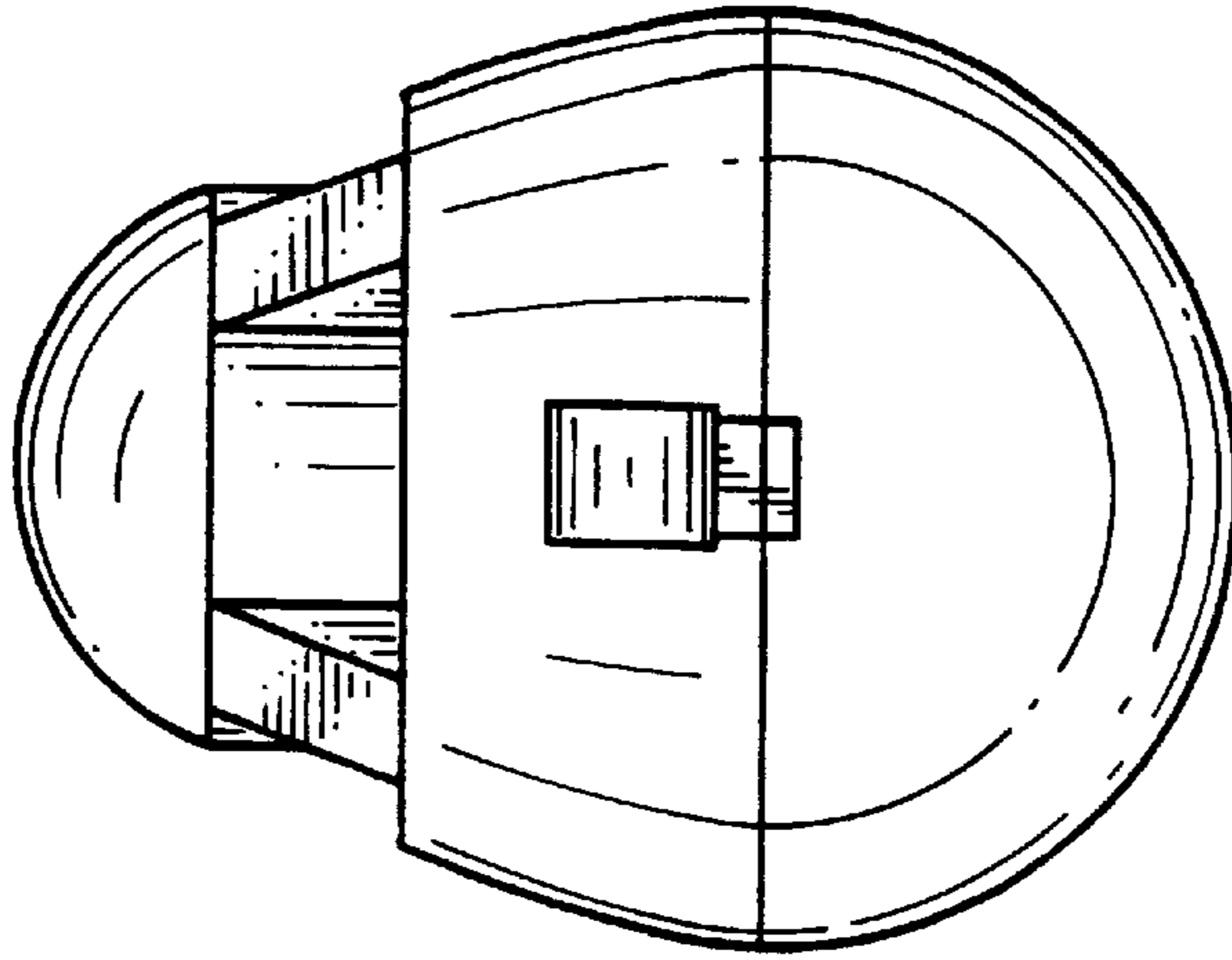
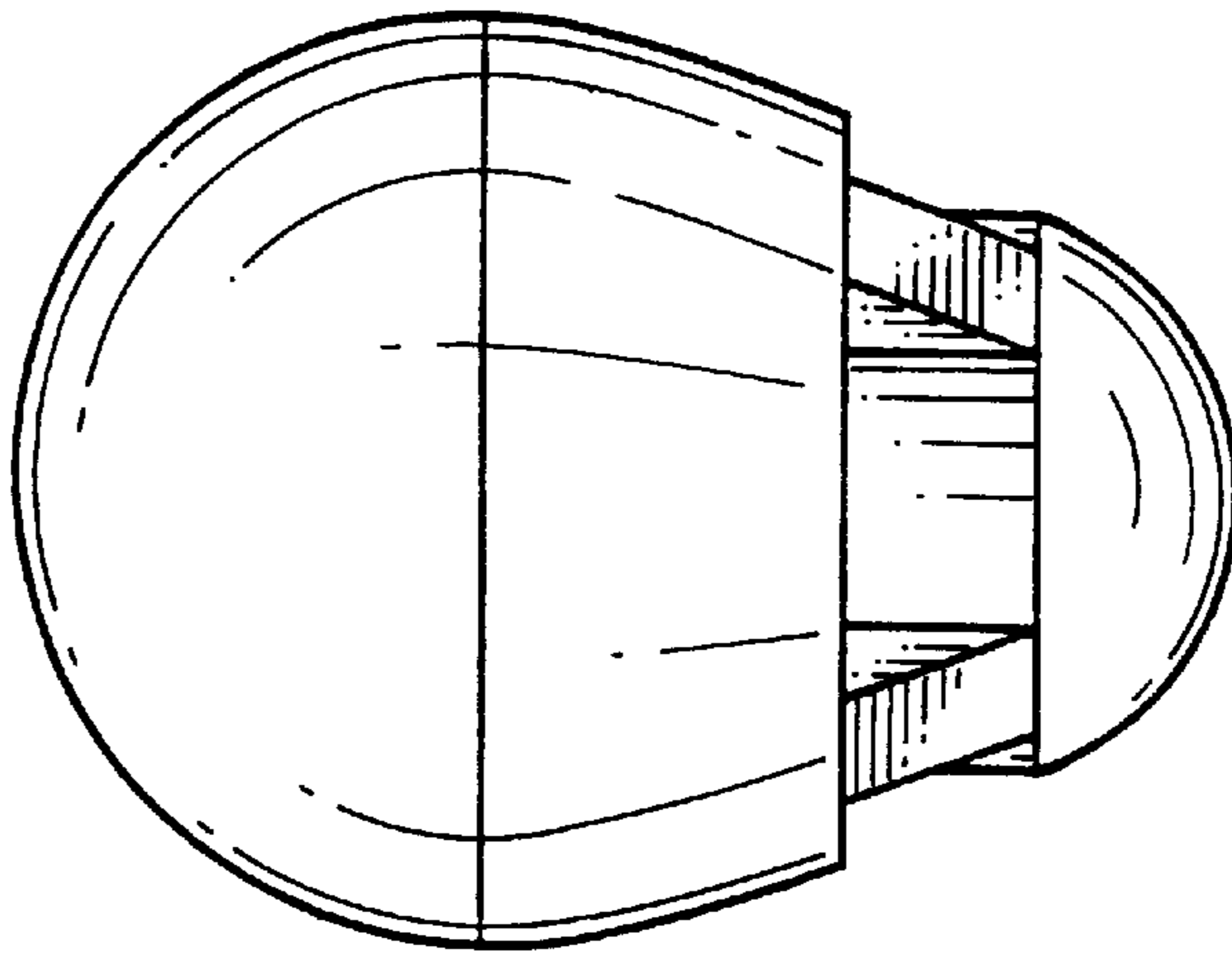


FIG. 6



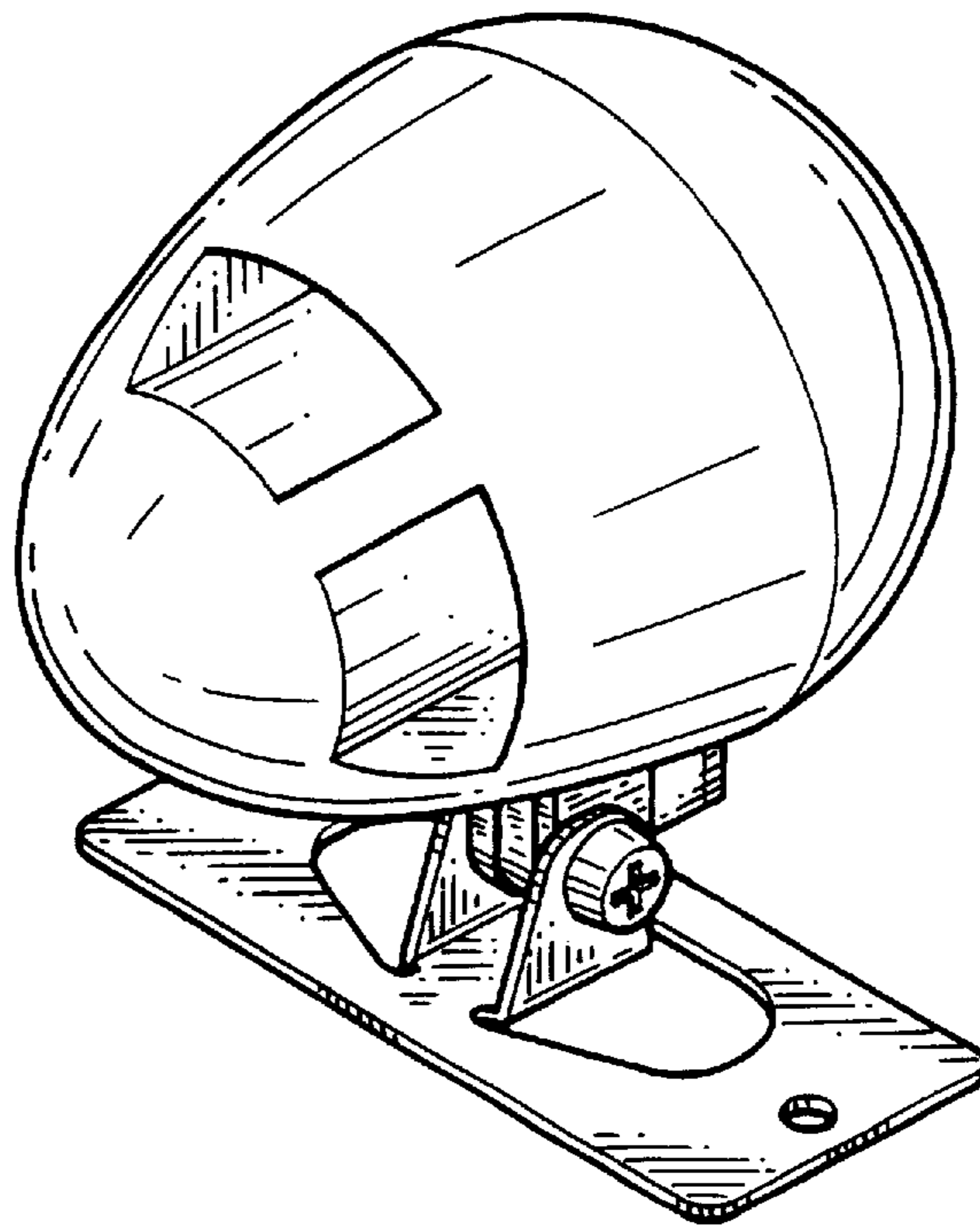


FIG. 8