



US00D403259S

# United States Patent [19]

Tsubota et al.

[11] Patent Number: **Des. 403,259**

[45] Date of Patent: **\*\*Dec. 29, 1998**

[54] **COLORIMETER**

[75] Inventors: **Yoshitami Tsubota; Sadatoshi Takechi; Katsufumi Isshiki; Takeshi Fukumura**, all of Matsuyama; **Tomisada Kubota**, Tokyo, all of Japan

[73] Assignee: **Miura Co., Ltd.**, Ehime-ken, Japan

[\*\*] Term: **14 Years**

[21] Appl. No.: **80,245**

[22] Filed: **Dec. 5, 1997**

[30] **Foreign Application Priority Data**

Jun. 6, 1997 [JP] Japan ..... 9-57064

[51] **LOC (6) Cl.** ..... **10-04**

[52] **U.S. Cl.** ..... **D10/81; D10/78**

[58] **Field of Search** ..... **D10/46, 78, 81; 356/402-411, 412-422, 432-435**

D. 360,840	8/1995	Brockway et al. .	
3,927,955	12/1975	Spinosa et al. .	
4,187,057	2/1980	Xanthopoulos .	
4,256,437	3/1981	Brown .	
4,303,376	12/1981	Siekman .	
4,537,561	8/1985	Xanthopoulos .	
4,886,431	12/1989	Soderquist et al. .	
5,082,429	1/1992	Soderquist et al. .	
5,083,868	1/1992	Anderson .....	356/402
5,213,483	5/1993	Flaherty et al. .	
5,257,917	11/1993	Minarik et al. .	
5,380,173	1/1995	Hellstrom .	
5,691,817	11/1997	Corgill et al. ....	356/405

*Primary Examiner*—Antoine Duval Davis  
*Attorney, Agent, or Firm*—Birch, Stewart, Kolasch & Birch, LLP

[57] **CLAIM**

The ornamental design for a colorimeter, as shown and described.

**DESCRIPTION**

FIG. 1 is a front perspective view from the left side of a colorimeter showing our new design; FIG. 2 is a rear perspective view thereof; and, FIG. 3 is a front left perspective view thereof with the reagent cartridge illustrated in a removed condition.

**1 Claim, 3 Drawing Sheets**

[56] **References Cited**

**U.S. PATENT DOCUMENTS**

D. 333,992	3/1993	Anderson .
D. 336,444	6/1993	Anderson et al. .
D. 354,921	1/1995	Narayanan .
D. 357,876	5/1995	McConnell .

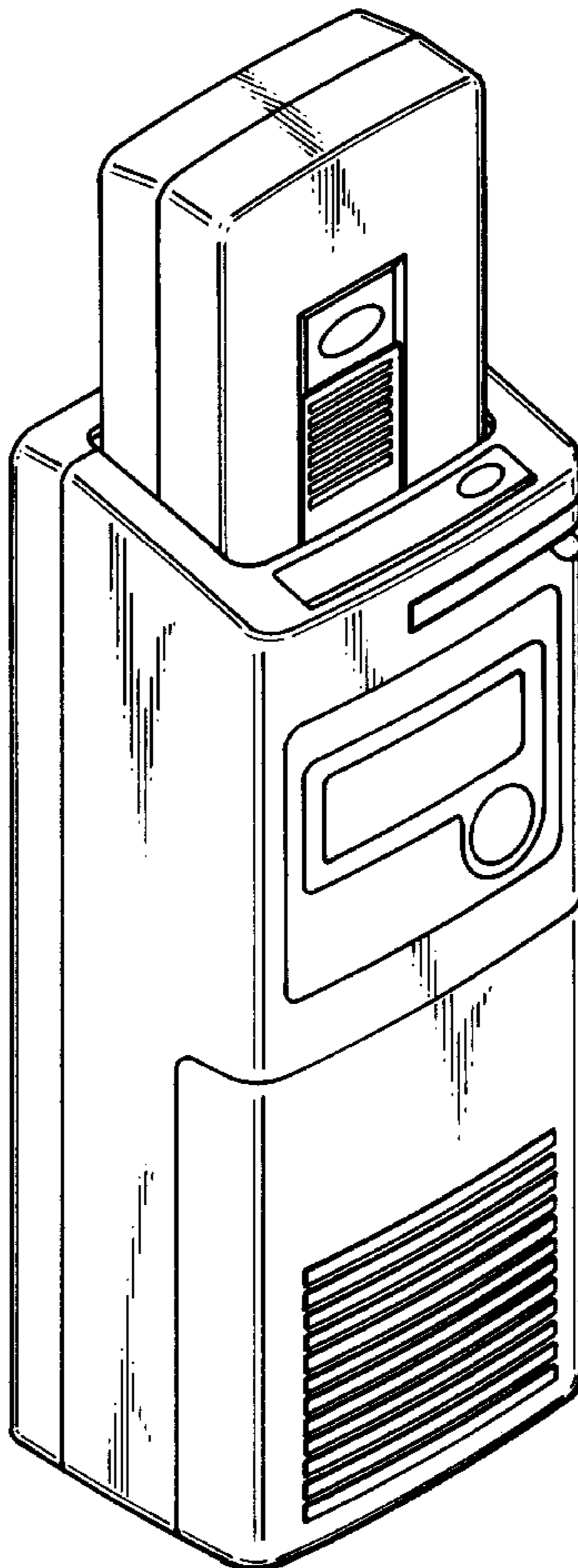


FIG. 1

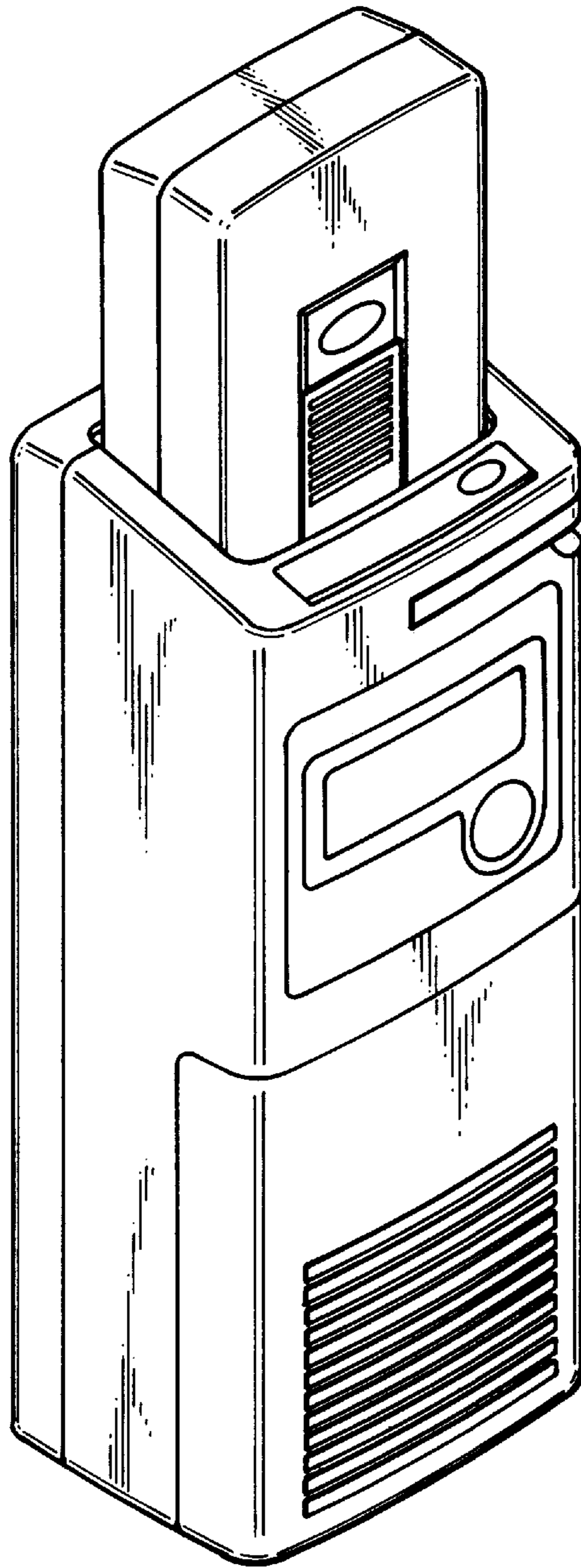


FIG. 2

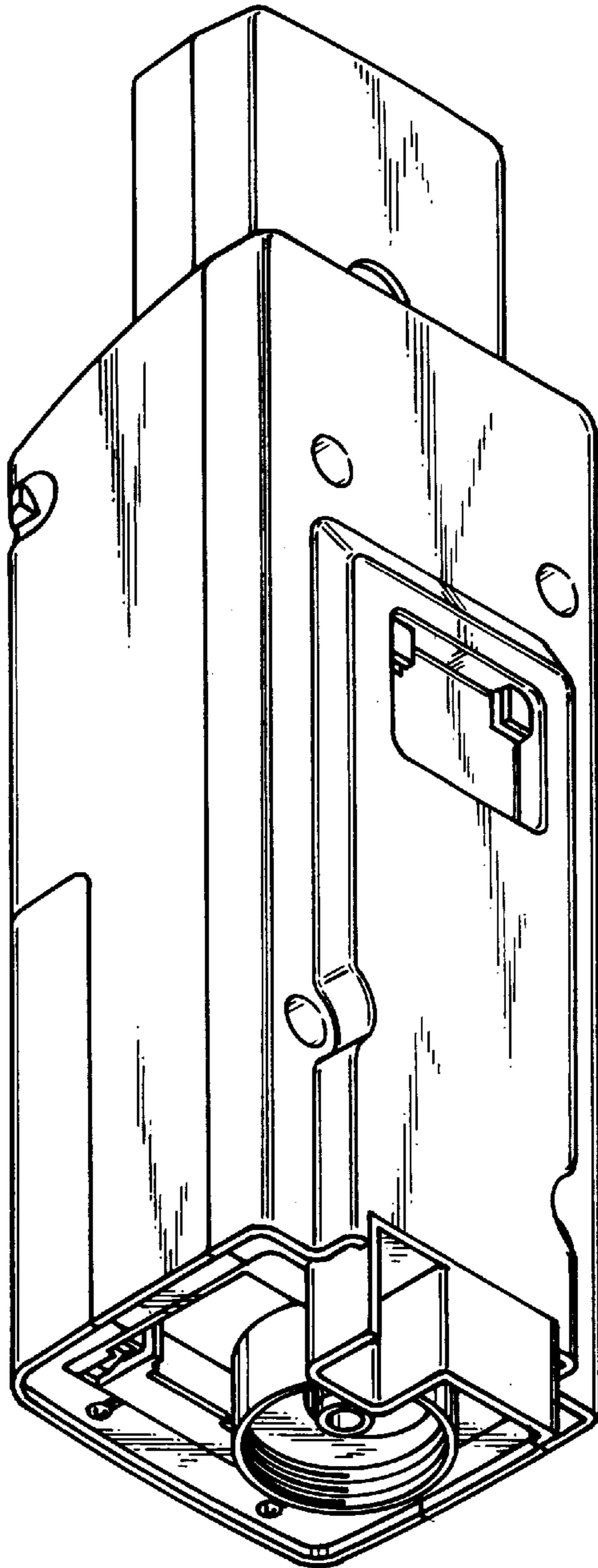


FIG. 3

