



US00D403258S

United States Patent [19]
Bearden

[11] **Patent Number: Des. 403,258**

[45] **Date of Patent: **Dec. 29, 1998**

[54] **MEASURING TAPE**

[76] **Inventor: Delbert Bearden, 992 McClelland St., Salt Lake City, Utah 84105**

[**] **Term: 14 Years**

[21] **Appl. No.: 85,249**

[22] **Filed: Mar. 19, 1998**

[51] **LOC (6) Cl. 10-04**

[52] **U.S. Cl. D10/72**

[58] **Field of Search D10/72; 33/756-772; 242/292, 381.4, 381.6**

[56] **References Cited**

U.S. PATENT DOCUMENTS

- D. 318,815 8/1991 Chapin D10/72
- D. 364,575 11/1995 Goldner D10/72

Primary Examiner—Antoine Duval Davis

[57] **CLAIM**

The ornamental design for a measuring tape, as shown.

DESCRIPTION

FIG. 1 is a left side elevational view of the measuring tape of the present invention;

FIG. 2 is a right side elevational view of the measuring tape of FIG. 1;

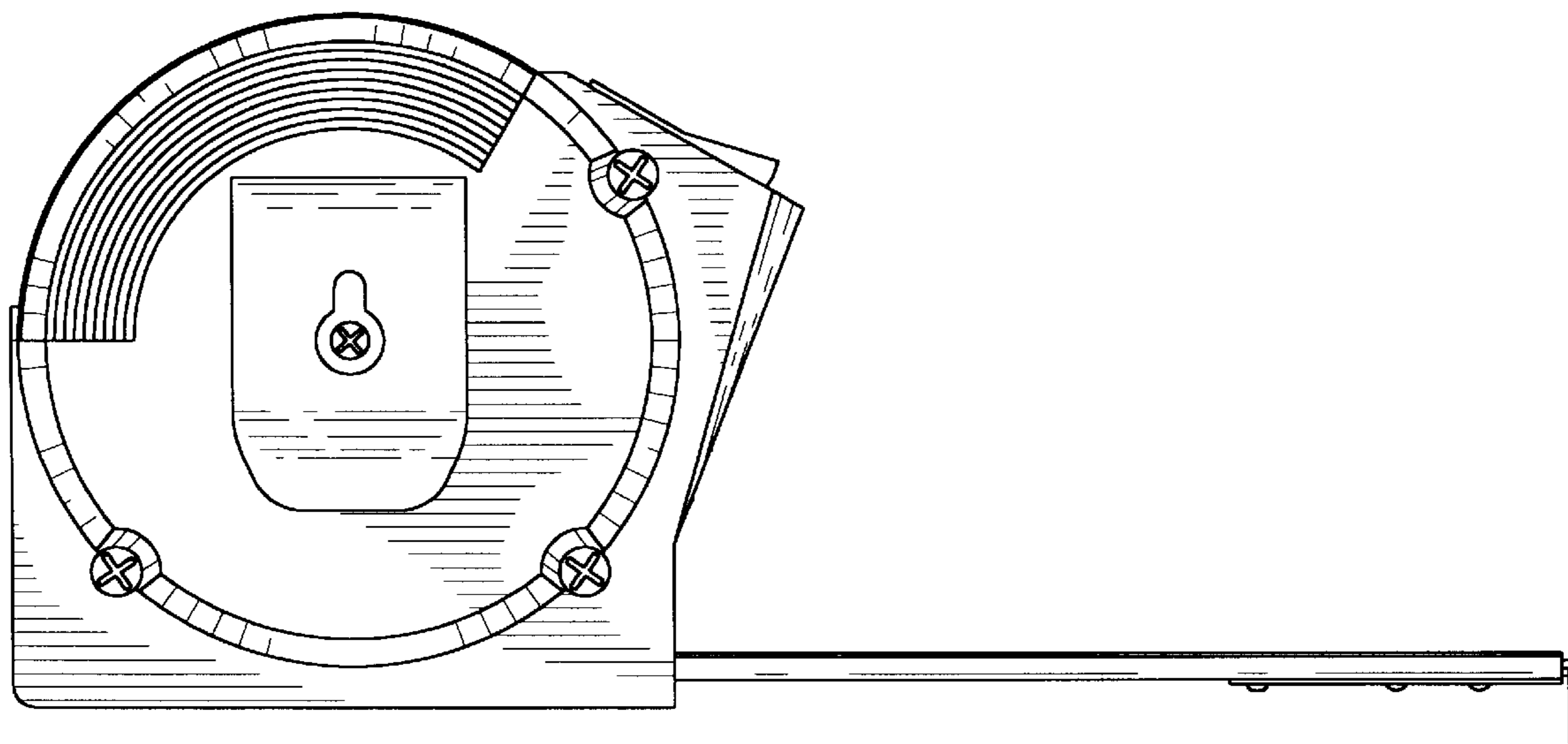
FIG. 3 is a front elevational view of the measuring tape of FIG. 1;

FIG. 4 is a back elevational view of the measuring tape of FIG. 1;

FIG. 5 is a top plan view of the measuring tape of FIG. 1; FIG. 6 is a bottom plan view of the measuring tape of FIG. 1; and,

FIG. 7 is a top plan view of a portion of the tape contained within the measuring tape of FIG. 1.

1 Claim, 3 Drawing Sheets



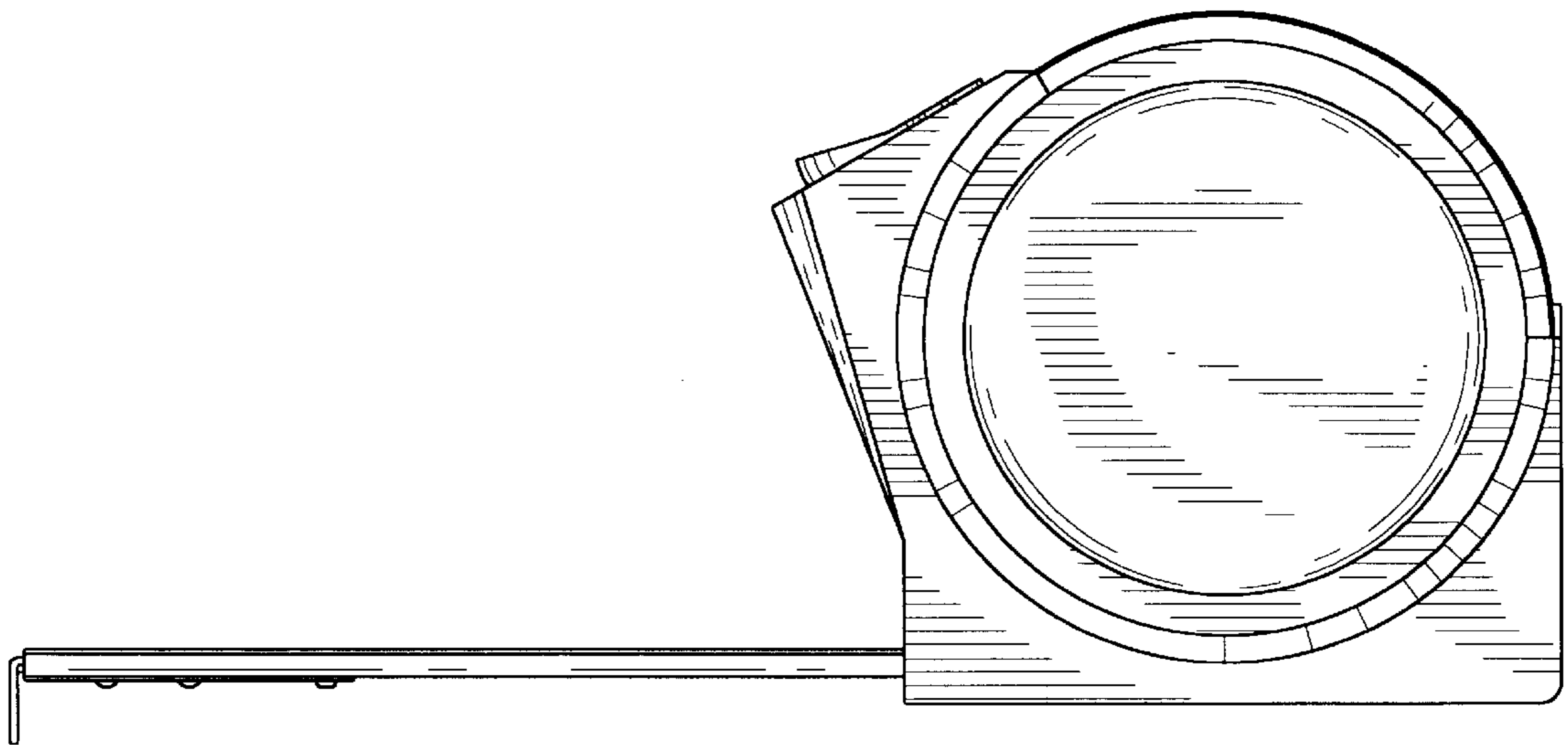


Fig. 2

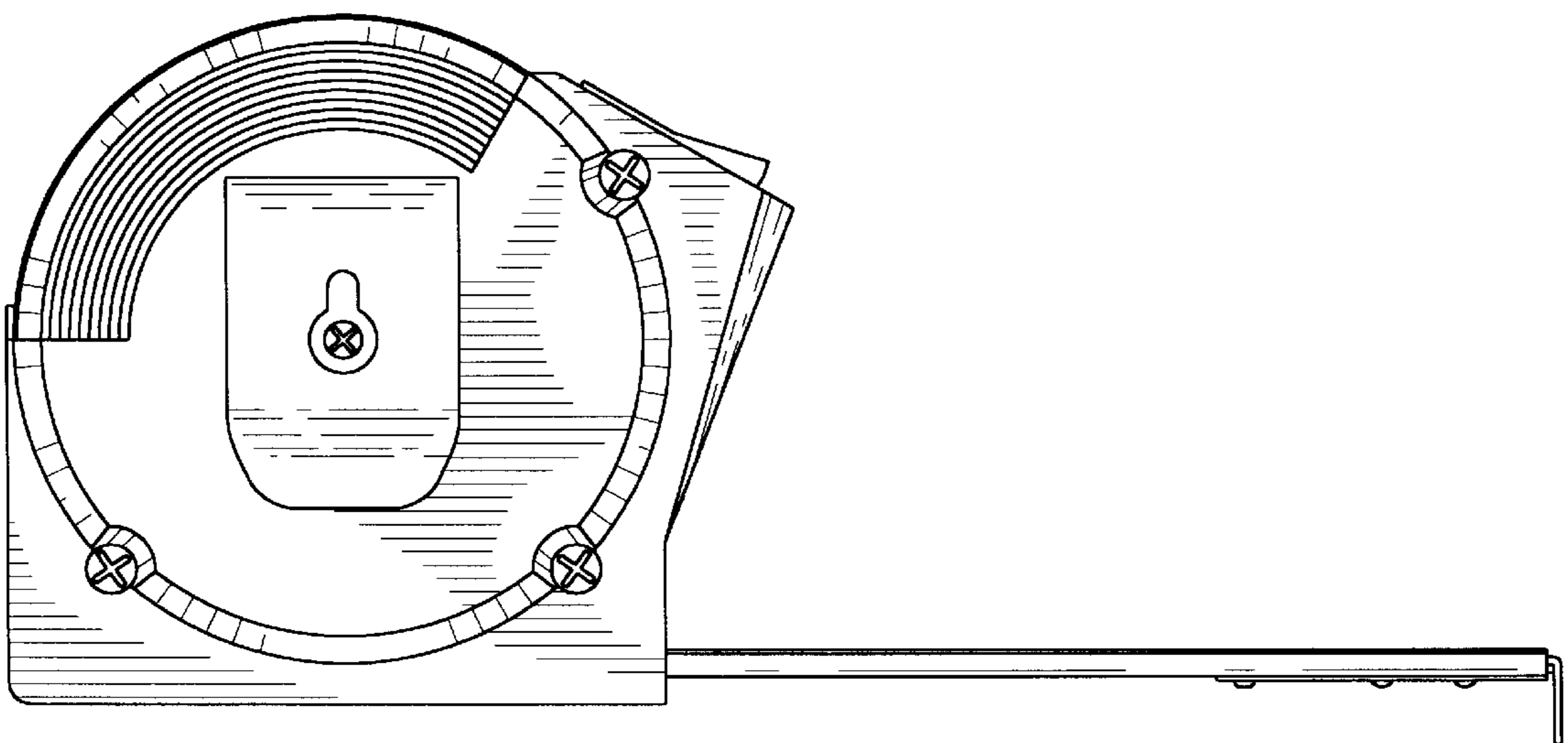


Fig. 1

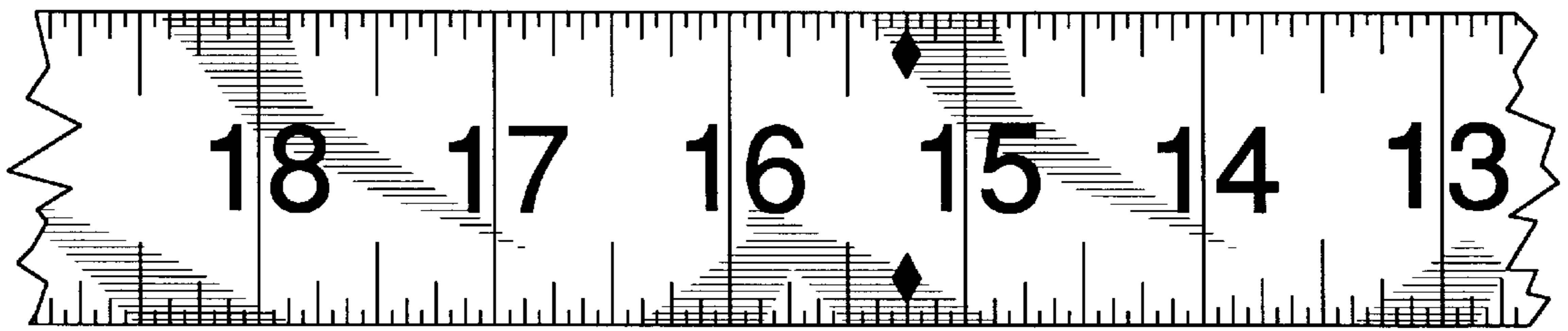


Fig. 7

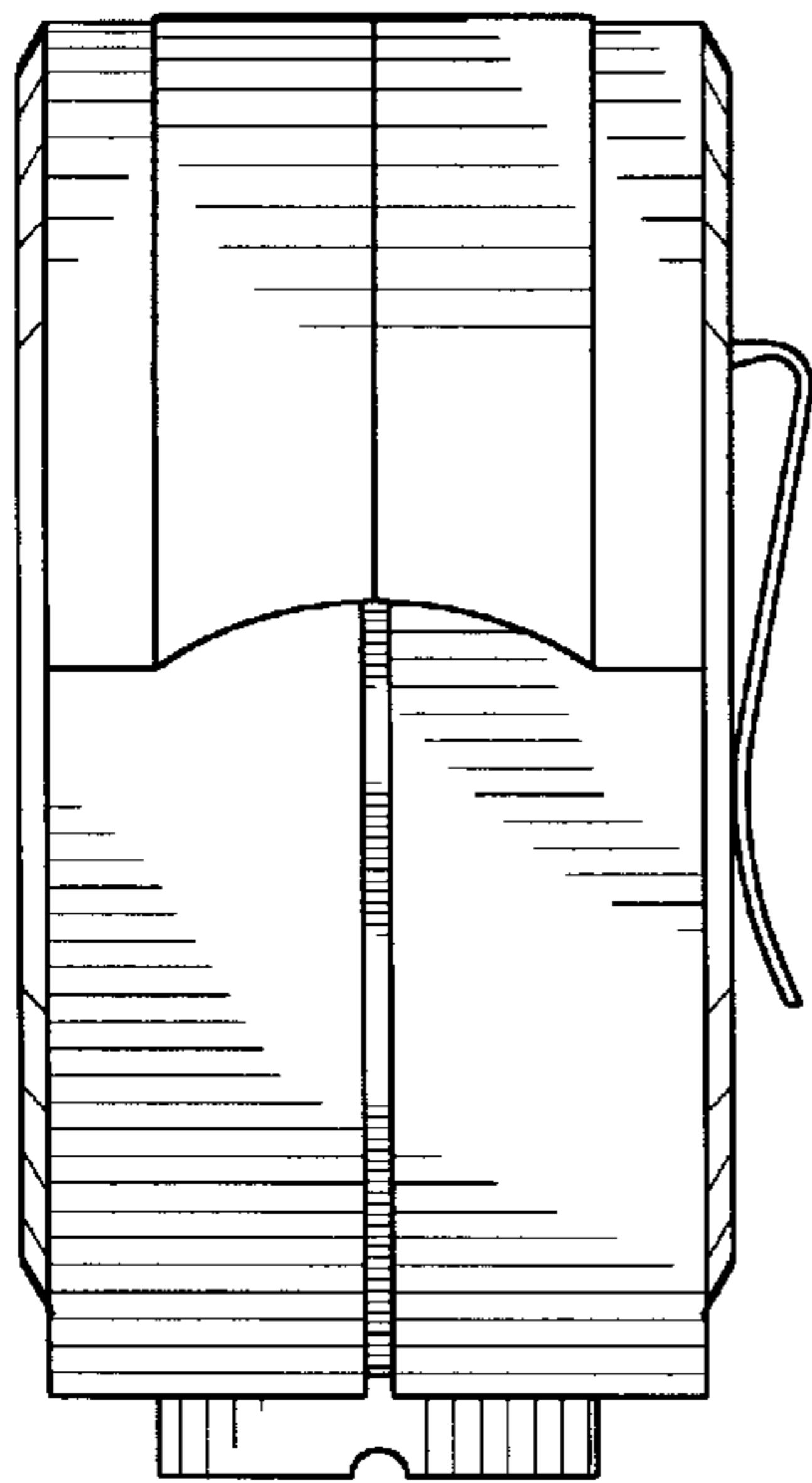


Fig. 3

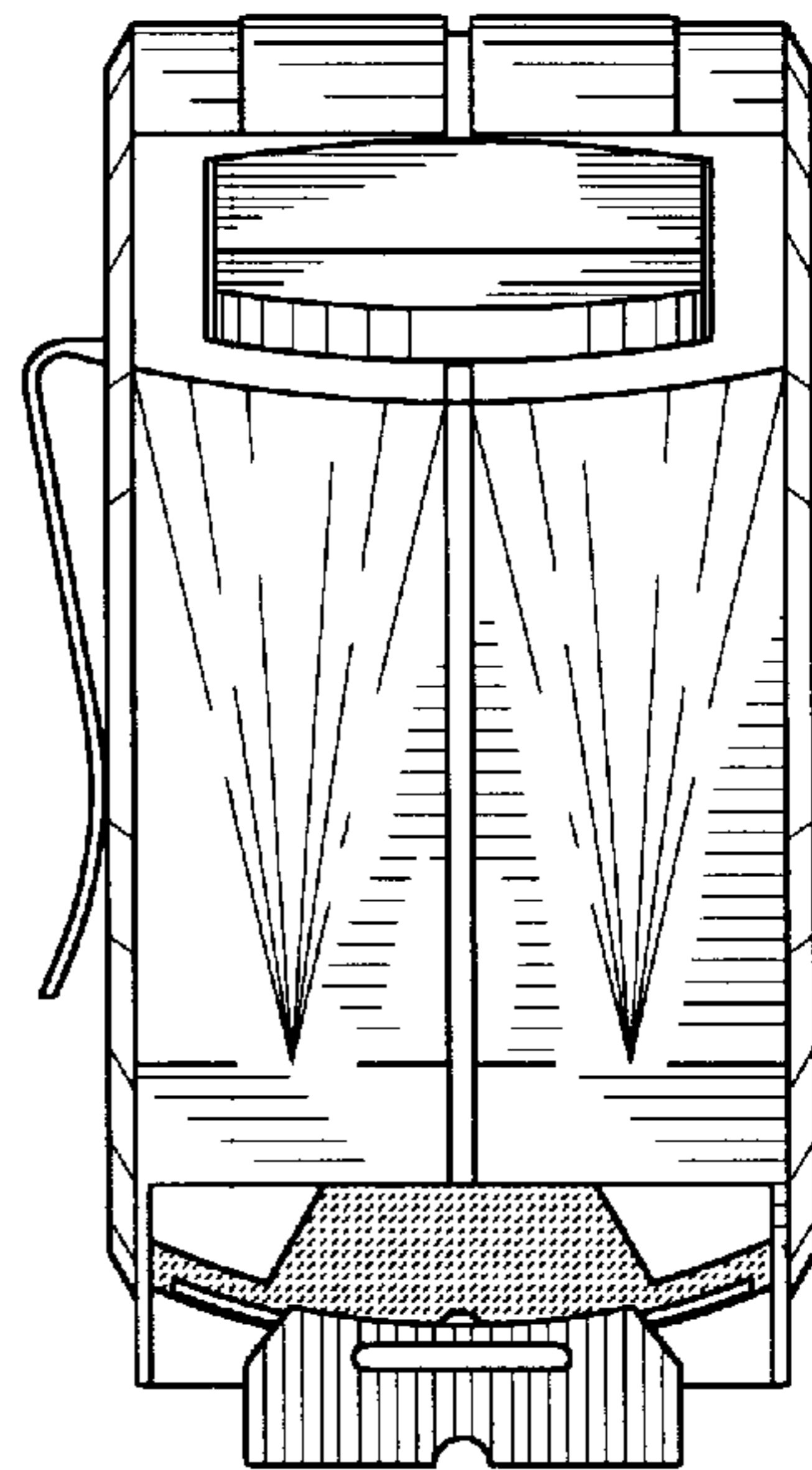


Fig. 4

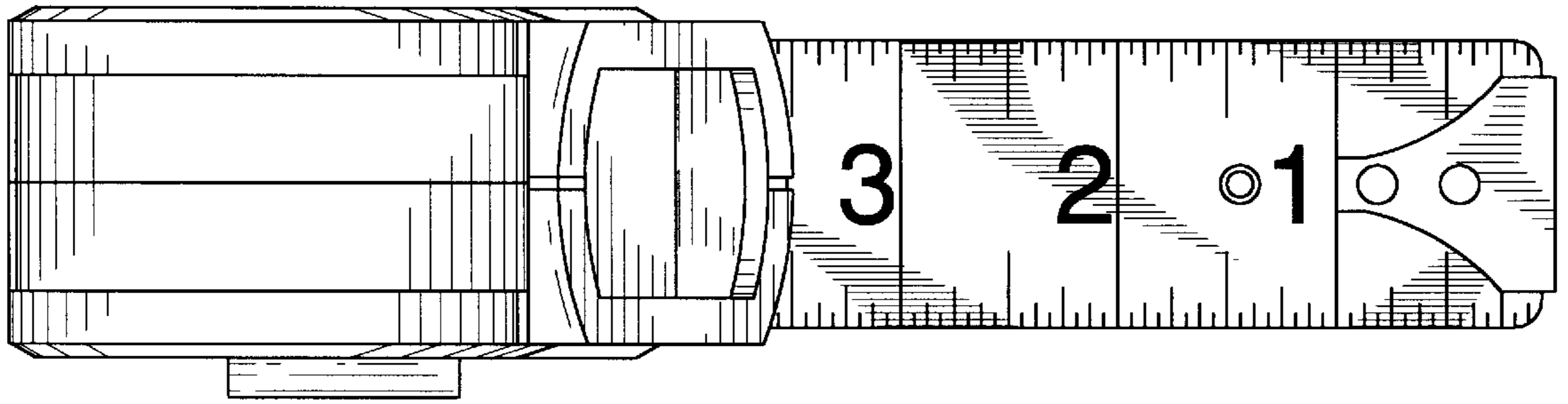


Fig. 5

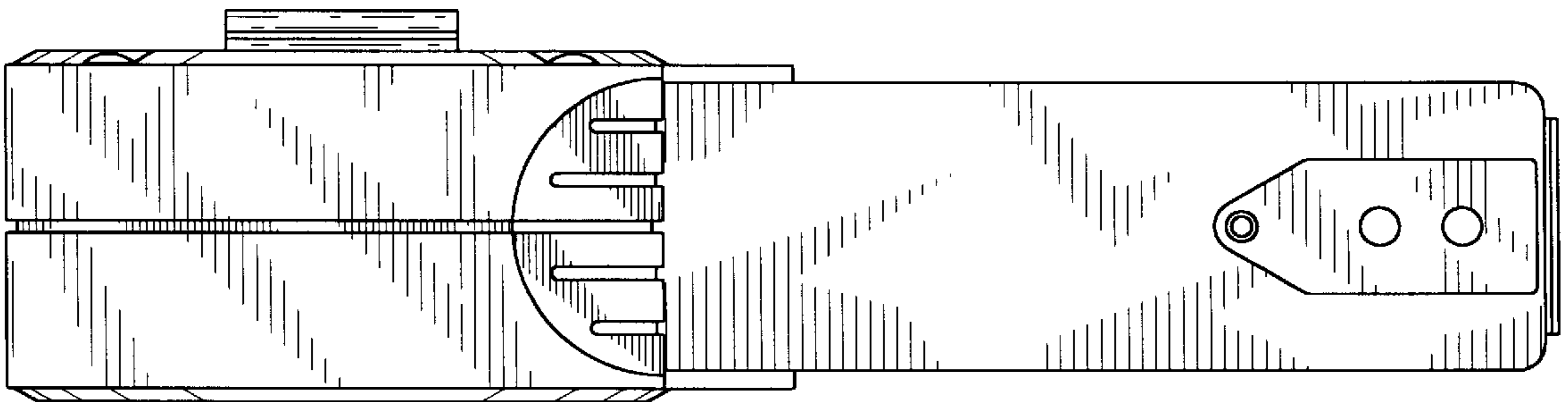


Fig. 6