



US00D403257S

United States Patent [19] Hunter

[11] **Patent Number: Des. 403,257**

[45] **Date of Patent: **Dec. 29, 1998**

[54] **OUTLET BOX STENCILER**

[76] Inventor: **David Hunter**, 309 26th Ave. West,
Cordele, Ga. 31015

[**] Term: **14 Years**

[21] Appl. No.: **22,278**

[22] Filed: **May 3, 1994**

Related U.S. Application Data

[63] Continuation of Ser. No. 928,231, Aug. 12, 1992, abandoned.

[51] **LOC (6) Cl. 10-04**

[52] **U.S. Cl. D10/65; D10/64**

[58] **Field of Search D10/64, 65; 33/197,
33/DIG. 10, 528**

[56] References Cited

U.S. PATENT DOCUMENTS

D. 326,618	6/1992	Draper	D10/65
3,678,588	7/1972	Isola et al.	33/197 X
4,711,634	12/1987	Antone	.	
4,802,284	2/1989	Jackson	.	

4,888,879 12/1989 Dixon .
4,907,711 3/1990 Stuchlik .
4,953,733 9/1990 Loscuito .

OTHER PUBLICATIONS

Brochure distributed by American Inventors Corporation approximately during Oct. 1992.

Primary Examiner—Antoine Duval Davis

[57] CLAIM

The ornamental design for a outlet box stenciler, as shown and described.

DESCRIPTION

FIG. 1 is a front elevational view of the outlet box stenciler showing my new design;
FIG. 2 is a rear elevational view thereof;
FIG. 3 is a left side elevational view thereof;
FIG. 4 is a right side elevational view thereof;
FIG. 5 is a top plan view thereof;
FIG. 6 is a bottom plan view thereof; and,
FIG. 7 is a perspective view thereof as viewed along the line 7 in FIG. 1.

1 Claim, 3 Drawing Sheets

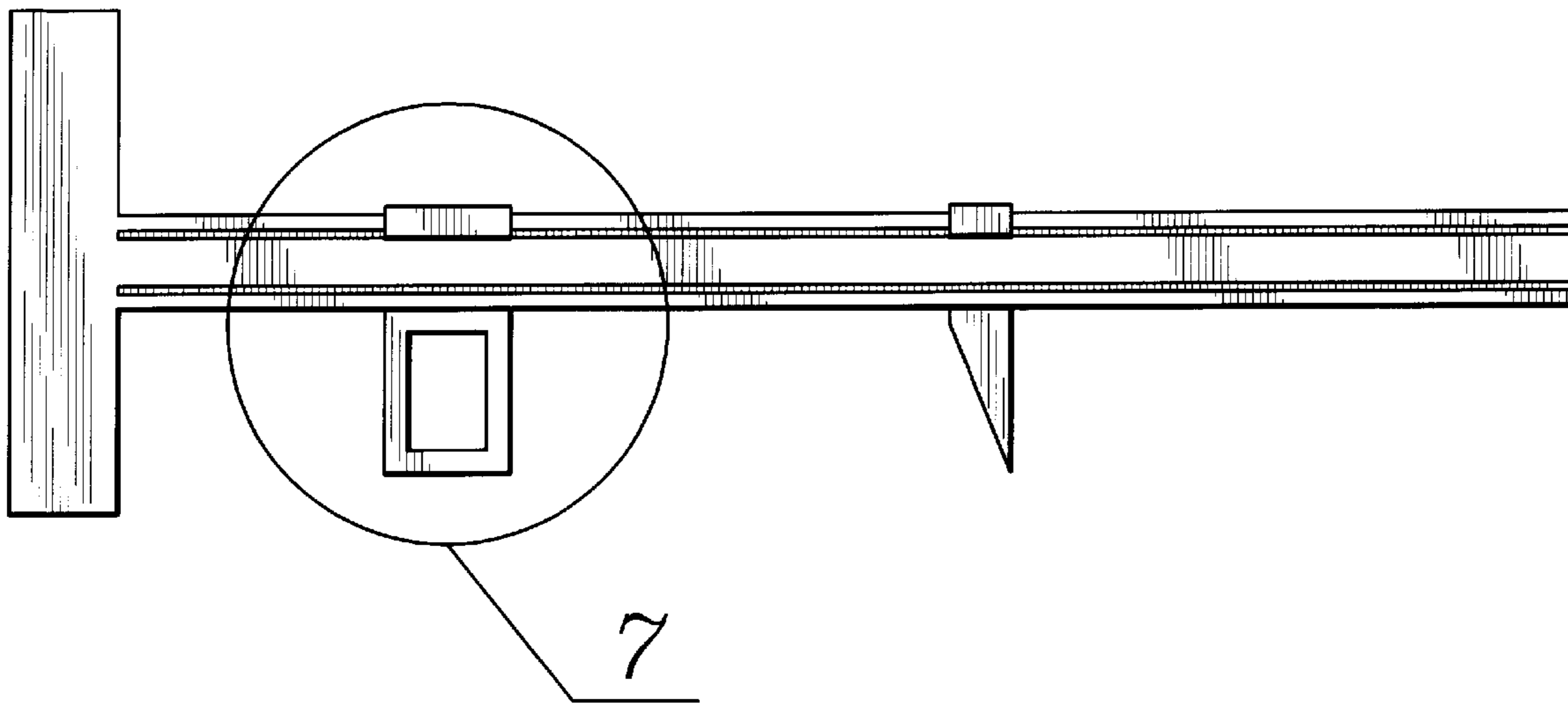


FIG. 1

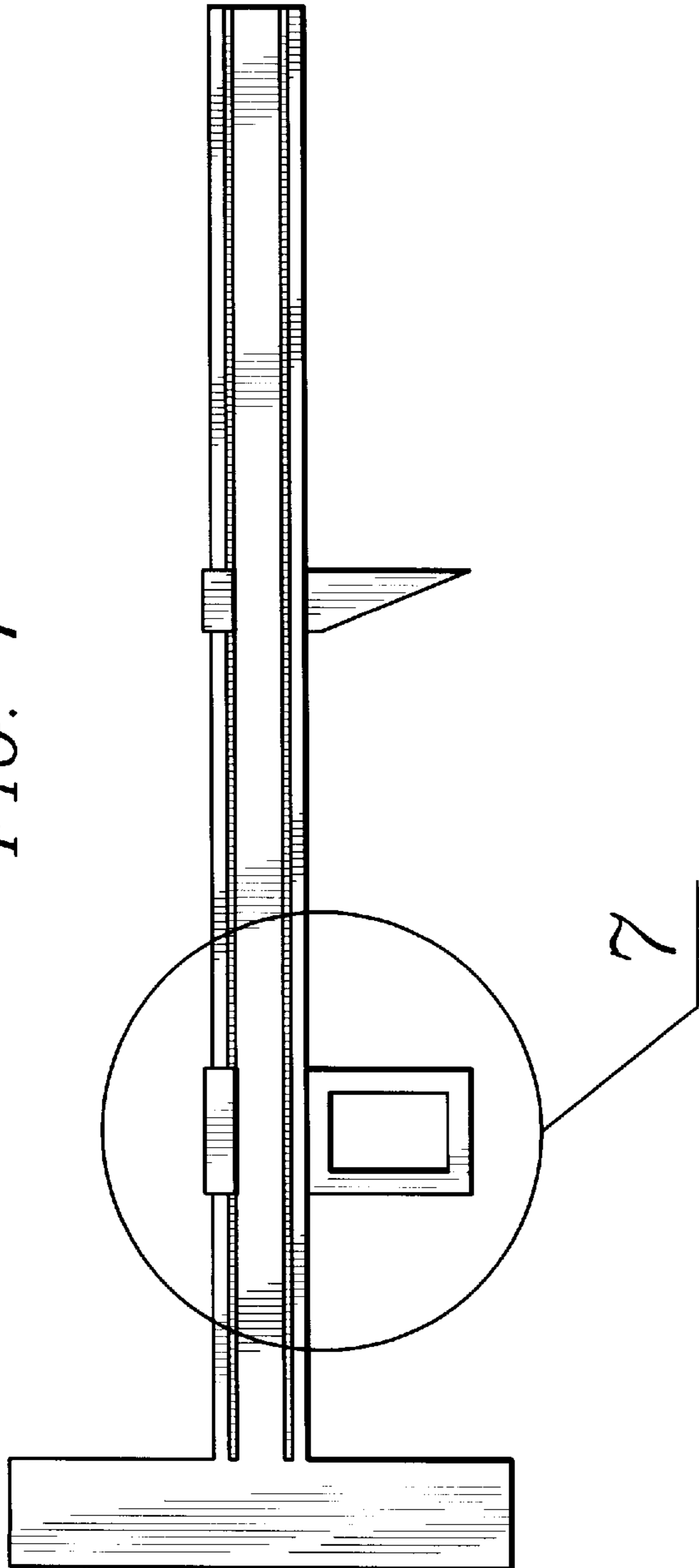


FIG. 2

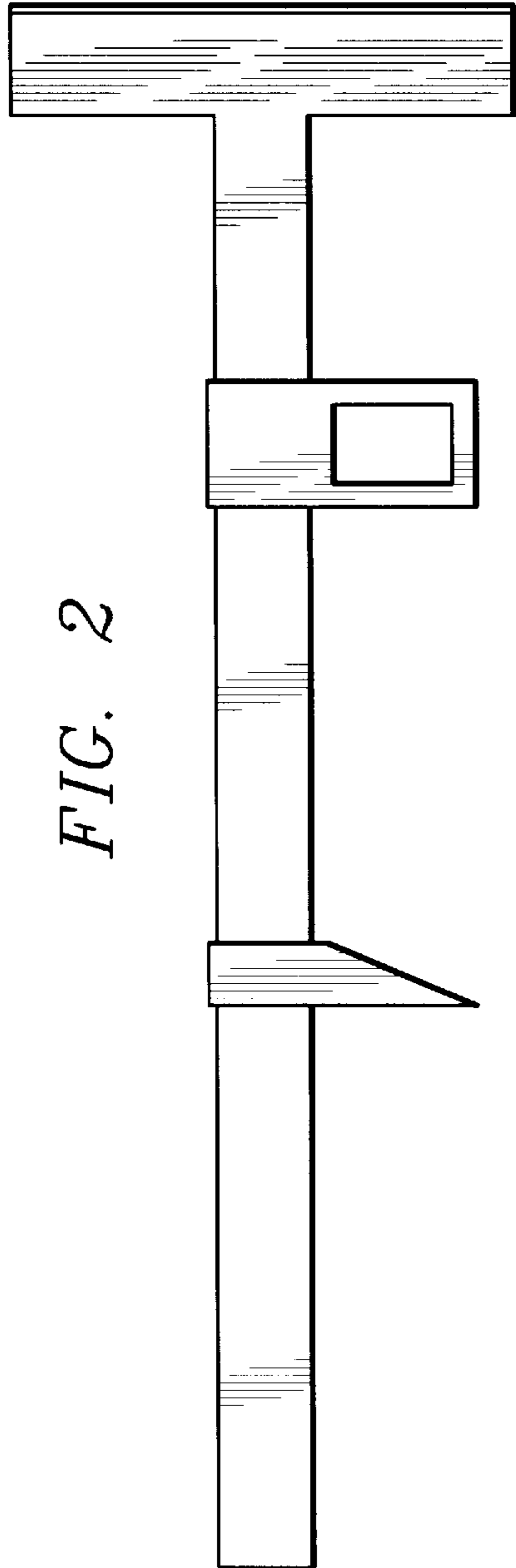


FIG. 3



FIG. 4



FIG. 5



FIG. 6



FIG. 7

