



US00D403249S

# United States Patent [19]

[11] **Patent Number: Des. 403,249**

**Murphy et al.**

[45] **Date of Patent: \*\*Dec. 29, 1998**

[54] **FACELESS WATCH SYSTEM**

*Primary Examiner*—Nelson C. Holtje

[76] Inventors: **Patrick J. Murphy**, 133 S. 25th; **A. Matthew Dudish**, 1900 Howard Ave., both of Pottsville, Pa. 17901

[57] **CLAIM**

The ornamental design for a faceless watch system, as shown.

[\*\*] Term: **14 Years**

**DESCRIPTION**

[21] Appl. No.: **68,000**

FIG. 1 is a top plan view of the faceless watch system of the present invention;

[22] Filed: **Mar. 13, 1997**

FIG. 2 is a bottom plan view of the faceless watch system of FIG. 1;

[51] **LOC (6) Cl.** ..... **10-02**

FIG. 3 is a left side plan view of the faceless watch system of FIG. 1;

[52] **U.S. Cl.** ..... **D10/32**

FIG. 4 is a right side plan view of the faceless watch system of FIG. 1;

[58] **Field of Search** ..... D10/1-40, 122-132; D11/3-25; 63/1.1, 3, 5, 11; 368/276-277, 280-282, 285

FIG. 5 is a front plan view of the faceless watch system of FIG. 1; and,

[56] **References Cited**

FIG. 6 is a back plan view of the faceless watch system of FIG. 1.

**U.S. PATENT DOCUMENTS**

D. 348,010	6/1994	Riley	.....	D10/30
D. 362,192	9/1995	Hitter	.....	D10/32
D. 377,452	1/1997	Boone	.....	D10/40

The end portions of the band are shown broken-away in FIGS. 1-4 to indicate indeterminate length.

**1 Claim, 3 Drawing Sheets**

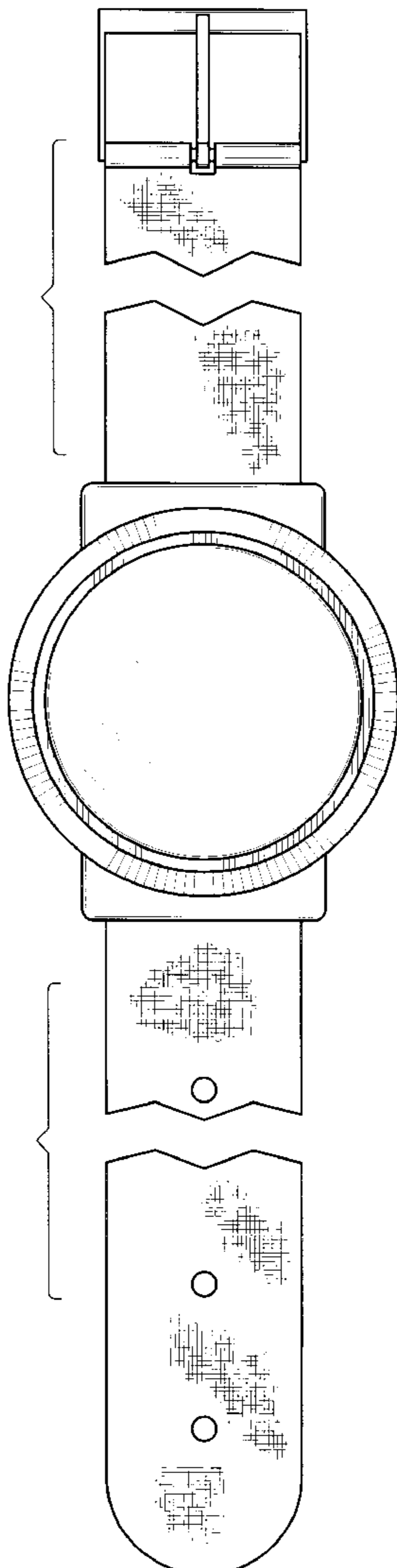


FIG. 1

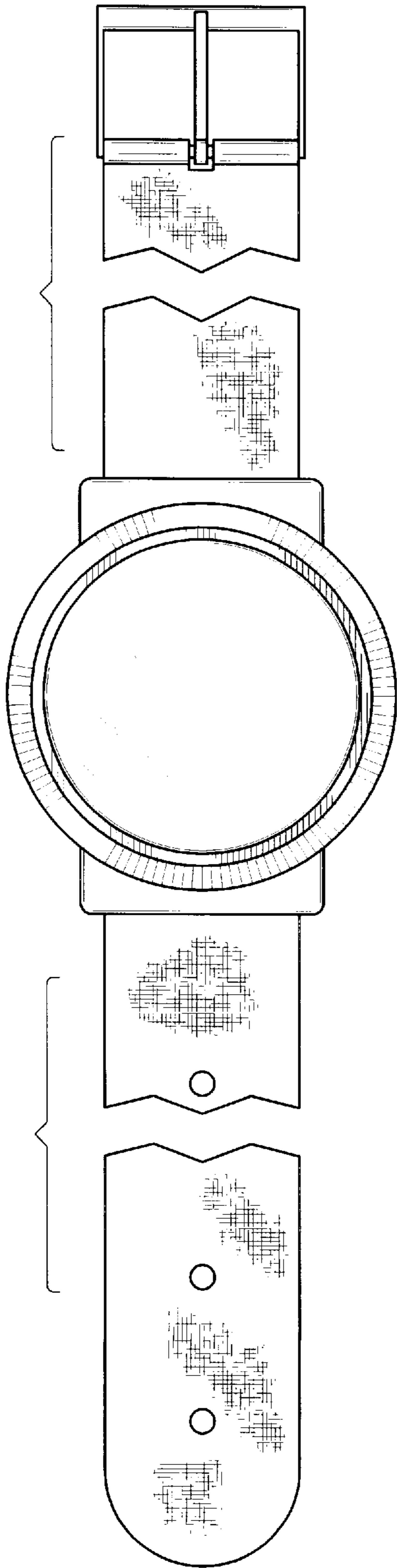


FIG. 2

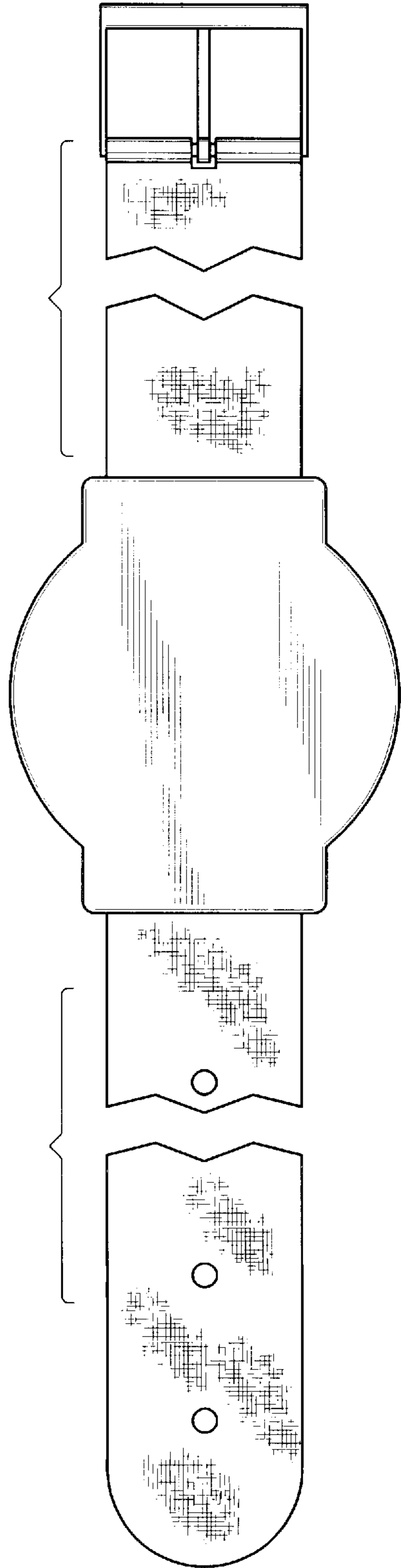


FIG. 3

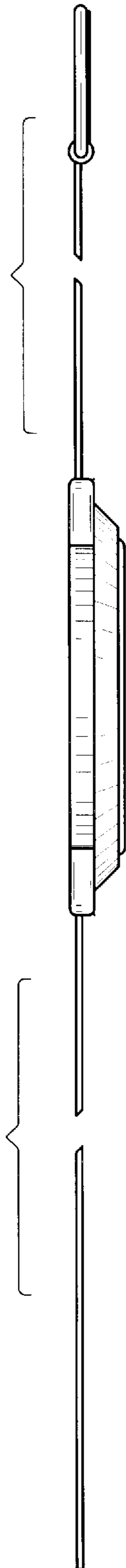
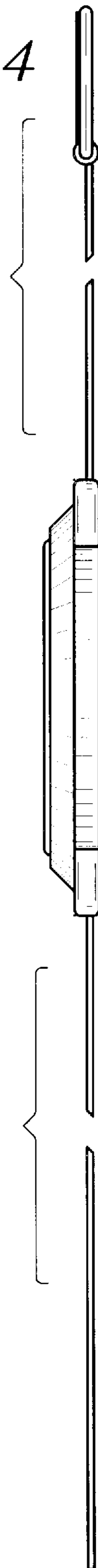


FIG. 4



*FIG. 5*



*FIG. 6*

