



US00D403247S

**United States Patent** [19]  
**Houlihan et al.**

[11] **Patent Number: Des. 403,247**  
[45] **Date of Patent: \*\*Dec. 29, 1998**

[54] **BEZEL AND CASING FOR A WATCH**

[75] Inventors: **John T. Houlihan**, Southbury; **David Quinlan**, Marion, both of Conn.  
[73] Assignee: **Timex Corporation**, Middlebury, Conn.  
[\*\*] Term: **14 Years**

[21] Appl. No.: **74,027**  
[22] Filed: **Jul. 23, 1997**

[51] **LOC (6) Cl.** ..... **10-02**  
[52] **U.S. Cl.** ..... **D10/30; D10/38**  
[58] **Field of Search** ..... D10/1-40, 122-132;  
368/280-282, 276-277, 28-30, 285, 239-242,  
82-84, 41-44

[56] **References Cited**

**U.S. PATENT DOCUMENTS**

D. 292,678 11/1987 Takeichi .  
D. 370,857 6/1996 Goto ..... D10/38  
D. 386,982 12/1997 Ramos ..... D10/38  
1,245,801 11/1917 Rosenthal .

**OTHER PUBLICATIONS**

“Europa Star” No. 98-2, Jul.-Aug. 1976.  
“Europa Star” No. 79-1, Apr.-May 1980.  
Asian Sources Timepieces, Apr. 1988, p. 211.  
G-Shock Watch Brochure.  
Armitron Watches, Model 40/6537.  
Armitron Watches, Model 40/6533.

*Primary Examiner*—Nelson C. Holtje  
*Attorney, Agent, or Firm*—Arthur G. Schaier

[57] **CLAIM**

The ornamental design for a “bezel and casing for a watch”, as shown and described.

**DESCRIPTION**

FIG. 1 is a perspective elevational view of a “bezel and casing for a watch”;  
FIG. 2 is a side elevational view thereof; the other side being a mirror image is not shown;  
FIG. 3 is an end elevational view thereof; the other end being a mirror image is not shown; and,  
FIG. 4 is a bottom plan view thereof.

**1 Claim, 1 Drawing Sheet**

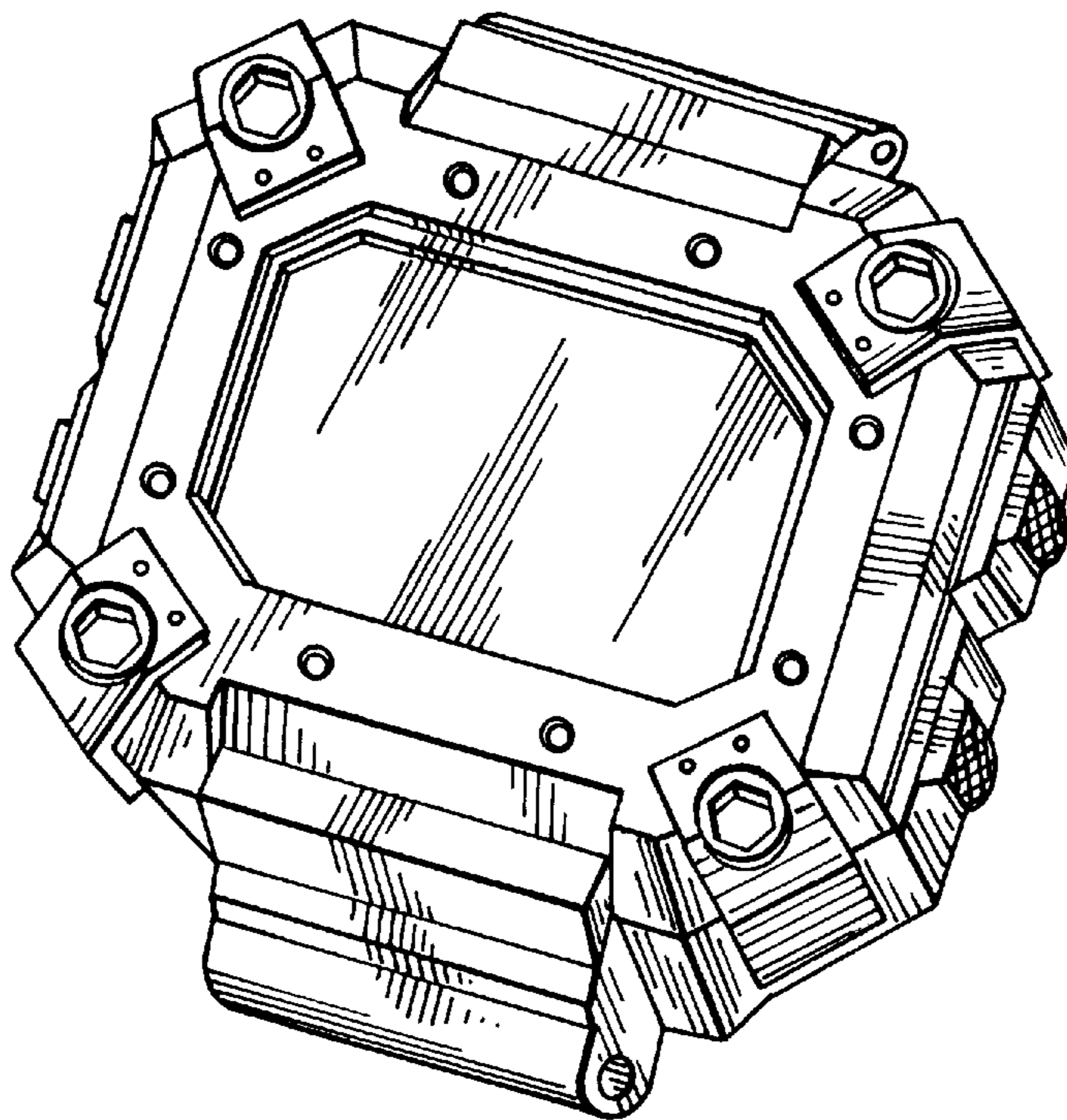


Fig.1

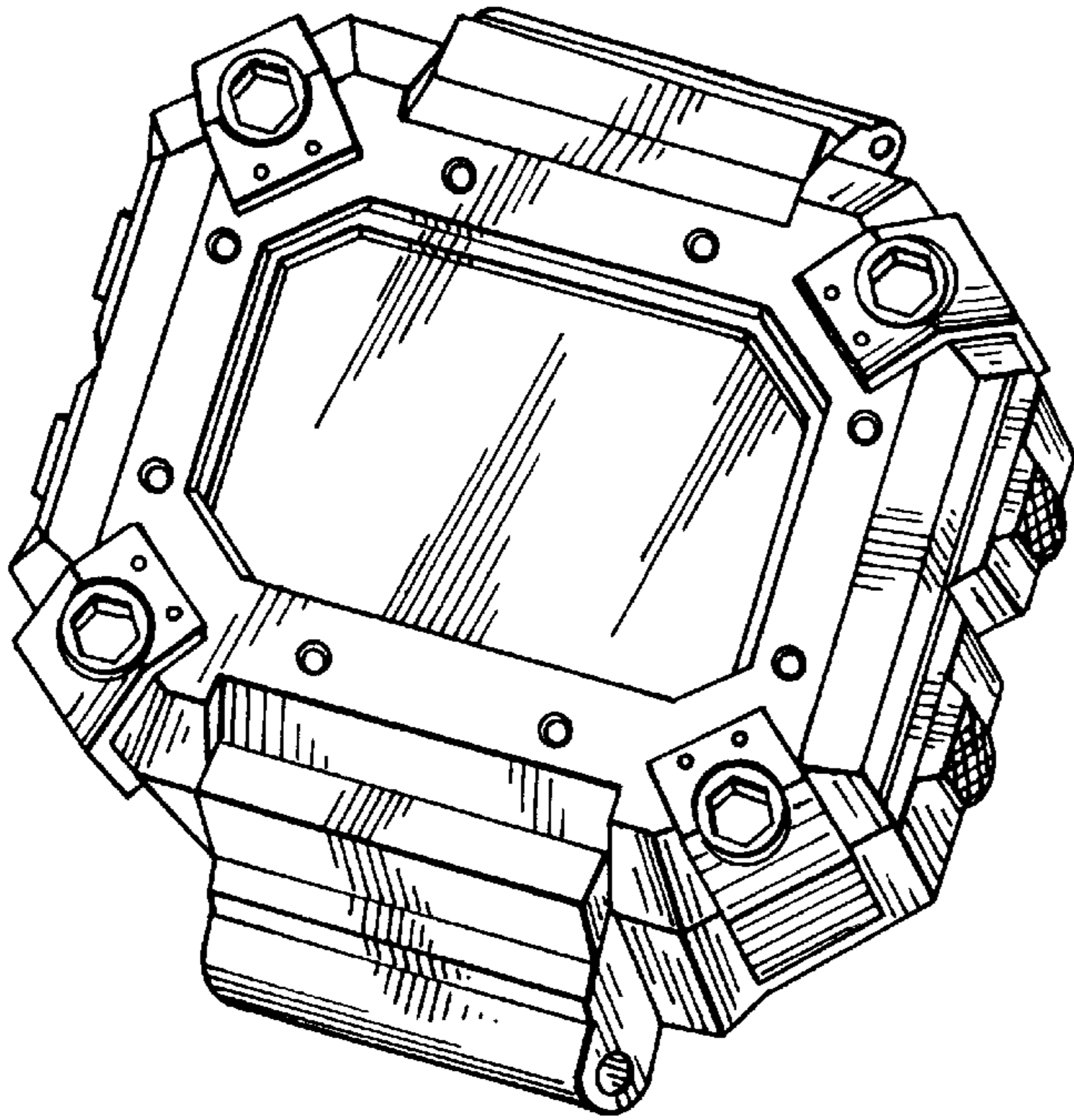


Fig.3

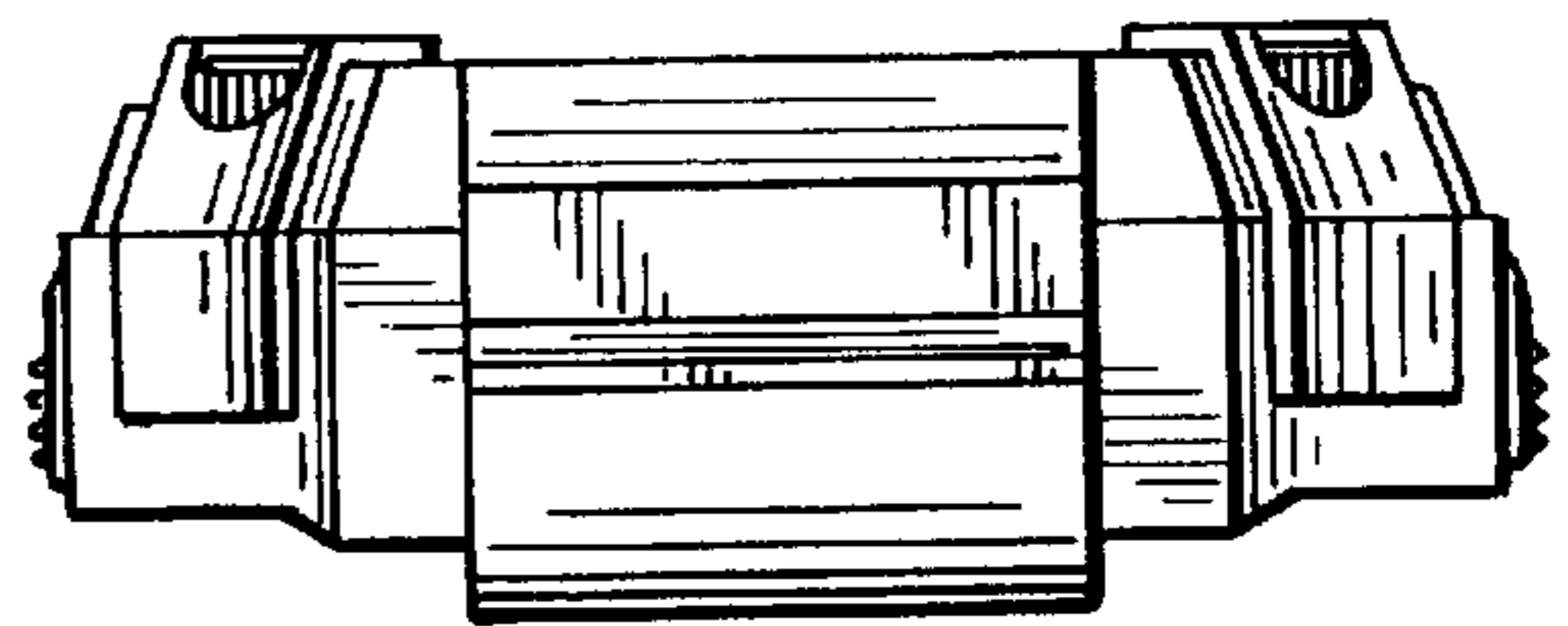


Fig.2

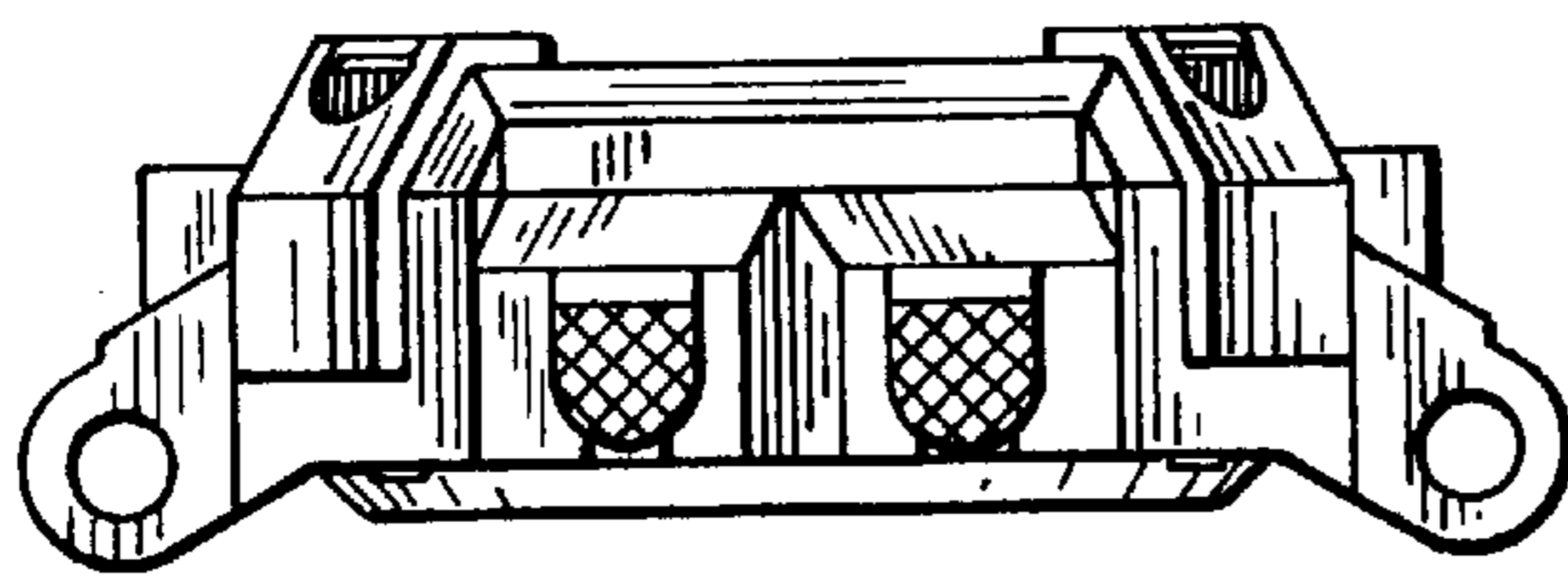


Fig.4

