



US00D403236S

United States Patent [19]
McBarnette

[11] **Patent Number: Des. 403,236**

[45] **Date of Patent: **Dec. 29, 1998**

[54] **HANGER FOR WIRE FENCE**

[76] Inventor: **Cathy McBarnette**, 174 Kingsberry Dr., Somerset, N.J. 08873

[**] Term: **14 Years**

[21] Appl. No.: **79,011**

[22] Filed: **Nov. 6, 1997**

[51] **LOC (6) Cl.** **08-05**

[52] **U.S. Cl.** **D8/372; D8/373**

[58] **Field of Search** **D8/373, 372; 248/225.21, 248/220.21, 222.51, 301, 304, 215, 339, 218.1**

[56] **References Cited**

U.S. PATENT DOCUMENTS

- D. 31,976 12/1899 Hogue D8/372
- D. 312,388 11/1990 Riener D8/373
- 4,485,995 12/1984 Hogg 248/222.51 X

Primary Examiner—Holly Baynham
Attorney, Agent, or Firm—Friscia & Nussbaum

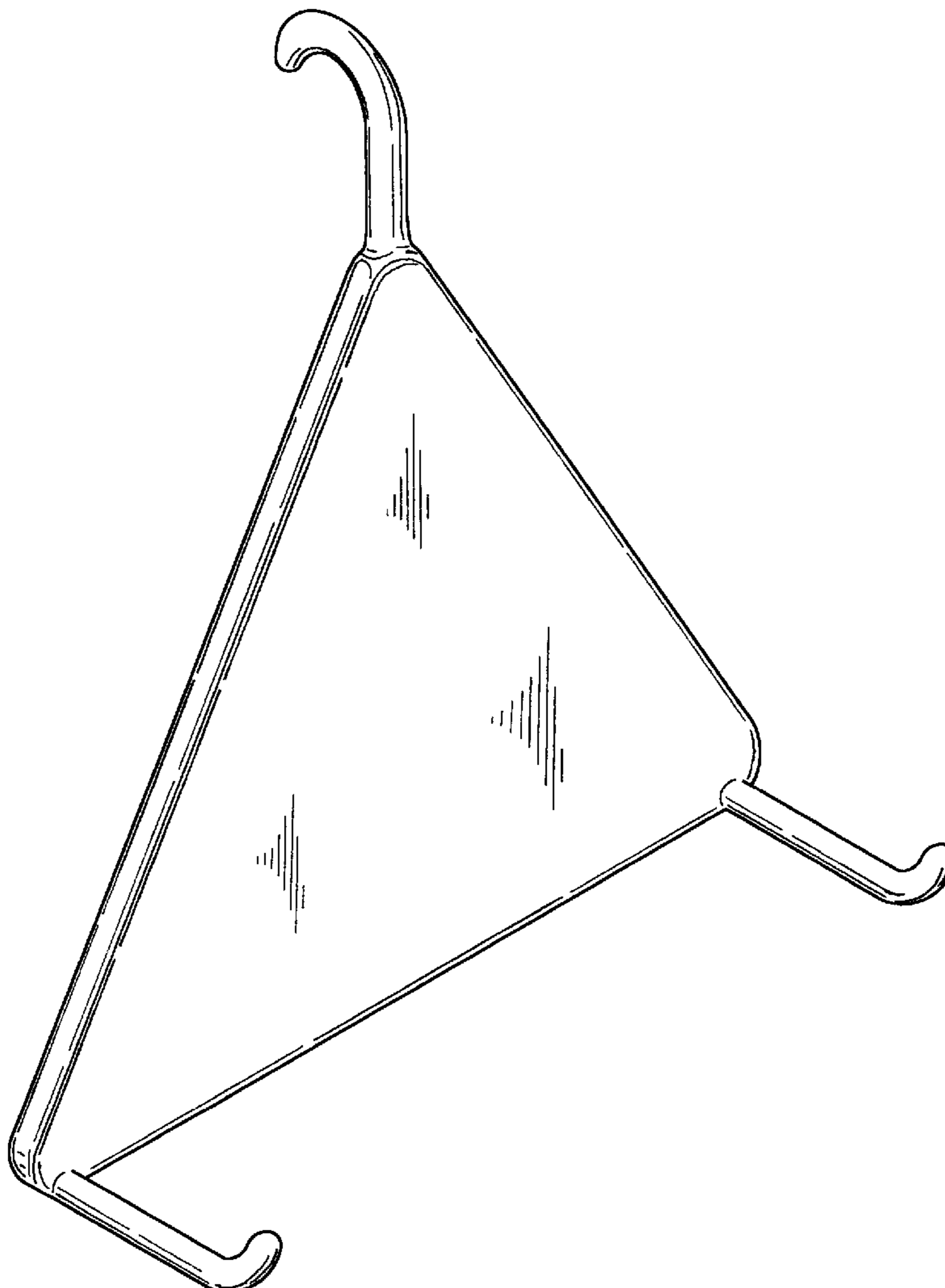
[57] **CLAIM**

The ornamental design for a hanger for a wire fence, as shown.

DESCRIPTION

FIG. 1 is a perspective view of the hanger for a wire fence of the present invention;
 FIG. 2 is a front plan view thereof;
 FIG. 3 is a rear plan view thereof;
 FIG. 4 is a left plan view thereof, the right side being a mirror image thereof;
 FIG. 5 is a top plan view thereof;
 FIG. 6 is a bottom plan view thereof;
 FIG. 7 is a front plan view of another embodiment of the present invention;
 FIG. 8 is a rear plan view thereof;
 FIG. 9 is a left side plan view, the right side being a mirror image thereof;
 FIG. 10 is a top plan view thereof; and,
 FIG. 11 is a bottom plan view thereof.

1 Claim, 4 Drawing Sheets



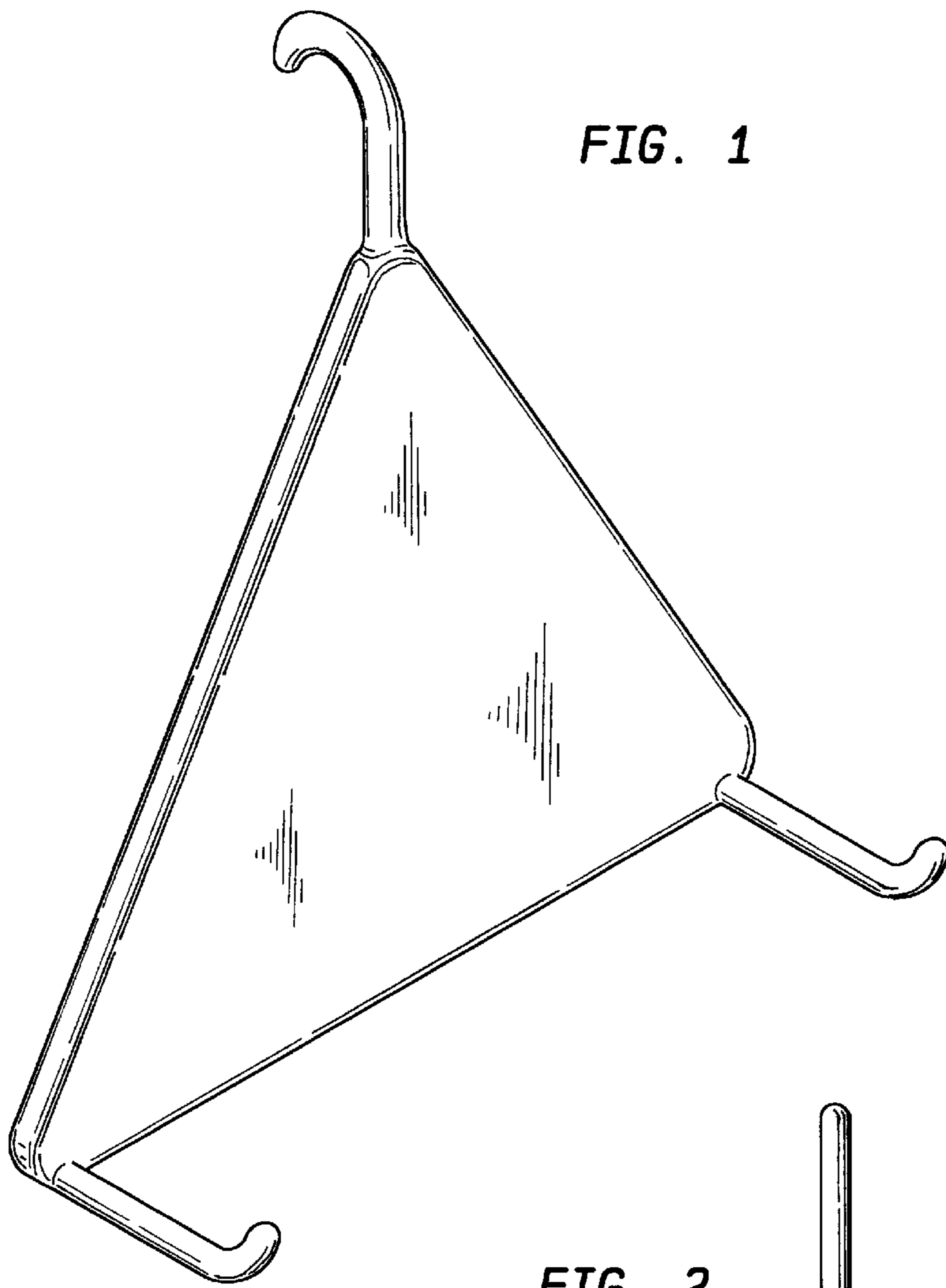


FIG. 1

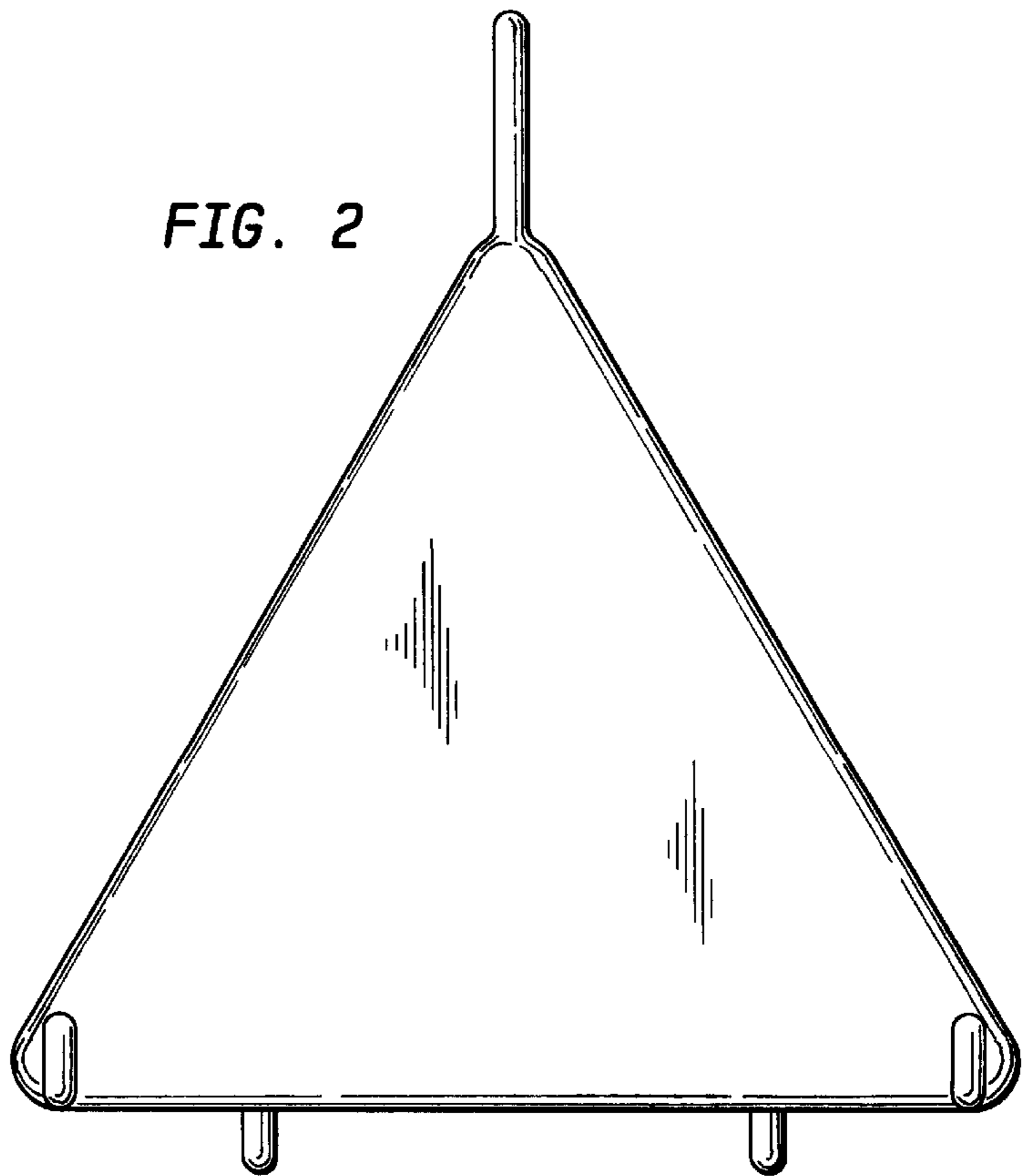


FIG. 2

FIG. 3

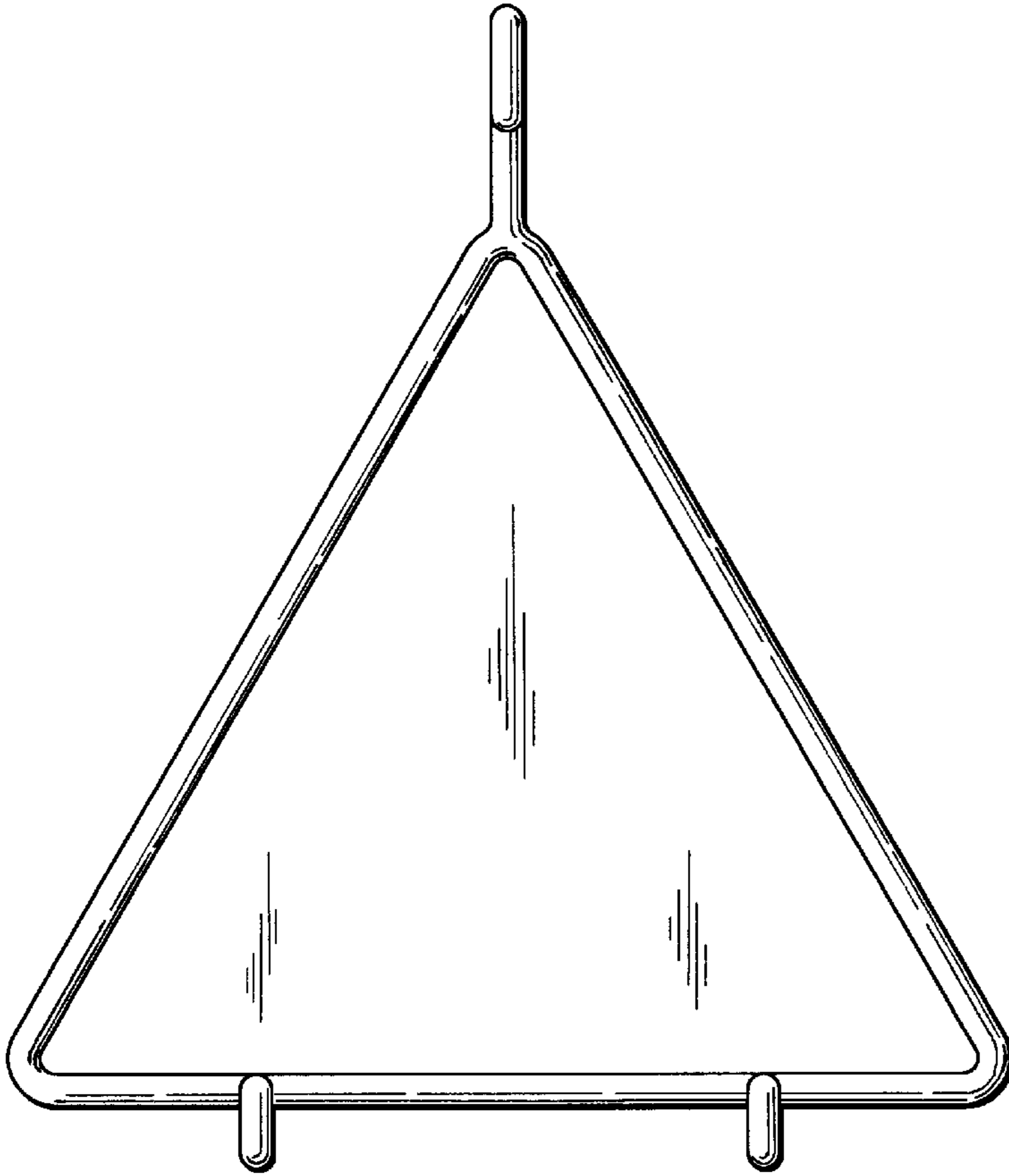


FIG. 4

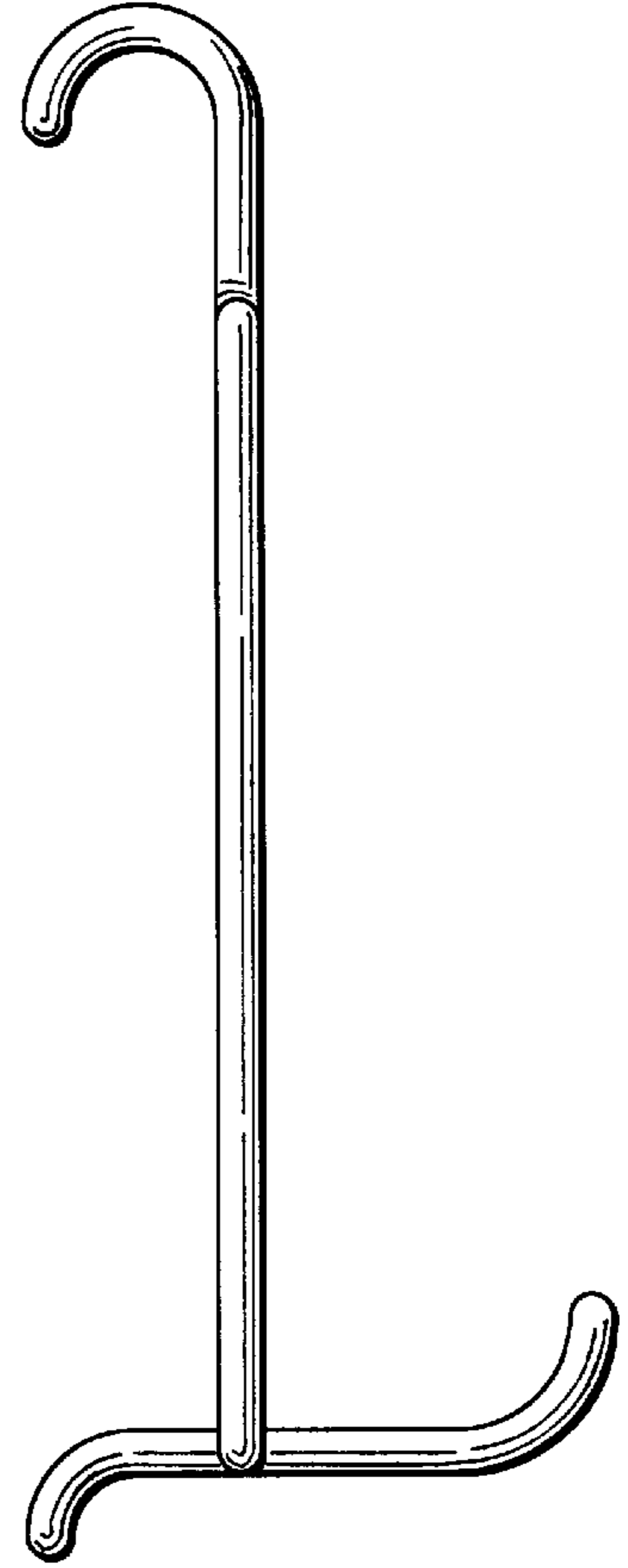


FIG. 5

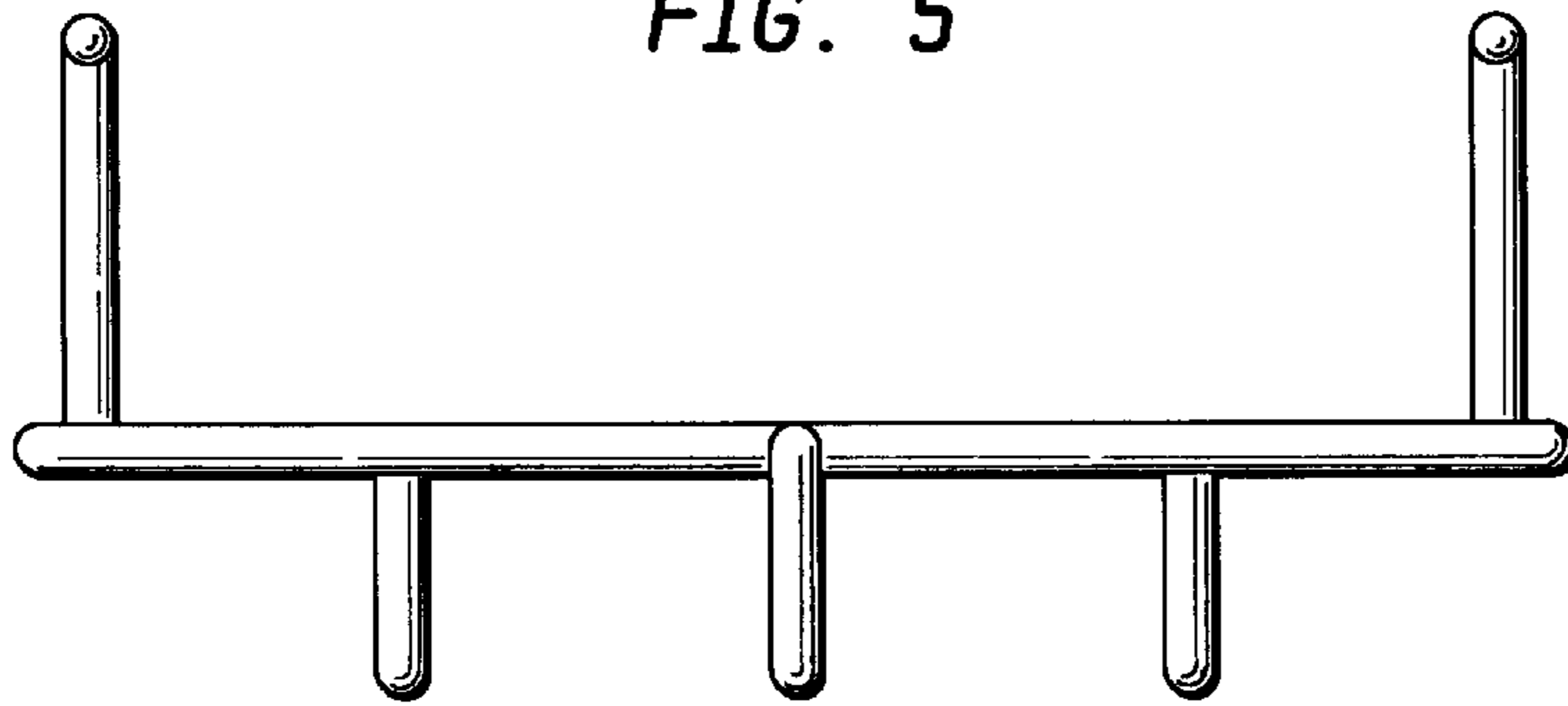


FIG. 6

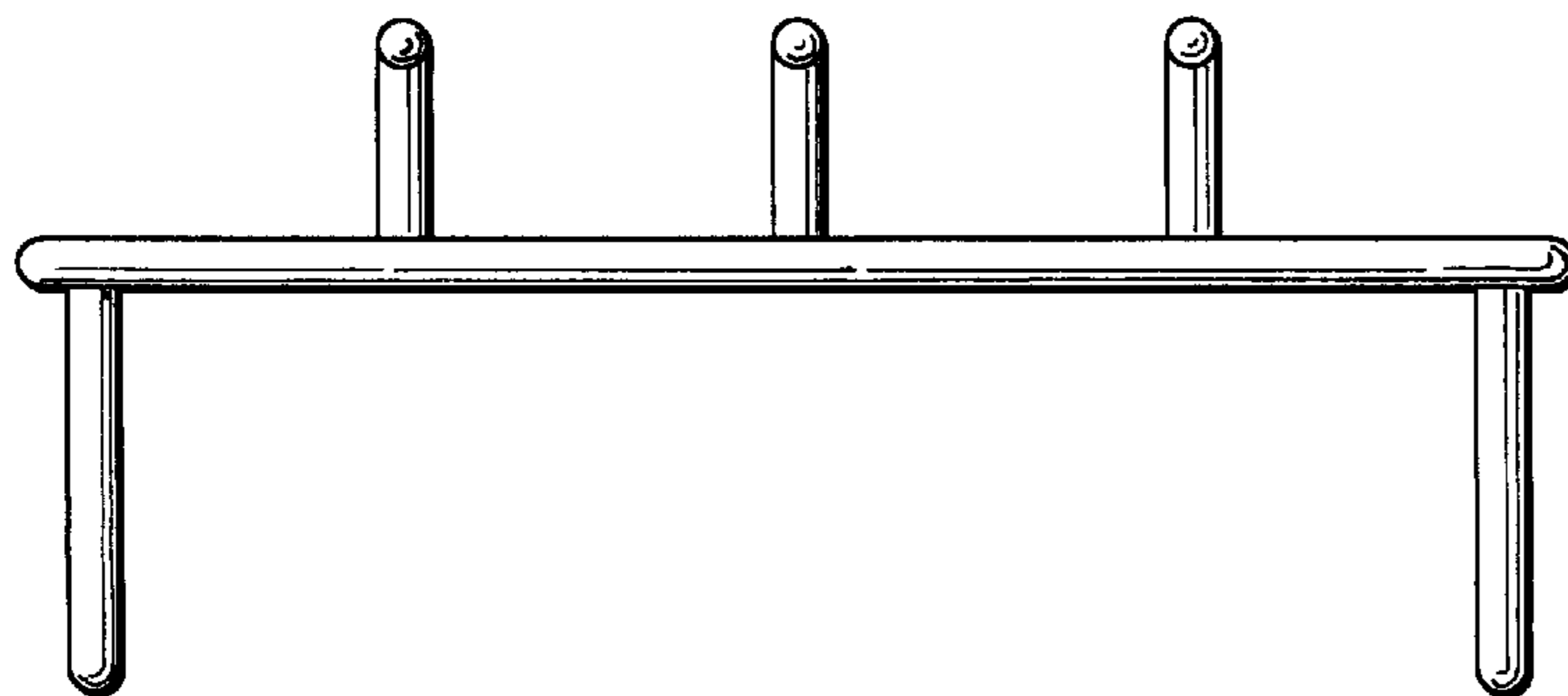


FIG. 7

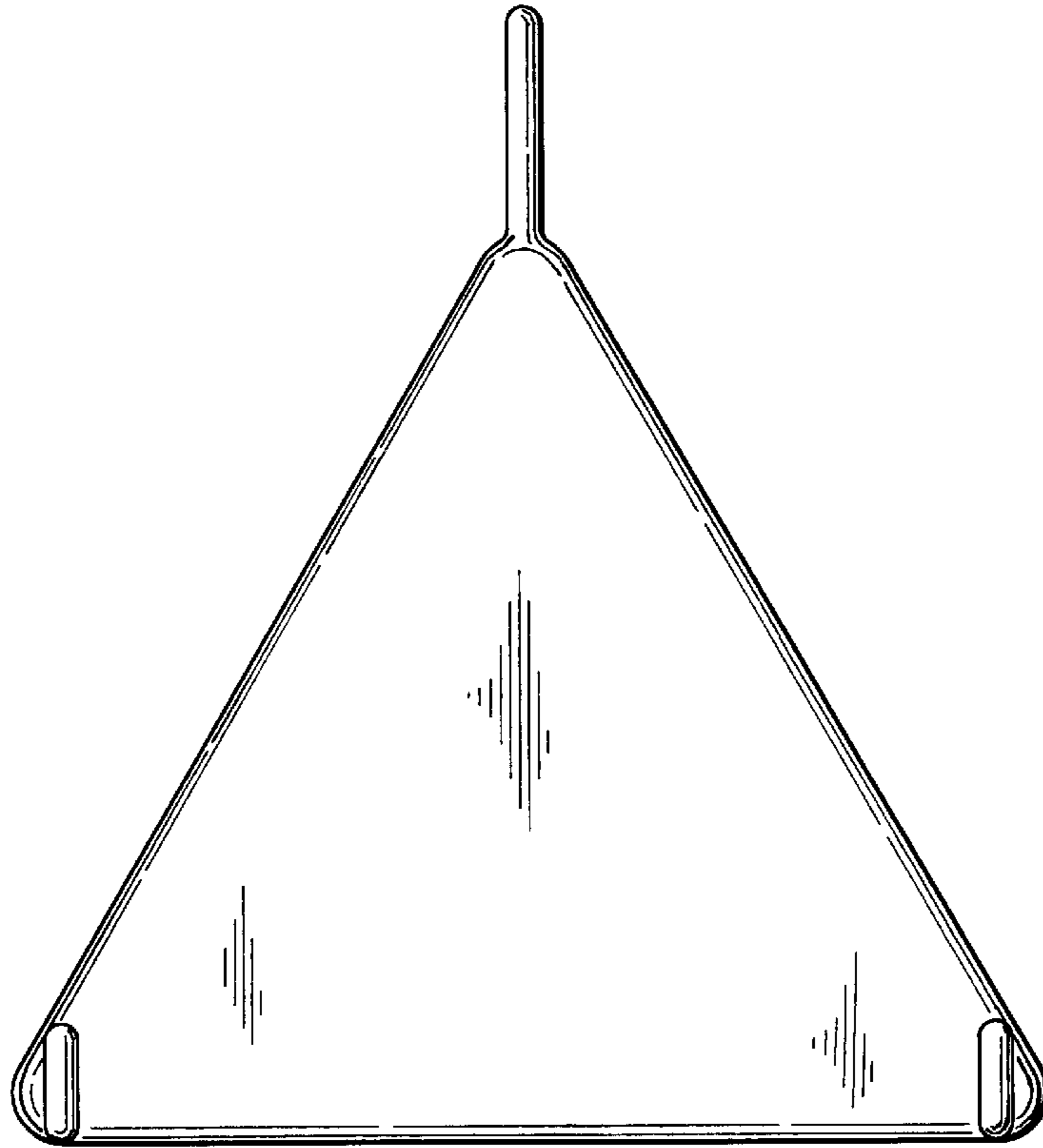


FIG. 8

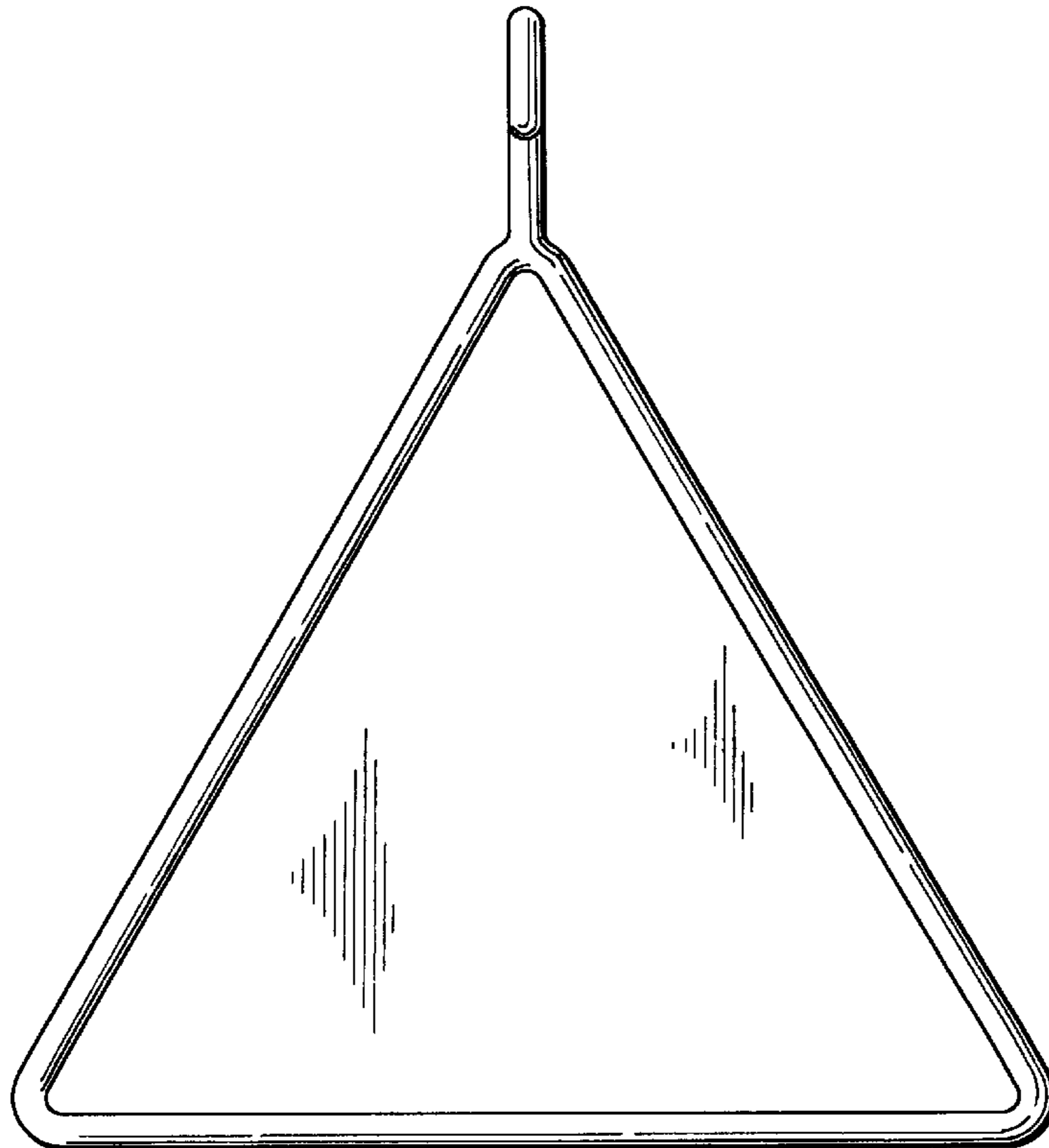


FIG. 9

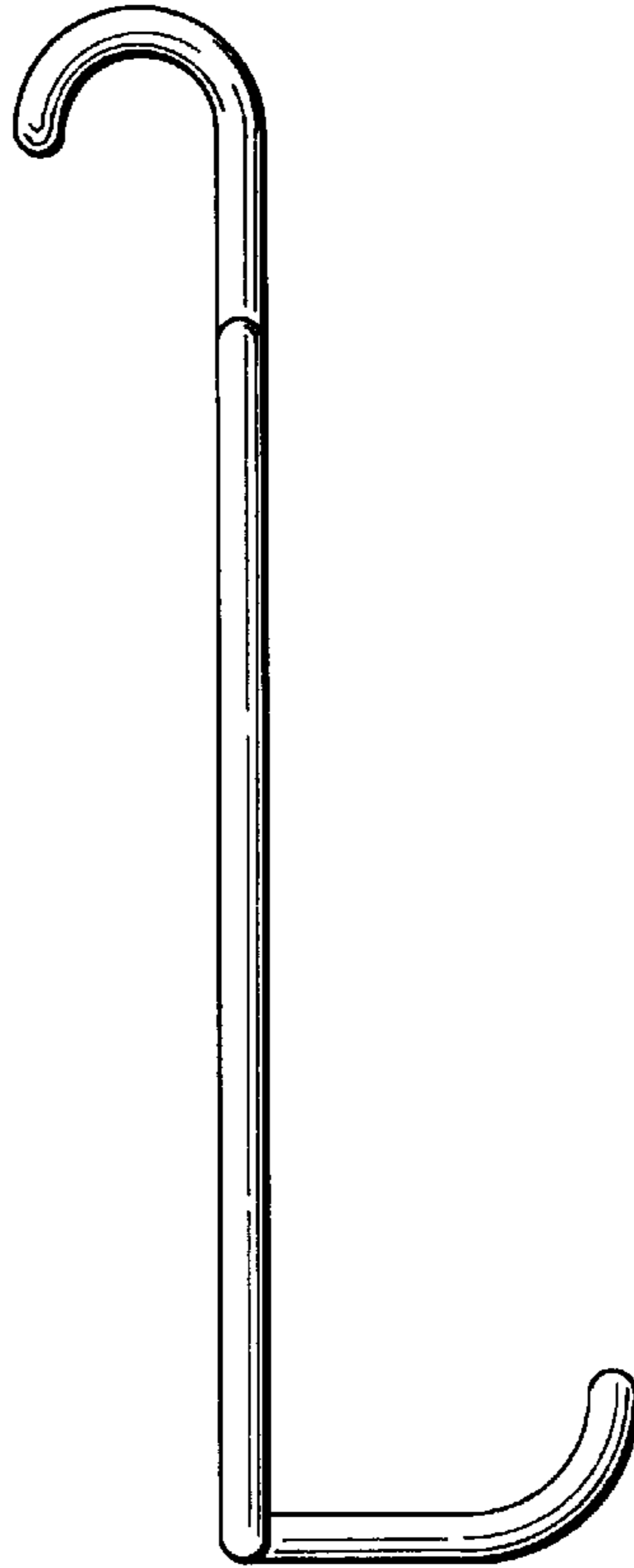


FIG. 10

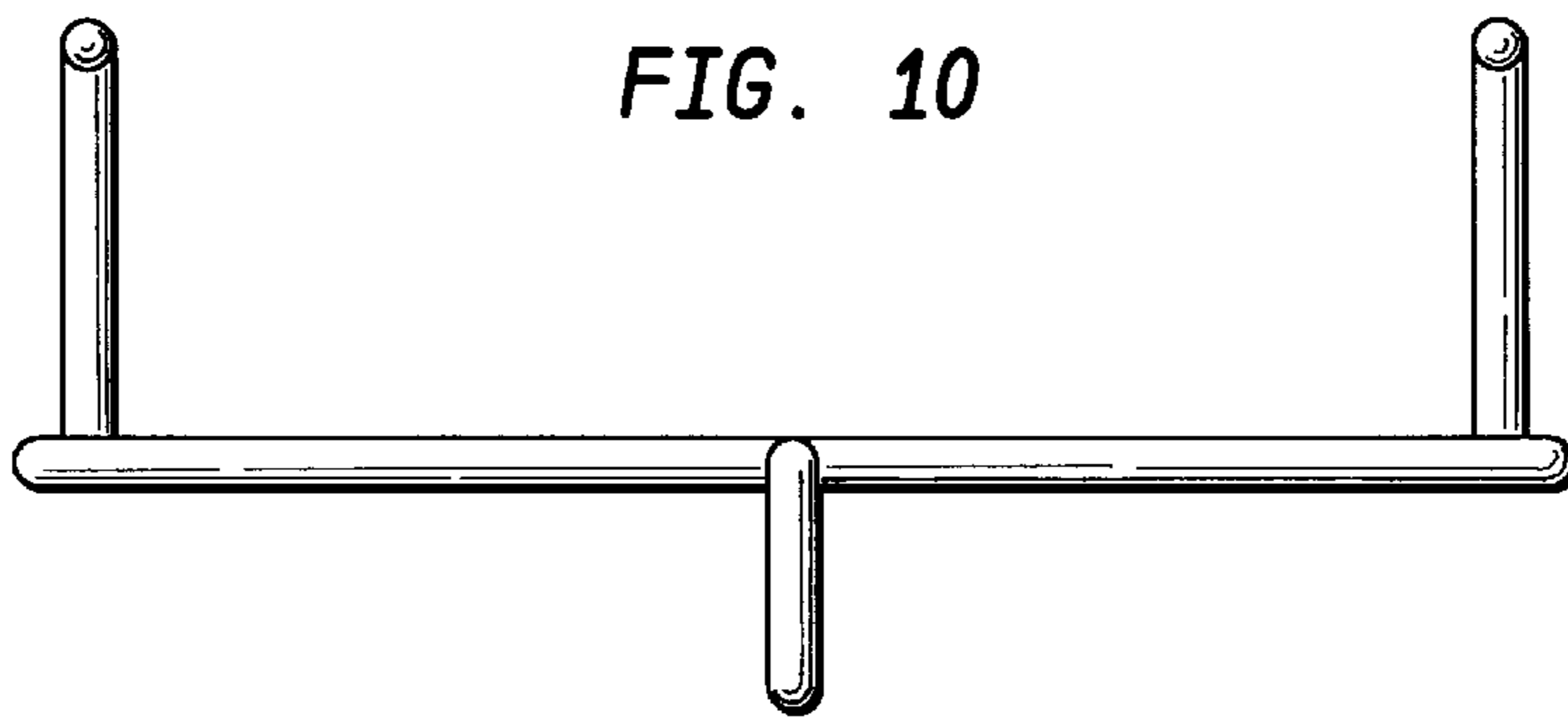


FIG. 11

