



US00D403235S

United States Patent [19] Nakamura

[11] **Patent Number: Des. 403,235**

[45] **Date of Patent: **Dec. 29, 1998**

[54] **TERMINAL WIRE HOLDER**

[75] Inventor: **Toshinobu Nakamura**, Tokyo, Japan

[73] Assignee: **Shinagawa Shoko Co., Ltd.**, Tokyo, Japan

[**] Term: **14 Years**

[21] Appl. No.: **77,131**

[22] Filed: **Sep. 29, 1997**

[51] **LOC (6) Cl. 08-05**

[52] **U.S. Cl. D8/356; D8/395**

[58] **Field of Search D8/356, 394-396; 248/73, 68.1, 74.1-74.4; 24/16 R**

[56] **References Cited**

U.S. PATENT DOCUMENTS

D. 326,407	5/1992	Ito	D8/395
3,991,960	11/1976	Tanaka	248/68.1
4,635,886	1/1987	Santucci et al.	248/73

*Primary Examiner—Holly Baynham
Attorney, Agent, or Firm—Banner & Witcoff, Ltd.*

[57] **CLAIM**

The ornamental design for a terminal wire holder, as shown and described.

DESCRIPTION

FIG. 1 is a perspective view from above of a terminal wire holder embodying the present design; FIG. 2 is a perspective view from beneath; FIG. 3 is a front view thereof; FIG. 4 is a rear view thereof; FIG. 5 is a top plan view thereof; FIG. 6 is a bottom view thereof; FIG. 7 is a left side view thereof; FIG. 8 is a right side view thereof; FIG. 9 is a perspective view thereof when the lever is locked; FIG. 10 is a left side view thereof when the lever is locked; FIG. 11 is a front view thereof when the lever is locked; and, FIG. 12 is a top plan view thereof when the lever is locked.

1 Claim, 4 Drawing Sheets

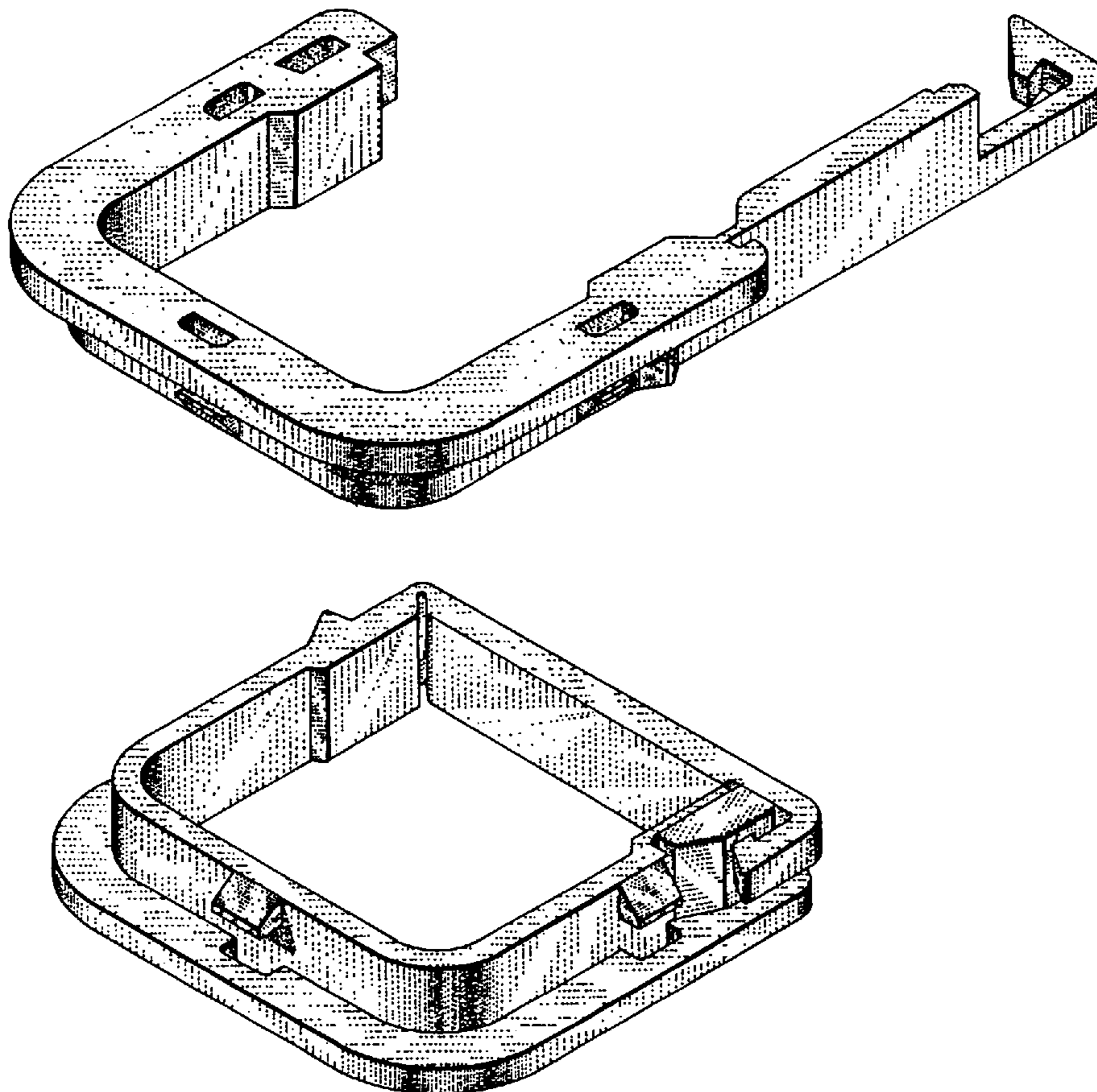


FIG. 1

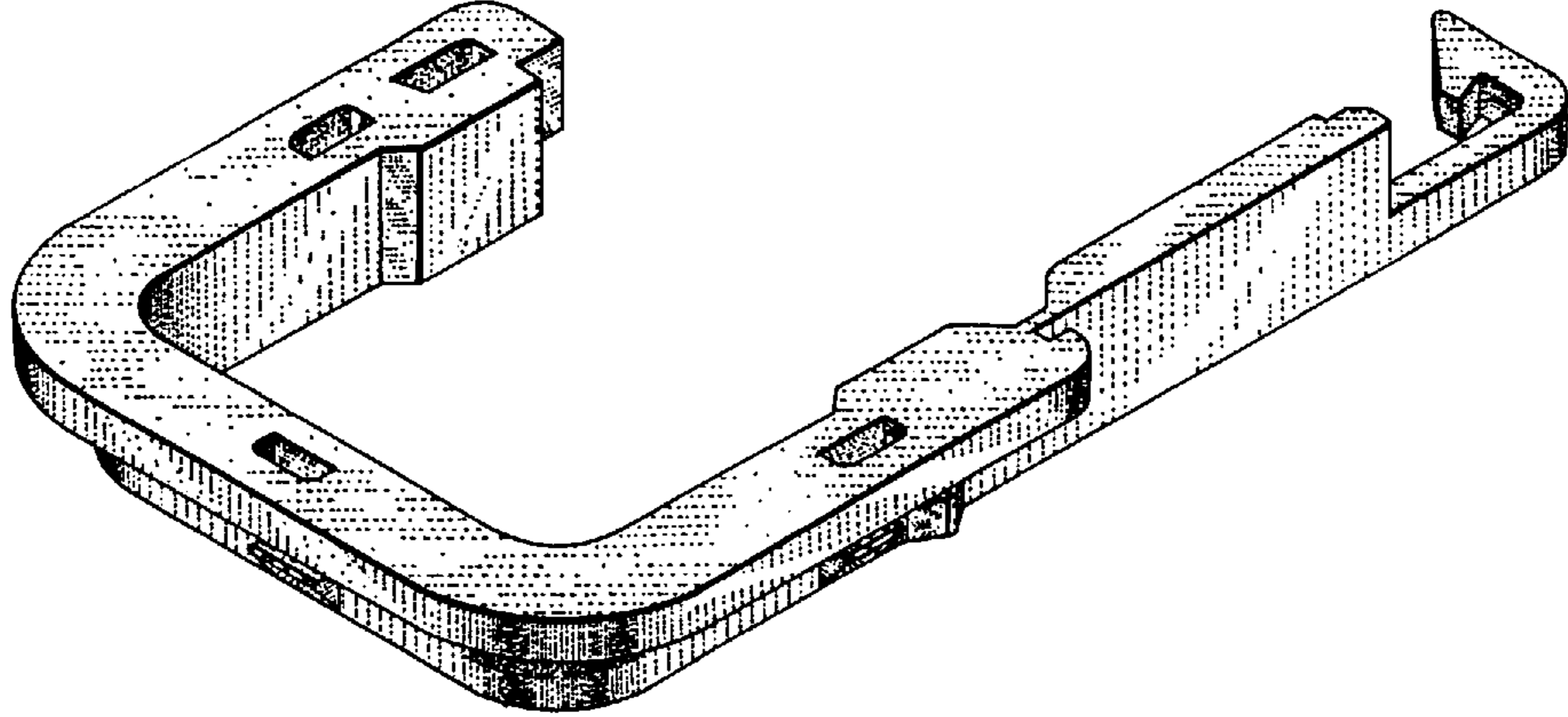


FIG. 2

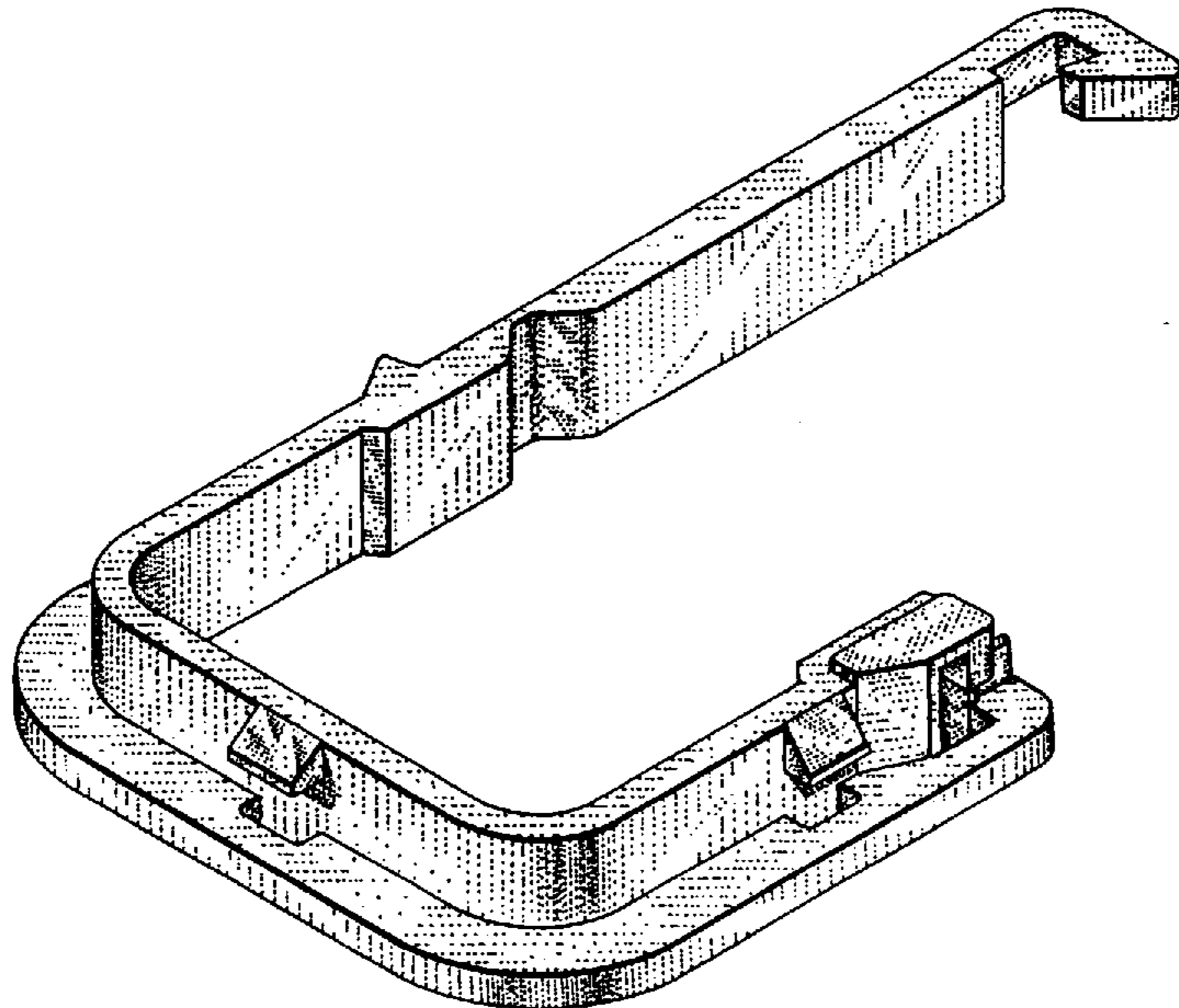


FIG.3

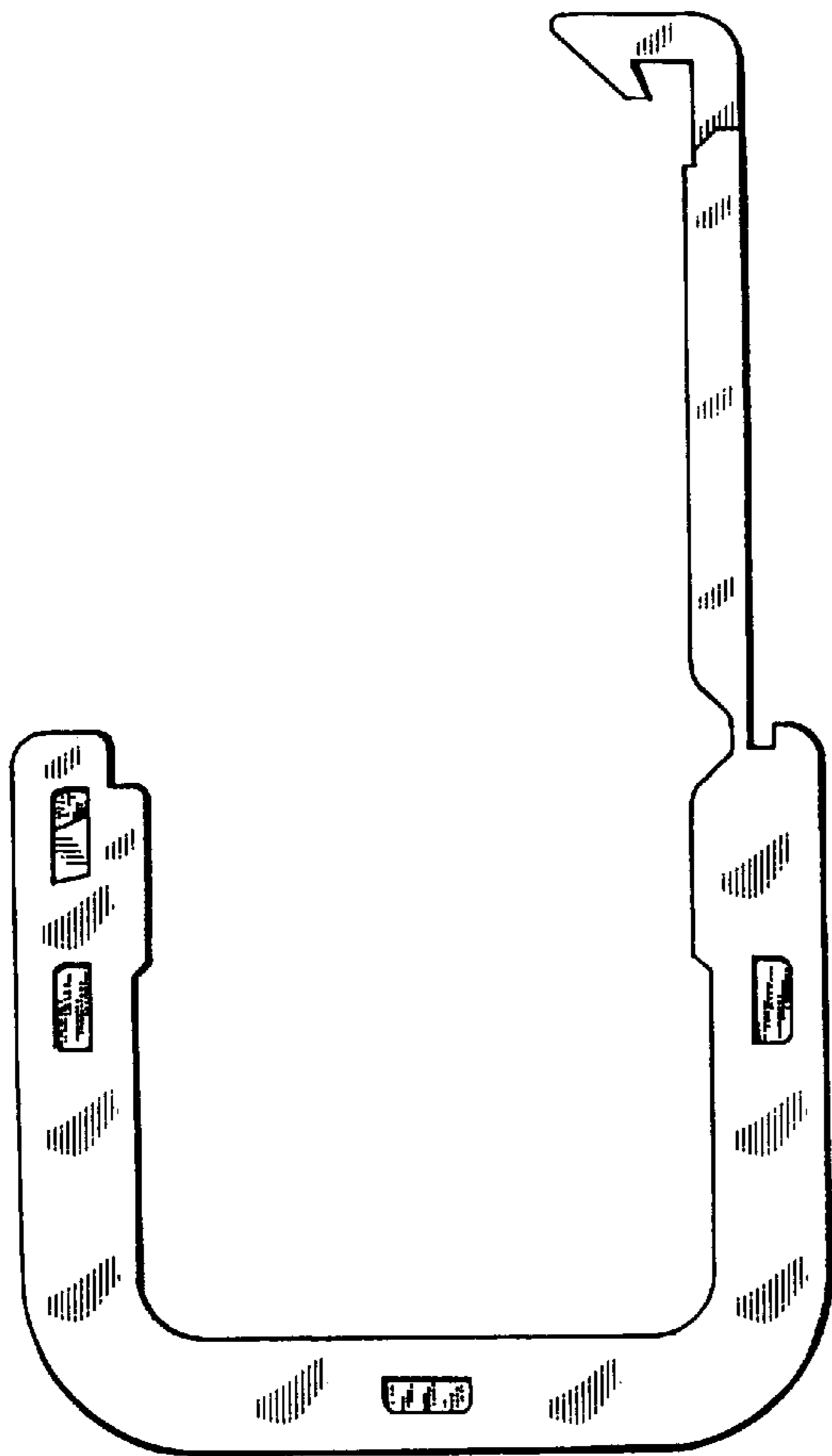


FIG.4

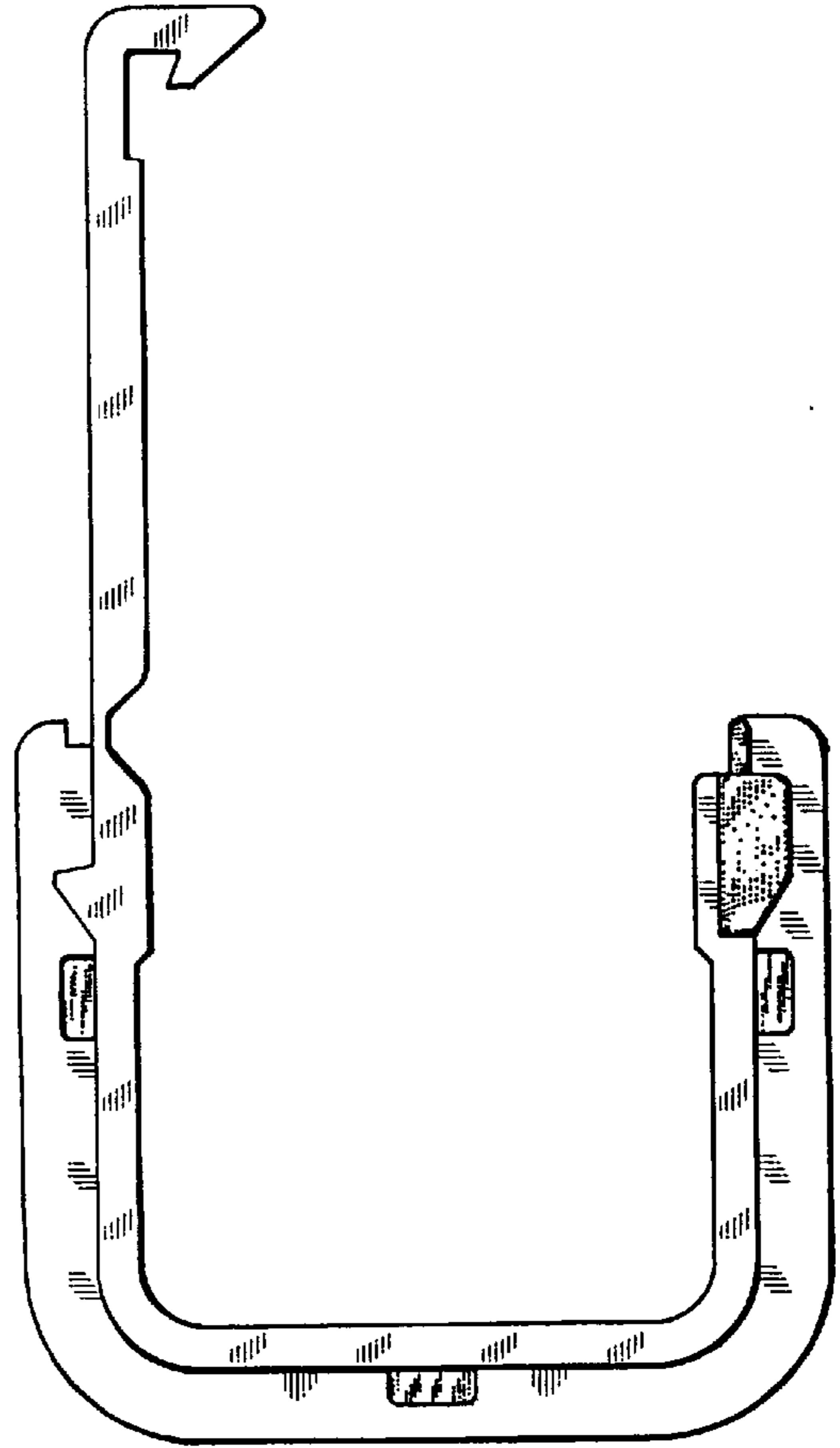


FIG.5

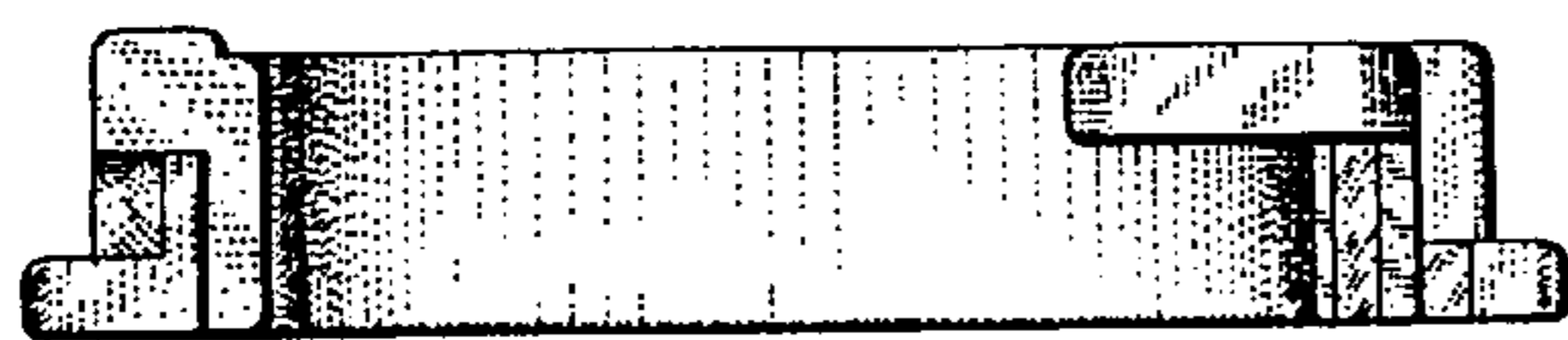


FIG.6

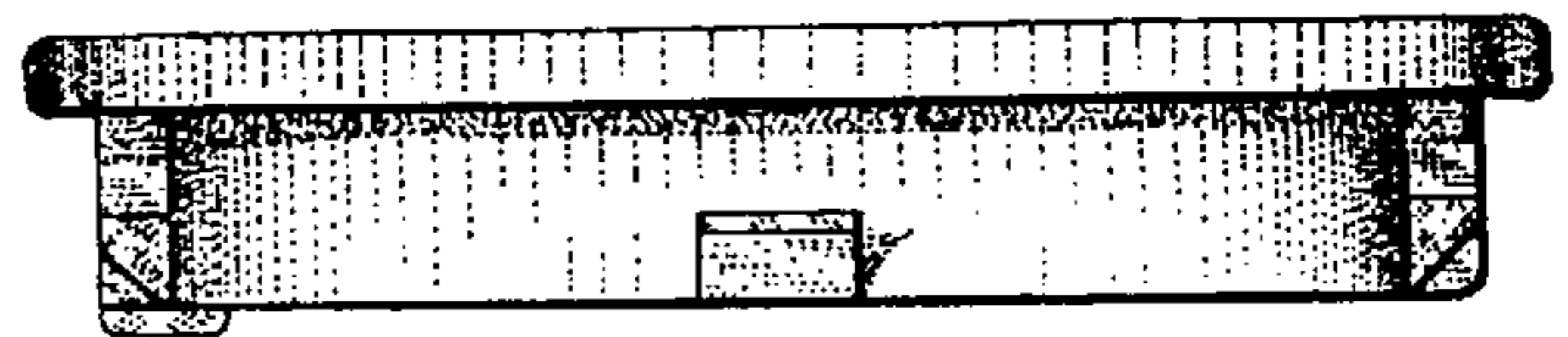


FIG.7

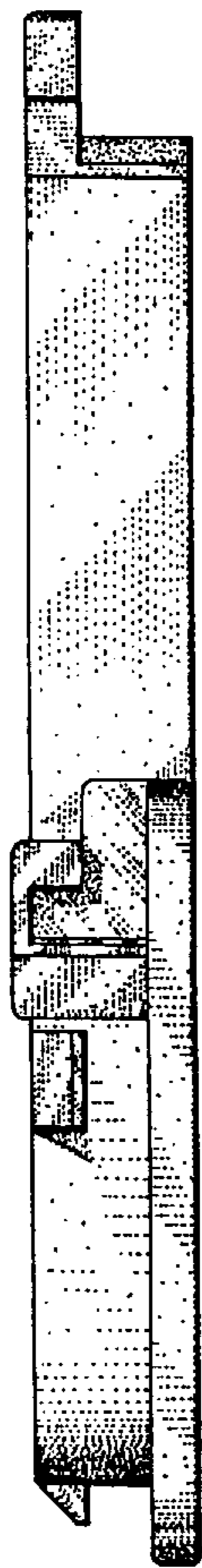


FIG.8



FIG.9

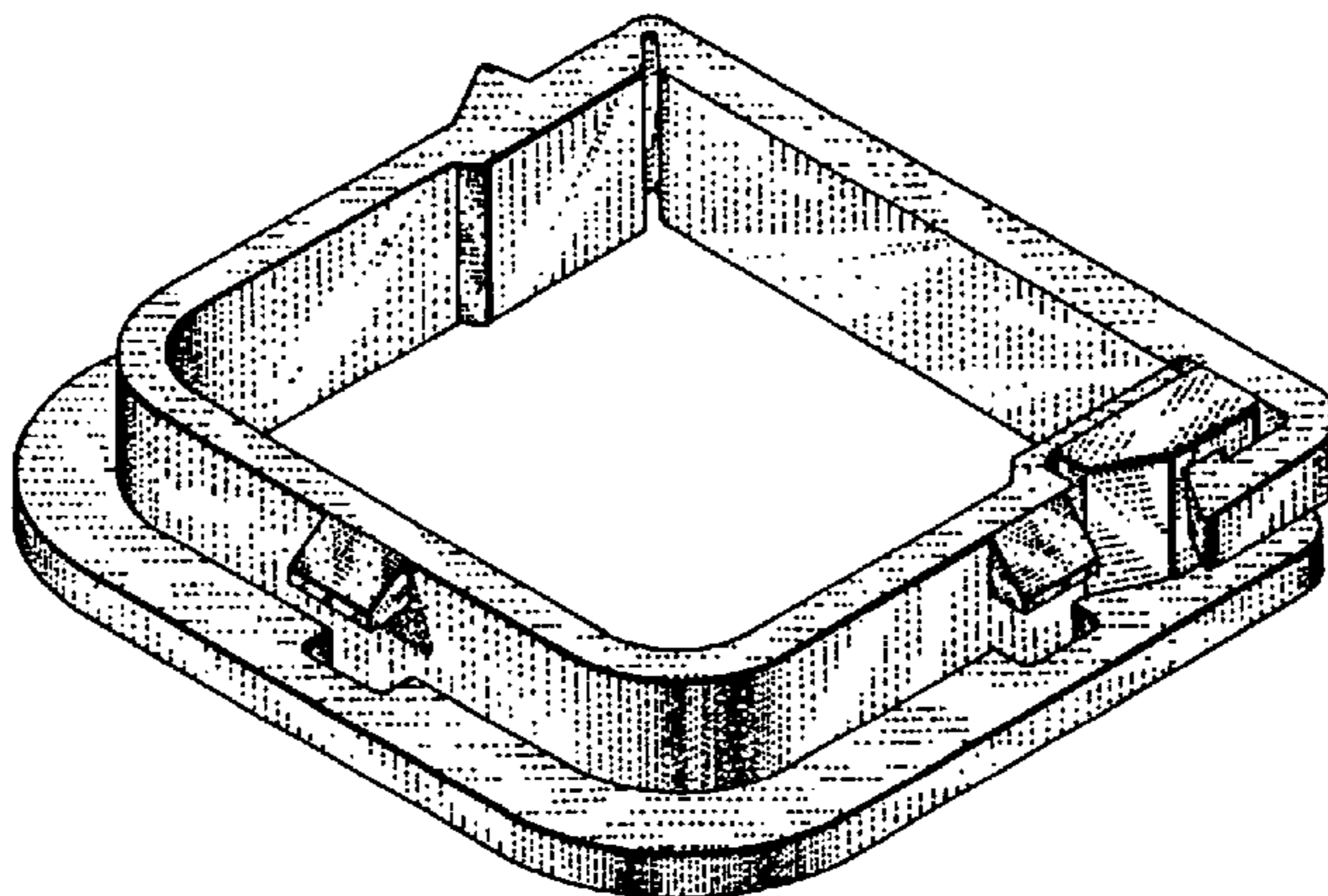


FIG.10



FIG.11

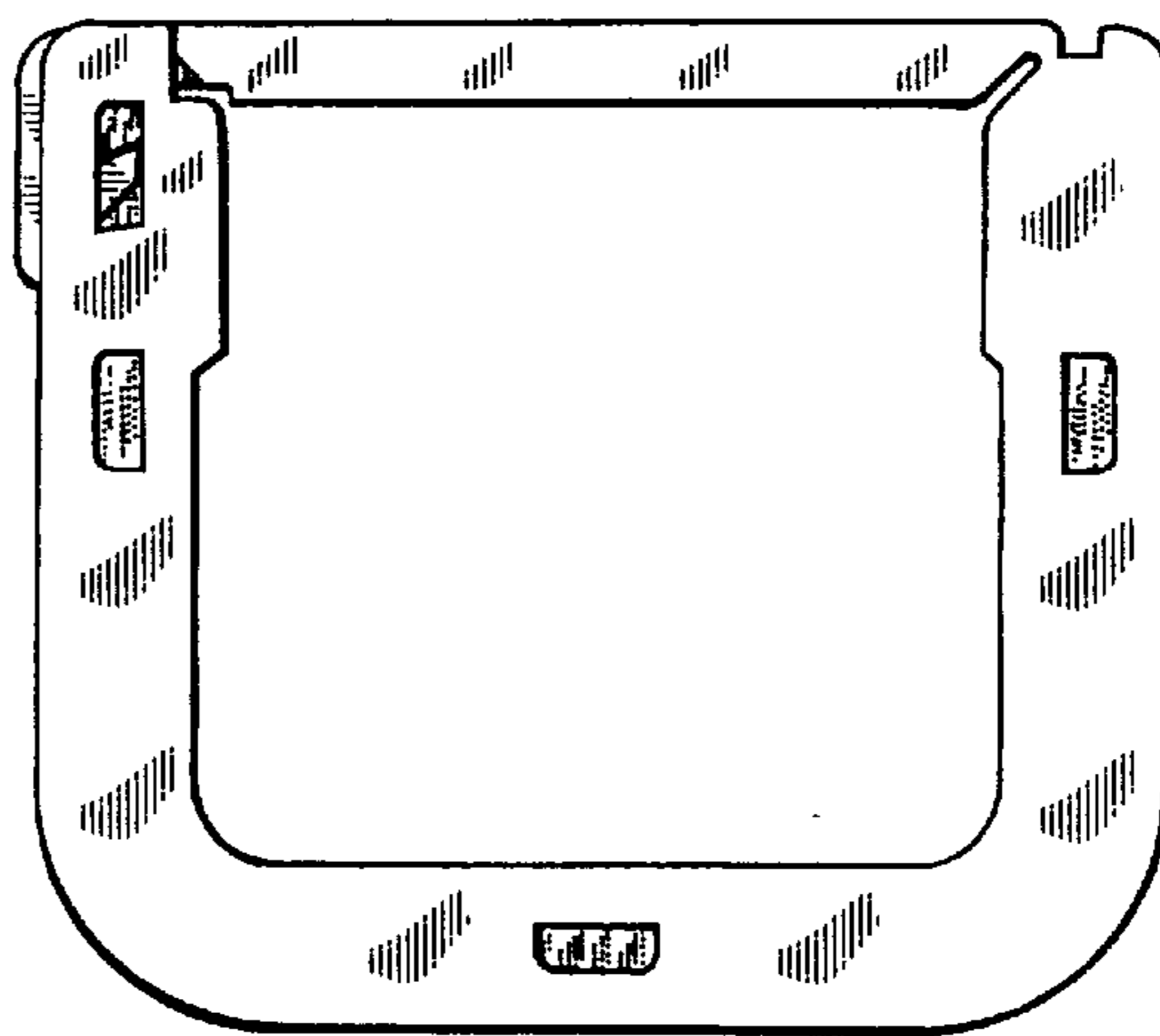


FIG.12

