



US00D403234S

# United States Patent [19]

[11] **Patent Number: Des. 403,234**

**Nagato**

[45] **Date of Patent: \*\*Dec. 29, 1998**

[54] **PROXIMITY-SENSOR MOUNT FOR A FLUID PRESSURE CYLINDER**

*Primary Examiner*—Holly Baynham  
*Attorney, Agent, or Firm*—Oblon, Spivak, McClelland, Maier & Neustadt, P.C.

[75] Inventor: **Yasuhiro Nagato**, Yawara-mura, Japan

[57] **CLAIM**

[73] Assignee: **SMC Corporation**, Tokyo, Japan

The ornamental design for proximity-sensor mount for a fluid pressure cylinder, as shown and described.

[\*\*] Term: **14 Years**

**DESCRIPTION**

[21] Appl. No.: **81,486**

FIG. 1 is a front elevational view of proximity-sensor mount for a fluid pressure cylinder embodying my new design; FIG. 2 is a top plan view thereof; FIG. 3 is a rear view thereof; FIG. 4 is a bottom view thereof; FIG. 5 is a left side view thereof; FIG. 6 is a cross-sectional view thereof taken along line 6—6 in FIG. 1; FIG. 7 is a top, front and left side perspective view thereof; and, FIG. 8 is a reduced scale environmental perspective view thereof.

[22] Filed: **Jan. 5, 1998**

[30] **Foreign Application Priority Data**

Jul. 4, 1997 [JP] Japan ..... 9-60611

[51] **LOC (6) Cl.** ..... **08-05**

[52] **U.S. Cl.** ..... **D8/354**

[58] **Field of Search** ..... D8/349, 356, 354, D8/394–396; 24/336, 339, 546; 248/68.1, 74.1–74.4, 224.51, 223.31, 224.61, 229.1, 316.1

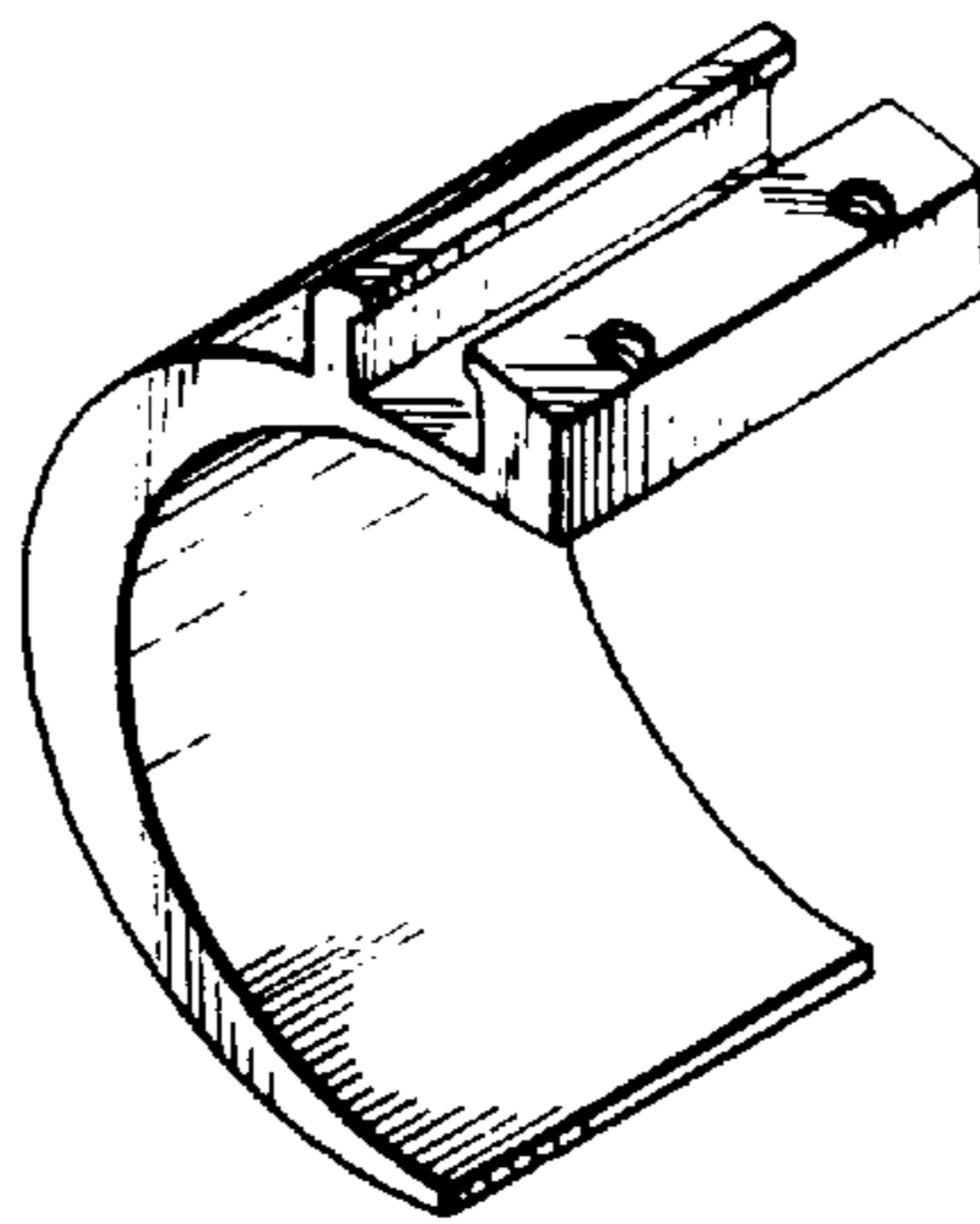
The proximity sensor, which is shown inserted into the proximity-sensor mount and a fluid pressure sensor shown in phantom lines in FIG. 8 are shown for illustrative purposes only and form no part of the claimed design.

[56] **References Cited**

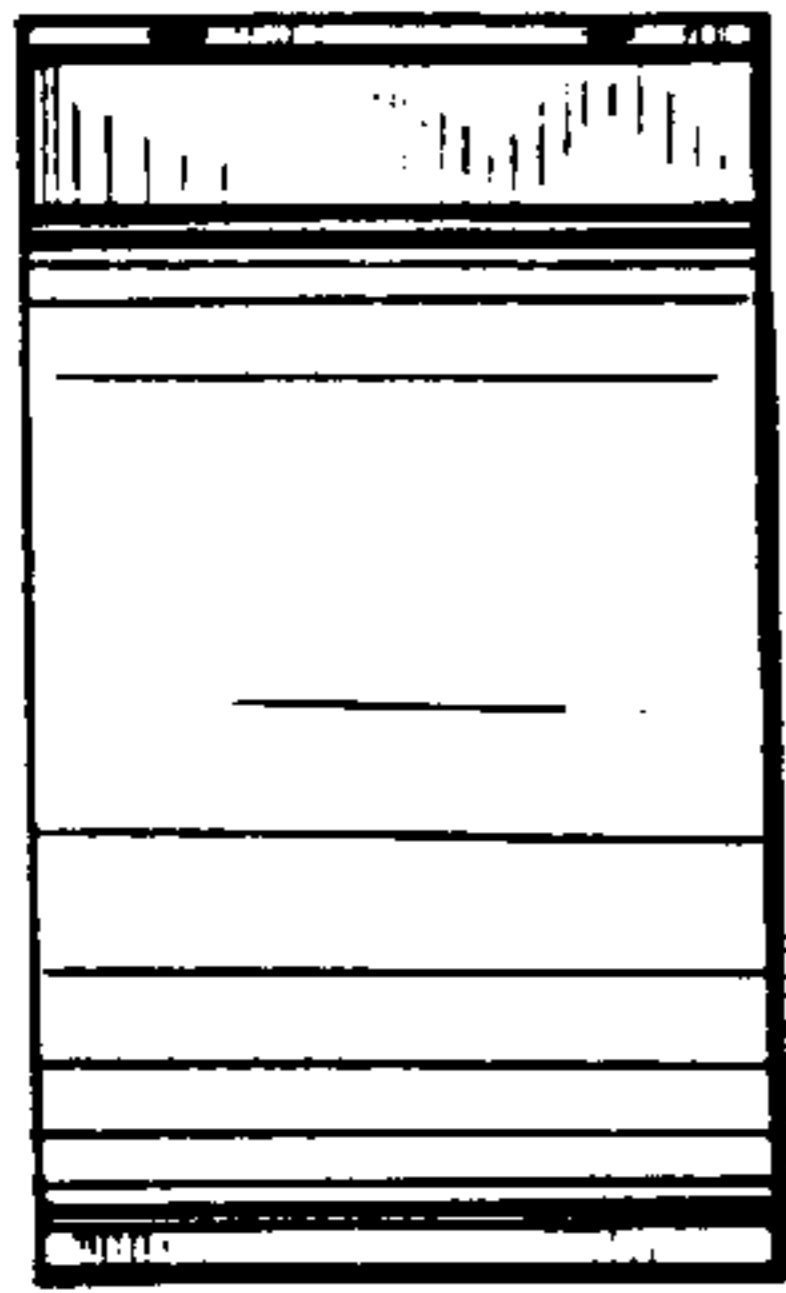
**U.S. PATENT DOCUMENTS**

D. 375,449 11/1996 Dahlberg ..... D8/349  
3,357,664 12/1967 Geyer ..... 248/74.4

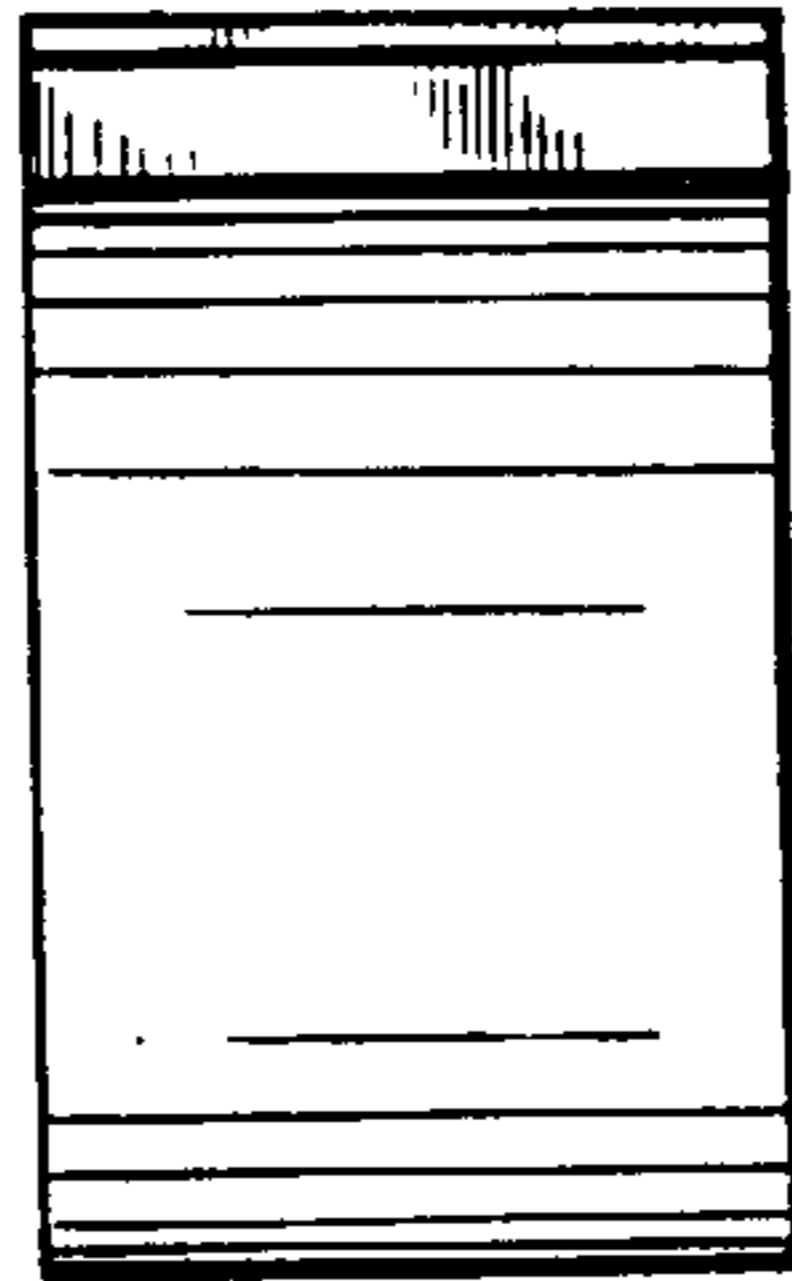
**1 Claim, 1 Drawing Sheet**



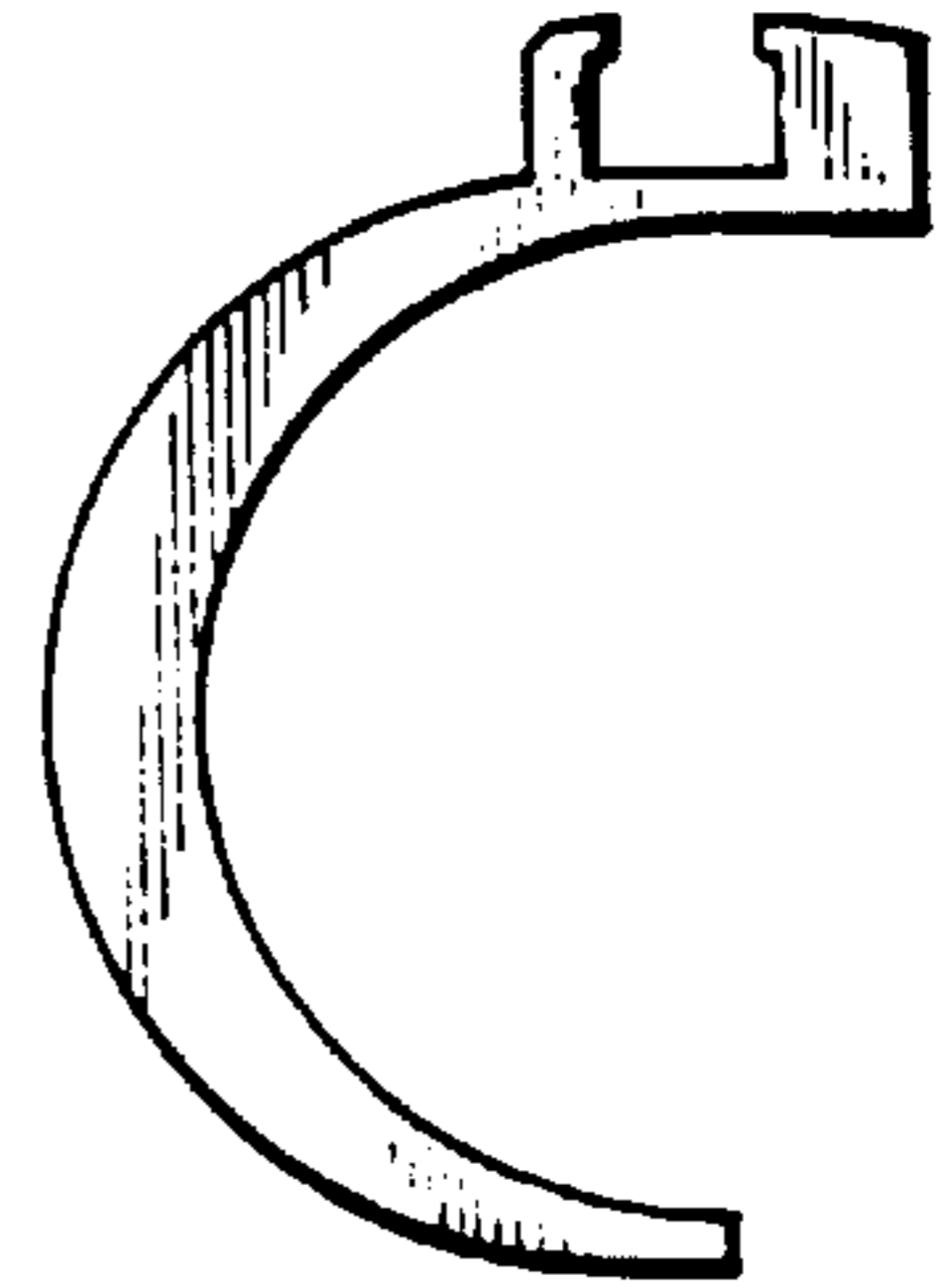
**FIG. 1** → 6



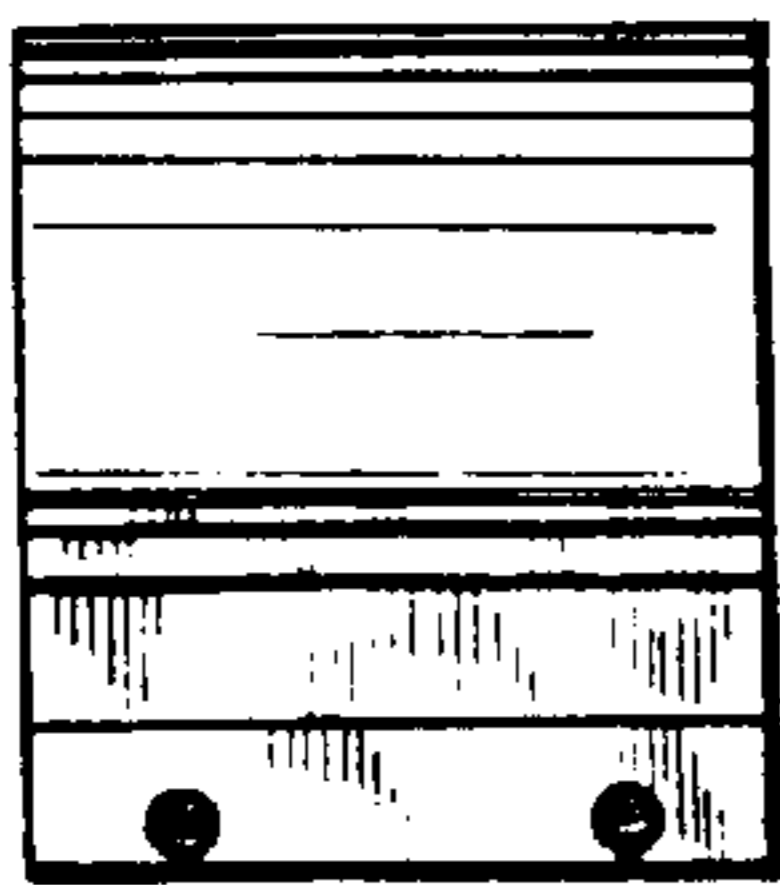
**FIG. 3**



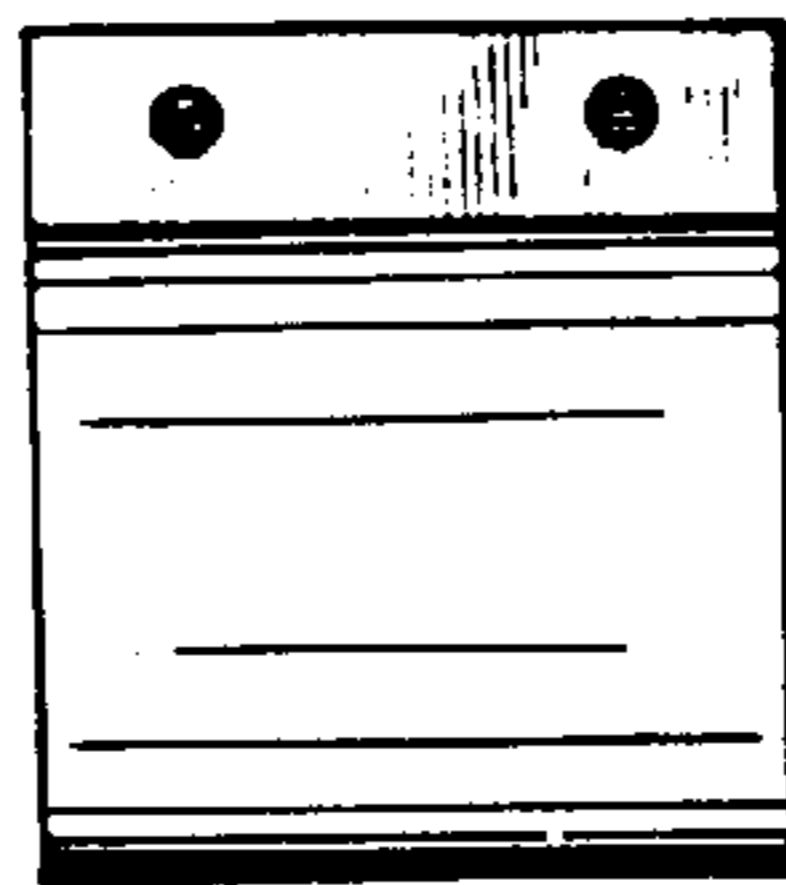
**FIG. 5**



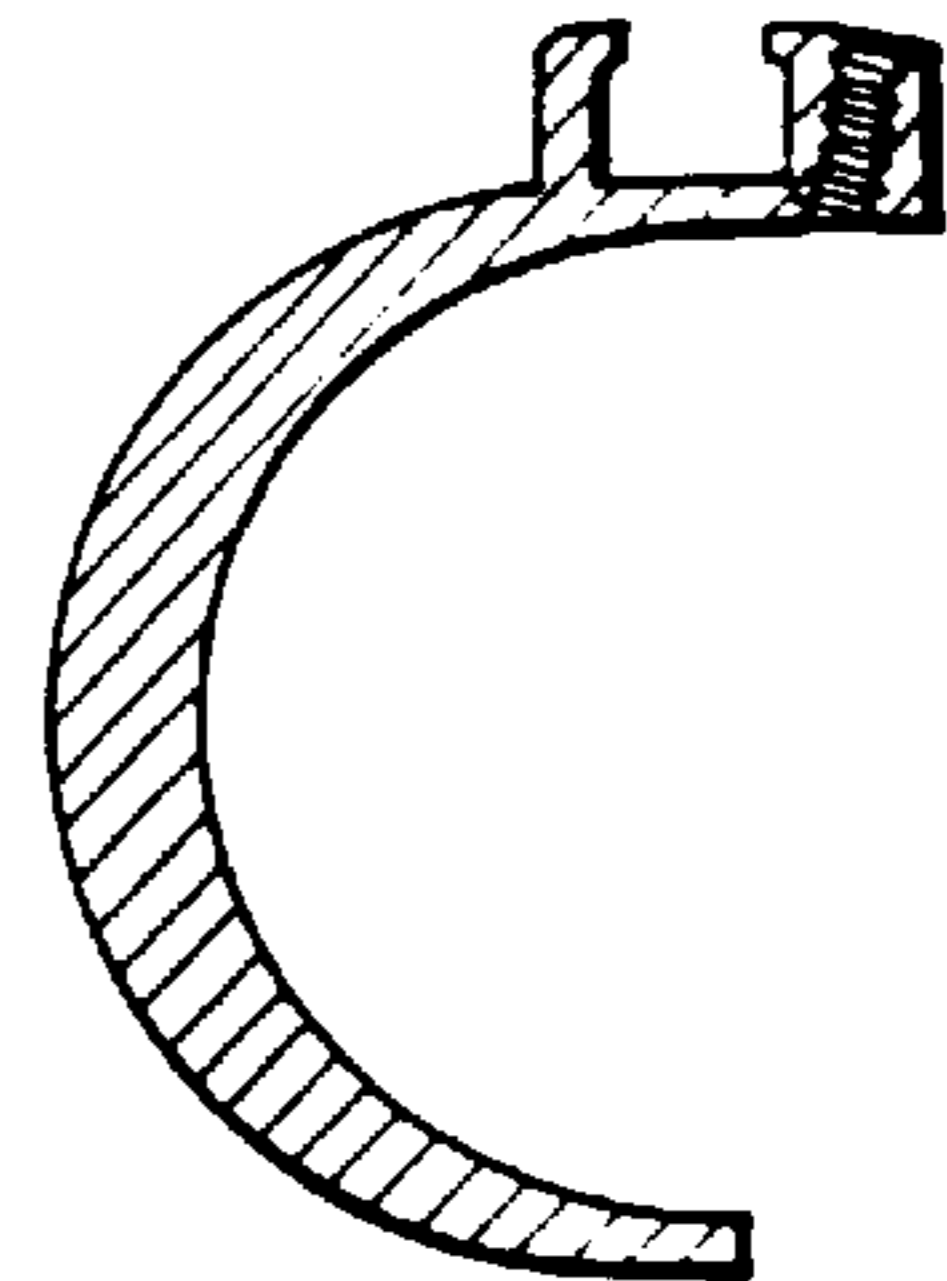
**FIG. 2**



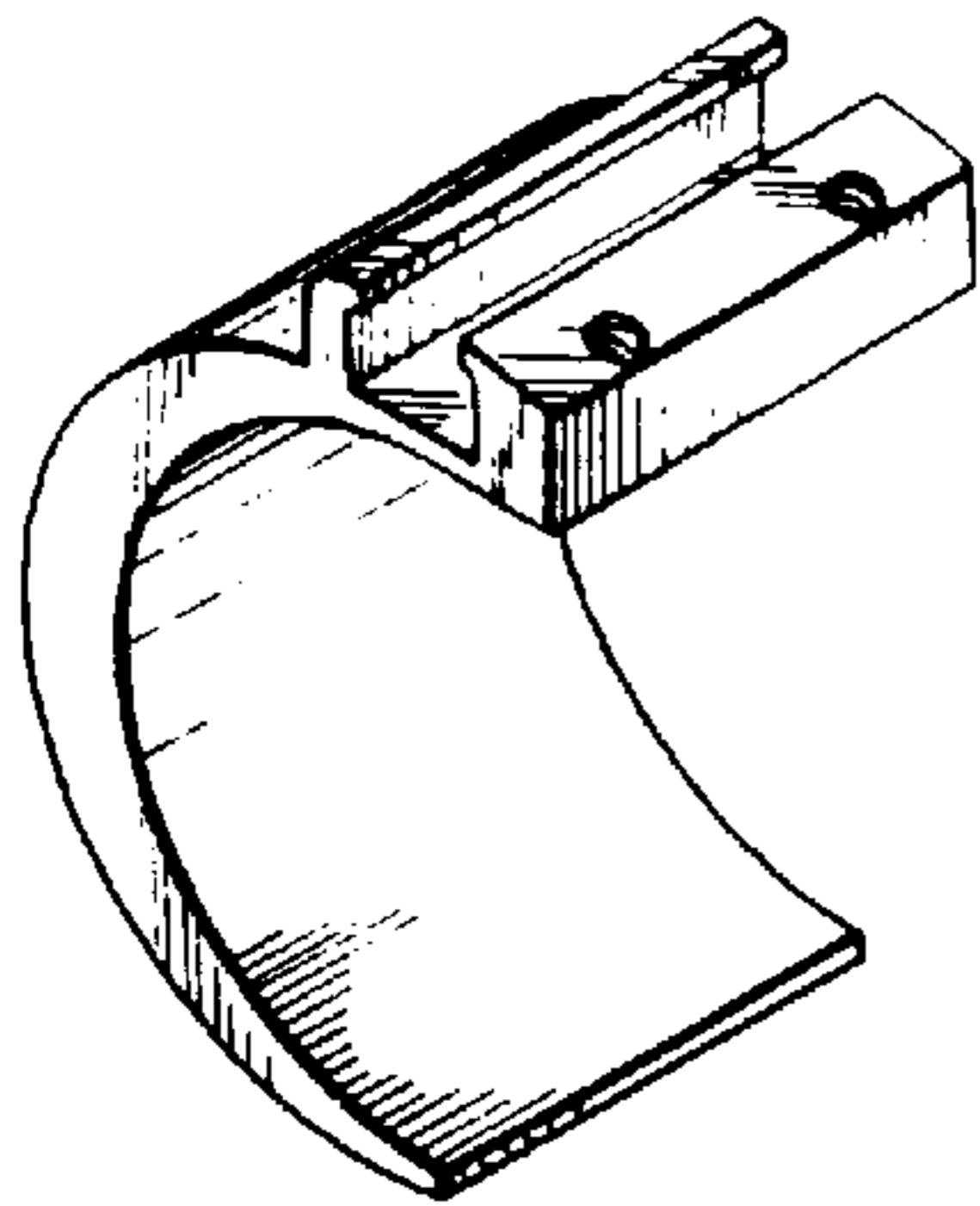
**FIG. 4**



**FIG. 6**



**FIG. 7**



**FIG. 8**

