



US00D403233S

United States Patent [19]

Nagato

[11] **Patent Number: Des. 403,233**

[45] **Date of Patent: **Dec. 29, 1998**

[54] **PROXIMITY-SENSOR MOUNT FOR A FLUID PRESSURE CYLINDER**

[75] Inventor: **Yasuhiro Nagato**, Yawara-mura, Japan

[73] Assignee: **SMC Corporation**, Tokyo, Japan

[**] Term: **14 Years**

[21] Appl. No.: **81,461**

[22] Filed: **Jan. 2, 1998**

[30] **Foreign Application Priority Data**

Jul. 4, 1997 [JP] Japan 9-60613

[51] **LOC (6) Cl.** **08-05**

[52] **U.S. Cl.** **D8/354**

[58] **Field of Search** D8/349, 356, 354, D8/394-396; 24/336, 339, 546; 248/68.1, 74.1-74.4, 224.51, 223.31, 224.61, 229.1, 316.1

[56] **References Cited**

U.S. PATENT DOCUMENTS

D. 375,449 11/1996 Dahlberg D8/349
3,357,664 12/1967 Geyer 248/74.4

Primary Examiner—Holly Baynham
Attorney, Agent, or Firm—Oblon, Spivak, McClelland, Maier & Neustadt, P.C.

[57] **CLAIM**

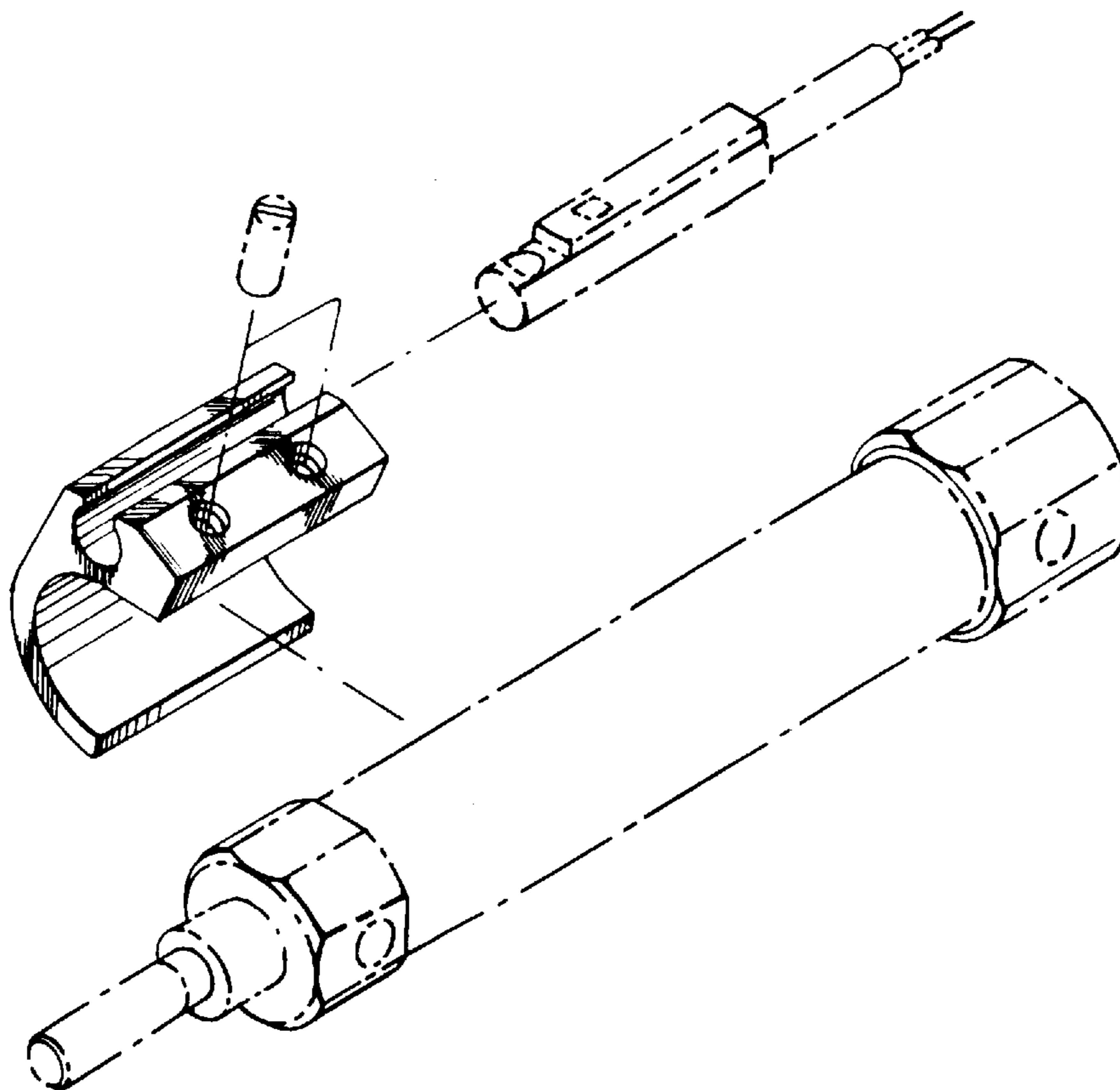
The ornamental design for proximity-sensor mount for a fluid pressure cylinder, as shown and described.

DESCRIPTION

FIG. 1 is a front elevational view of proximity-sensor mount for a fluid pressure cylinder embodying my new design; FIG. 2 is a rear elevational view thereof; FIG. 3 is a top plan view thereof; FIG. 4 is a bottom view thereof; FIG. 5 is a left side view thereof; FIG. 6 is a cross-sectional view thereof taken along line 6—6 in FIG. 1; and, FIG. 7 is a top, front and left side exploded perspective view thereof when in use with a proximity sensor and fluid pressure cylinder.

The proximity sensor, which is insertable into the proximity sensor mount, and the fluid pressure cylinder shown in FIG. 7 are shown for illustrative purposes only and form no part of the claimed design.

1 Claim, 1 Drawing Sheet



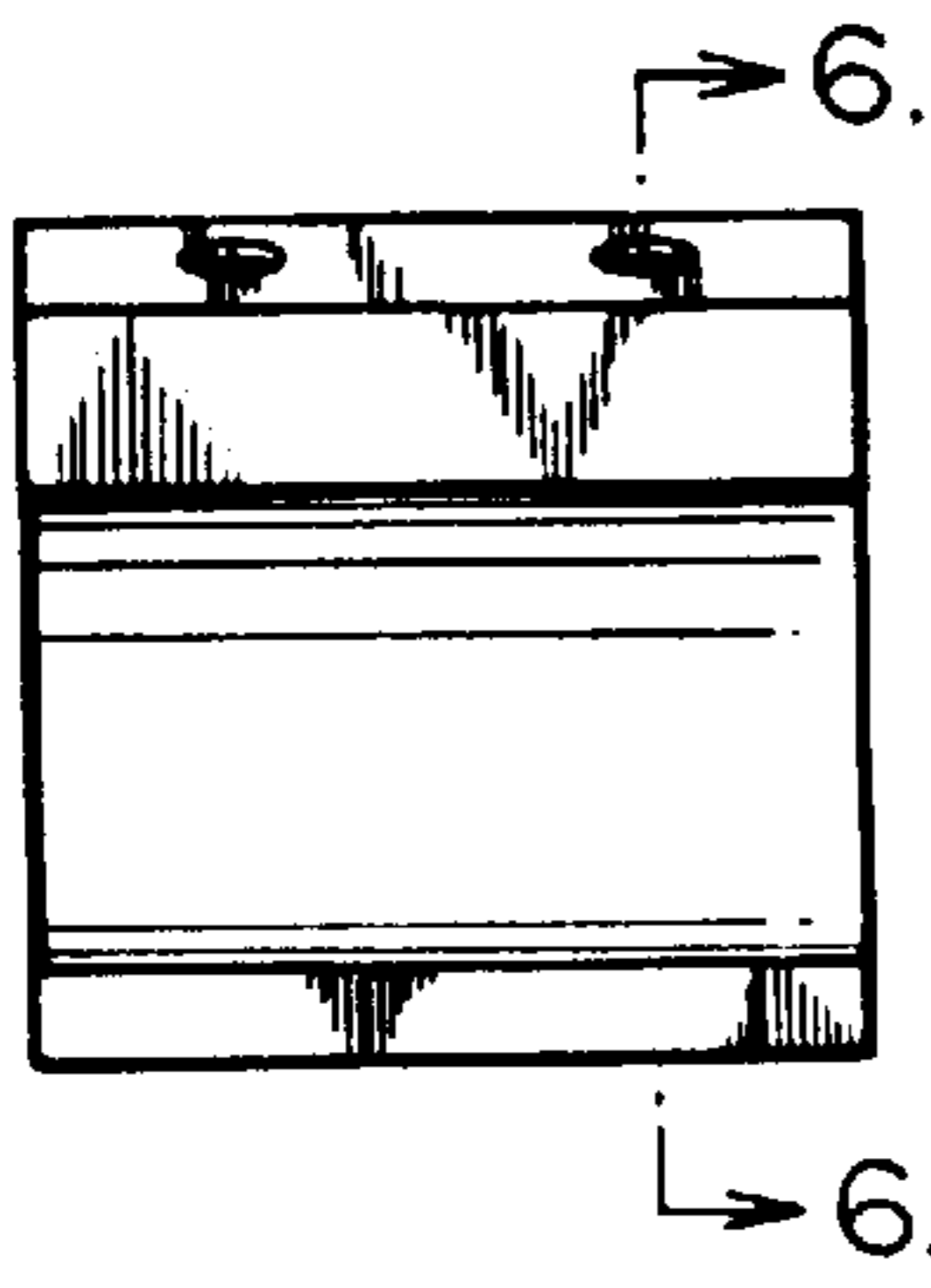


FIG. 1

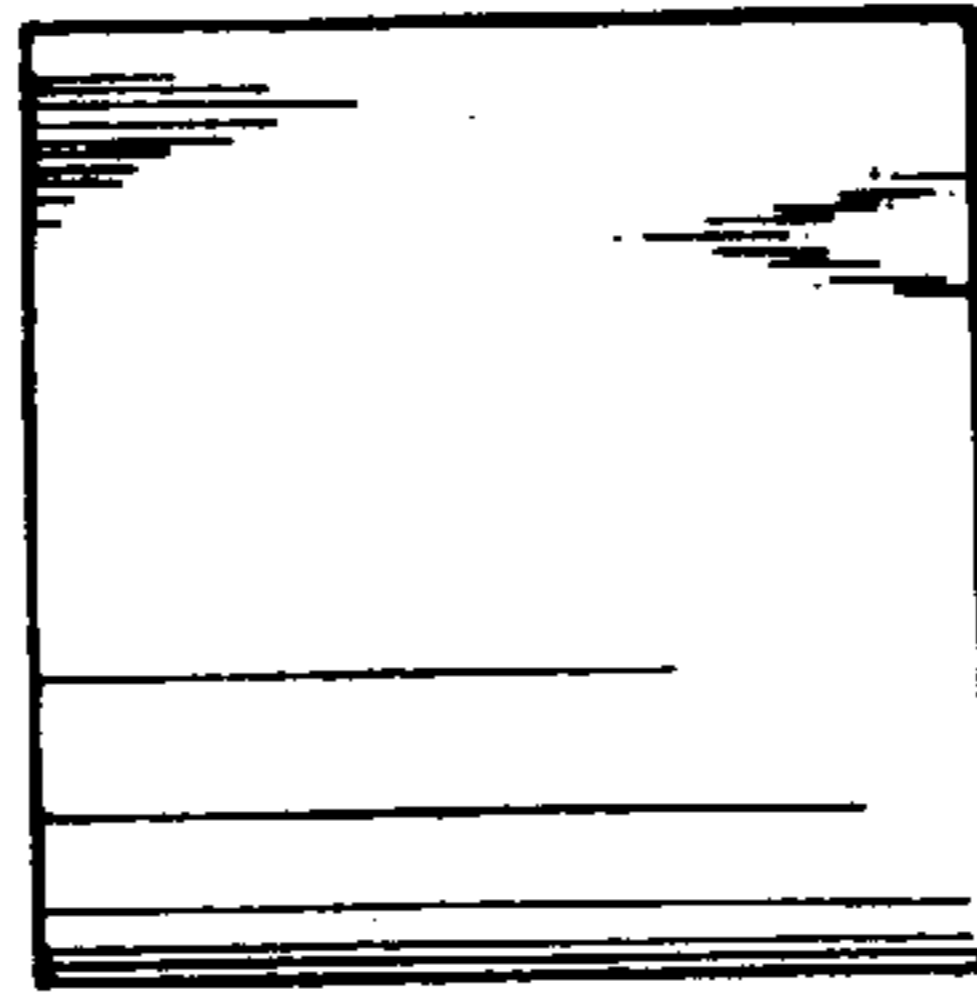


FIG. 2

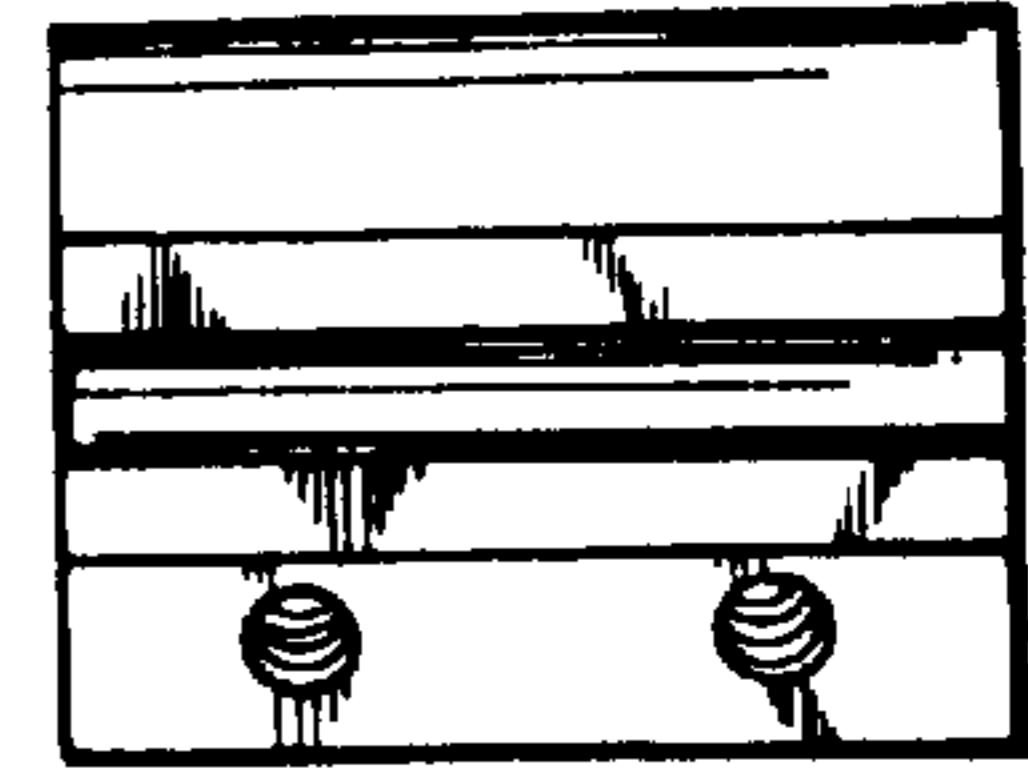


FIG. 3

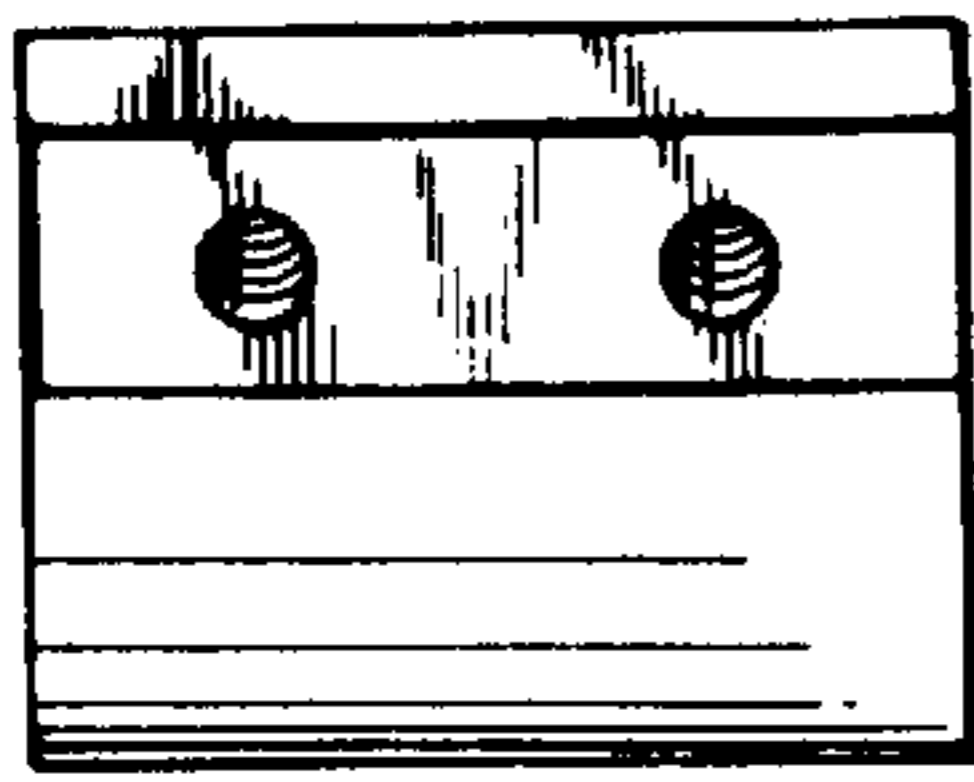


FIG. 4

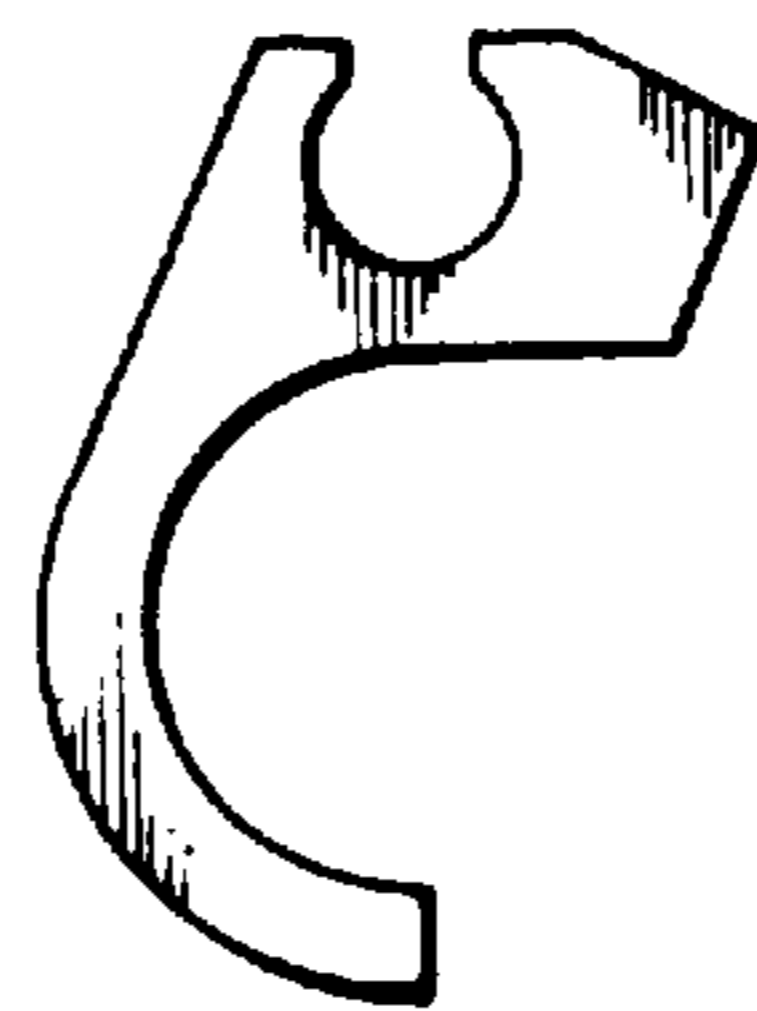


FIG. 5

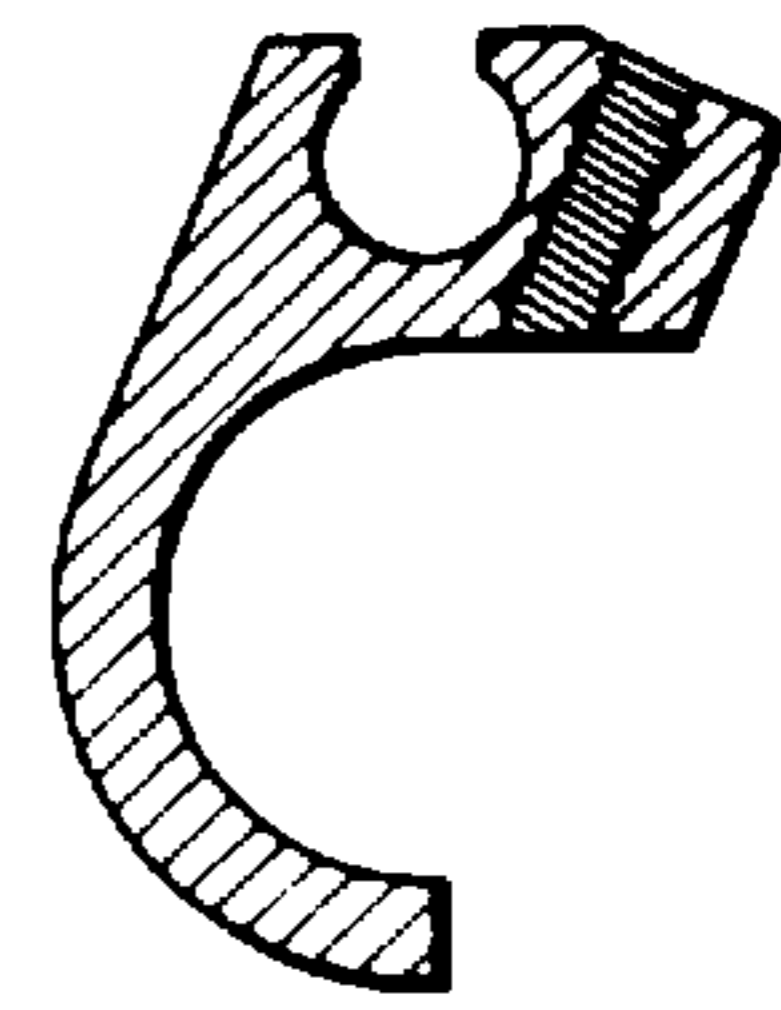


FIG. 6

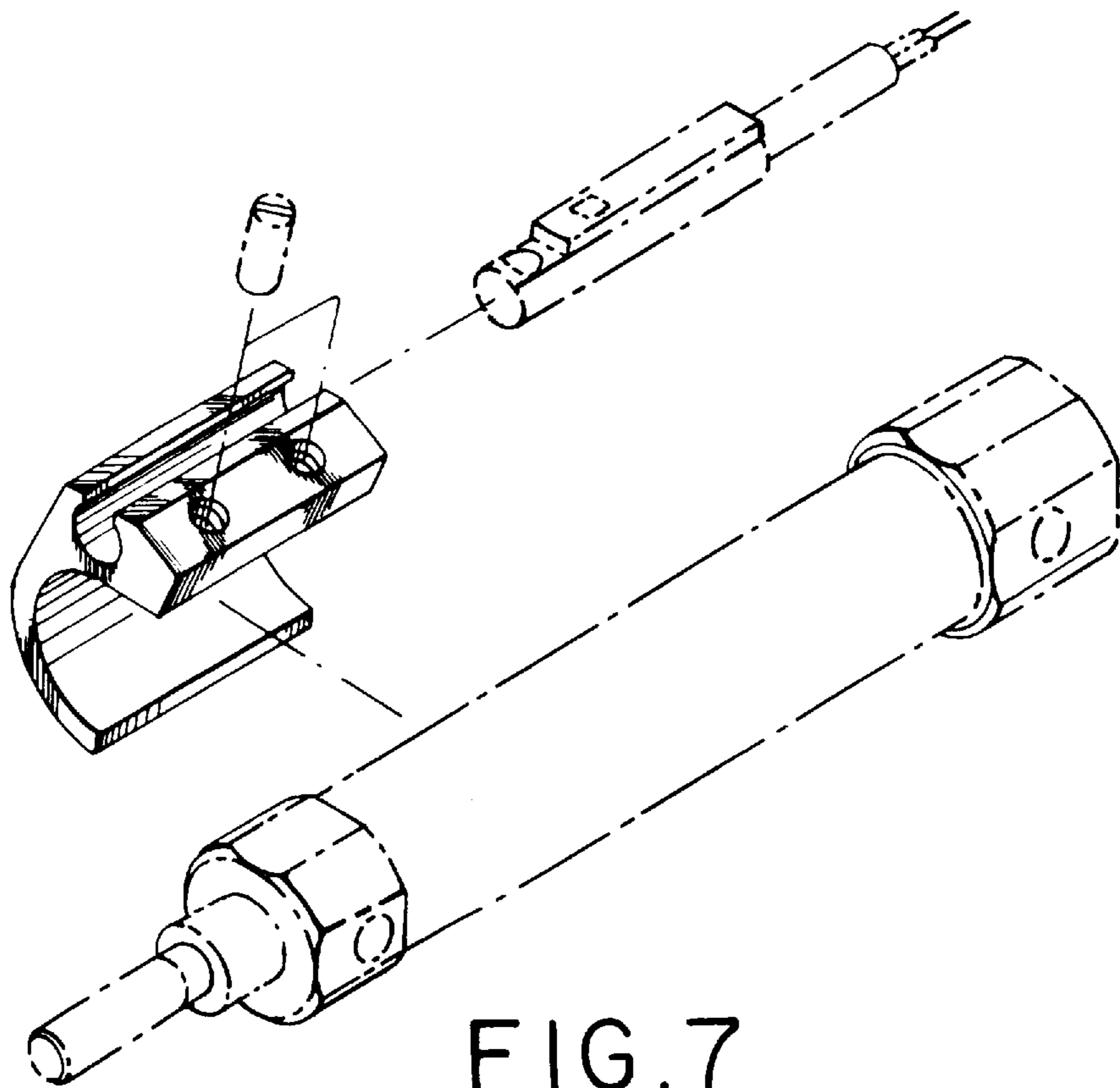


FIG. 7