

US00D403232S

United States Patent [19]
Fischer

[11] **Patent Number: Des. 403,232**

[45] **Date of Patent: **Dec. 29, 1998**

[54] **ARM FOR BRACKET UNIT**

Attorney, Agent, or Firm—Gregory J. Nelson

[76] Inventor: **Roy Fischer**, 7641 E. Gray Rd.,
Scottsdale, Ariz. 85260

[57] **CLAIM**

[**] Term: **14 Years**

I claim the ornamental design for an arm for bracket unit, as shown and described.

[21] Appl. No.: **71,768**

[22] Filed: **Jun. 6, 1997**

DESCRIPTION

[51] **LOC (6) Cl.** **08-05**

[52] **U.S. Cl.** **D8/349**

[58] **Field of Search** D8/349, 354; 248/300,
248/200, 201, 217

FIG. 1 is a perspective view showing the arm for bracket unit of my new design;

FIG. 2 is a top view thereof;

FIG. 3 is a bottom view thereof;

FIG. 4 is a side view thereof;

FIG. 5 is a front end view thereof; and,

FIG. 6 is a rear end view thereof.

[56] **References Cited**

U.S. PATENT DOCUMENTS

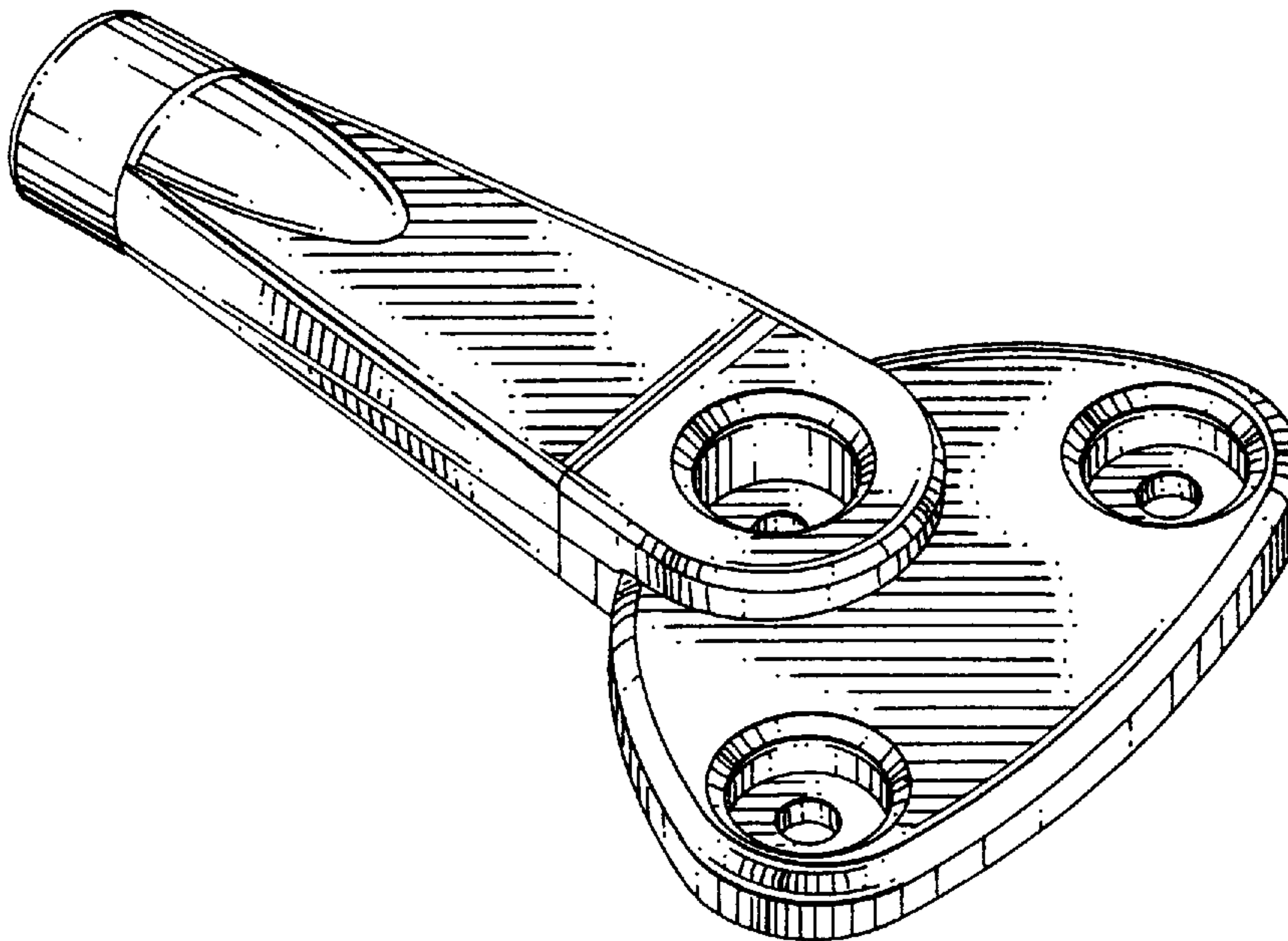
2,568,896 9/1951 Morgan et al. 248/200 X

OTHER PUBLICATIONS

Drug Specialties, p. 339, mounting bracket, item A located at left of page, Jan. 1995.

Primary Examiner—Holly Baynham

1 Claim, 1 Drawing Sheet



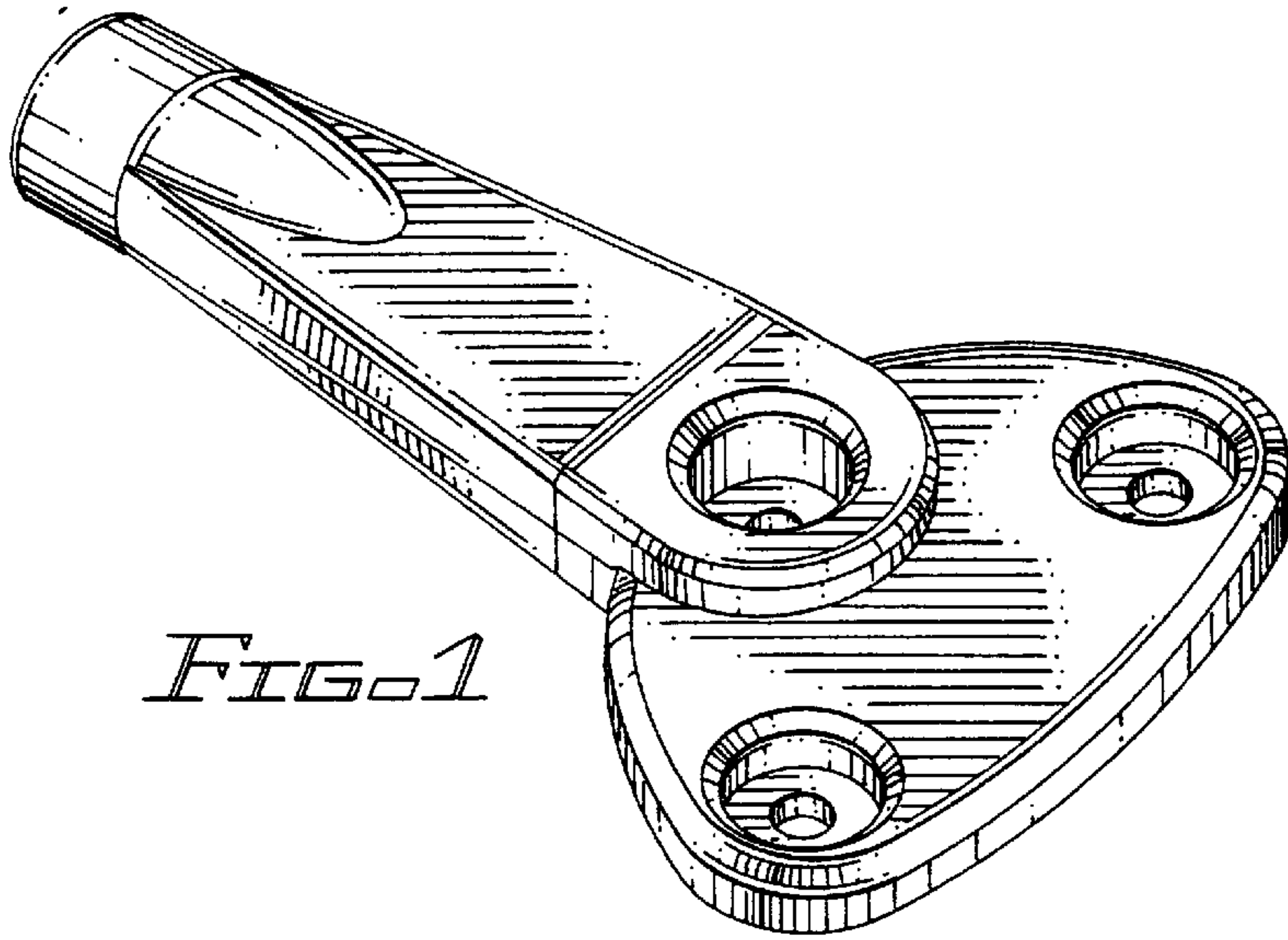


FIG. 1

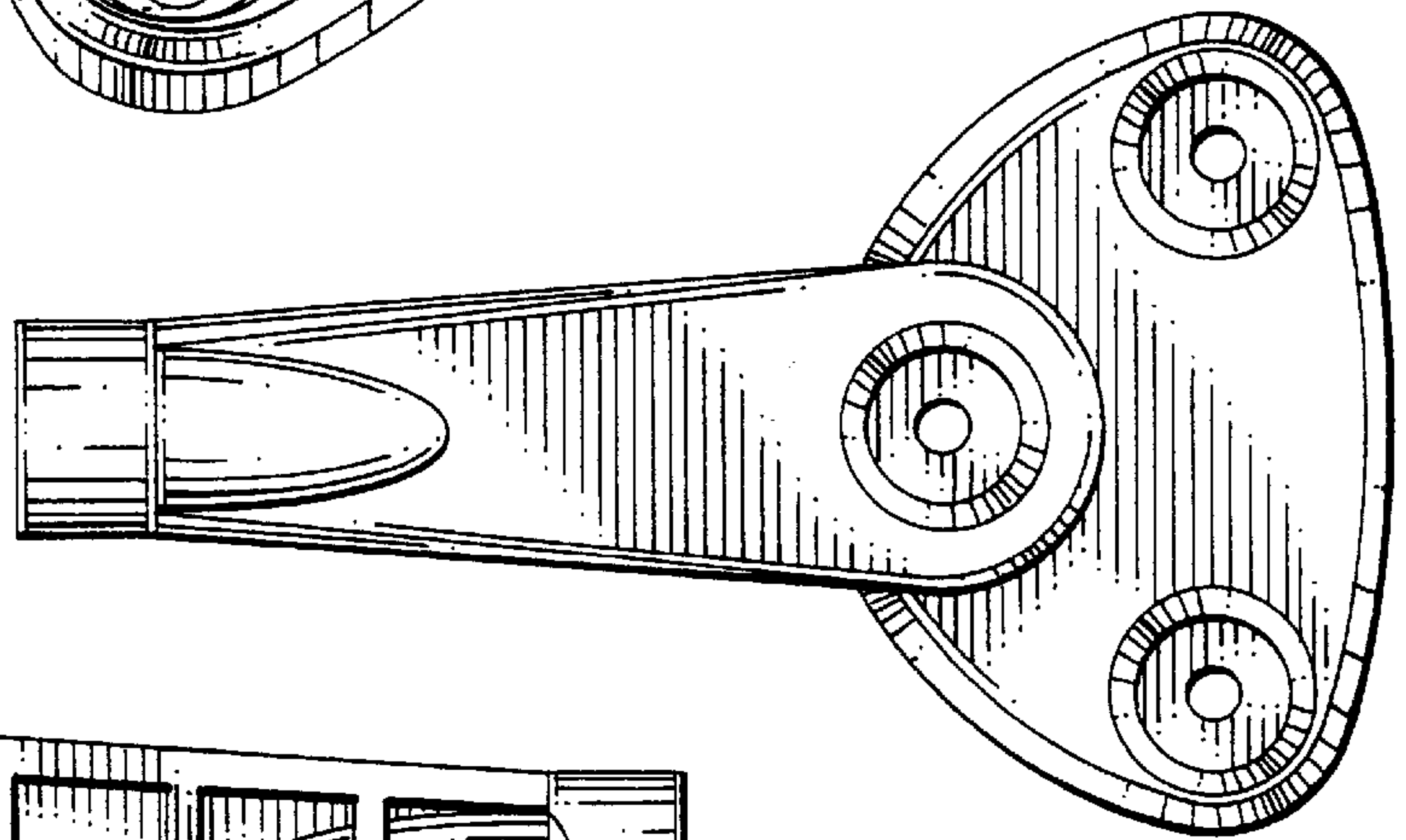


FIG. 2

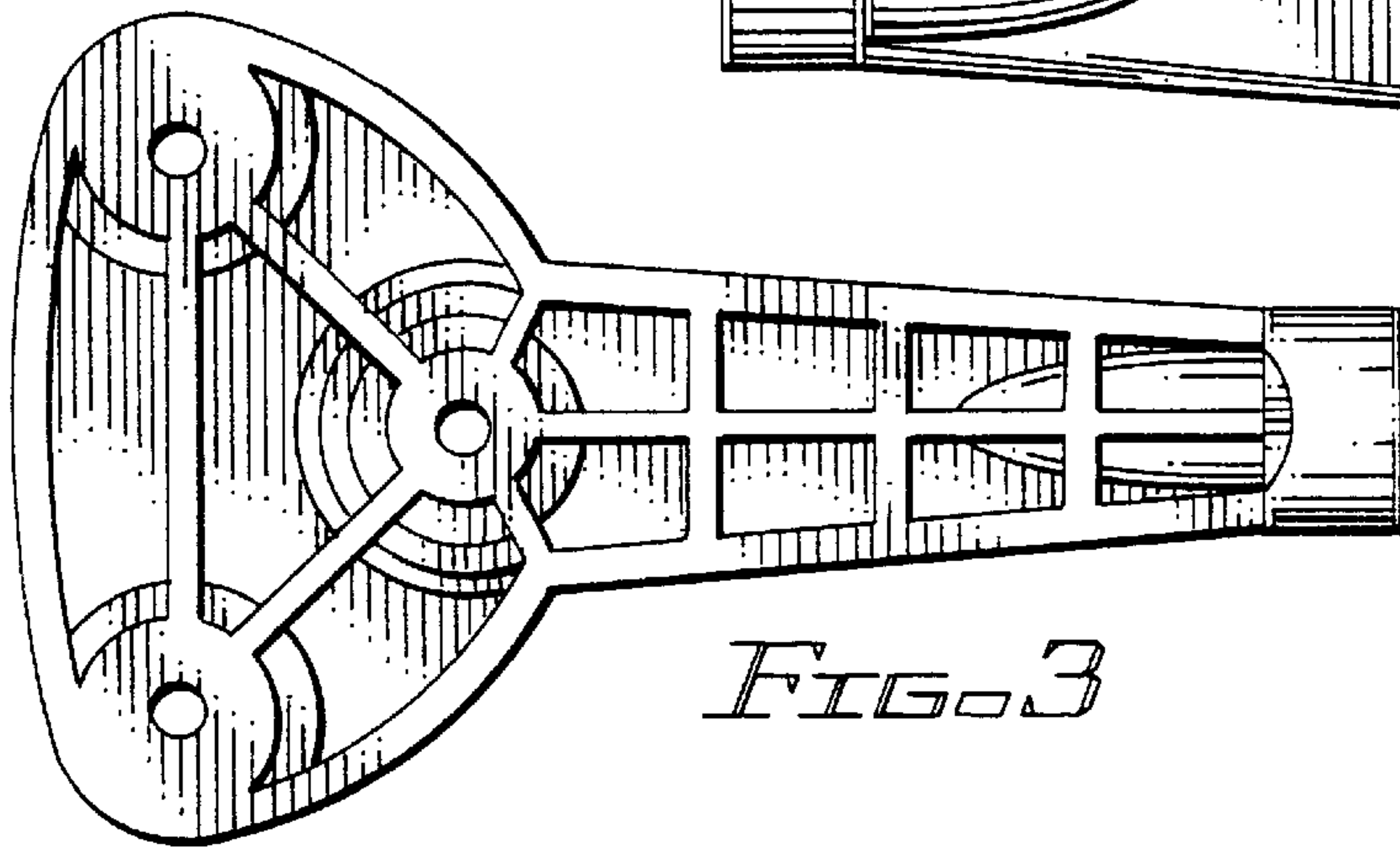


FIG. 3

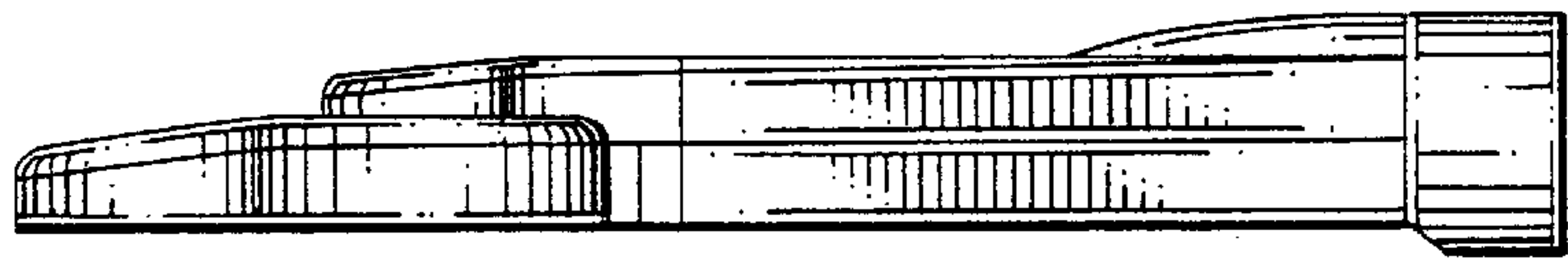


FIG. 4

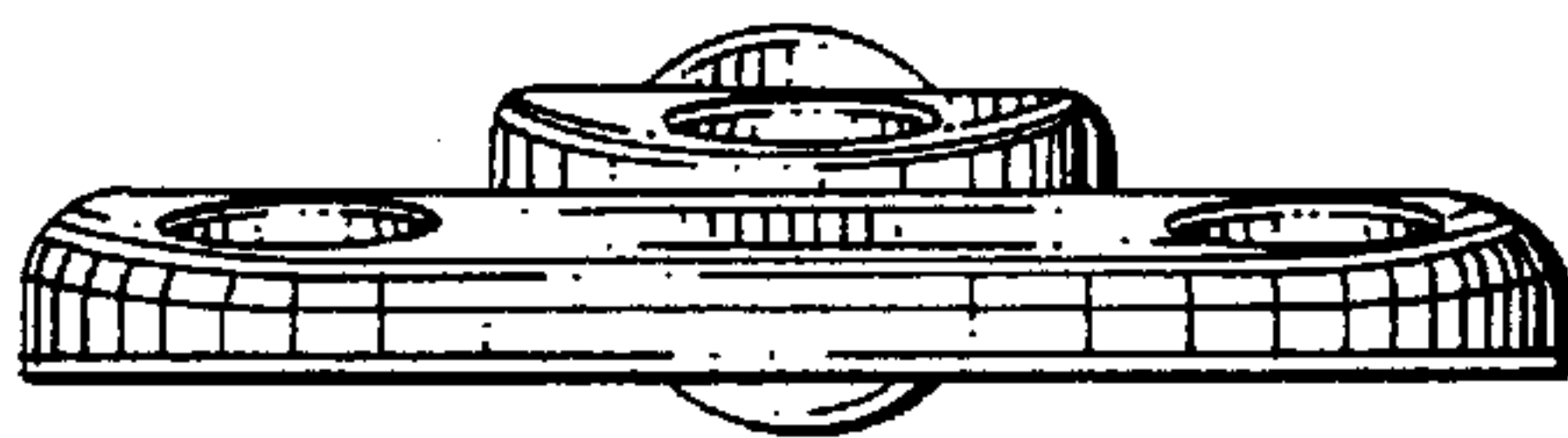


FIG. 5



FIG. 6