



US00D403230S

# United States Patent [19]

Ziemer et al.

[11] **Patent Number: Des. 403,230**

[45] **Date of Patent: \*\*Dec. 29, 1998**

[54] **HANDLE**

[75] Inventors: **Lynn B. Ziemer**, Ridley Park, Pa.;  
**Andres A. Bolinas**, Claymont, Del.;  
**Stefan Matthew Koveal**, Glen Mills, Pa.

[73] Assignee: **Southco, Inc.**, Concordville, Pa.

[\*\*] Term: **14 Years**

[21] Appl. No.: **76,525**

[22] Filed: **Sep. 12, 1997**

[51] **LOC (6) Cl.** ..... **08-06**

[52] **U.S. Cl.** ..... **D8/317**

[58] **Field of Search** ..... D8/300, 315-320;  
16/110 R, 111 R, 124

[56] **References Cited**

**U.S. PATENT DOCUMENTS**

- D. 200,953 4/1965 Menezes et al. .
- D. 296,073 6/1988 Rhodes ..... D8/316
- D. 343,107 1/1994 Fulton ..... D8/315
- D. 380,956 7/1997 Collins .

**OTHER PUBLICATIONS**

National Lock—Solid Brass Collections; p. 3; Pull V6800-3.

Do-It-Yourself Retailing; p. 127; Pull (bottom of ad), Nov. 1986.

Southco Latches and Access Hardware, Handbook 43, 1993, p. L-6.

*Primary Examiner*—B. J. Bullock  
*Attorney, Agent, or Firm*—Paul & Paul

[57] **CLAIM**

The ornamental design for a handle, as shown and described.

**DESCRIPTION**

FIG. 1 is a perspective view of a handle, as showing our new design;

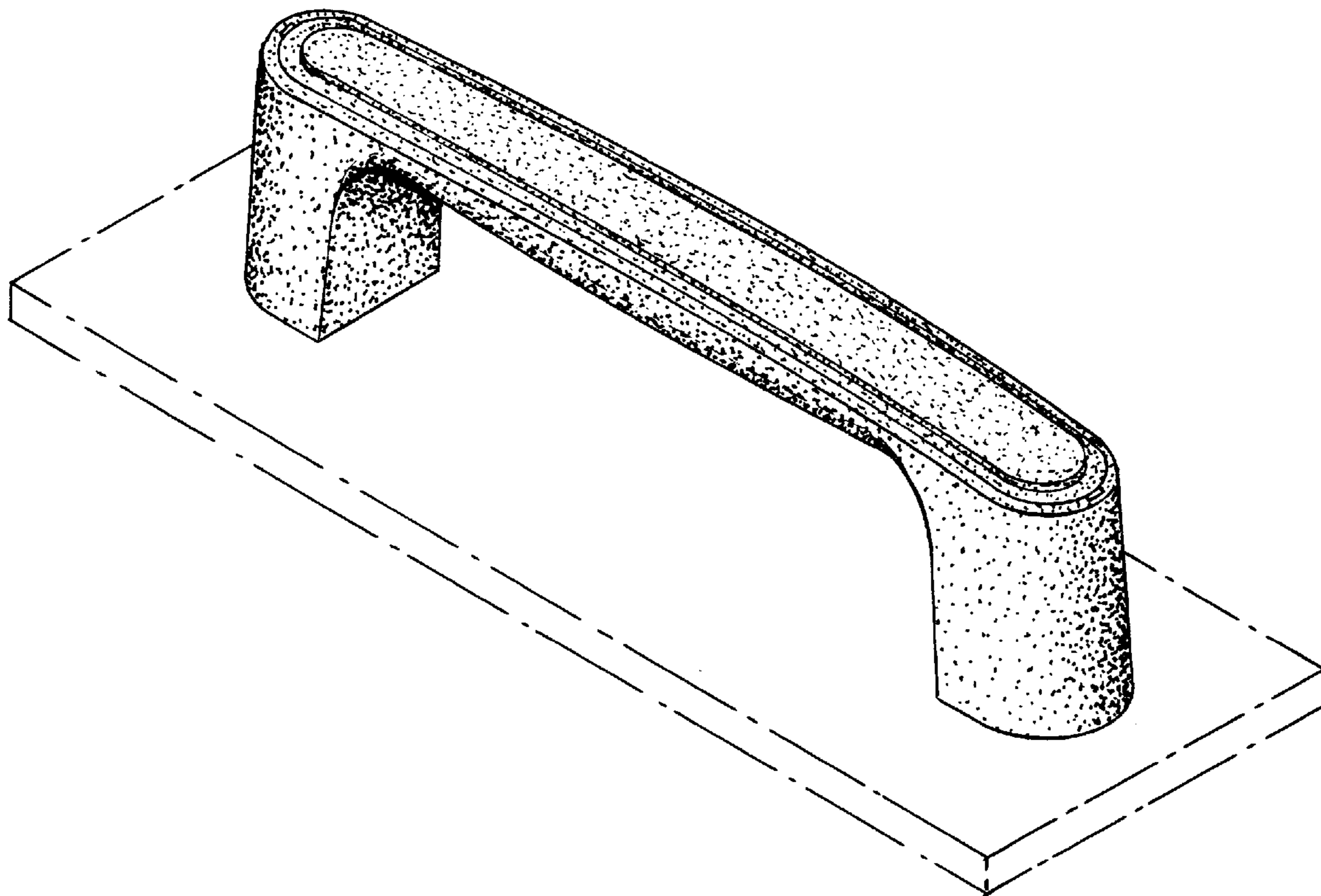
FIG. 2 is a top plan view thereof;

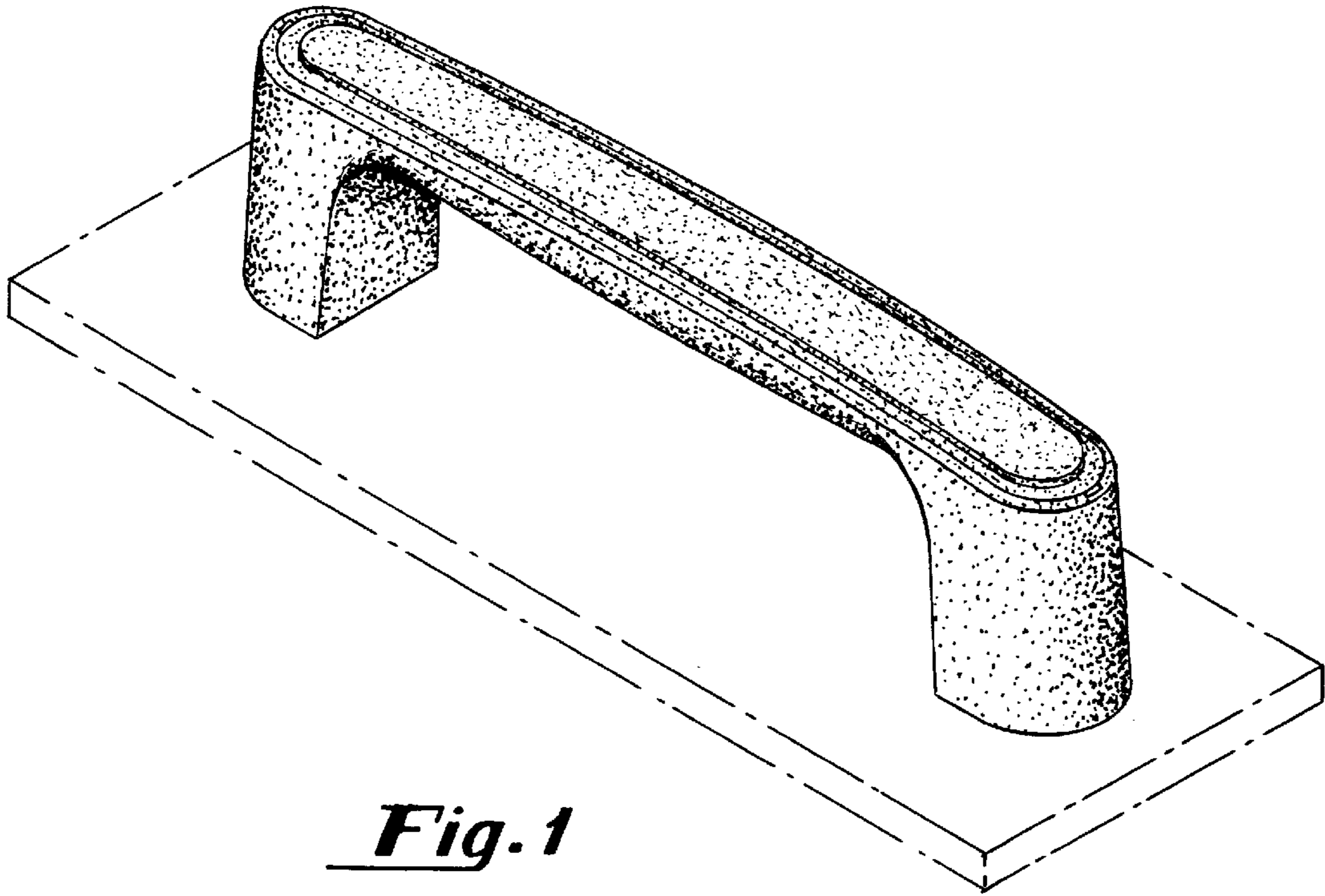
FIG. 3 is a front elevational view thereof, the rear elevational view is a mirror image of that shown;

FIG. 4 is a side elevational view thereof, the opposite side is a mirror image of that shown; and,

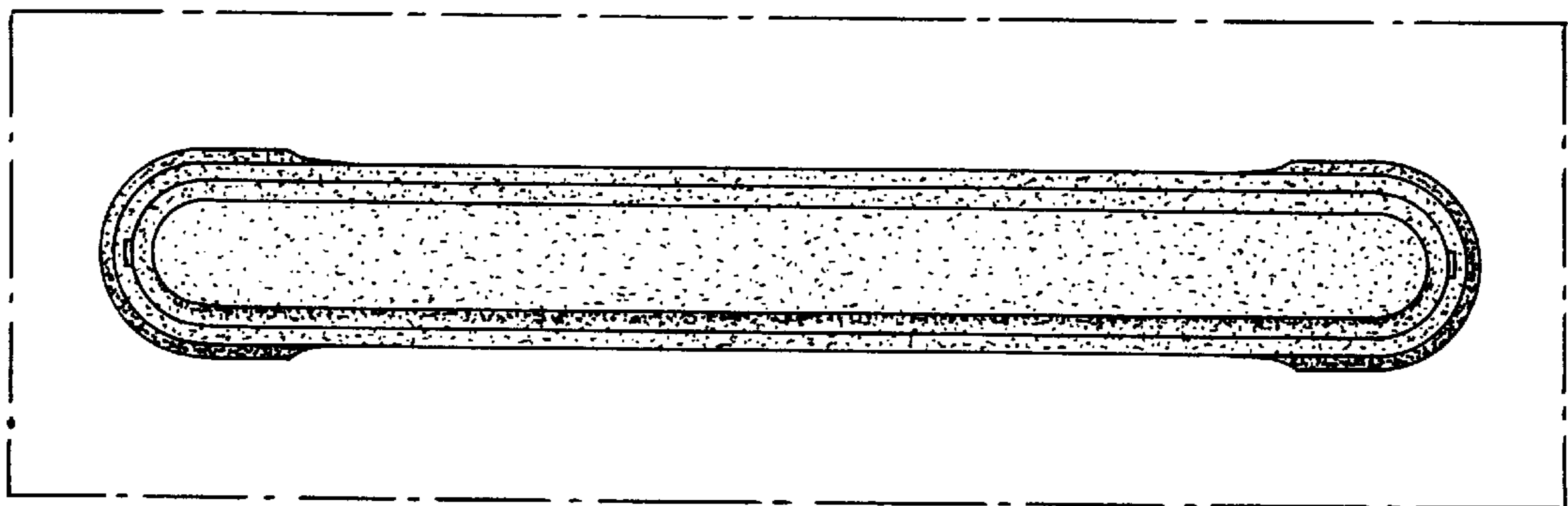
FIG. 5 is a fragmentary, top plan view of a second embodiment of a handle, the only difference being the elimination of the square shaped notch at both ends, it being understood that the rest of the handle is the same as shown in the embodiment of FIG. 1.

**1 Claim, 2 Drawing Sheets**

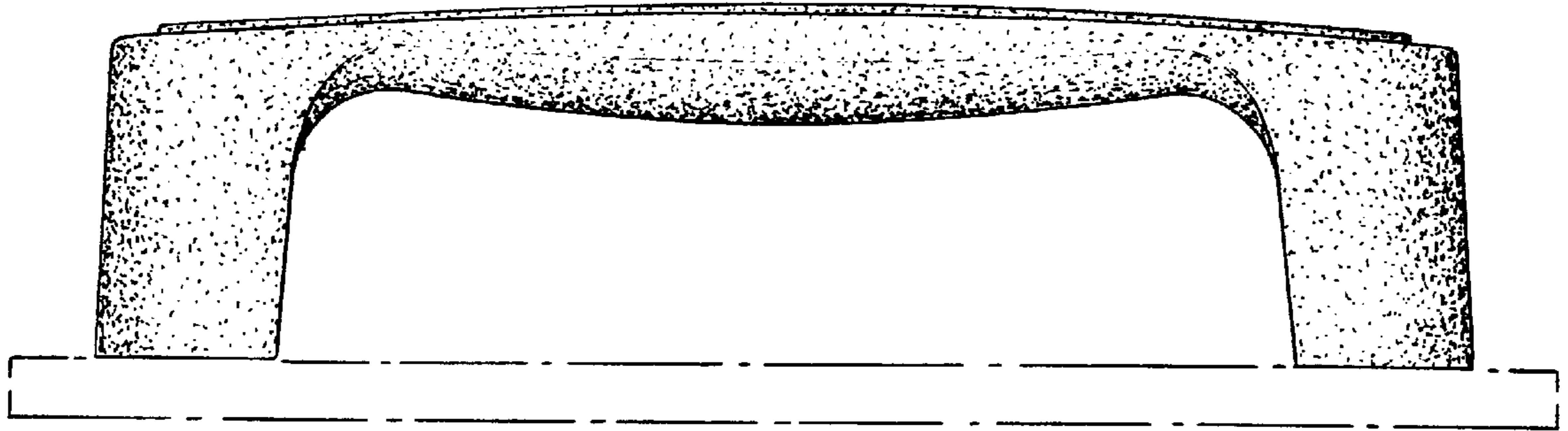




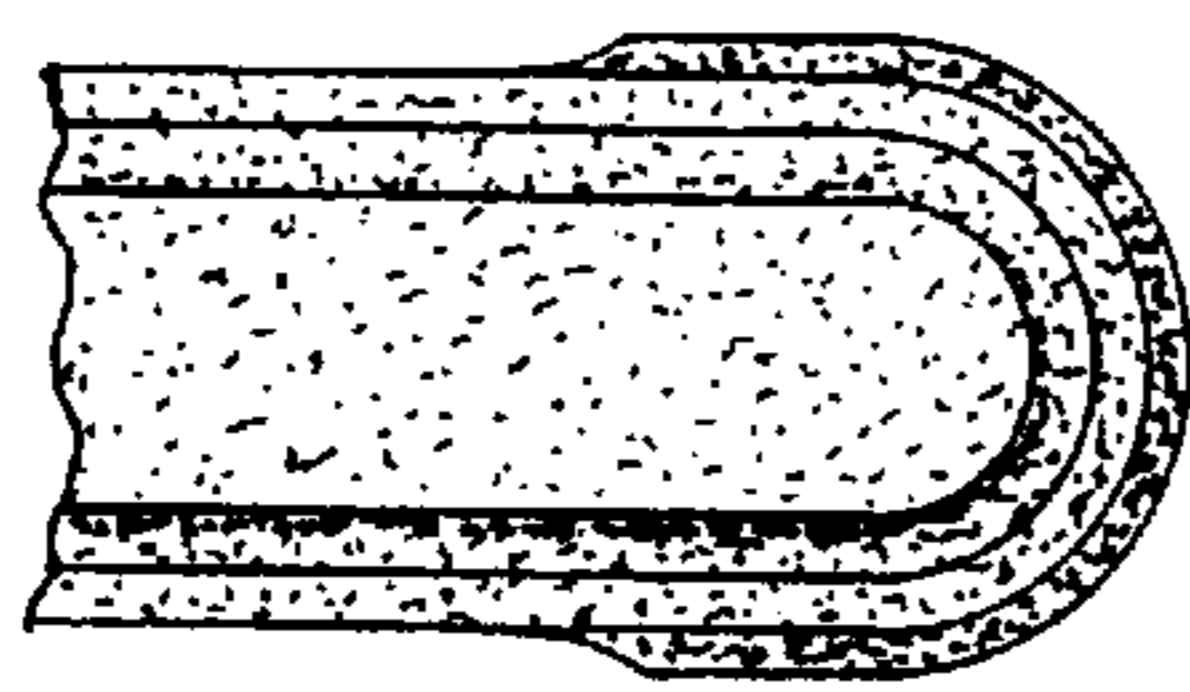
***Fig. 1***



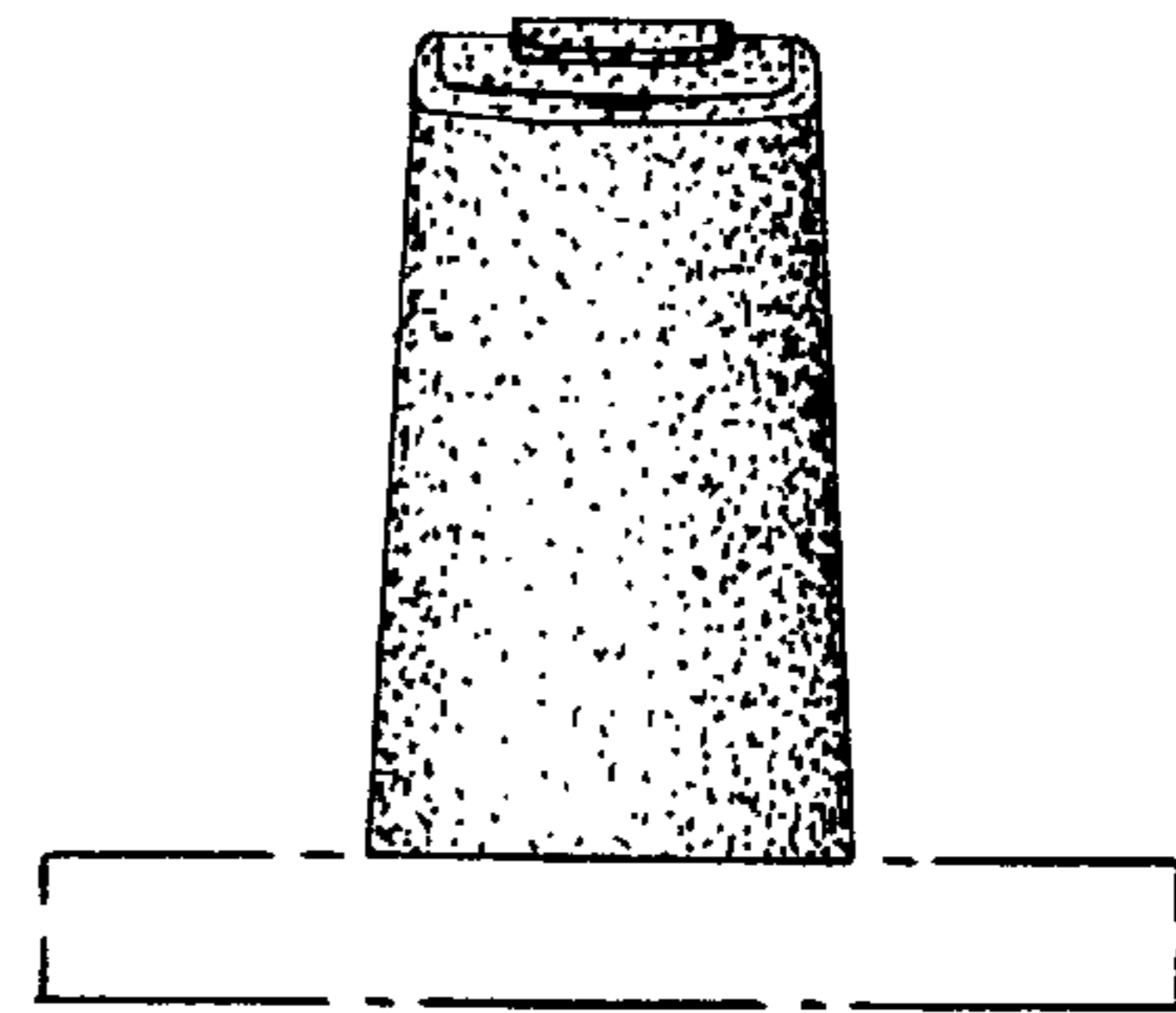
***Fig. 2***



*Fig. 3*



*Fig. 5*



*Fig. 4*