



US00D403222S

United States Patent [19] Lui

[11] **Patent Number: Des. 403,222**

[45] **Date of Patent: **Dec. 29, 1998**

[54] **CHUCK FOR ELECTRIC DRILL**

[75] Inventor: **Tat Nin Lui**, Hong Kong, Hong Kong

[73] Assignee: **Choon Nang Electrical Appliance Mfty., Ltd.**, Aberdeen, Hong Kong

[**] Term: **14 Years**

[21] Appl. No.: **73,927**

[22] Filed: **Jul. 24, 1997**

[30] **Foreign Application Priority Data**

Mar. 7, 1997 [GB] United Kingdom 2063879

[51] **LOC (6) Cl.** **08-01**

[52] **U.S. Cl.** **D8/70; D15/140**

[58] **Field of Search** D8/68, 70; D15/140;
279/60, 61, 62, 63, 64, 65, 66, 140, 902;
408/240

[56] **References Cited**
U.S. PATENT DOCUMENTS

D. 346,541 5/1994 Somers D8/70

D. 356,932 4/1995 Owens et al. D8/70

D. 359,217 6/1995 Owens et al. D8/70

D. 359,432 6/1995 Owens D8/70

D. 386,193 11/1997 Steadings D15/140

D. 392,530 3/1998 Lui D8/68

5,390,940 2/1995 Morlino et al. 279/62

5,624,125 4/1997 Roehm 279/62

Primary Examiner—Robert M. Spear
Attorney, Agent, or Firm—Leydig, Voit & Mayer, Ltd.

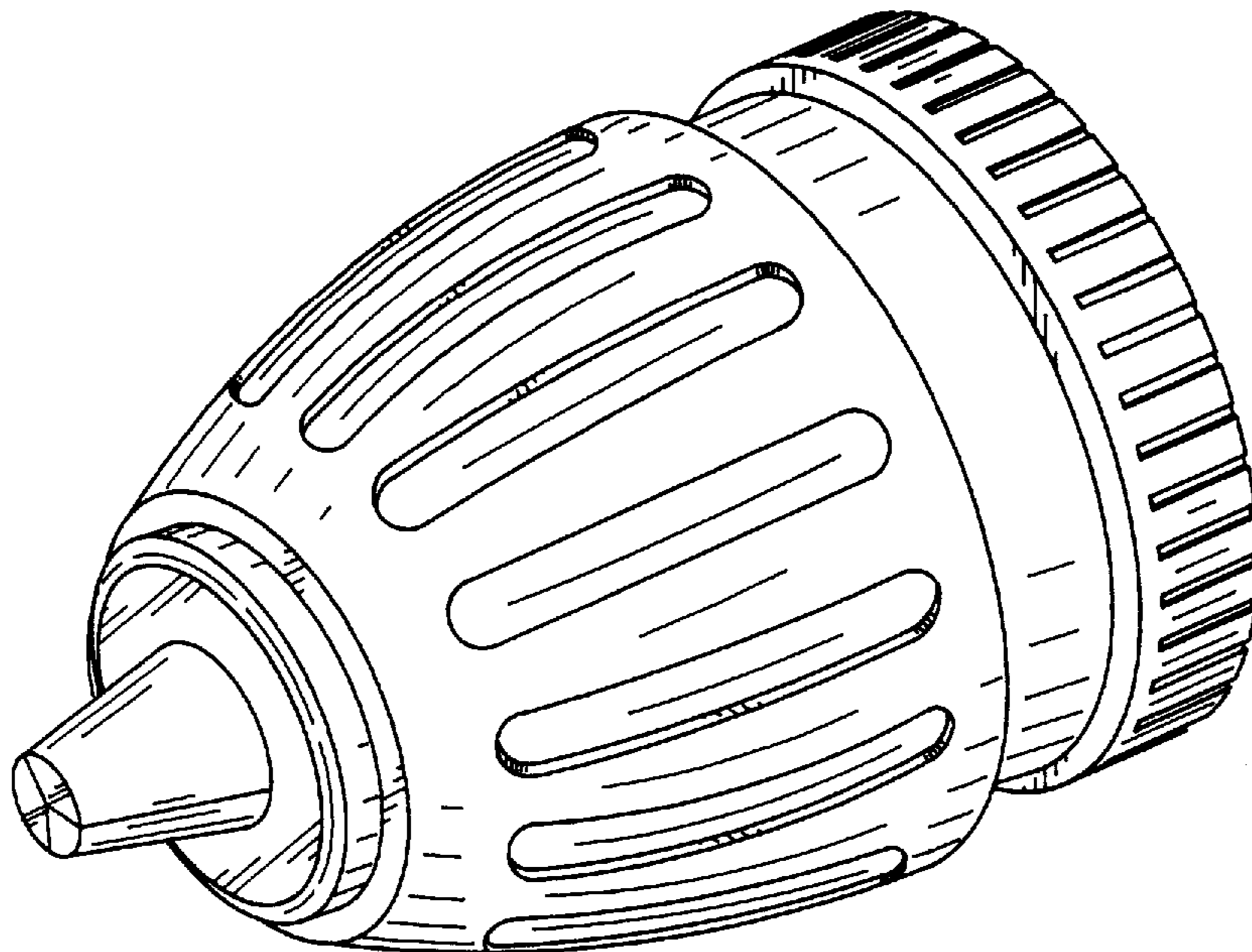
[57] **CLAIM**

The ornamental design for a chuck for electric drill, as shown and described.

DESCRIPTION

FIG. 1 is a front end and right side perspective view of a chuck for electric drill showing my new design; FIG. 2 is a right side elevational view thereof; FIG. 3 is a left side elevational view thereof; FIG. 4 is a front end elevational view thereof; FIG. 5 is a rear end elevational view thereof; FIG. 6 is a top plan view thereof; and, FIG. 7 is a bottom plan view thereof.

1 Claim, 4 Drawing Sheets



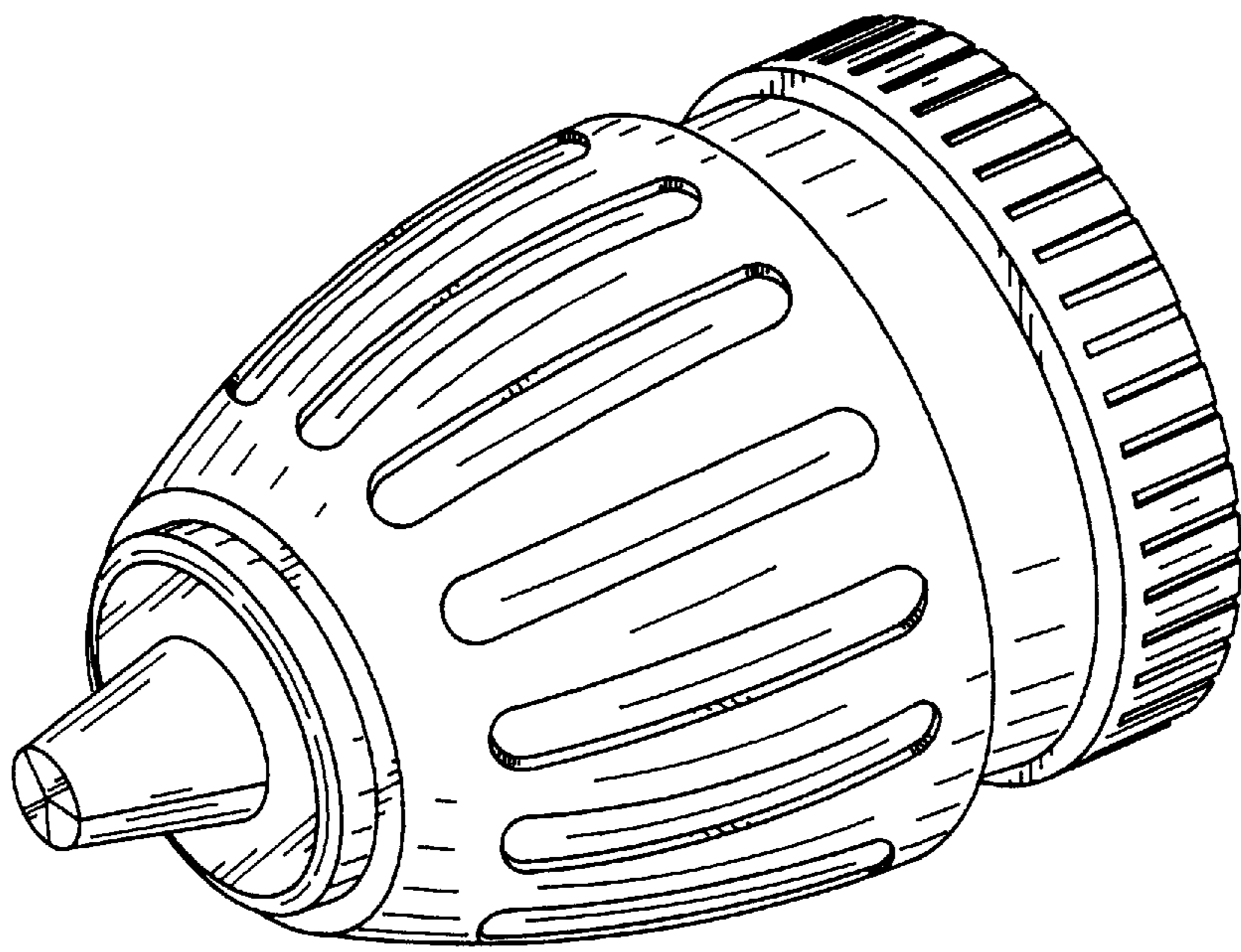


FIG. 1

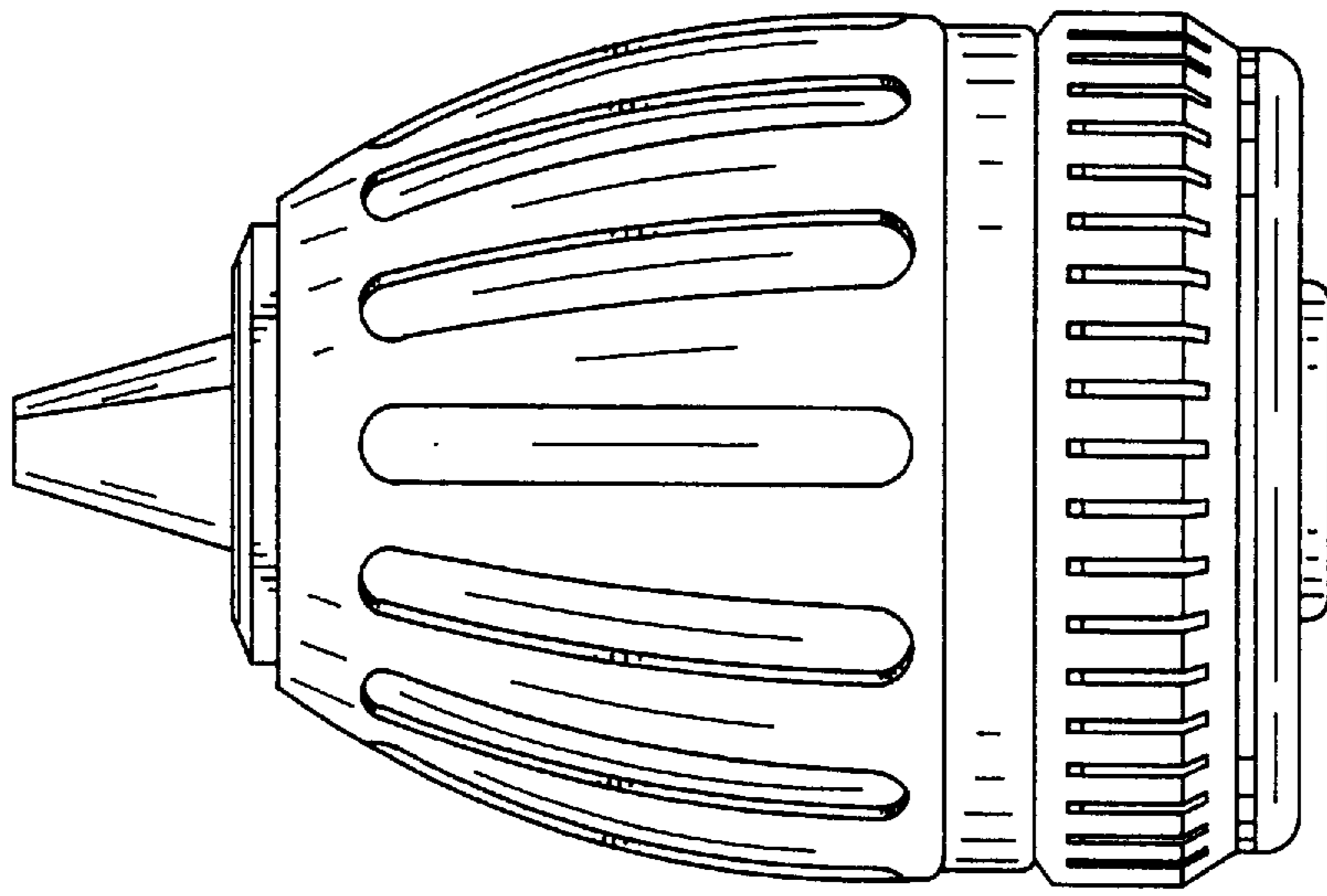


FIG. 2

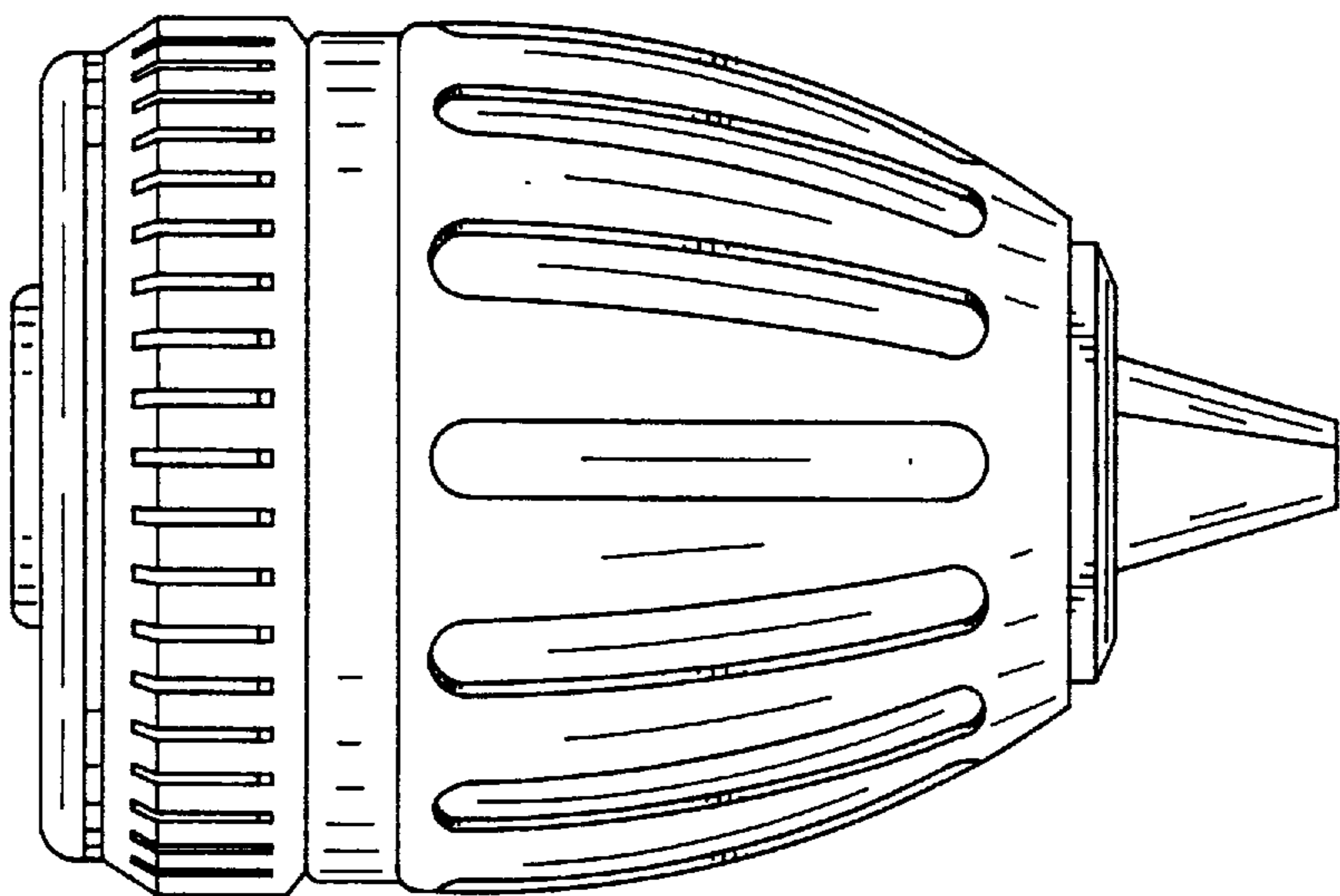


FIG. 3

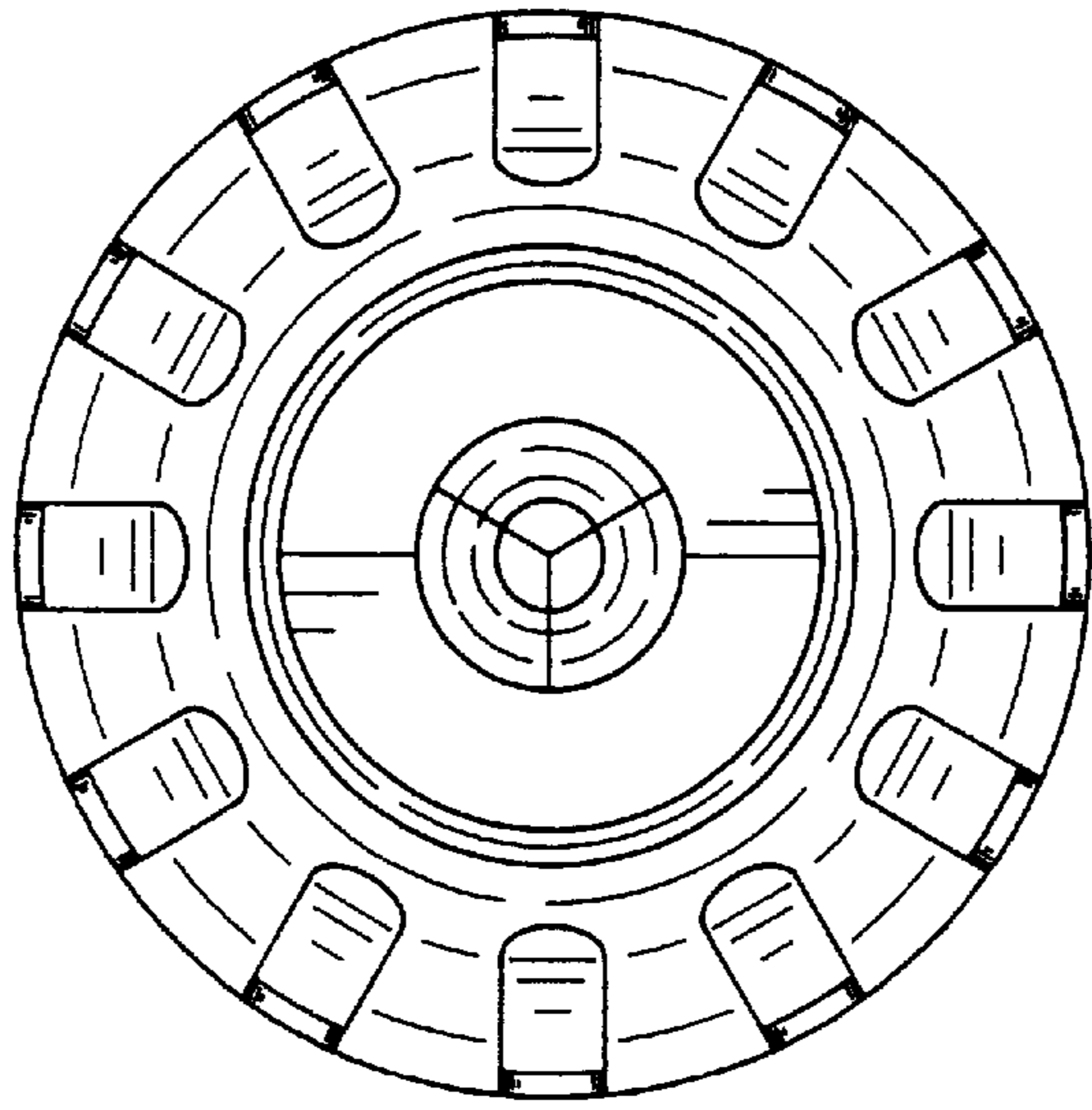


FIG. 4

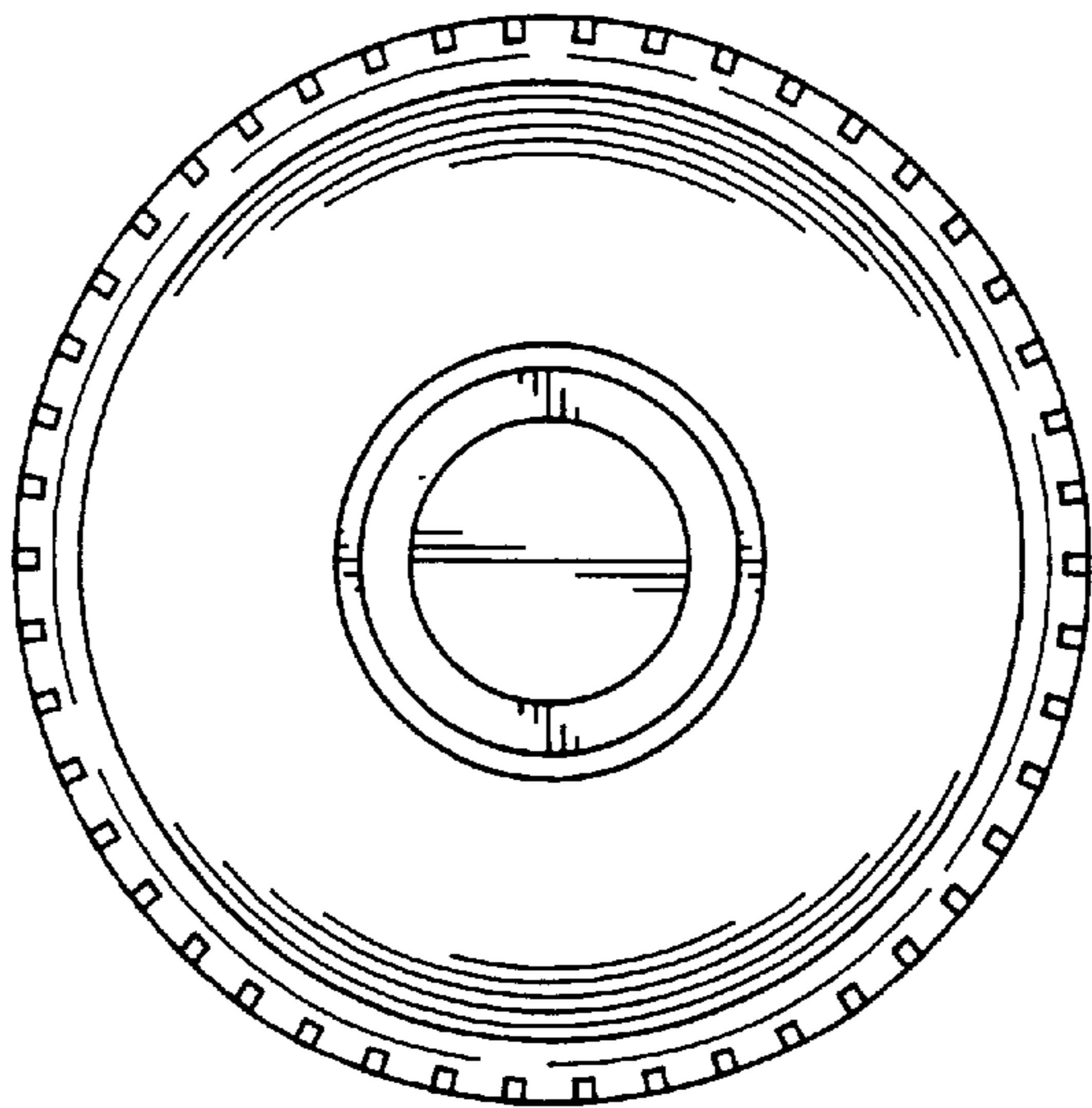


FIG. 5

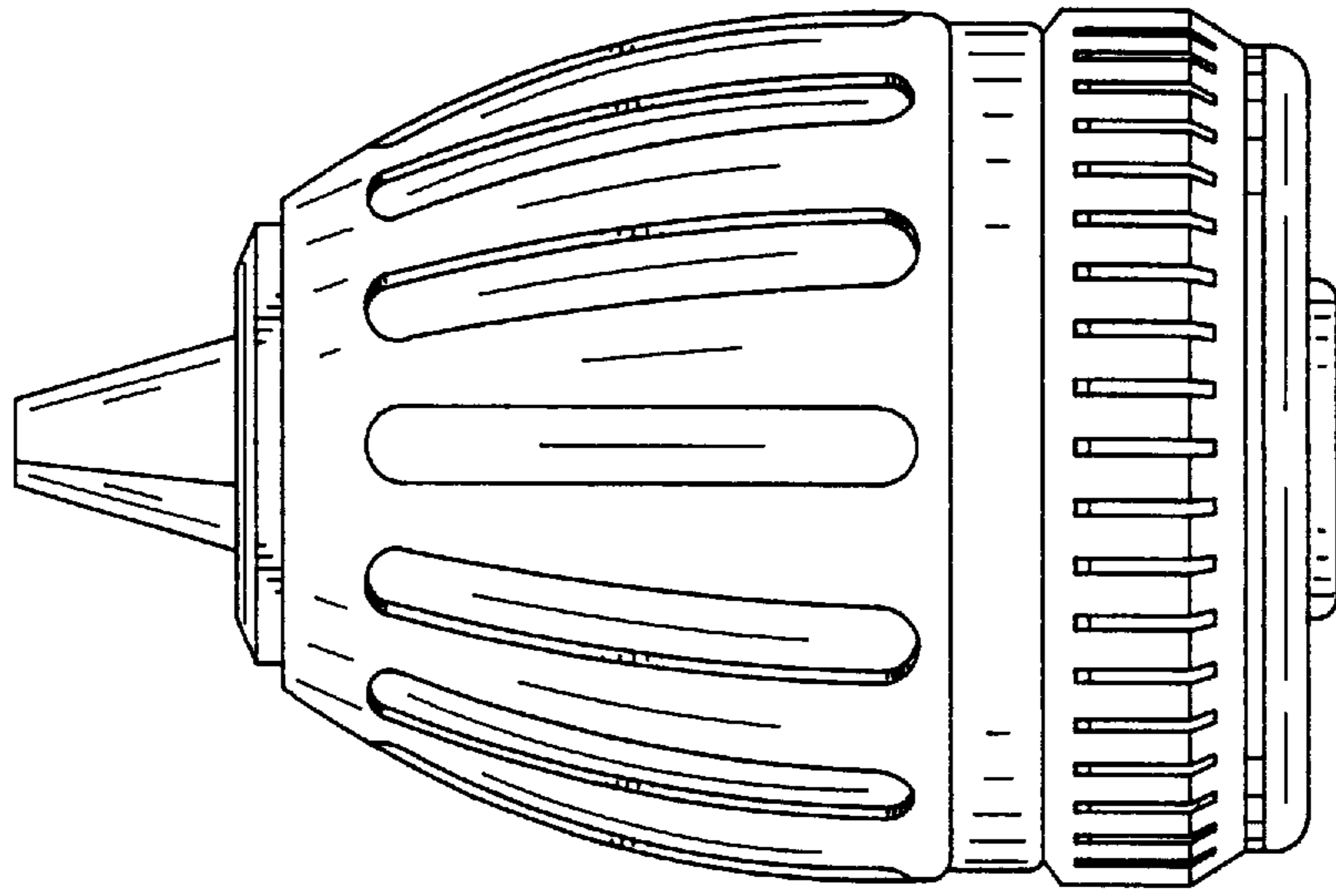


FIG. 6

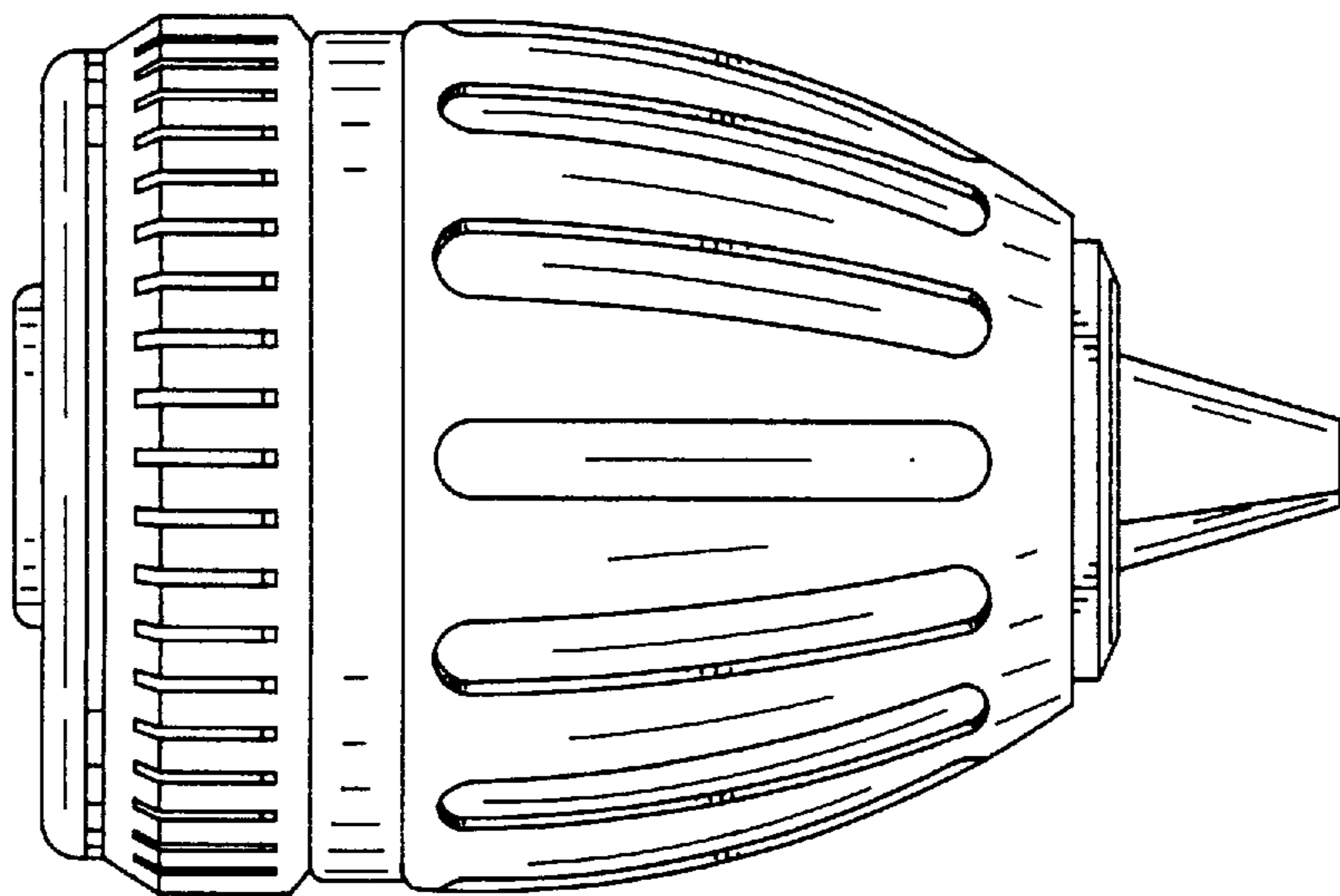


FIG. 7