



US00D403220S

# United States Patent [19]

Kimata et al.

[11] **Patent Number: Des. 403,220**

[45] **Date of Patent: \*\*Dec. 29, 1998**

[54] **PORTABLE ELECTRIC DRILL**

[75] Inventors: **Akinori Kimata; Naohiro Hayakawa,**  
both of Anjo, Japan

[73] Assignee: **Makita Corporation,** Aichi-ken, Japan

[\*\*] Term: **14 Years**

[21] Appl. No.: **84,752**

[22] Filed: **Mar. 10, 1998**

### [30] Foreign Application Priority Data

Sep. 10, 1997 [JP] Japan ..... 9-67499

[51] **LOC (6) Cl. .... 08-03**

[52] **U.S. Cl. .... D8/68**

[58] **Field of Search .... D8/68; 74/371;**  
81/57.11, 57.13, 57.14, 57.43, 177.6, 436,  
438; 178/178, 217

### [56] References Cited

#### U.S. PATENT DOCUMENTS

D. 323,606 2/1992 Chang ..... D8/68

D. 327,619 7/1992 Tsai ..... D8/68  
D. 340,394 10/1993 Okumura ..... D8/68  
D. 360,814 8/1995 Kimata ..... D8/68  
D. 384,261 9/1997 Hayakawa et al. .

*Primary Examiner*—Antoine Duval Davis  
*Attorney, Agent, or Firm*—Dennison, Meserole, Pollack & Scheiner

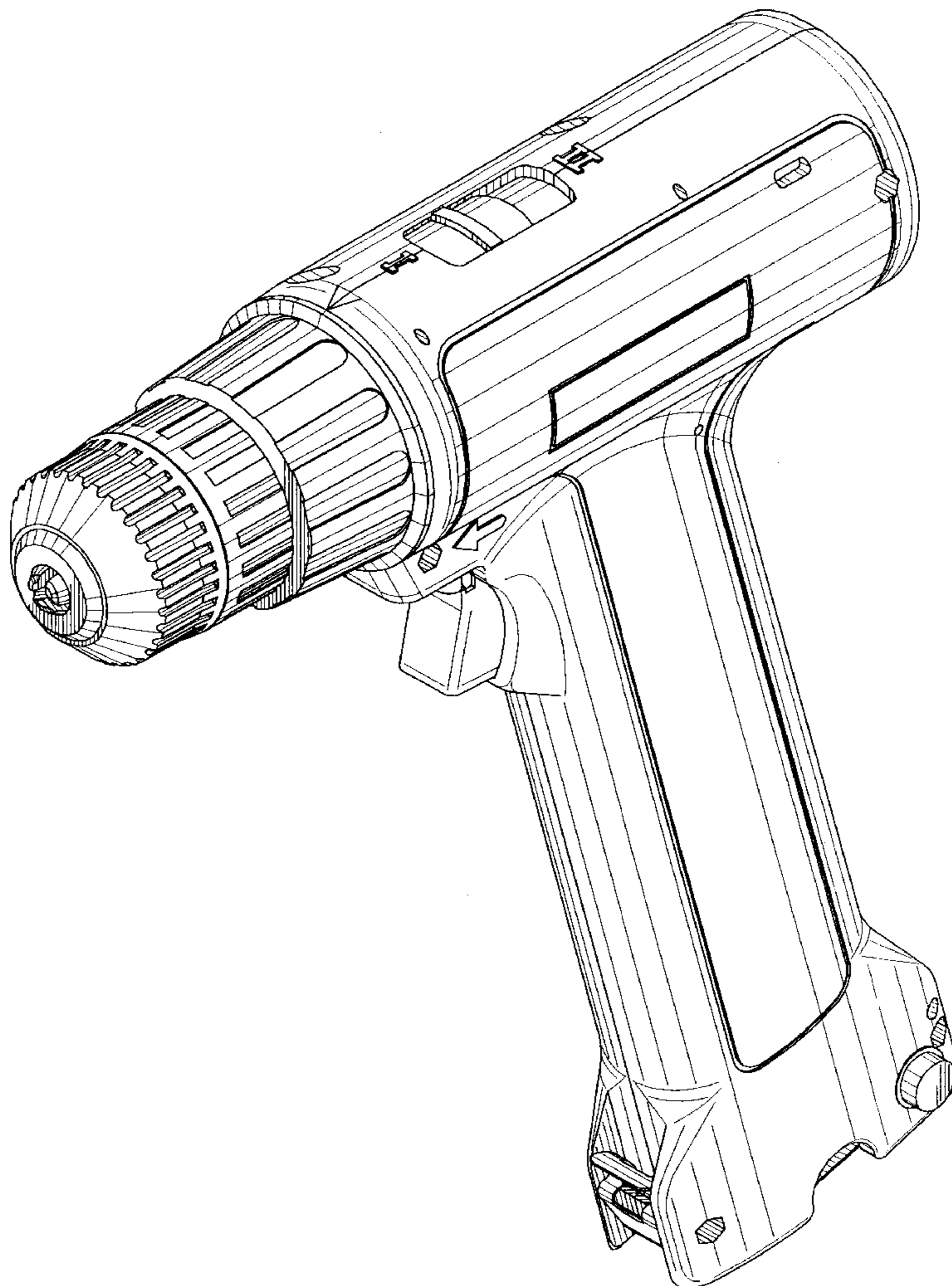
### [57] CLAIM

The ornamental design for a portable electric drill, as shown and described.

### DESCRIPTION

FIG. 1 is a perspective view of a portable electric drill showing our new design;  
FIG. 2 is a front elevational view thereof;  
FIG. 3 is a rear elevational view thereof;  
FIG. 4 is a left side elevational view thereof;  
FIG. 5 is a right side elevational view thereof;  
FIG. 6 is a top plan view thereof; and,  
FIG. 7 is a bottom plan view thereof.

**1 Claim, 5 Drawing Sheets**



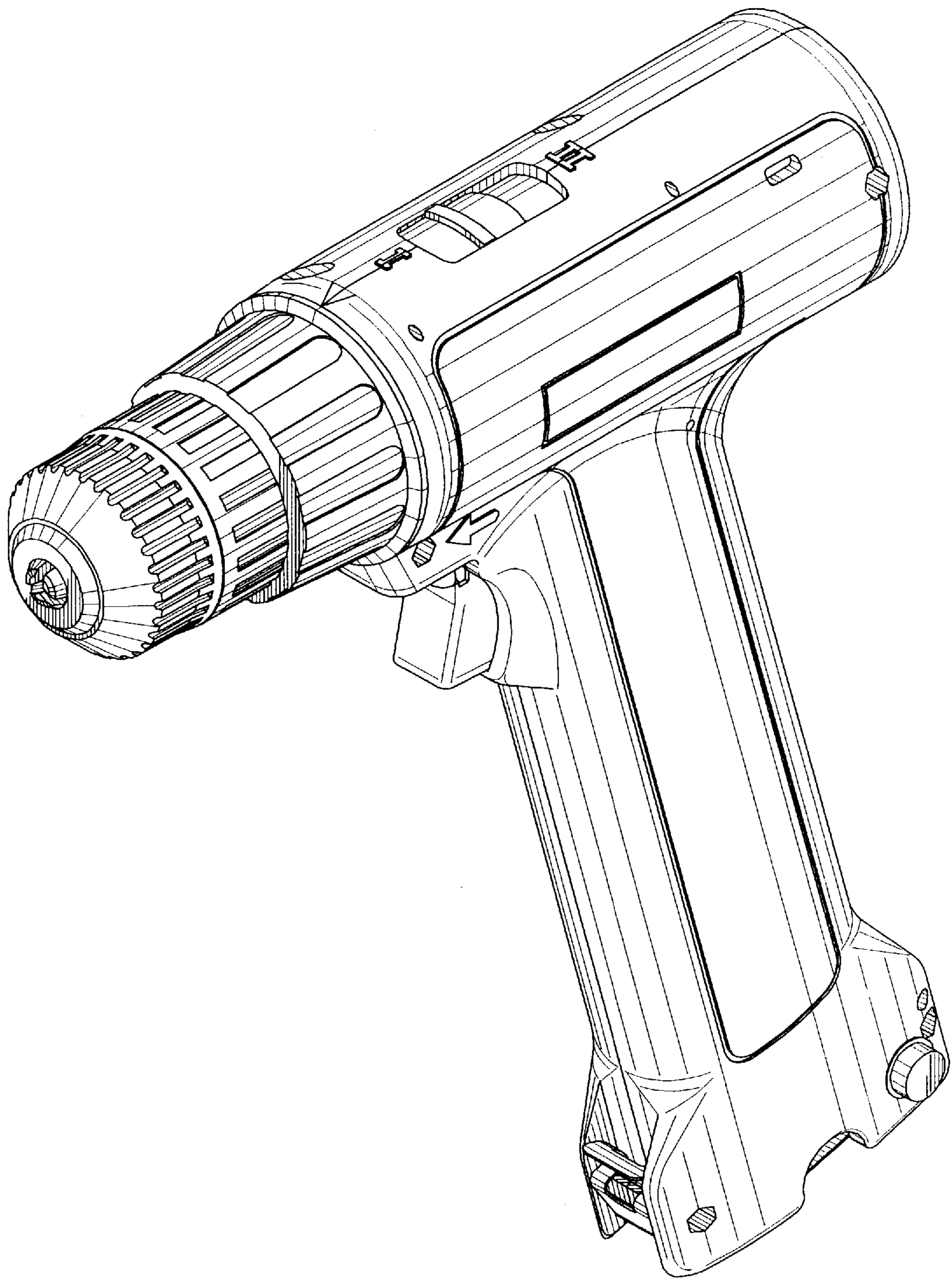


FIG. 1

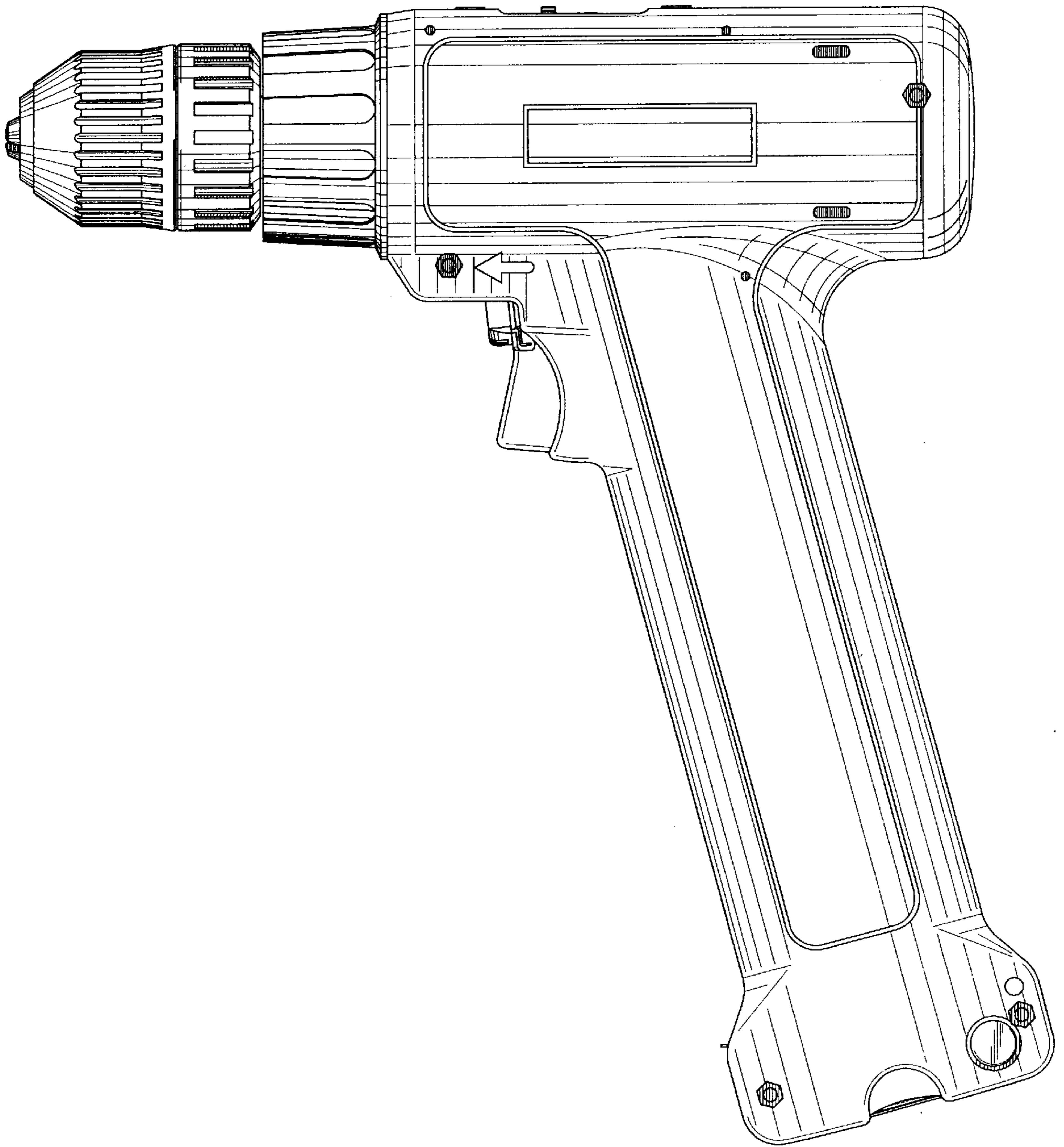


FIG. 2



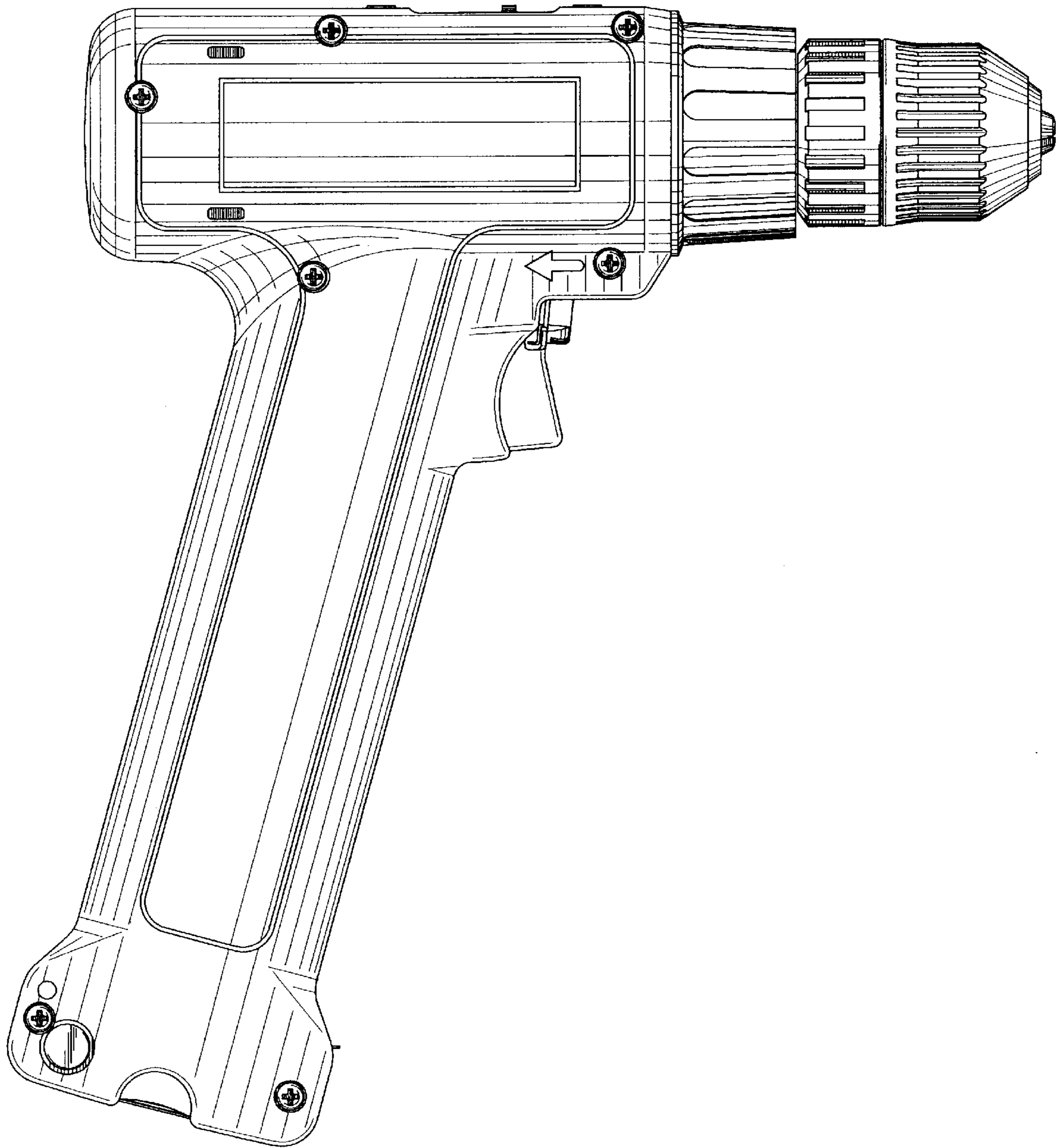


FIG. 3

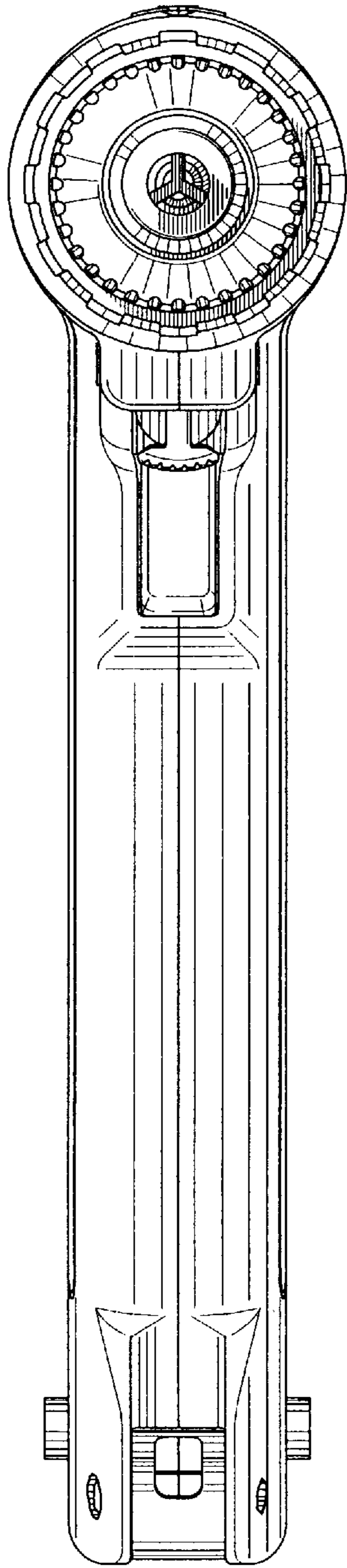


FIG. 4

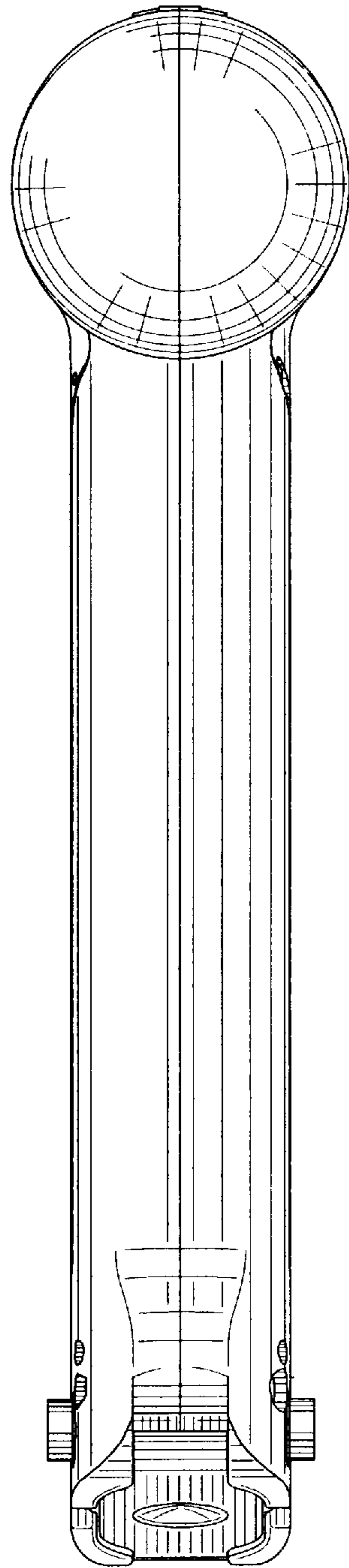


FIG. 5

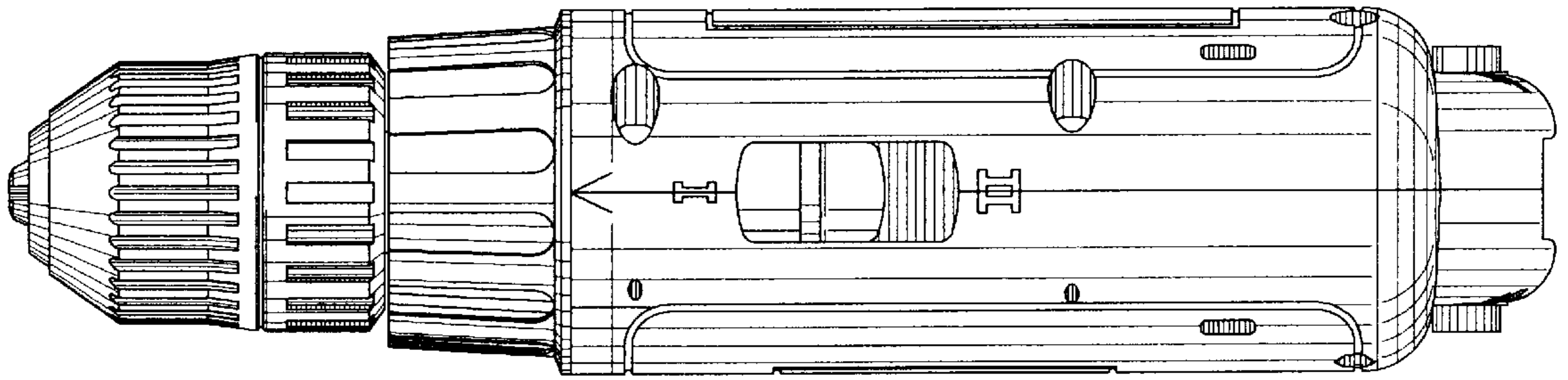


FIG. 6

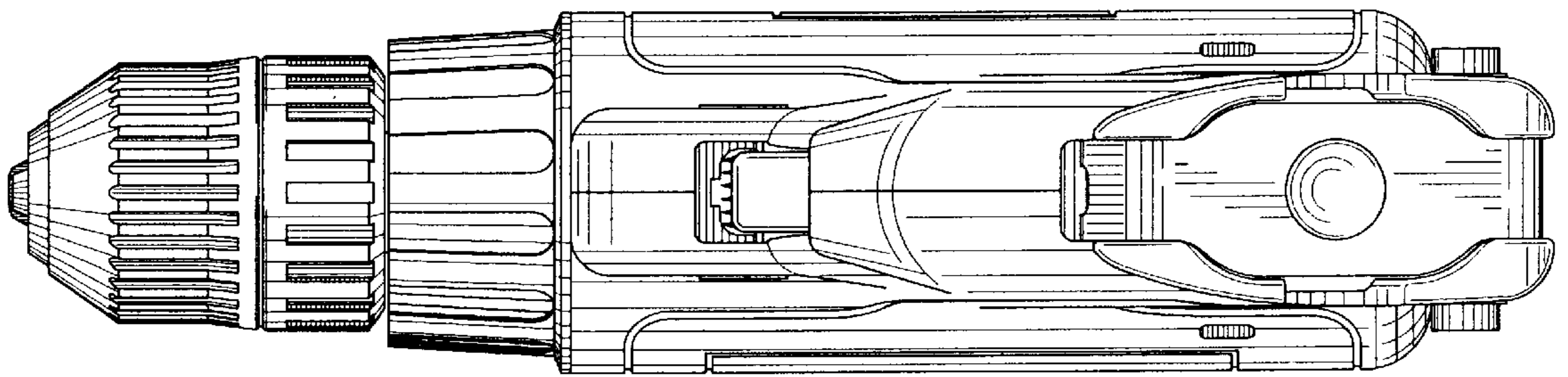


FIG. 7