



US00D403217S

# United States Patent [19] Usbeck

[11] **Patent Number: Des. 403,217**

[45] **Date of Patent: \*\*Dec. 29, 1998**

[54] **CAN OPENER**

[75] Inventor: **Friedrich Wilhelm Usbeck**, Marburg, Germany

[73] Assignee: **Monopolwerk Usbeck & Sohne GmbH & Co.**, Marburg, Germany

[\*\*] Term: **14 Years**

[21] Appl. No.: **77,981**

[22] Filed: **Oct. 17, 1997**

[30] **Foreign Application Priority Data**

Apr. 18, 1997 [XH] Hague Agreement ..... DM 039917

[51] **LOC (6) Cl.** ..... **07-99**

[52] **U.S. Cl.** ..... **D8/39**

[58] **Field of Search** ..... D8/18, 19, 33-43;  
7/151, 152; 30/400, 422-427

[56] **References Cited**

**U.S. PATENT DOCUMENTS**

- D. 253,391 11/1979 Dreyer ..... D8/39
- D. 266,979 11/1982 Steiner et al. .... D8/39
- D. 362,165 9/1995 Wheeler ..... D8/36

**OTHER PUBLICATIONS**

P. 21 of Catalogue sheet by MONOPOLwerk Usbeck & Sohne GmbH & Co., showing Model Nos. 4133 01, 4144 01 and 4140 21 can openers. Date unknown.

*Primary Examiner*—Caron D. Veynar  
*Attorney, Agent, or Firm*—Lowe Hauptman Gopstein Gilman & Berner

[57] **CLAIM**

The ornamental design for a can opener, as shown and described herein.

**DESCRIPTION**

FIG. 1 is a front elevation view of a can opener in accordance with the inventive design;

FIG. 2 is a right side elevation view thereof;

FIG. 3 is a left side elevation view thereof;

FIG. 4 is a top view thereof;

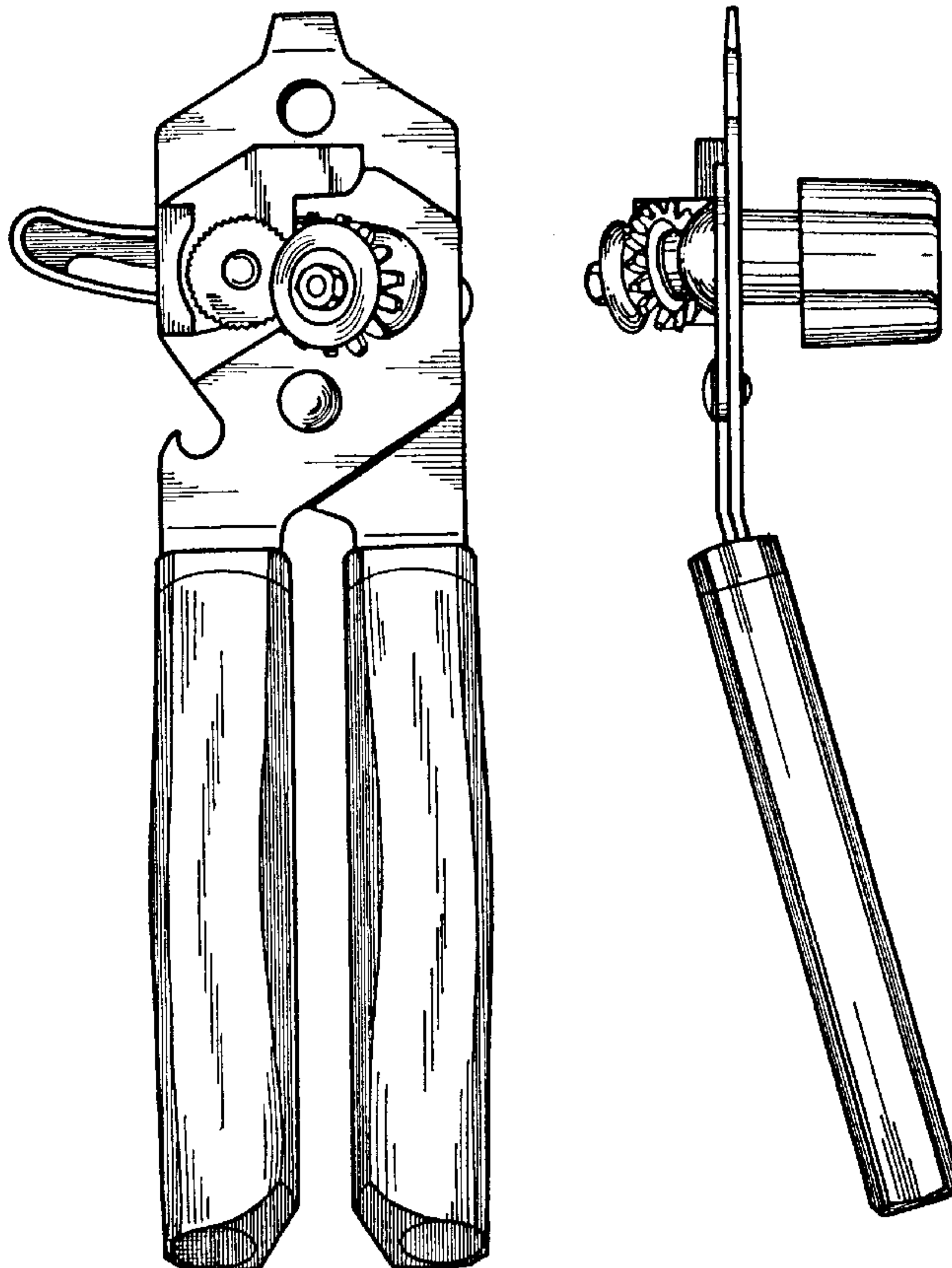
FIG. 5 is a rear elevation view thereof;

FIG. 6 is an exploded front view of a handle cover shown separately for ease of illustration;

FIG. 7 is a front view of an assembled handle cover illustrated in FIG. 6, shown separately for ease of illustration; and,

FIG. 8 is a top view of a cap member of the handle cover of FIGS. 6 and 7 shown separately for ease of illustration.

**1 Claim, 3 Drawing Sheets**



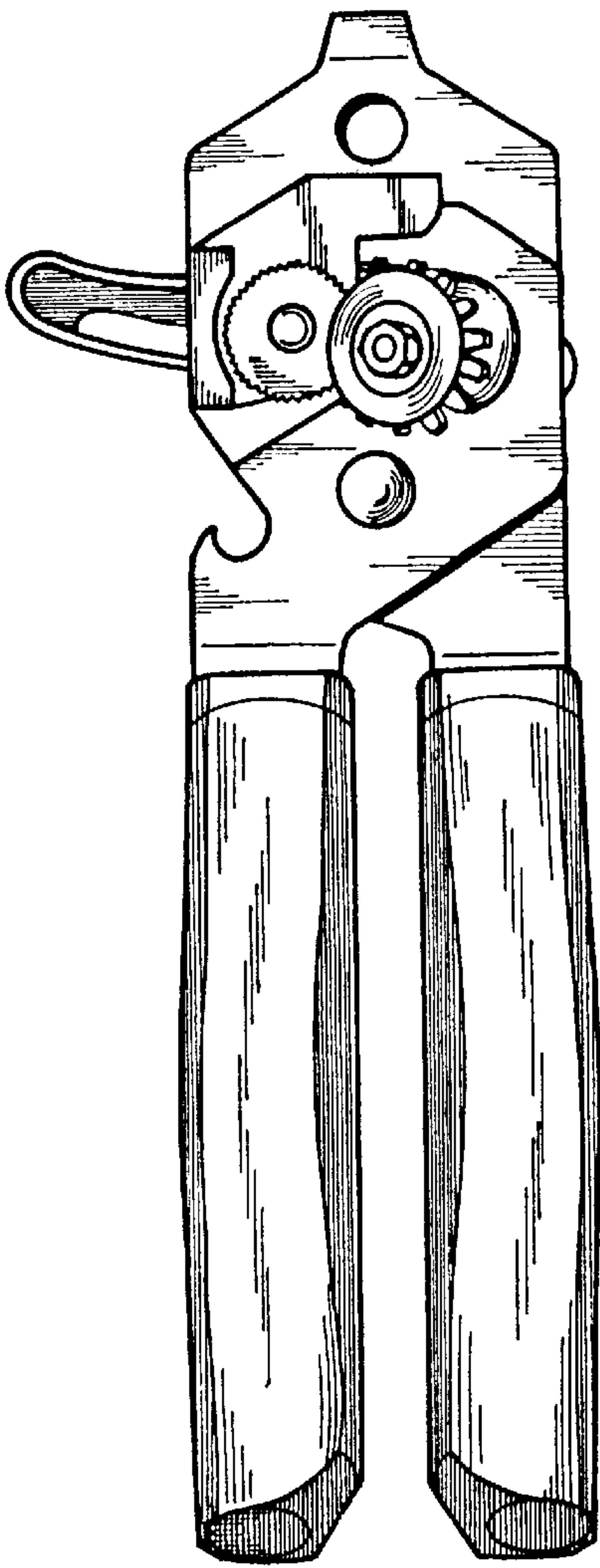


FIG. 1

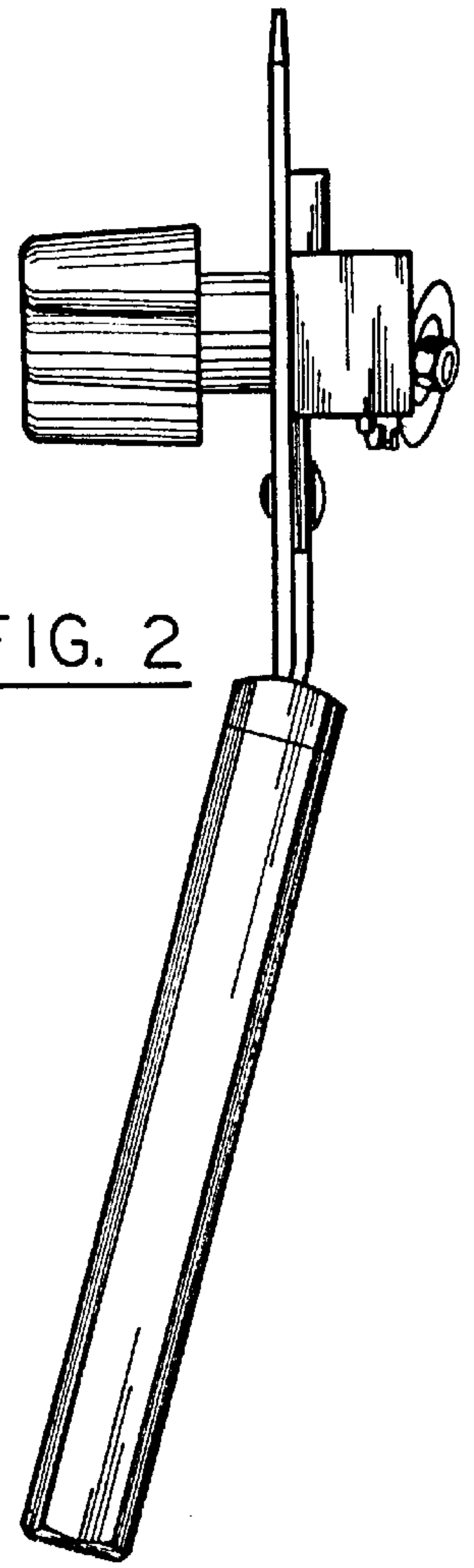


FIG. 2

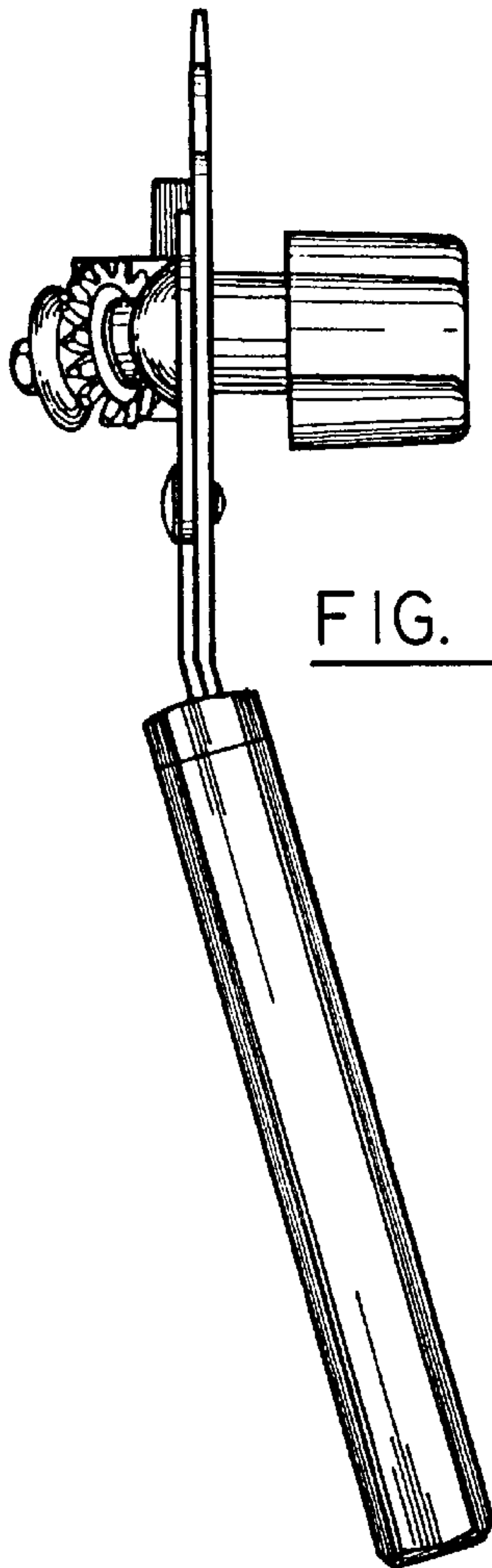


FIG. 3

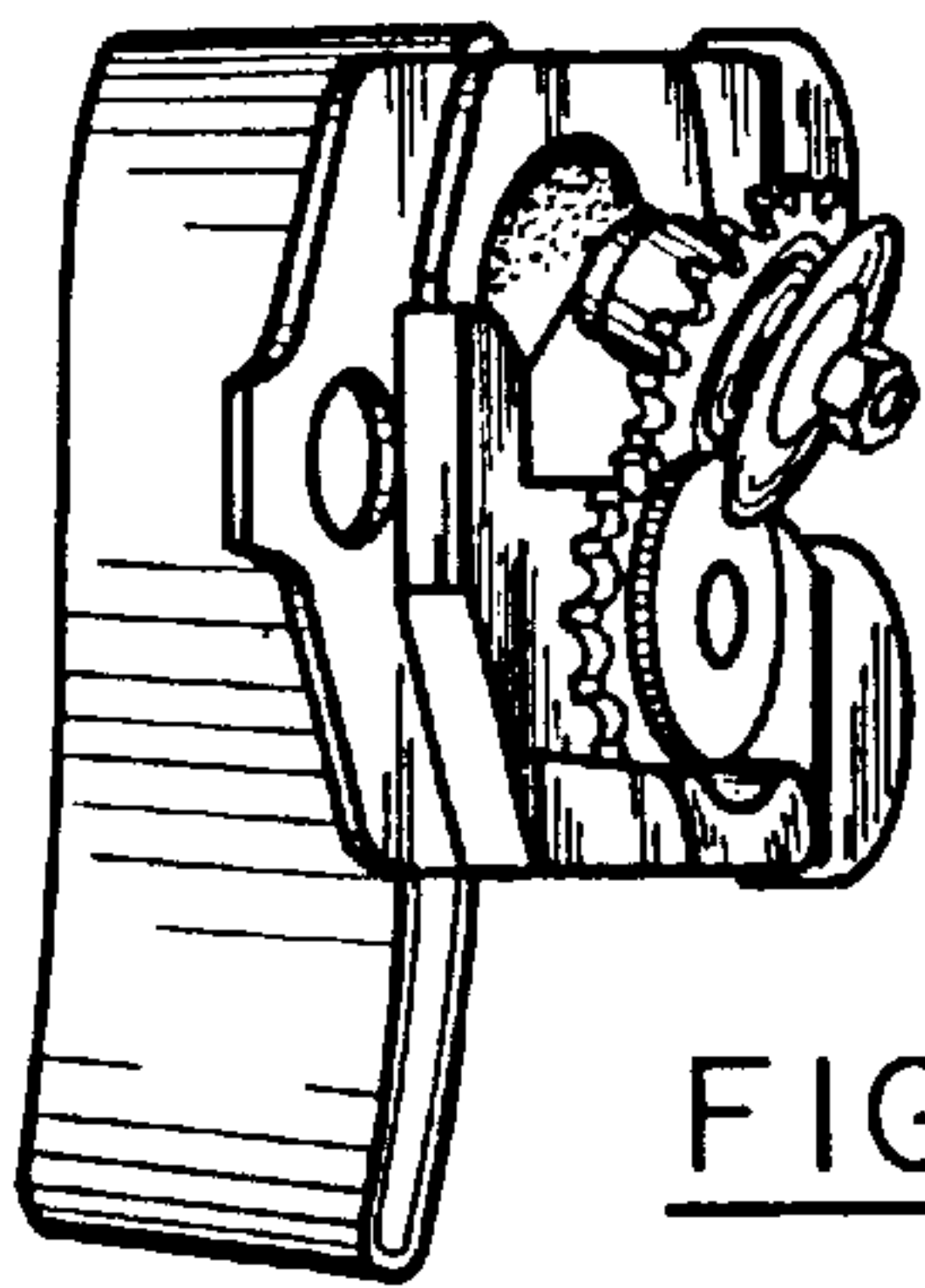


FIG. 4

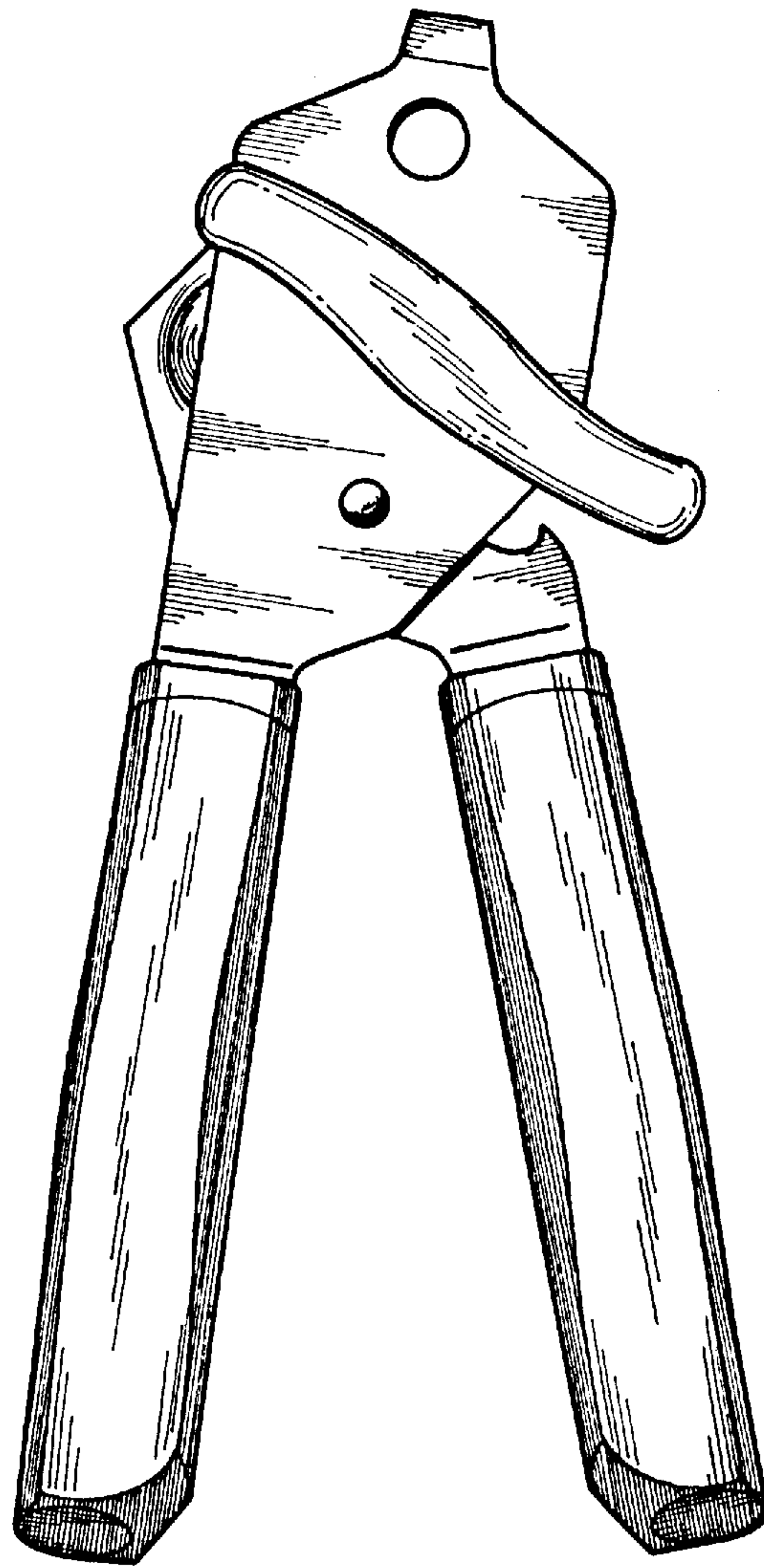


FIG. 5

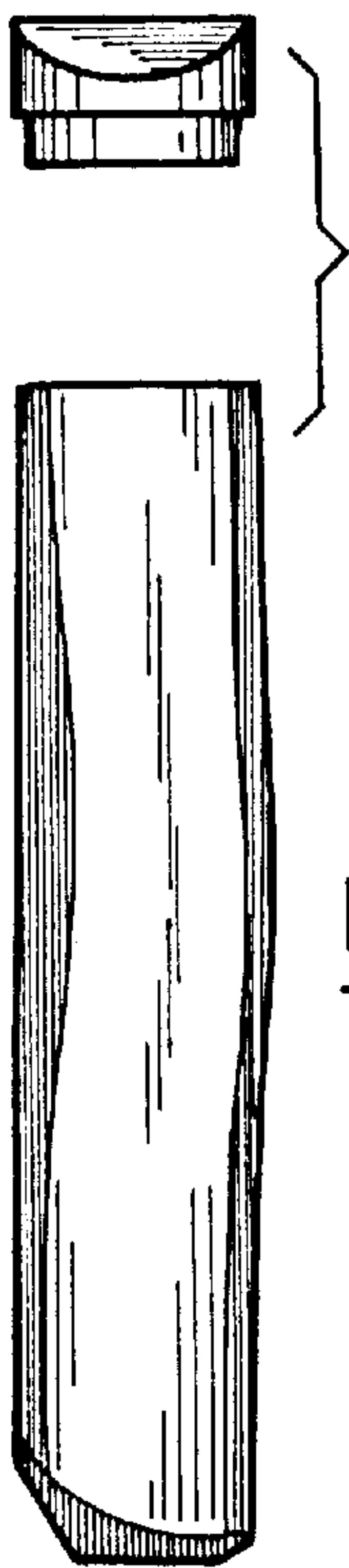


FIG. 6



FIG. 7



FIG. 8