



US00D403215S

United States Patent [19]
Hsieh

[11] **Patent Number: Des. 403,215**

[45] **Date of Patent: **Dec. 29, 1998**

[54] **WRENCH**

[76] Inventor: **Chih-Ching Hsieh**, No. 64, Lane 107,
Liang Tsun Rd., Fong Yuan City,
Taichung Hsien, Taiwan

[**] Term: **14 Years**

[*] Notice: The term of this patent shall not extend
beyond the expiration date of Pat. No.
Des. 396,786.

[21] Appl. No.: **80,674**

[22] Filed: **Dec. 3, 1997**

[51] **LOC (6) Cl.** **08-05**

[52] **U.S. Cl.** **D8/28**

[58] **Field of Search** D8/28; 81/58,
81/58.2, 119, 124.2-124.4, 125.1, 186

[56] **References Cited**

U.S. PATENT DOCUMENTS

D. 359,212 6/1995 Skiba D8/28

D. 388,296 12/1997 Wei D8/28
3,029,673 4/1962 Godsey 81/185
4,581,957 4/1986 Dossier 81/121.1

Primary Examiner—Ted Shooman
Assistant Examiner—Richelle Shelton
Attorney, Agent, or Firm—Pro-Techtor International
Services

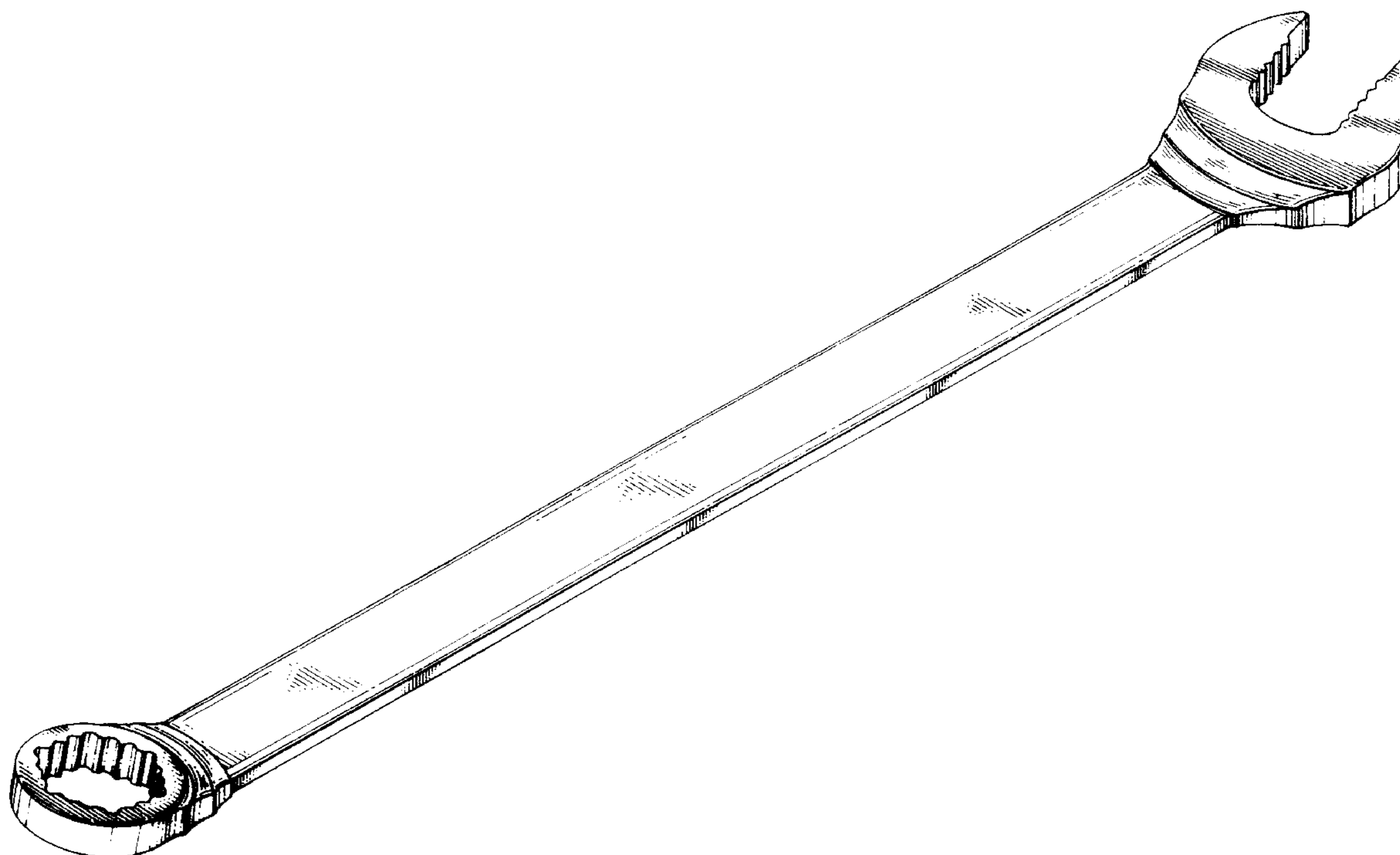
[57] **CLAIM**

The ornamental design for wrench, as shown and described.

DESCRIPTION

FIG. 1 is a perspective view of a wrench showing my new
design;
FIG. 2 is a rear elevational view thereof;
FIG. 3 is a top plan view thereof;
FIG. 4 is a front elevational view thereof;
FIG. 5 is a bottom plan view thereof;
FIG. 6 is a left side elevational view thereof; and,
FIG. 7 is a right side elevational view thereof.

1 Claim, 3 Drawing Sheets



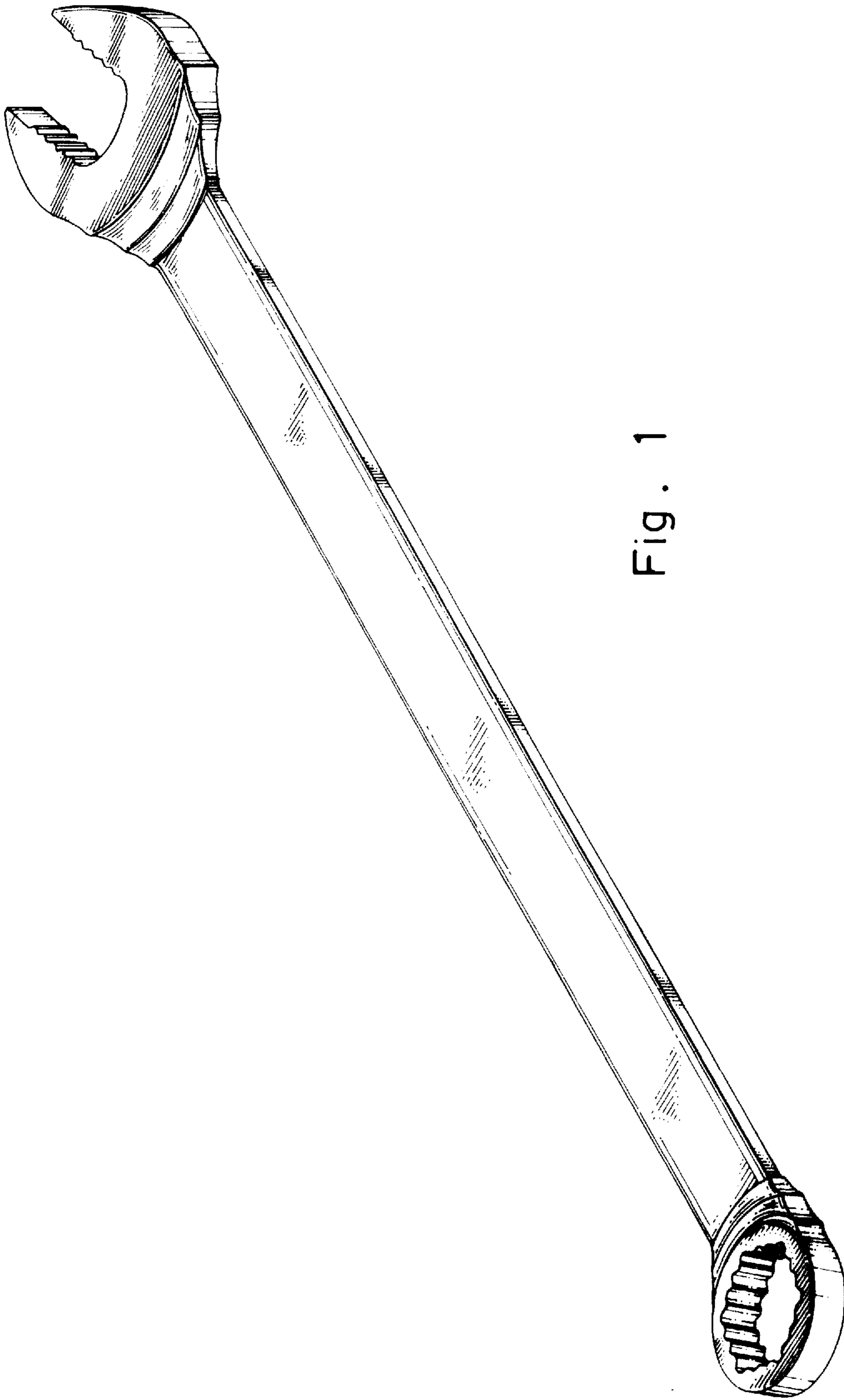


Fig. 1

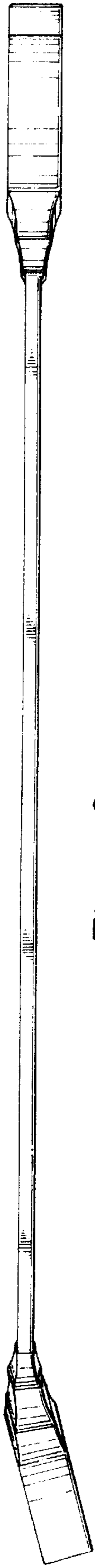


Fig. 2

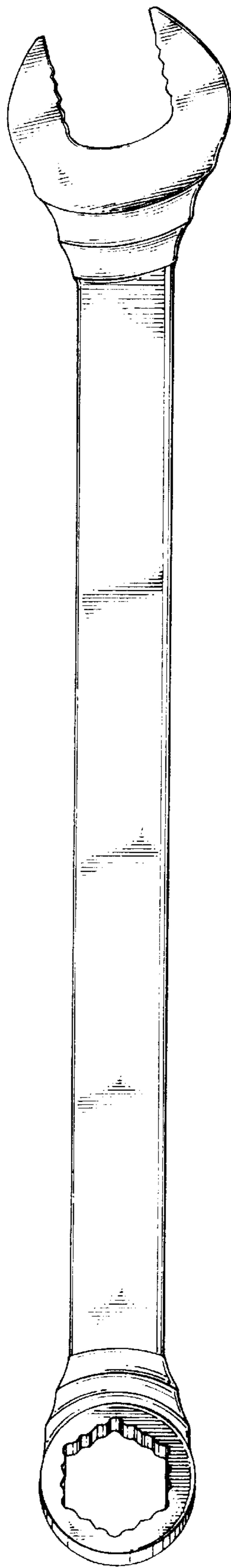


Fig. 3

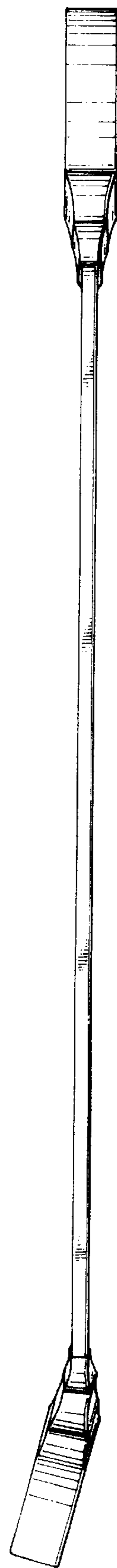


Fig. 4

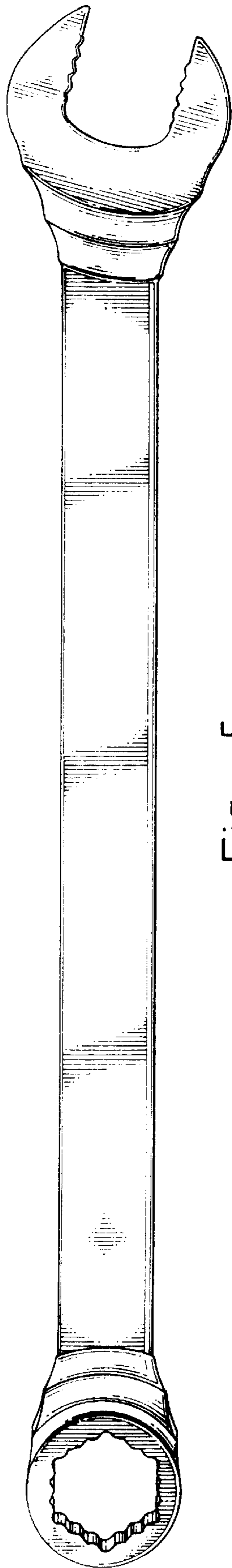


Fig. 5

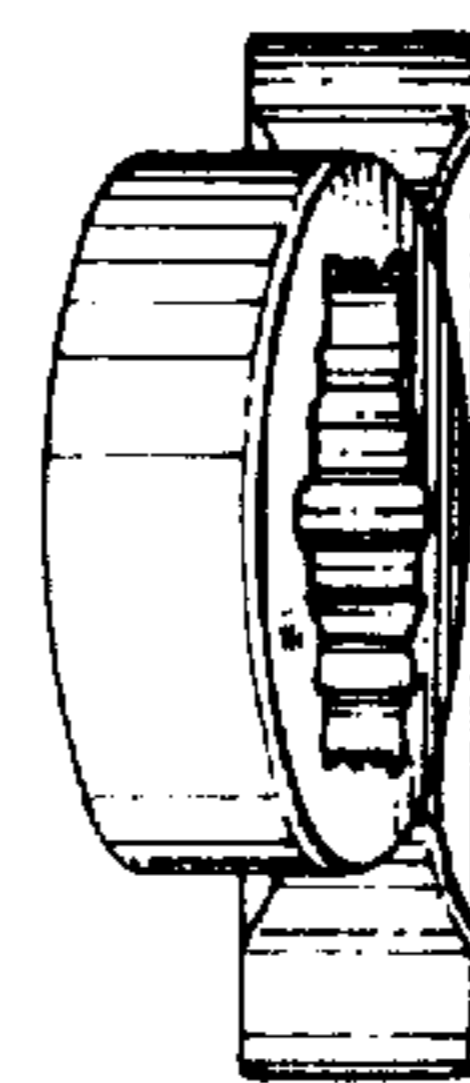


Fig. 6

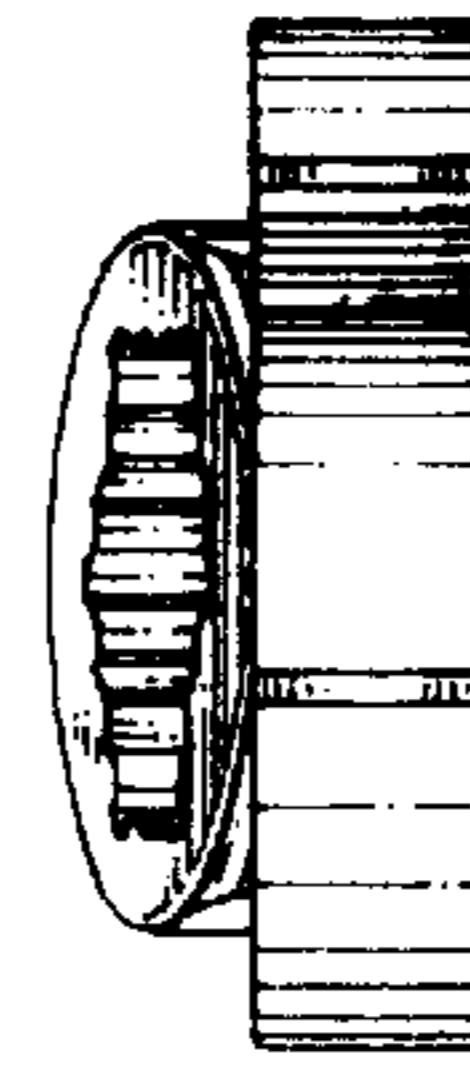


Fig. 7