



US00D403214S

United States Patent [19]
Gallagher et al.

[11] **Patent Number: Des. 403,214**
[45] **Date of Patent: **Dec. 29, 1998**

[54] **COMBINATION RIP FENCE AND WRENCH**

[75] Inventors: **P. Sean Gallagher**, Des Plaines, Ill.;
Dale M. Flowers, Ballwin, Mo.; **Jun G. Wong**, Villa Park, Ill.

[73] Assignee: **S-B Power Tool Company**, Chicago, Ill.

[**] Term: **14 Years**

[21] Appl. No.: **70,224**

[22] Filed: **May 2, 1997**

[51] **LOC (6) Cl.** **08-05**

[52] **U.S. Cl.** **D8/26; D8/28**

[58] **Field of Search** D8/14, 17, 21,
D8/26, 28, 70, 71, 105; D15/133; 144/253.1;
83/438; 7/117, 138

[56] **References Cited**

U.S. PATENT DOCUMENTS

D. 298,040 10/1988 Legler D15/133

D. 376,527 12/1996 Apolinski et al. D8/70
1,571,580 2/1926 Fishburn 7/138 X
4,392,264 7/1983 Booe 7/138
4,846,036 7/1989 Metzger et al. 83/438

Primary Examiner—Prabhakar G. Deshmukh
Assistant Examiner—Richelle Shelton
Attorney, Agent, or Firm—Jones, Day, Reavis & Pogue

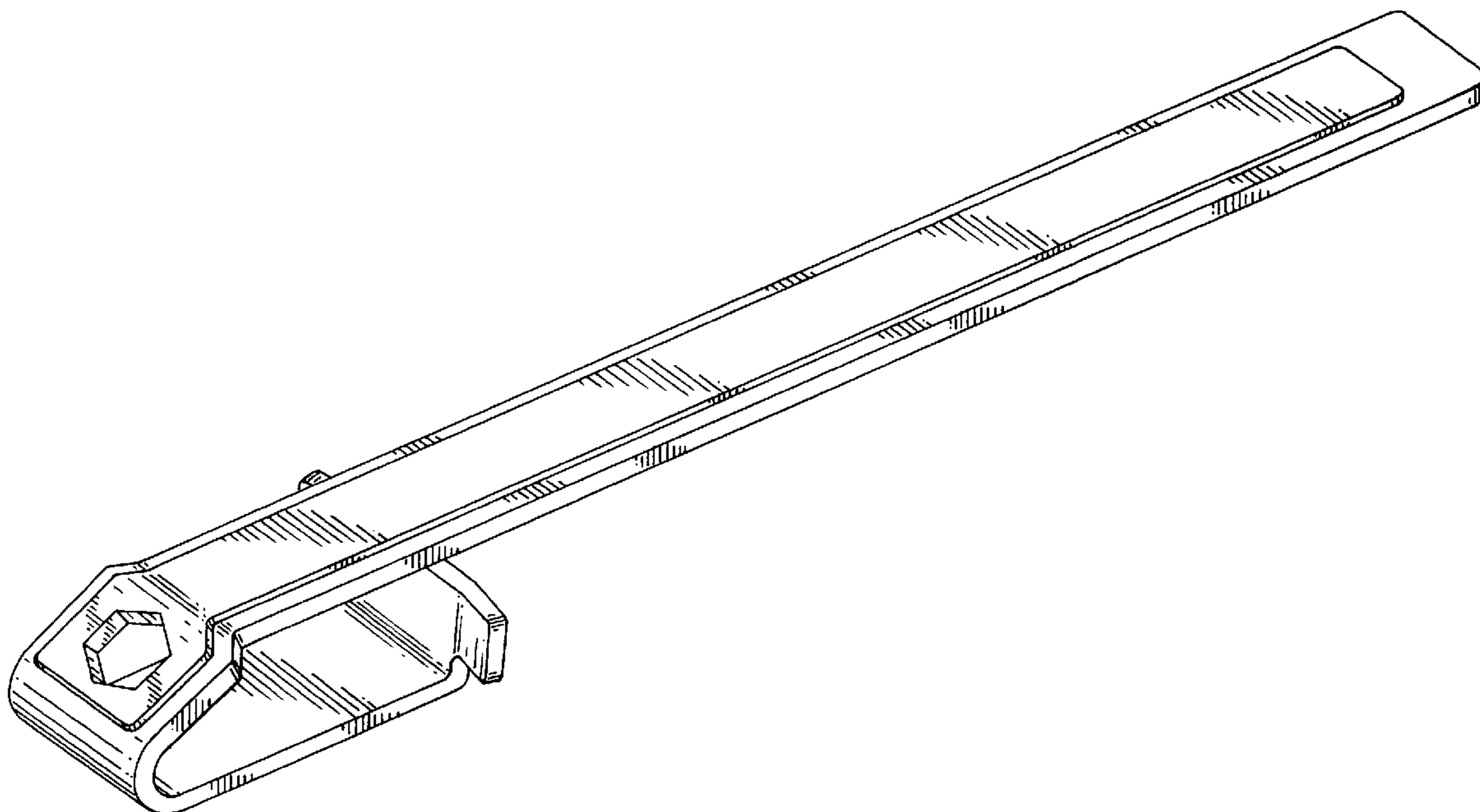
[57] **CLAIM**

The ornamental design for a combination rip fence and wrench, as shown and described.

DESCRIPTION

FIG. 1 is an isometric view of a combination rip fence and wrench embodying our design;
FIG. 2 is a top view thereof;
FIG. 3 is a bottom view thereof;
FIG. 4 is a side view thereof (the other side is a mirror image of the side shown);
FIG. 5 is a front view thereof; and,
FIG. 6 is a rear view thereof.

1 Claim, 2 Drawing Sheets



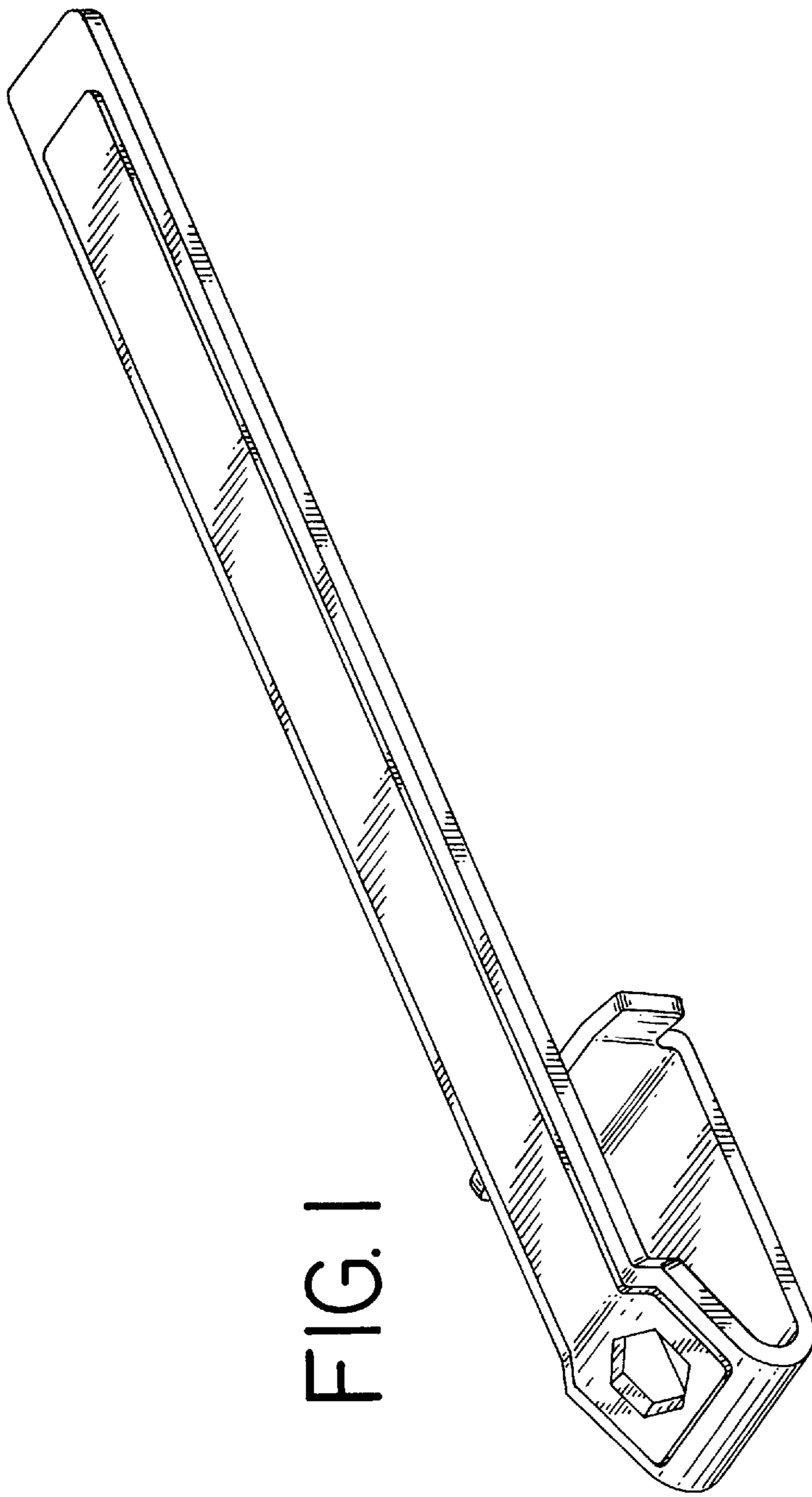


FIG. 1

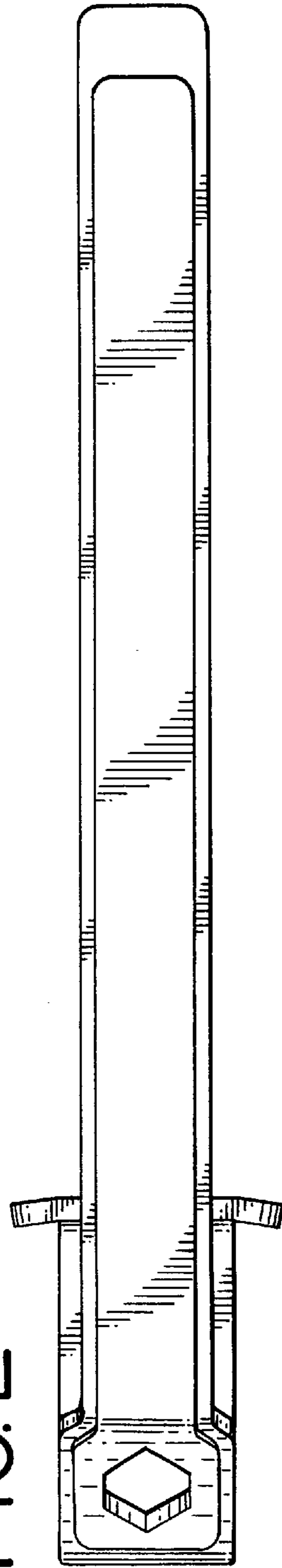


FIG. 2

FIG. 3

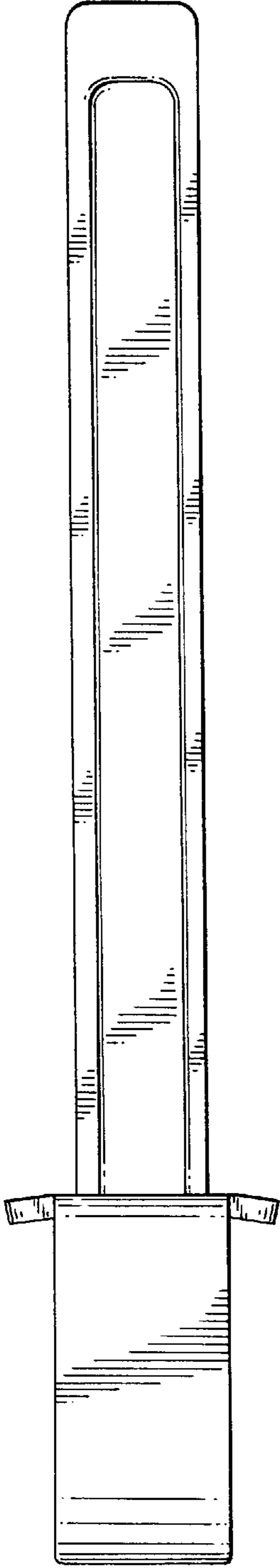


FIG. 4

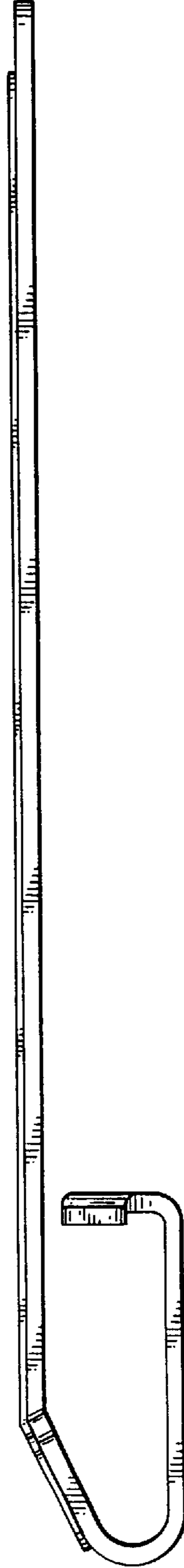


FIG. 5

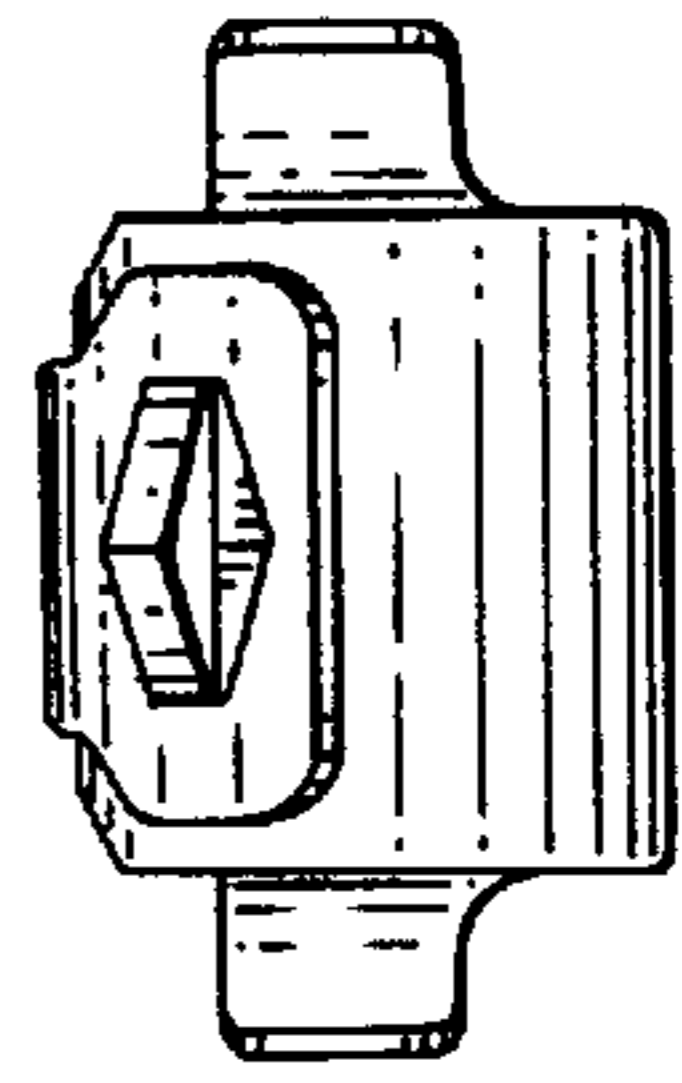


FIG. 6

