



US00D403211S

United States Patent [19]

[11] **Patent Number: Des. 403,211**

Weterrings

[45] **Date of Patent: **Dec. 29, 1998**

[54] **ADJUSTABLE SCOOP**

5,347,865 9/1994 Mulry et al. 73/427
5,448,913 9/1995 Robbins et al. 73/429

[75] Inventor: **Frans M. Weterrings**, Florence, Ala.

Primary Examiner—Terry A. Wallace
Attorney, Agent, or Firm—Whitman Breed Abbott & Morgan LLC; Gregor N. Neff

[73] Assignee: **Robbins Industries, Inc.**, Florence, Ala.

[**] Term: **14 Years**

[57] **CLAIM**

[21] Appl. No.: **84,111**

The ornamental design for an adjustable scoop, as shown and described.

[22] Filed: **Feb. 24, 1998**

DESCRIPTION

[51] **LOC (6) Cl.** **07-02**

FIG. 1 is a perspective view of an adjustable scoop showing my new design;
FIG. 2 is a side elevation view thereof;
FIG. 3 is a top plan view thereof;
FIG. 4 is a bottom plan view thereof;
FIG. 5 is a left side elevation view thereof;
FIG. 6 is a right side elevation view thereof; and,
FIG. 7 is a perspective view thereof in an alternate position.

[52] **U.S. Cl.** **D7/691; D10/46.2**

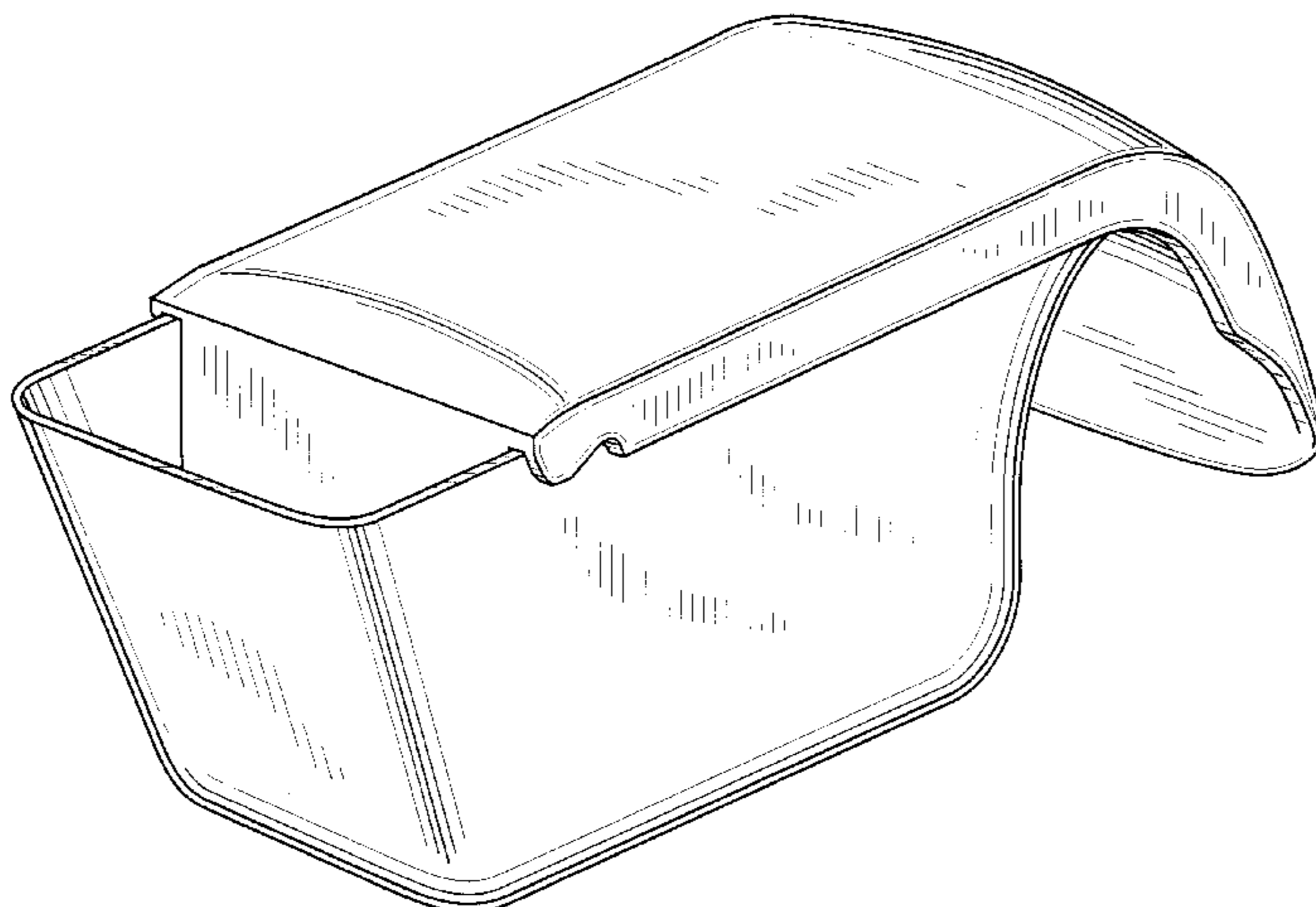
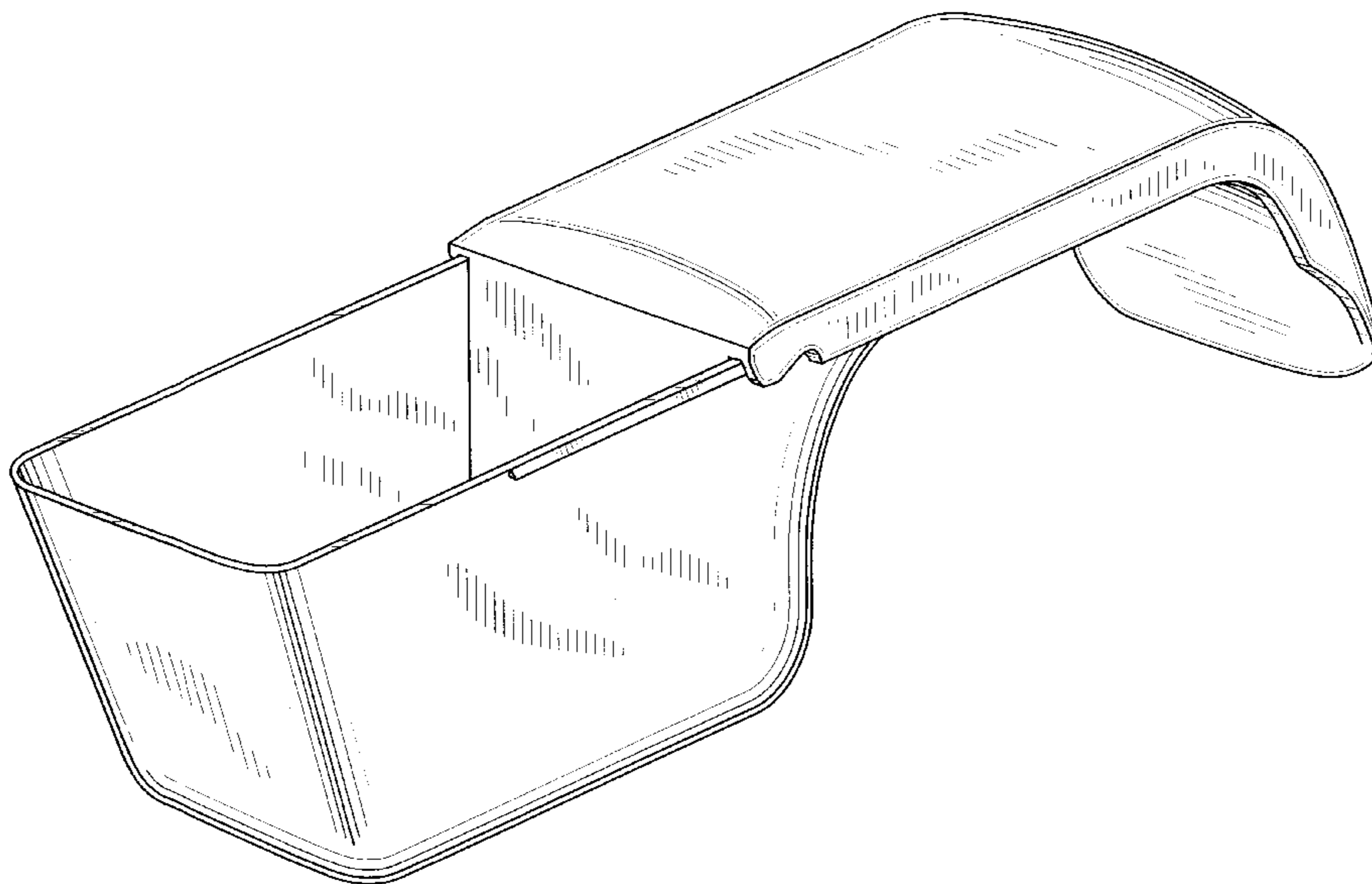
[58] **Field of Search** D7/691, 692, 653;
D10/46.2, 46.3; 30/324–328; 73/426–429

[56] **References Cited**

U.S. PATENT DOCUMENTS

D. 330,997 11/1992 Spahni, Jr. et al. D7/691
D. 344,686 3/1994 Weterrings D10/46.2

1 Claim, 4 Drawing Sheets



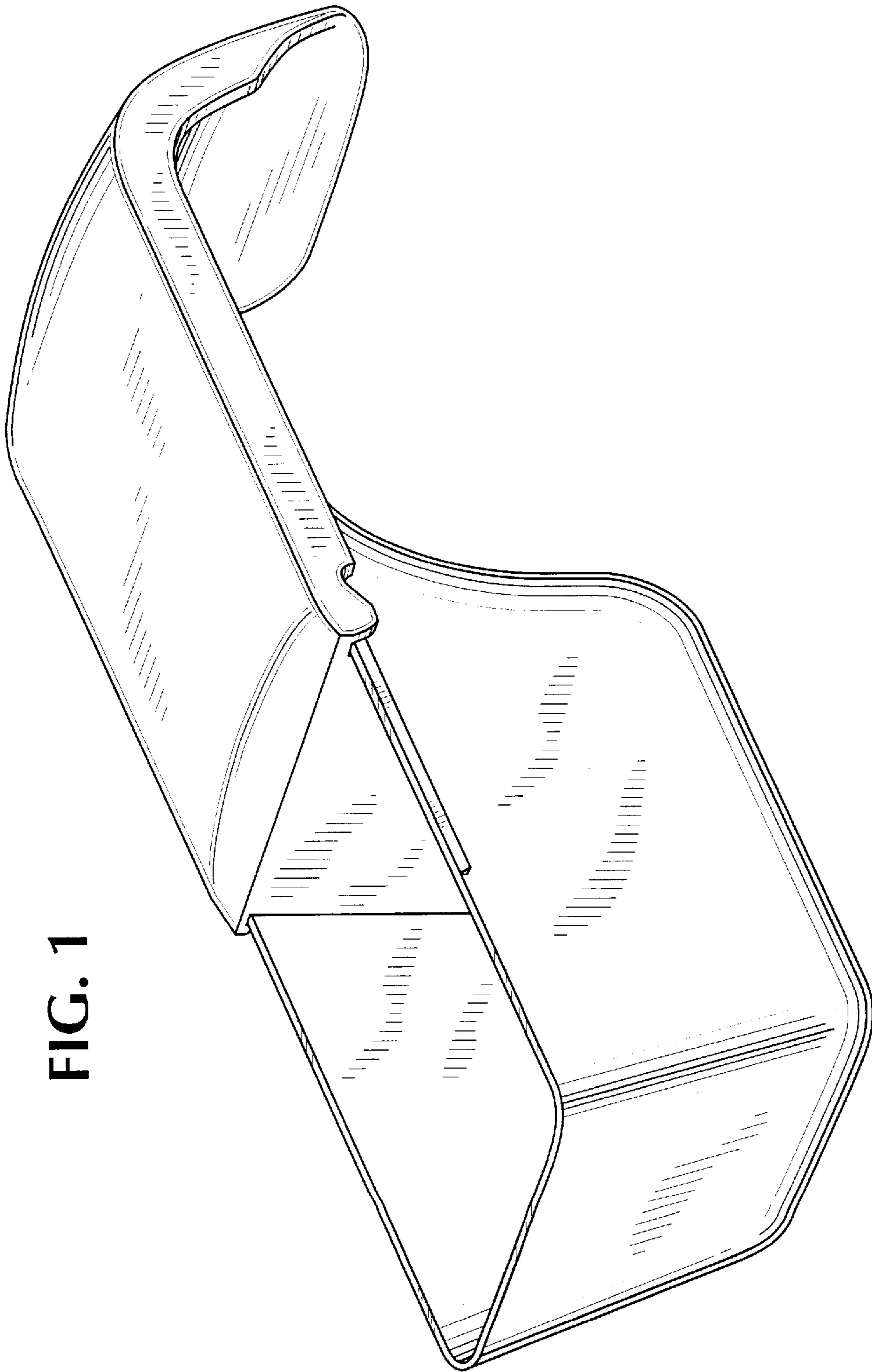


FIG. 1

FIG. 2

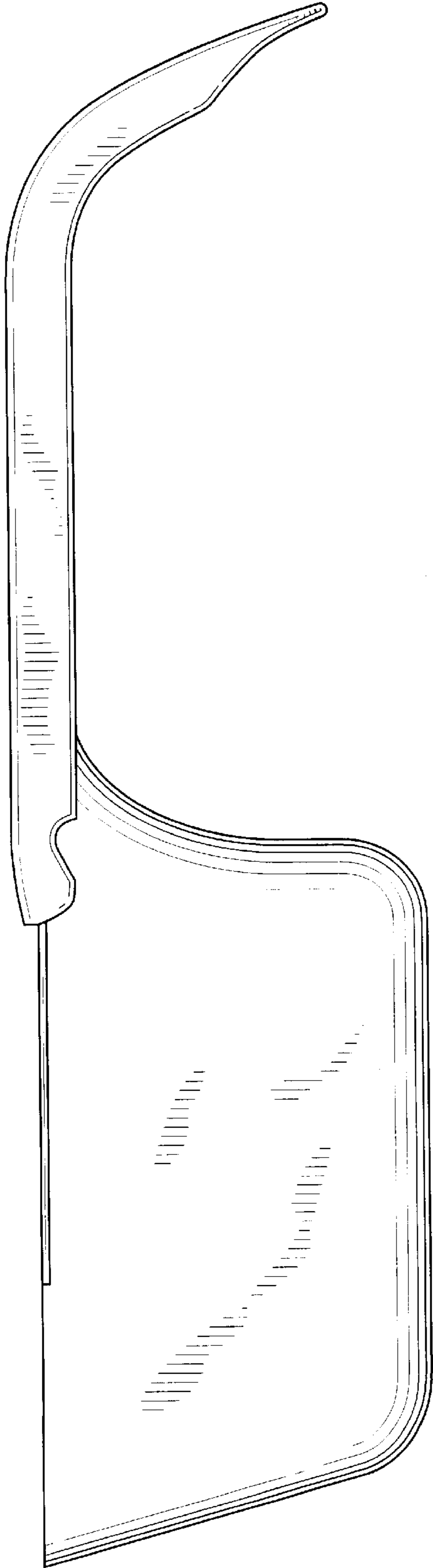


FIG. 3

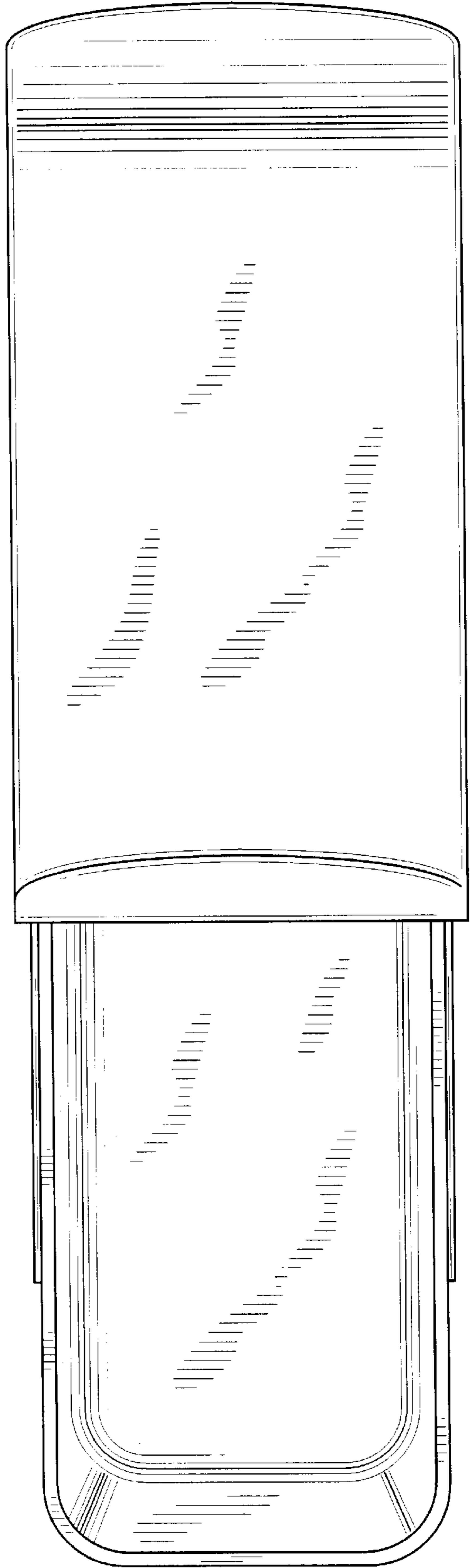


FIG. 4

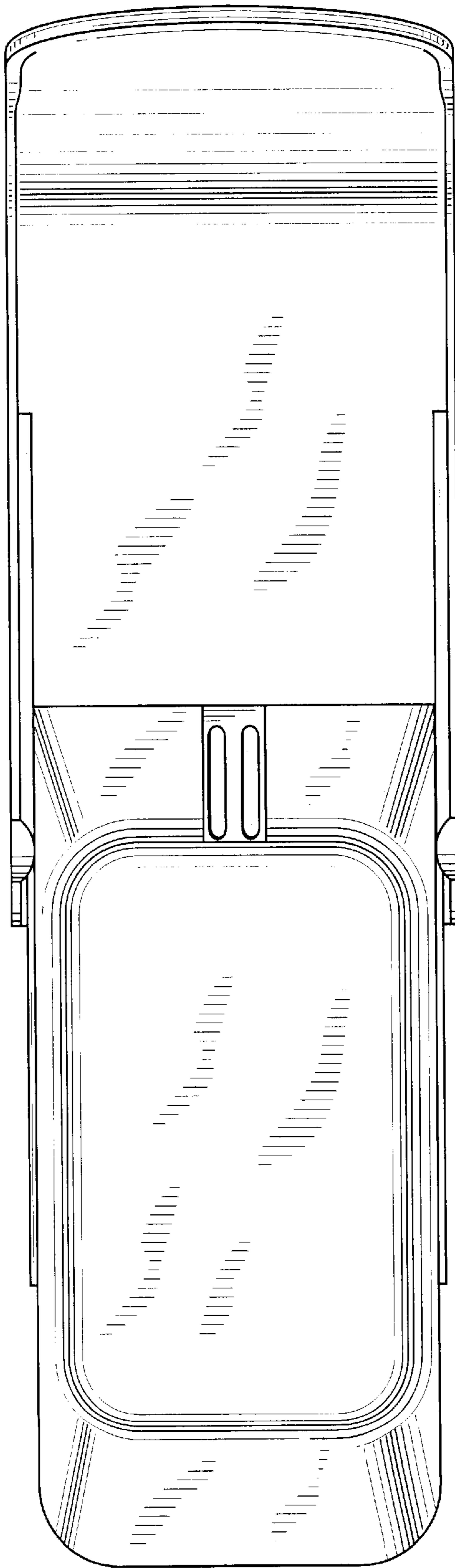


FIG. 5

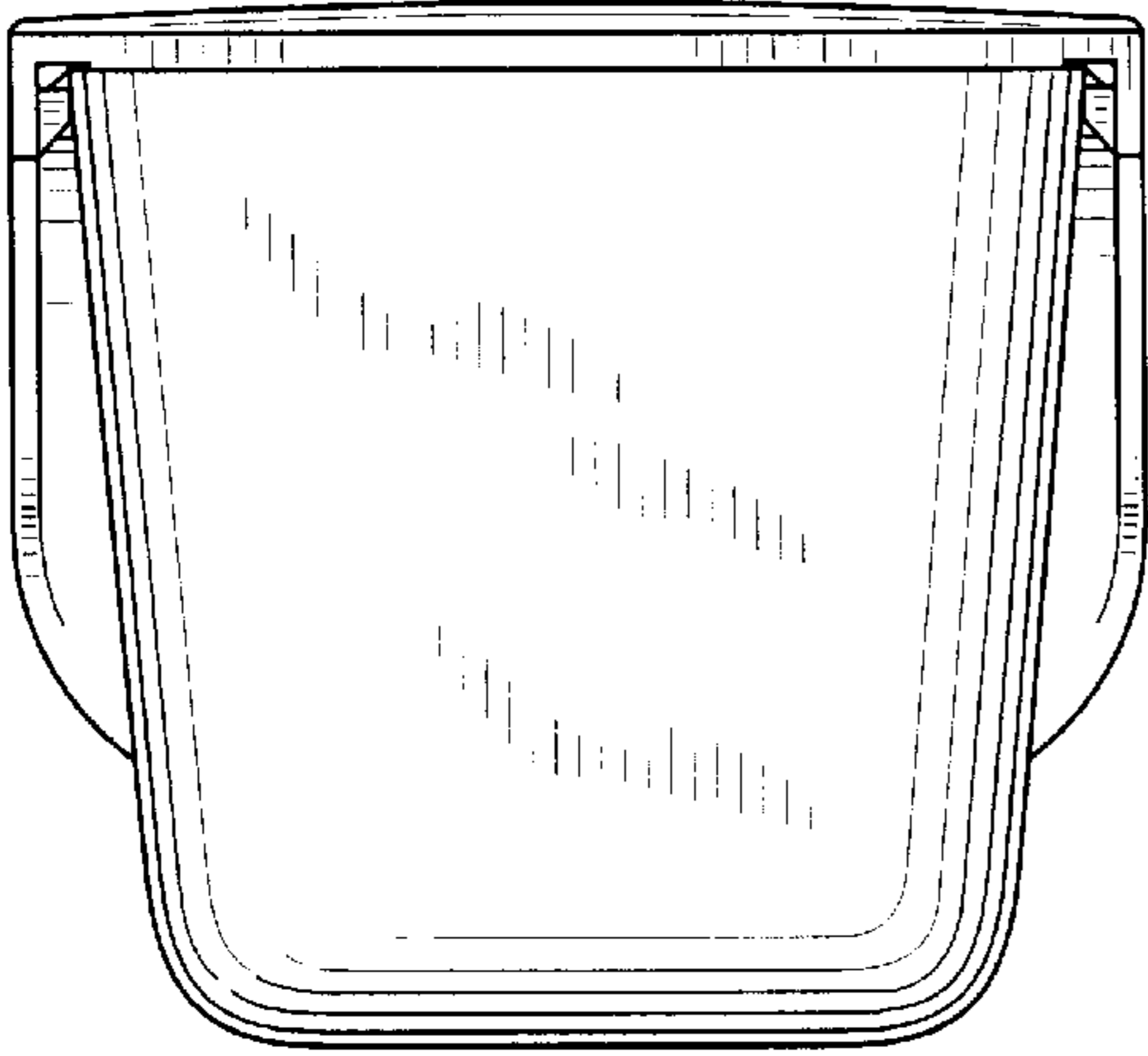


FIG. 6

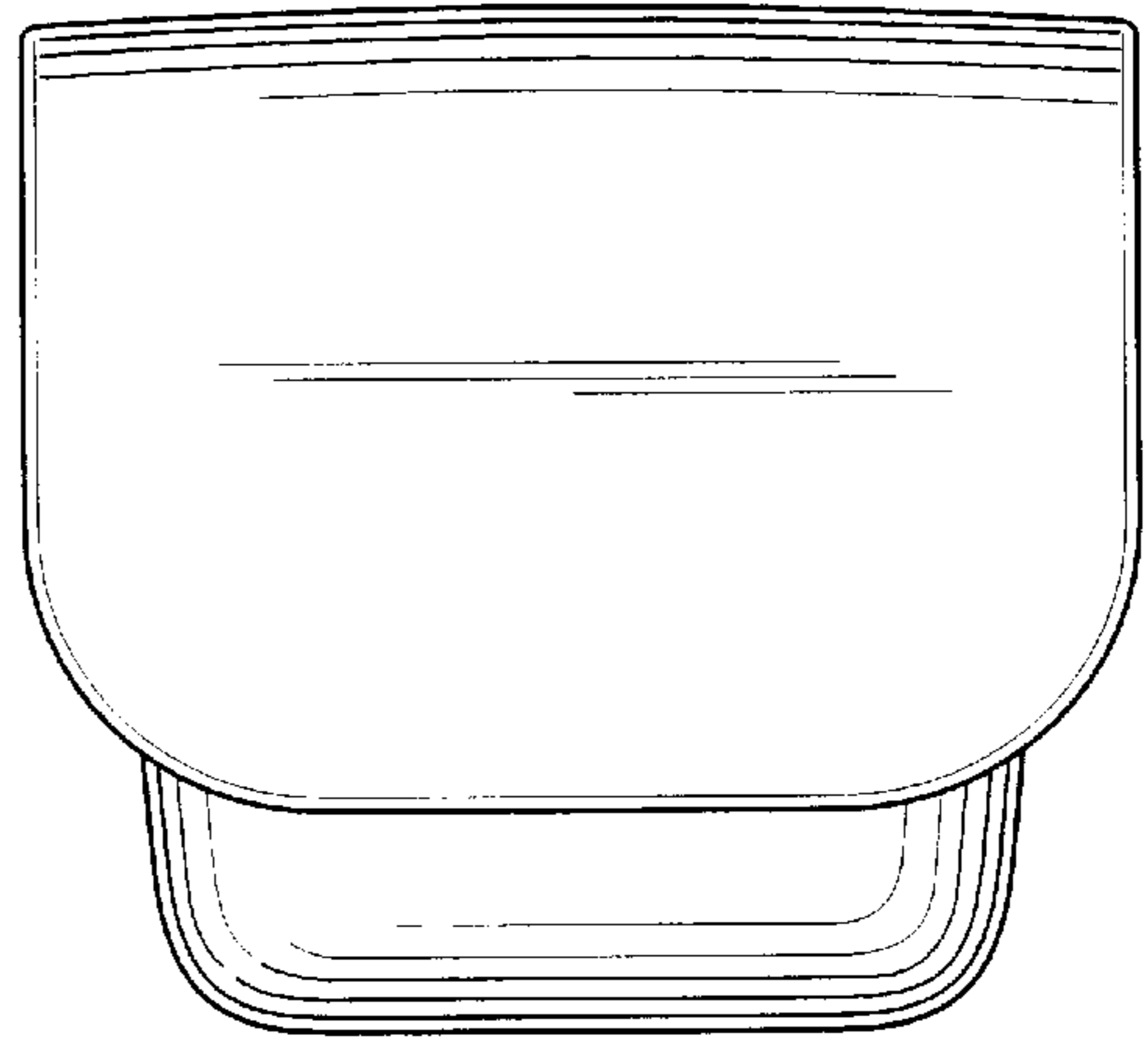


FIG. 7

