



US00D403204S

United States Patent [19]
Kwok

[11] **Patent Number: Des. 403,204**

[45] **Date of Patent: **Dec. 29, 1998**

[54] **HANDLE FOR KITCHEN TOOLING**

[75] Inventor: **Jimmy N. W. Kwok**, Hong Kong,
Hong Kong

[73] Assignee: **Golden Sun Housewares
Manufacturing Ltd.**, Kowloon, Hong
Kong

[**] Term: **14 Years**

[21] Appl. No.: **82,015**

[22] Filed: **Jan. 13, 1998**

[51] **LOC (6) Cl.** **07-02**

[52] **U.S. Cl.** **D7/401.2; D7/649**

[58] **Field of Search** **D7/642, 645, 649,
D7/650, 652; 30/147-150, 340, 342-344,
345**

[56] **References Cited**

U.S. PATENT DOCUMENTS

- D. 136,445 10/1943 Gerber D7/649
- D. 323,448 1/1992 Salviato D7/649

Primary Examiner—Caron D. Veynar
Attorney, Agent, or Firm—Alix, Yale & Ristas, LLP

[57] **CLAIM**

The ornamental design for a handle for kitchen tooling, as shown and described.

DESCRIPTION

FIG. 1 is a perspective view of the handle for kitchen tooling showing my new design, the broken line showing of a blade is for illustrative purposes only and forms no part of the claimed design;

FIG. 2 is a front elevation view thereof, the broken line showing of a blade is for illustrative purposes only and forms no part of the claimed design;

FIG. 3 is a rear elevation view thereof, the broken line showing of a blade is for illustrative purposes only and forms no part of the claimed design;

FIG. 4 is a top plan view thereof, the broken line showing of a blade is for illustrative purposes only and forms no part of the claimed design;

FIG. 5 is a bottom plan view thereof, the broken line showing of a blade is for illustrative purposes only and forms no part of the claimed design;

FIG. 6 is an end view of FIG. 1 viewed from the left;

FIG. 7 is an end view of FIG. 1 viewed from the right;

FIG. 8 is a perspective view thereof;

FIG. 9 is a front elevation view thereof;

FIG. 10 is a top plan view thereof;

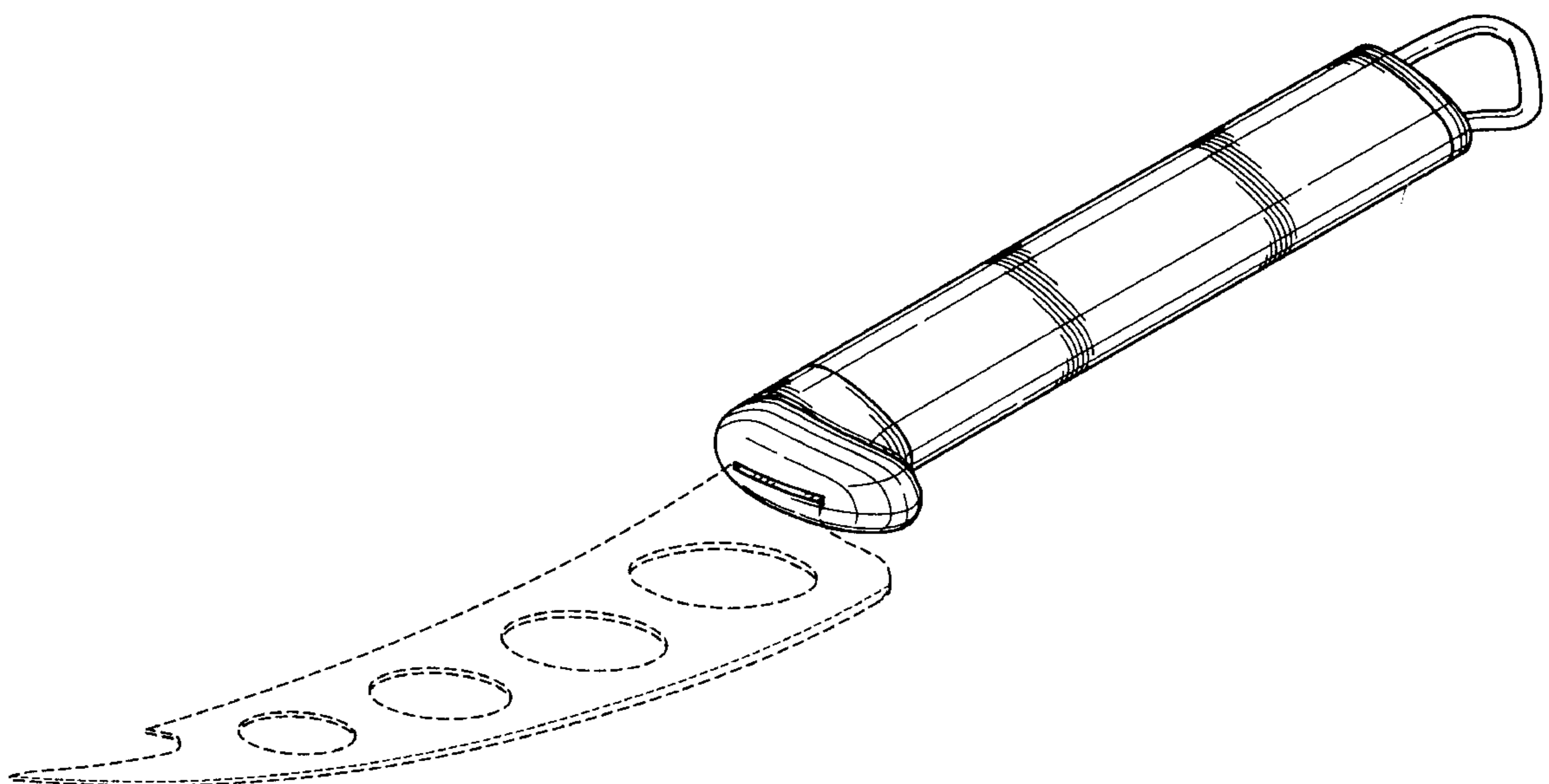
FIG. 11 is a rear elevation view thereof;

FIG. 12 is a bottom plan view thereof;

FIG. 13 is an end view of FIG. 8 viewed from the left; and,

FIG. 14 is an end view of FIG. 8 viewed from the right.

1 Claim, 5 Drawing Sheets



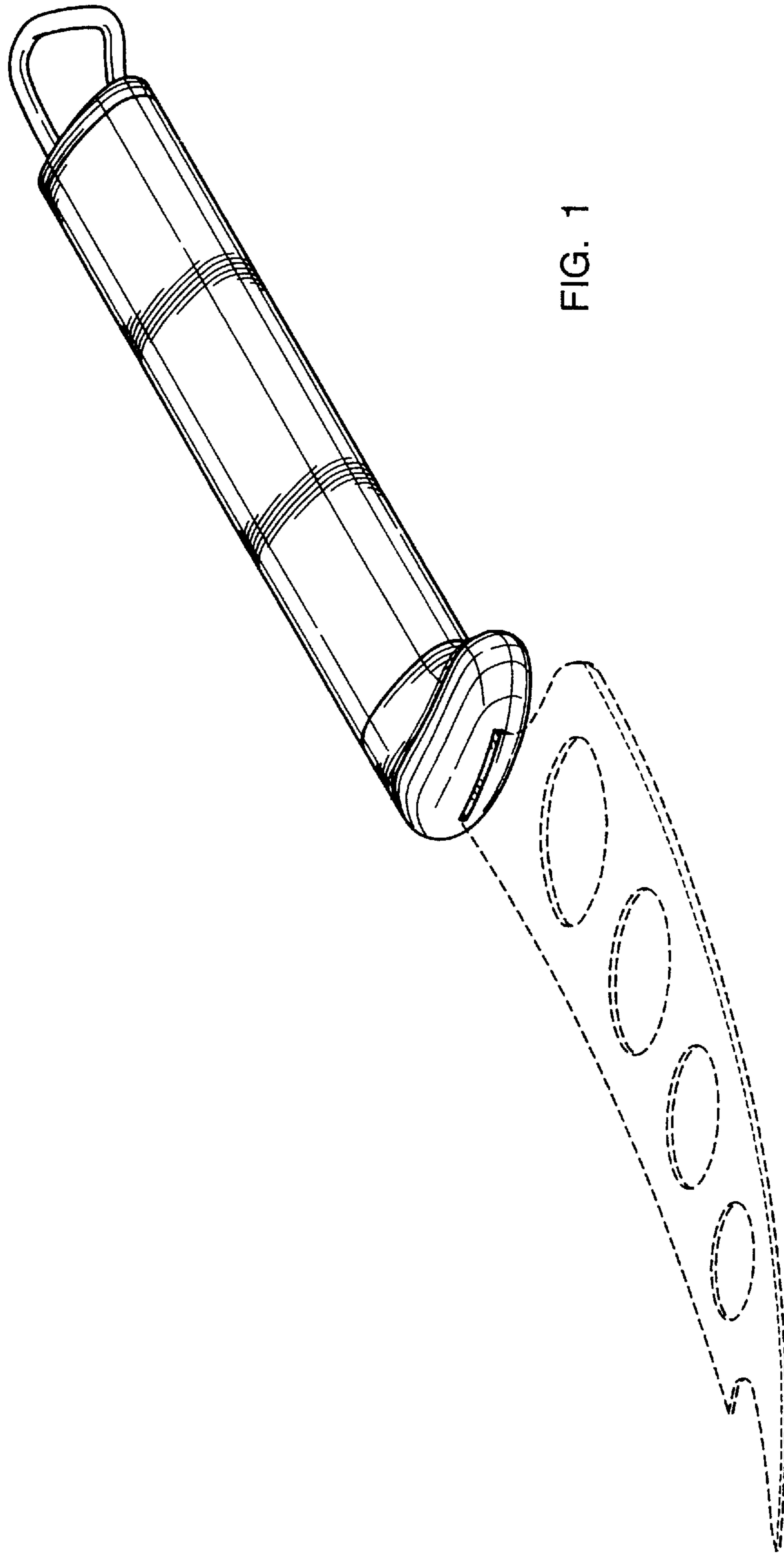


FIG. 1

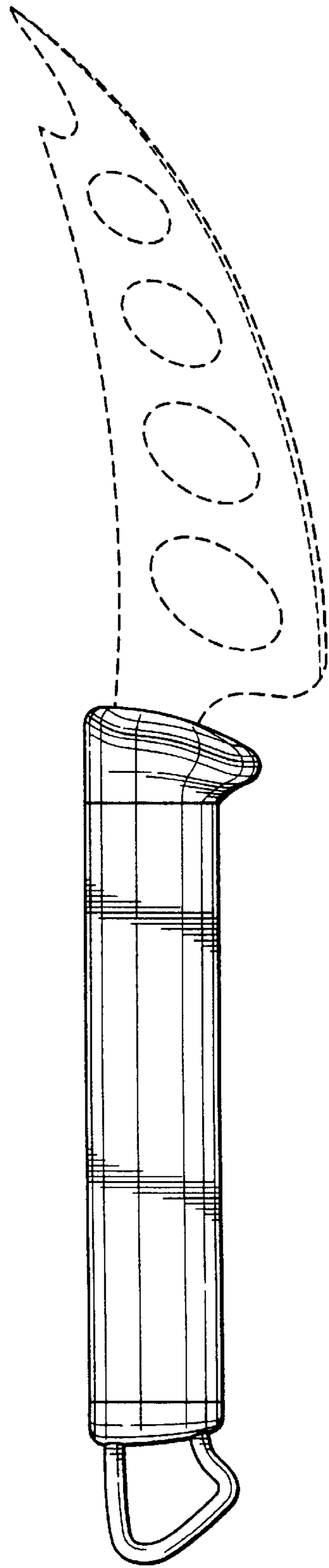


FIG. 2

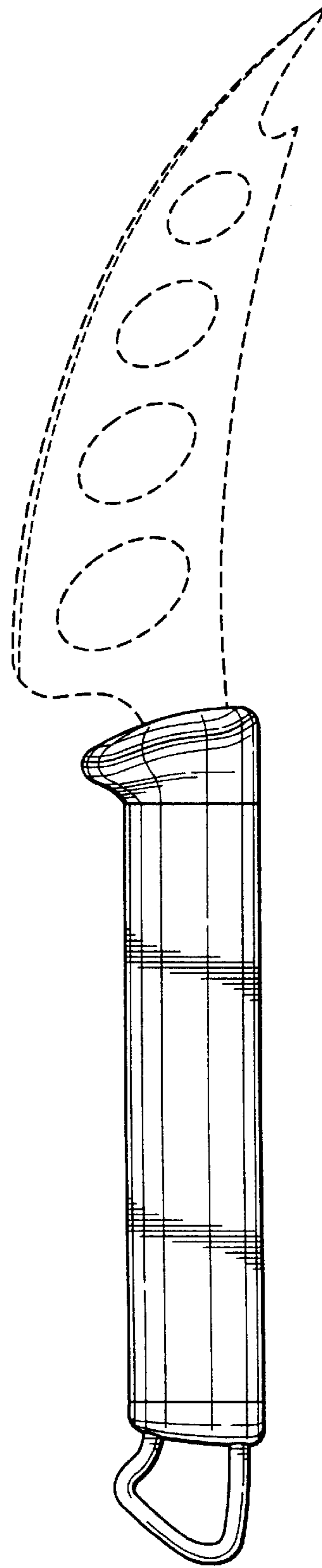


FIG. 3

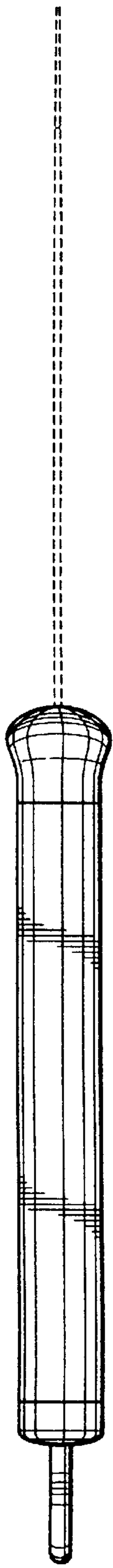


FIG. 4

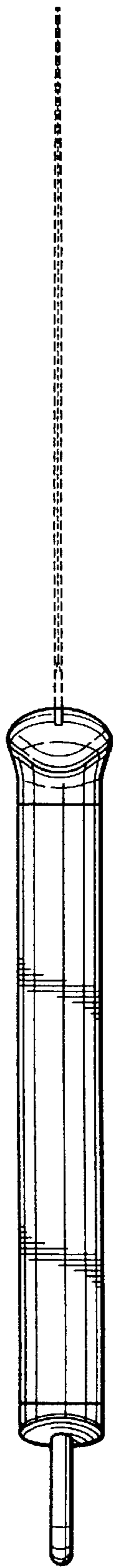


FIG. 5

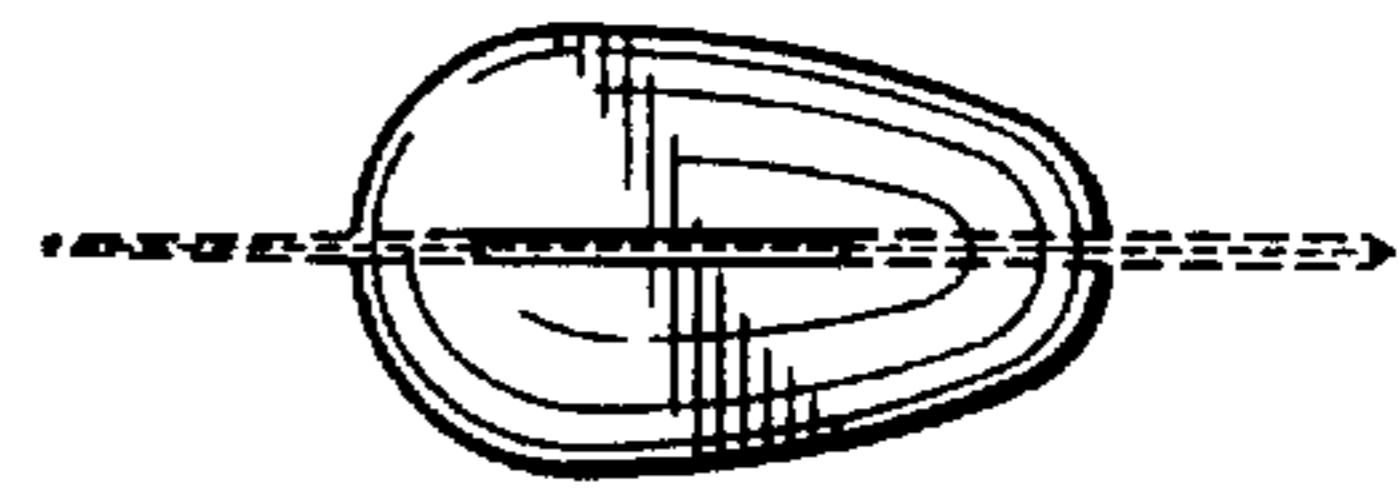


FIG. 6

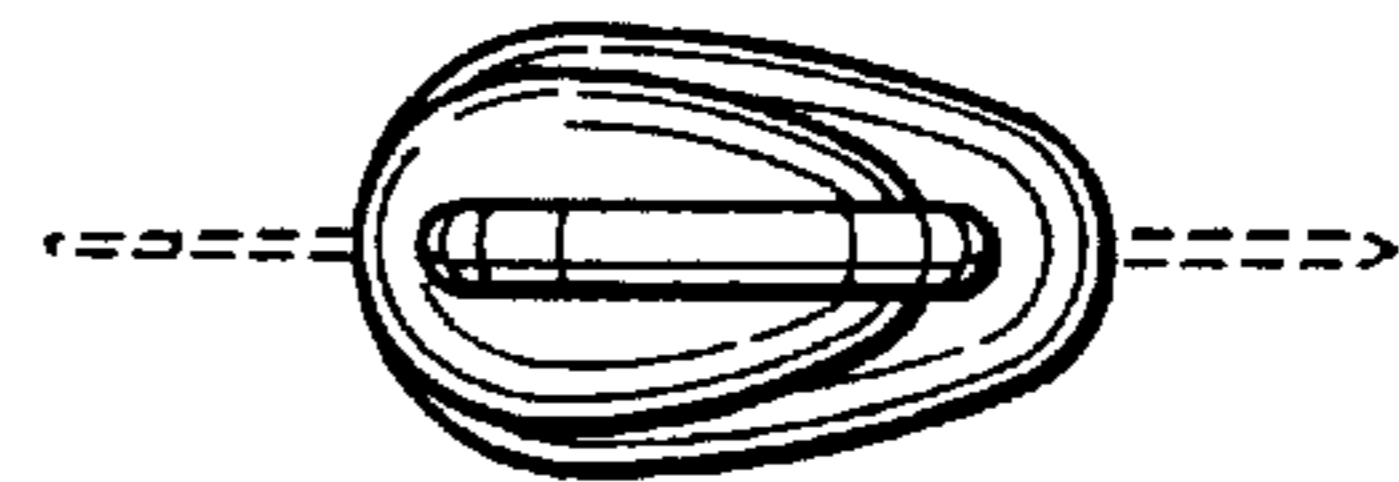


FIG. 7

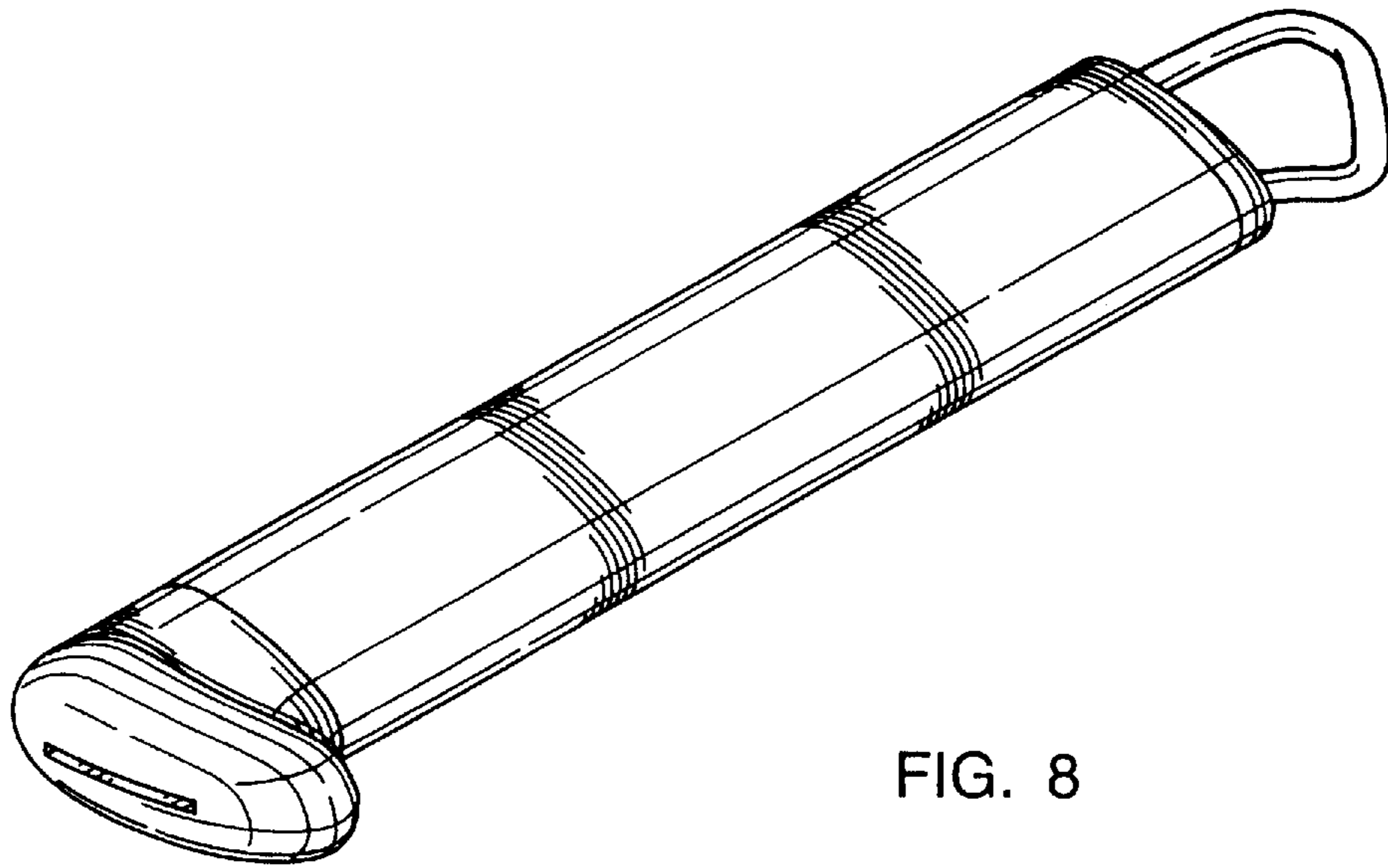


FIG. 8

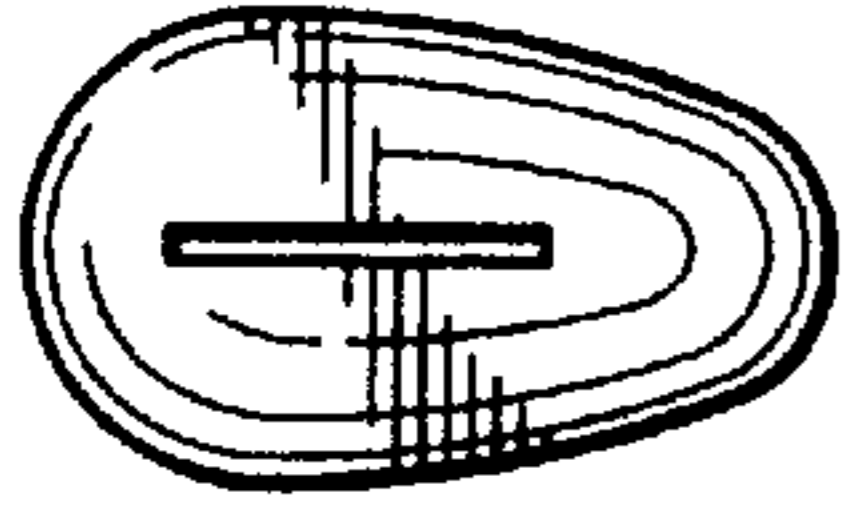


FIG. 13

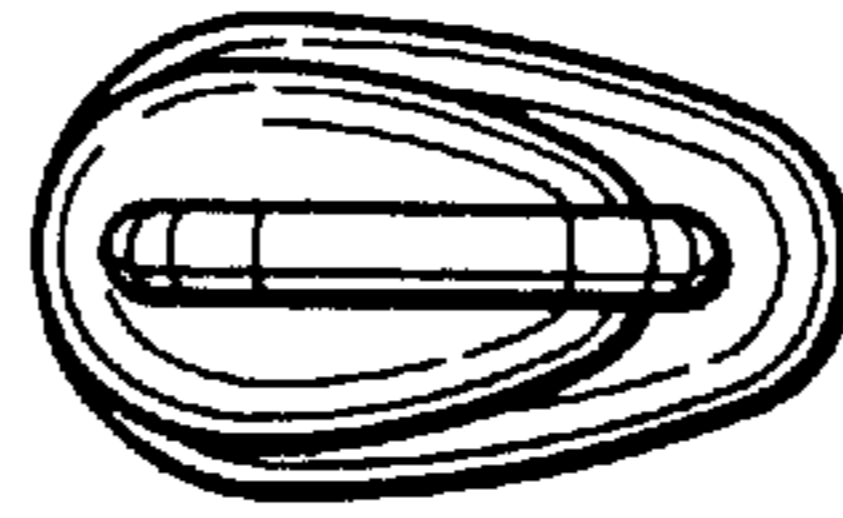


FIG. 14

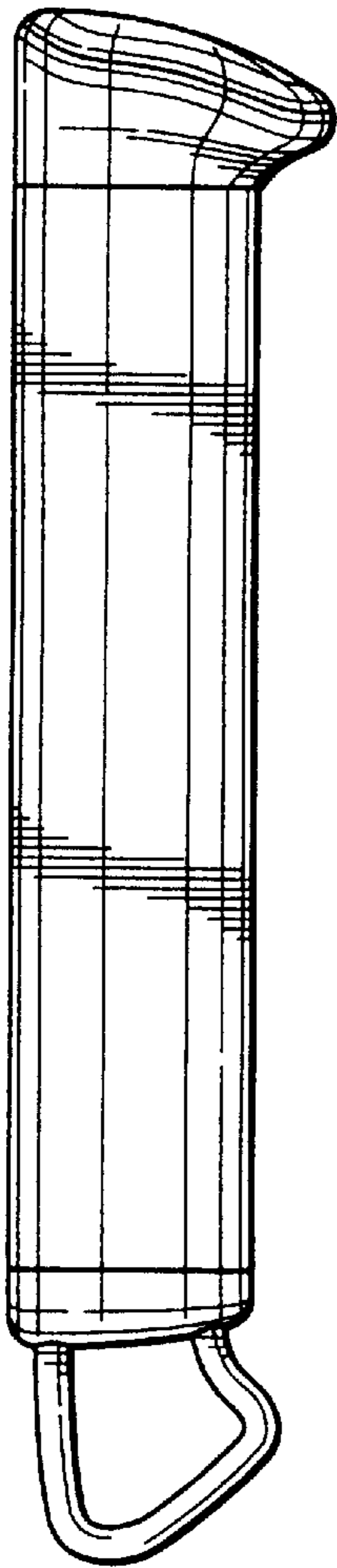


FIG. 9

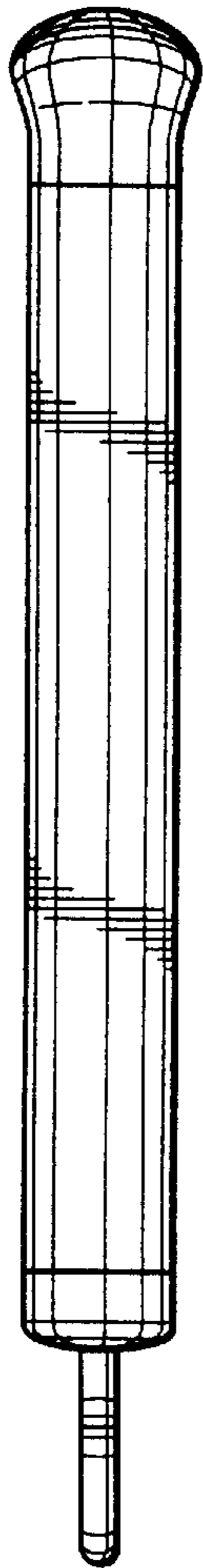


FIG. 10

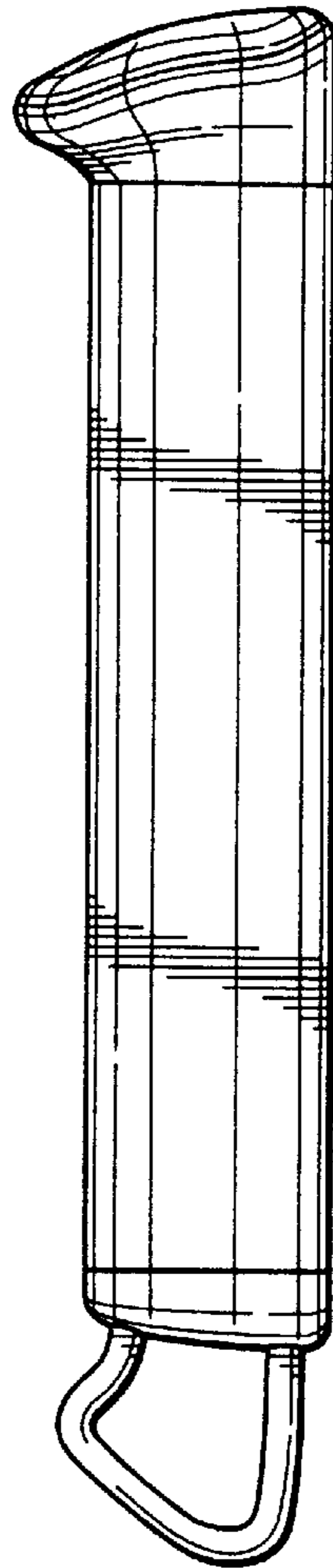


FIG. 11

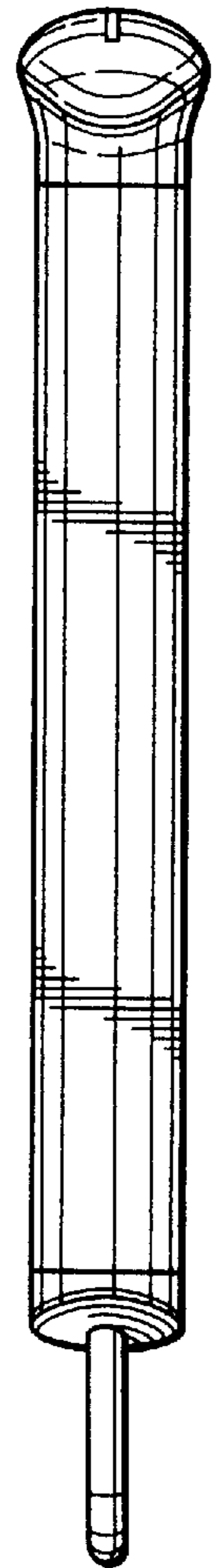


FIG. 12