



US00D403203S

United States Patent [19]

Ruck et al.

[11] Patent Number: **Des. 403,203**

[45] Date of Patent: ****Dec. 29, 1998**

[54] **BLENDER LID**

[75] Inventors: **Robin W. Ruck**, Southbury; **James F. Podpolucha**, Ansonia, both of Conn.

[73] Assignee: **Conair Corporation**, Stamford, Conn.

[*] Notice: The term of this patent shall not extend beyond the expiration date of Pat. No. Des. 396, 993.

[**] Term: **14 Years**

[21] Appl. No.: **54,524**

[22] Filed: **May 16, 1996**

Related U.S. Application Data

[63] Continuation-in-part of Ser. No. 34,838, Feb. 13, 1995.

[51] **LOC (6) Cl.** **31-00**

[52] **U.S. Cl.** **D7/391; D7/412**

[58] **Field of Search** D7/376-386, 412-415, D7/387; 99/511; 206/527; 241/37.5, 282.1, 101.1, 101.2; 346/1.1

[56] References Cited

U.S. PATENT DOCUMENTS

D. 277,255 1/1985 Deruntz D7/387

D. 280,692	9/1985	Sullivan	D7/387 X
D. 289,848	5/1987	Cowan	D7/387
D. 292,365	10/1987	Bozarth	D7/387
3,627,008	12/1971	Samuelian	D7/413 X
5,003,322	3/1991	Creagh et al.	346/1.1
5,392,699	2/1995	Tai	99/492
5,405,096	4/1995	Seol	241/282.1

Primary Examiner—Caron D. Veynar
Attorney, Agent, or Firm—Ohlandt, Greeley, Ruggiero & Perle

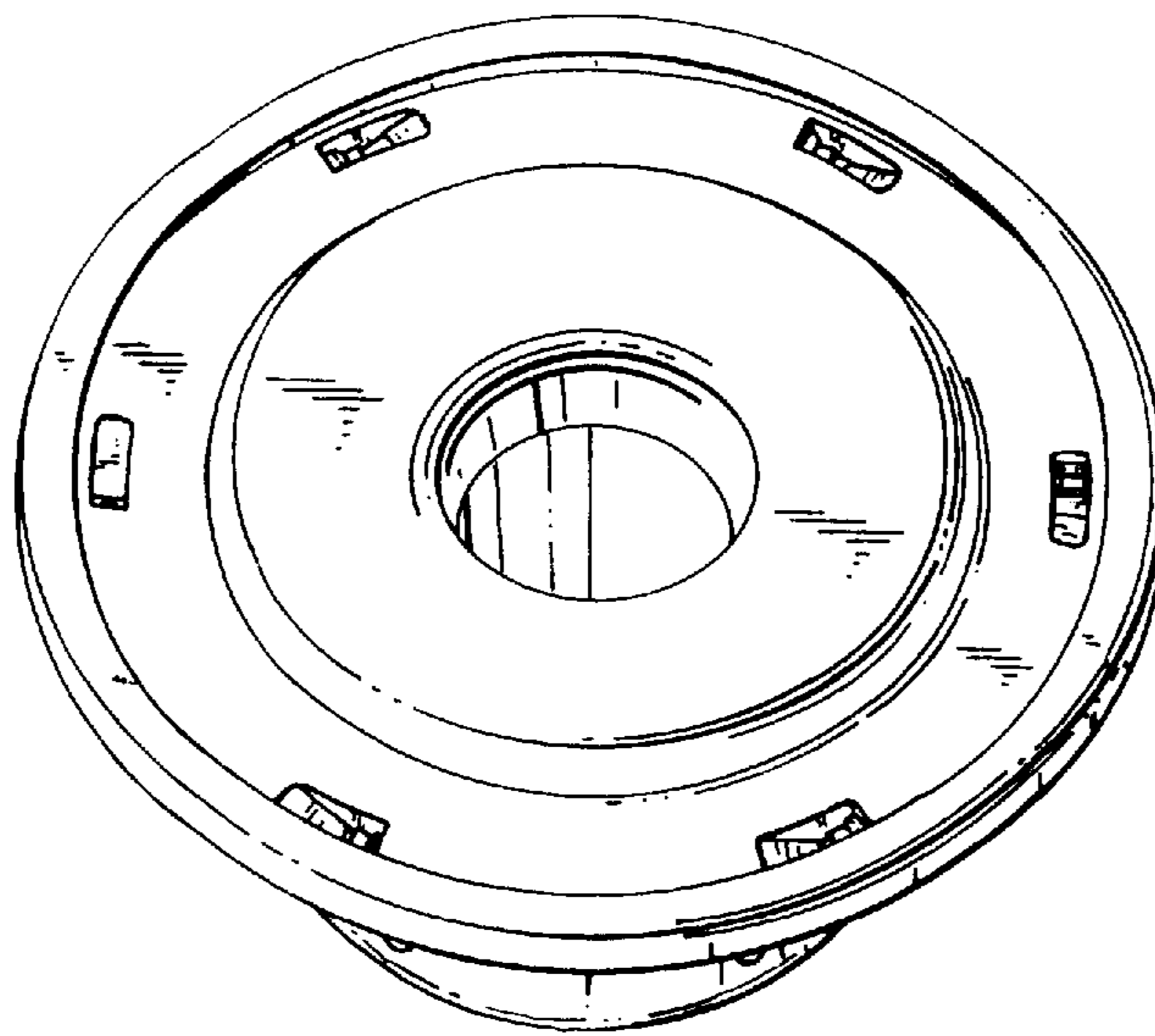
[57] CLAIM

The ornamental design for a blender lid, as shown and described.

DESCRIPTION

FIG. 1 is a perspective view of the blender lid showing our new design;
FIG. 2 is a side view of the design for a blender lid of the present invention, all sides being identical;
FIG. 3 is a top view of the design for a blender lid of the present invention;
FIG. 4 is a bottom view of the design for a blender lid of the present invention; and,
FIG. 5 is a cross sectional view taken along line 5—5 in FIG. 2.

1 Claim, 2 Drawing Sheets



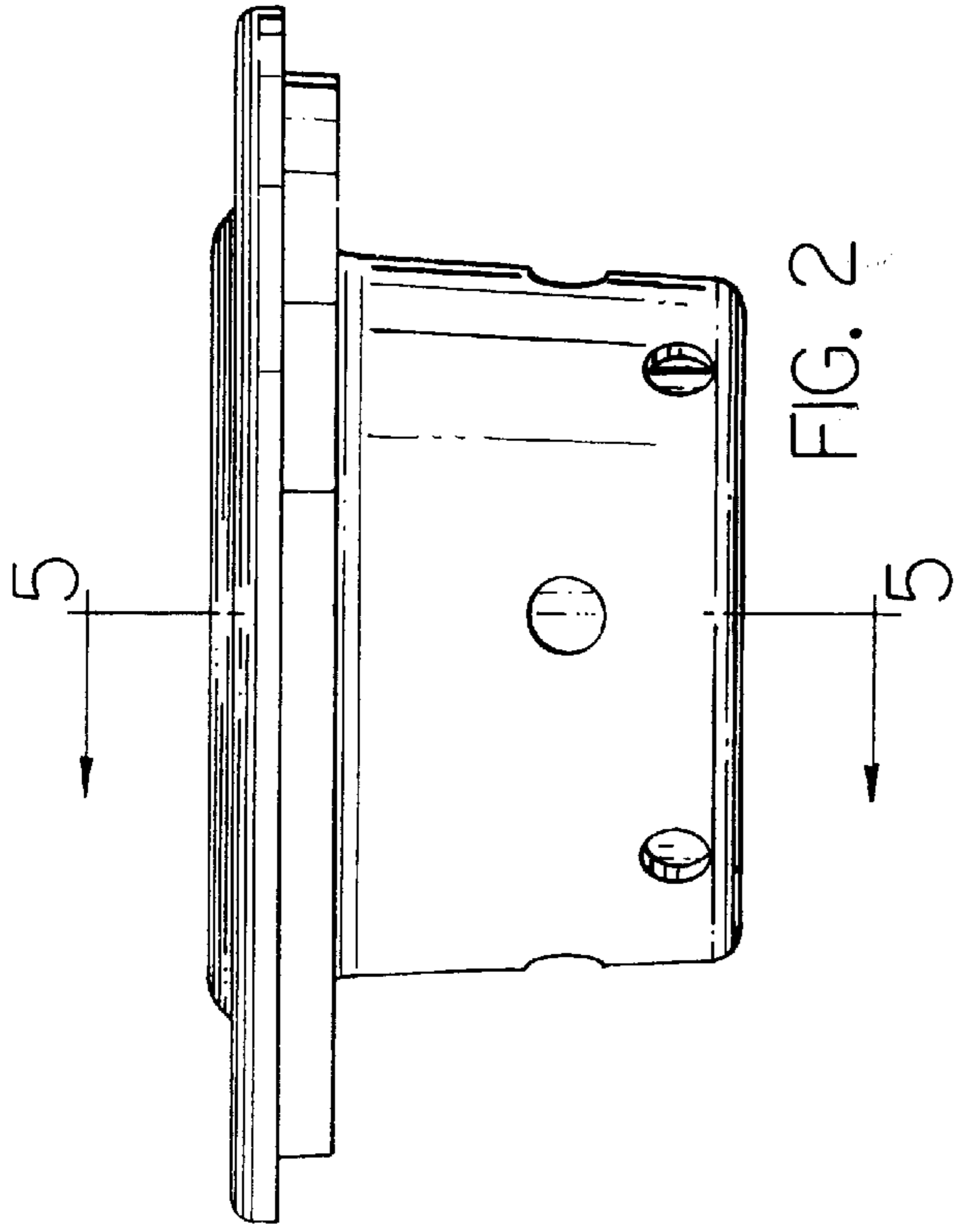


FIG. 2

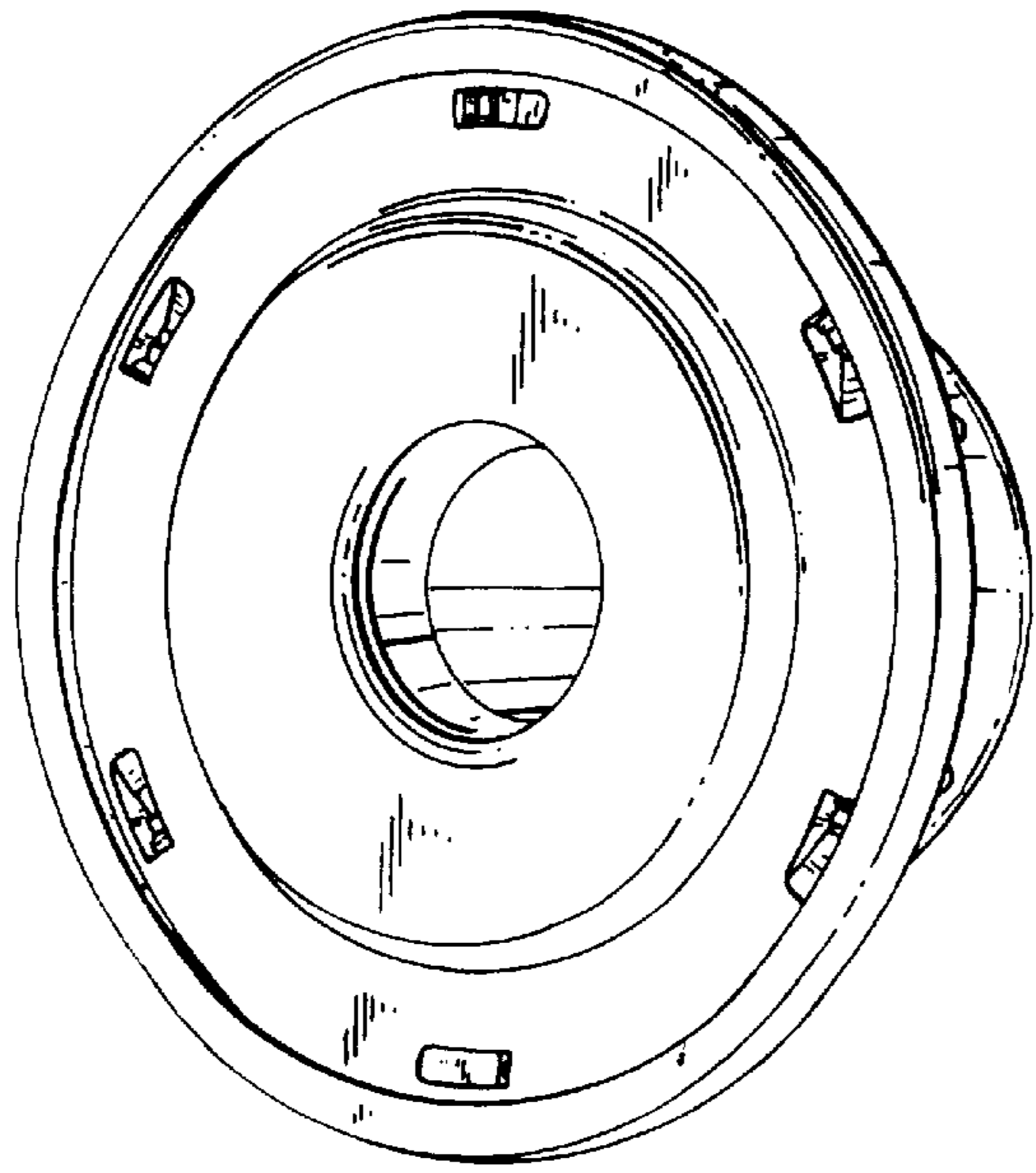


FIG. 1

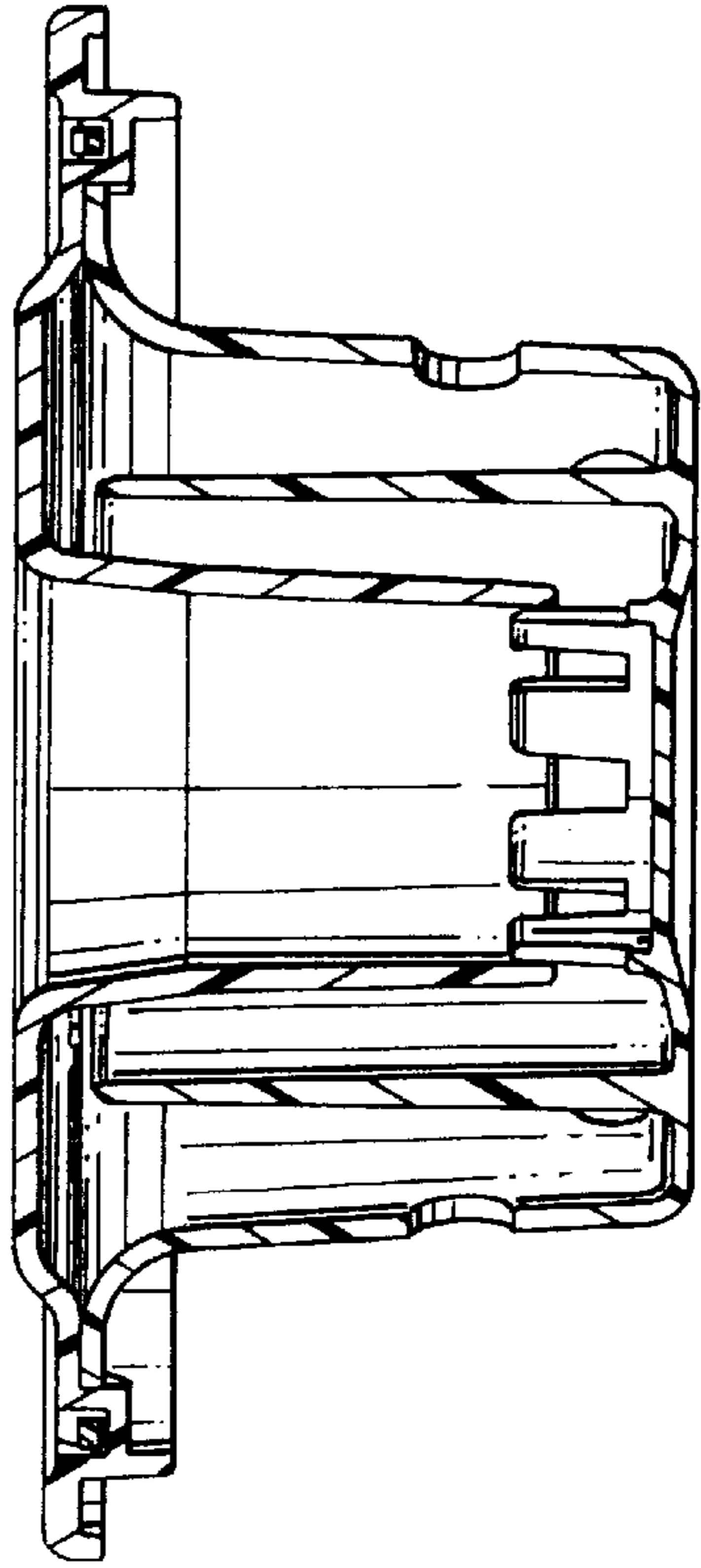


FIG. 5

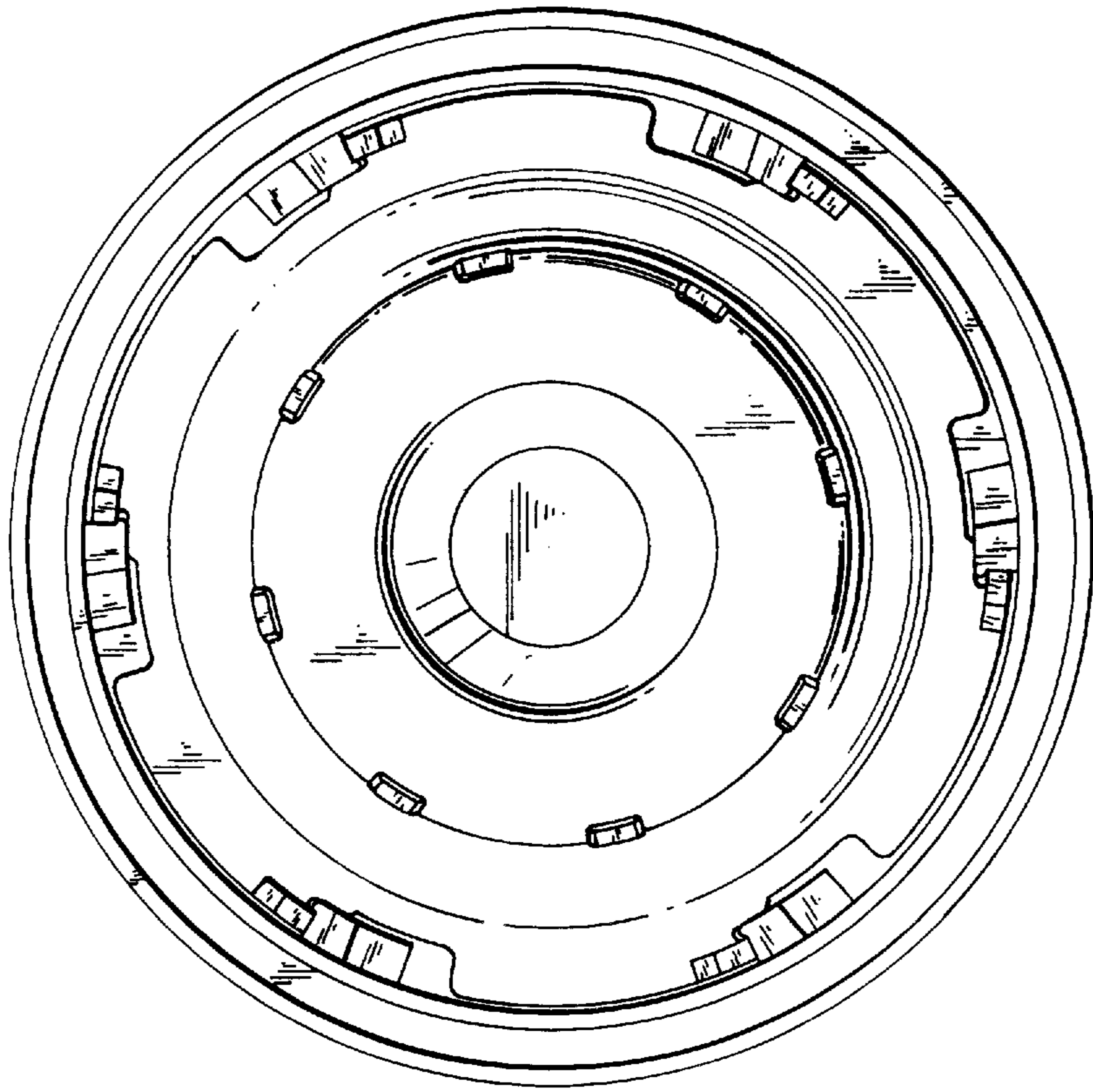


FIG. 4

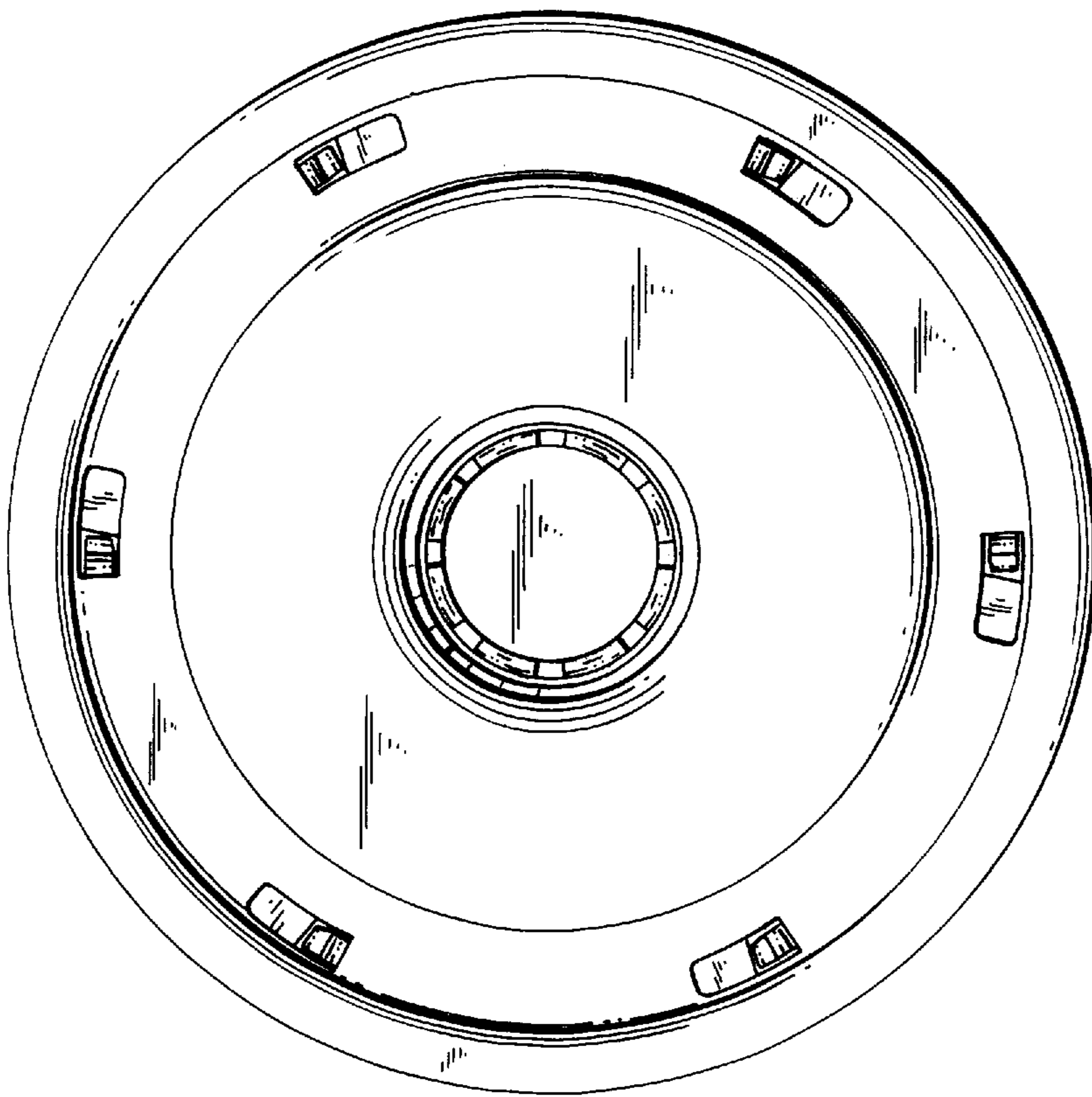


FIG. 3