



US00D403201S

**United States Patent** [19]  
**Cruz et al.**

[11] **Patent Number: Des. 403,201**  
[45] **Date of Patent: \*\*Dec. 29, 1998**

[54] **TOASTER OVEN**

[75] Inventors: **Anthony V. Cruz**, Richmond; **Steven W. Ashworth**, Glenn Allen, both of Va.

[73] Assignee: **Hamilton Beach/Proctor-Silex, Inc.**, Glen Allen, Pa.

[\*\*] Term: **14 Years**

[21] Appl. No.: **64,700**

[22] Filed: **Jan. 9, 1997**

[51] **LOC (6) Cl.** ..... **07-02**

[52] **U.S. Cl.** ..... **D7/350**

[58] **Field of Search** ..... D7/350, 351, 405;  
126/275 R, 275 E, 273 R, 273 A, 19 M,  
21 A; 219/756-758, 678, 680

[56] **References Cited**

**U.S. PATENT DOCUMENTS**

- D. 299,306 1/1989 Yoshida ..... D7/351
- D. 301,428 6/1989 Viancin ..... D7/350

(List continued on next page.)

**OTHER PUBLICATIONS**

The 96/97 Jewelry, Gift and Home Catalog (vol. 27), front and rear covers and pp. 248-249, published by Service Merchandise Co., Inc., Nashville, TN, 1996.

(List continued on next page.)

*Primary Examiner*—Ruth McInroy  
*Attorney, Agent, or Firm*—Roger S. Dybvig

[57] **CLAIM**

The ornamental design for a toaster oven, as shown and described.

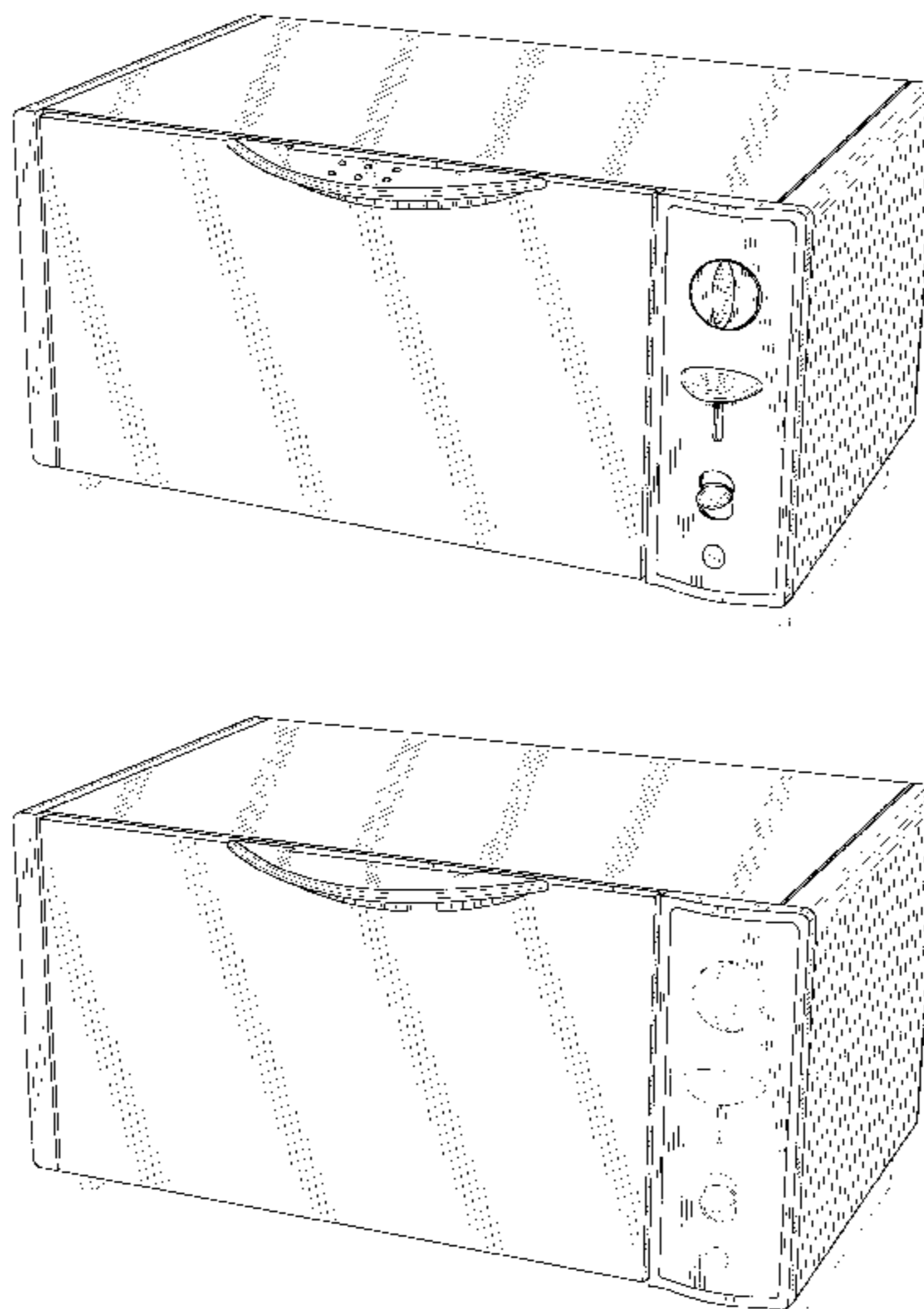
**DESCRIPTION**

FIG. 1 is a perspective view as seen from the top, front and left side of a toaster oven showing our new design;

FIG. 2 is a front elevational view thereof;  
 FIG. 3 is a top plan view thereof;  
 FIG. 4 is a left side elevational view thereof;  
 FIG. 5 is right side elevational view thereof;  
 FIG. 6 is a rear elevational view thereof;  
 FIG. 7 is a bottom plan view thereof;  
 FIG. 8 is a perspective view as seen from the top, front and left side of a toaster oven showing a second embodiment thereof;  
 FIG. 9 is a front elevational view thereof;  
 FIG. 10 is a top plan view thereof;  
 FIG. 11 is a left side elevational view thereof;  
 FIG. 12 is a right side elevational view thereof;  
 FIG. 13 is a rear elevational view thereof;  
 FIG. 14 is a bottom plan view thereof;  
 FIG. 15 is a perspective view as seen from the top, front and left side of a control panel thereof;  
 FIG. 16 is a front elevational view thereof, the rear of the control panel not being seen in normal use;  
 FIG. 17 is left side elevational view thereof;  
 FIG. 18 is a right side elevational view thereof;  
 FIG. 19 is a top plan view thereof;  
 FIG. 20 is a bottom plan view thereof;  
 FIG. 21 is a perspective view as seen from the top, front and left side of a control panel thereof, with the control knobs removed for clarity of illustration;  
 FIG. 22 is a front elevational view thereof, the rear of the control panel not being seen in normal use;  
 FIG. 23 is left side elevational view thereof;  
 FIG. 24 is a right side elevational view thereof; and,  
 FIG. 25 is a top plan view thereof, the bottom plan view thereof being a mirror image.

The control panels in FIGS. 15-25 are shown separate for clarity of illustration, the claim being directed to the entire oven (embodiments 1 and 2) shown in FIGS. 1-14. The support feet shown in broken lines in FIGS. 1, 2, 4-6, 8-9, and 11-13 and the control knobs shown in broken lines in FIGS. 8-12, 14 and 21 are for illustrative purposes only and form no part of the claimed design.

**1 Claim, 16 Drawing Sheets**



U.S. PATENT DOCUMENTS

D. 318,396	7/1991	Jung .....	D7/351
D. 329,353	9/1992	Yamada .....	D7/351
D. 334,688	4/1993	Kitae et al. ....	D7/351
D. 336,814	6/1993	Brookshire .....	D7/350
D. 380,643	7/1997	Piret .....	D7/350
D. 387,609	10/1996	Noda et al. ....	D7/351

OTHER PUBLICATIONS

General Merchandise Catalog 1990/91, front and rear covers and p. 198, published by Best Products Co., Inc., Richmond, VA, 1990.

1993/94 Catalog, front and rear covers and p. 9, published by Hamilton Beach/Proctor-Silex, Inc., Glen Allen, VA, 1993.

Product Catalog, front and rear covers and p. 11, published by Hamilton Beach/Proctor-Silex, Inc., Glen Allen, VA, 1992.

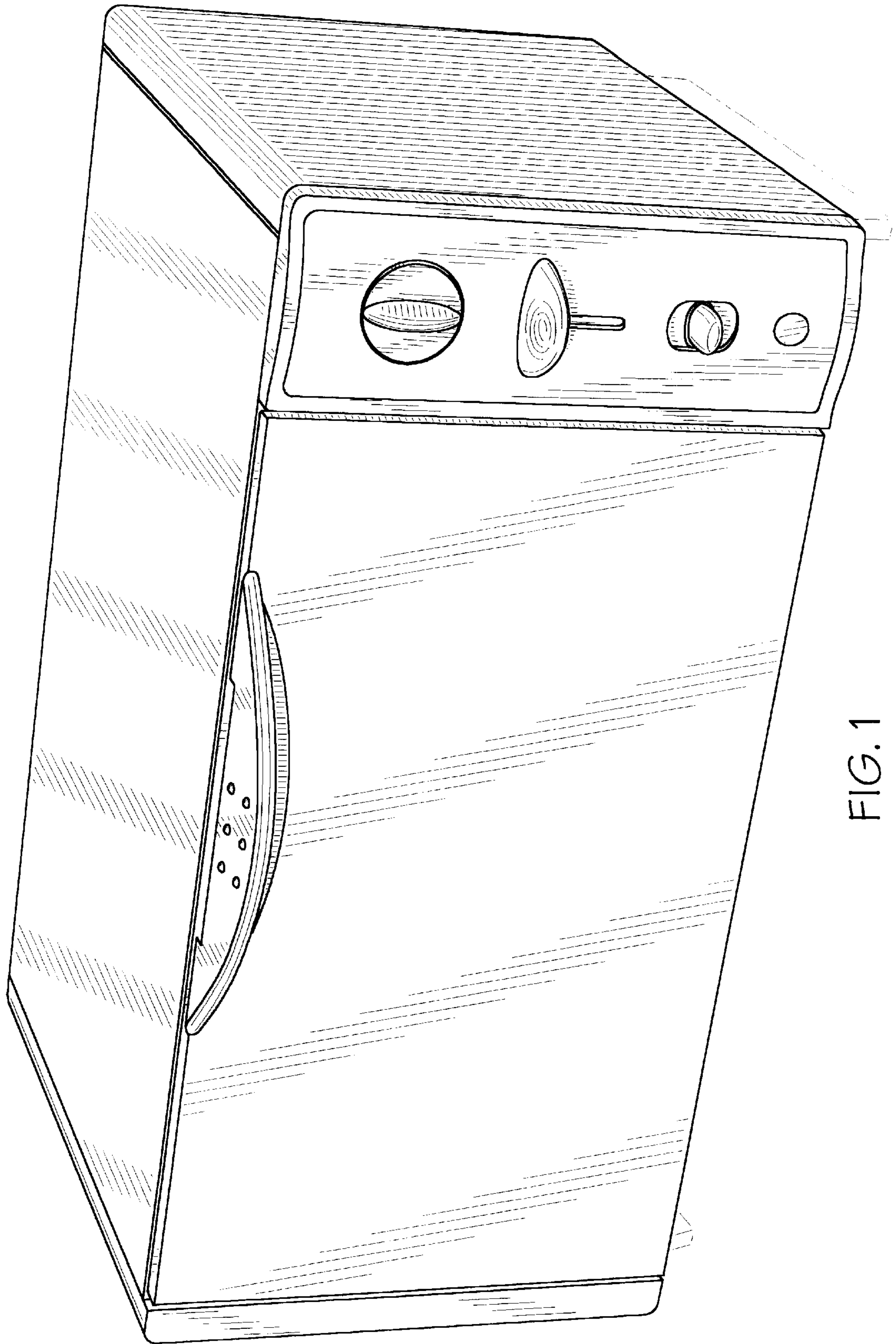


FIG. 1

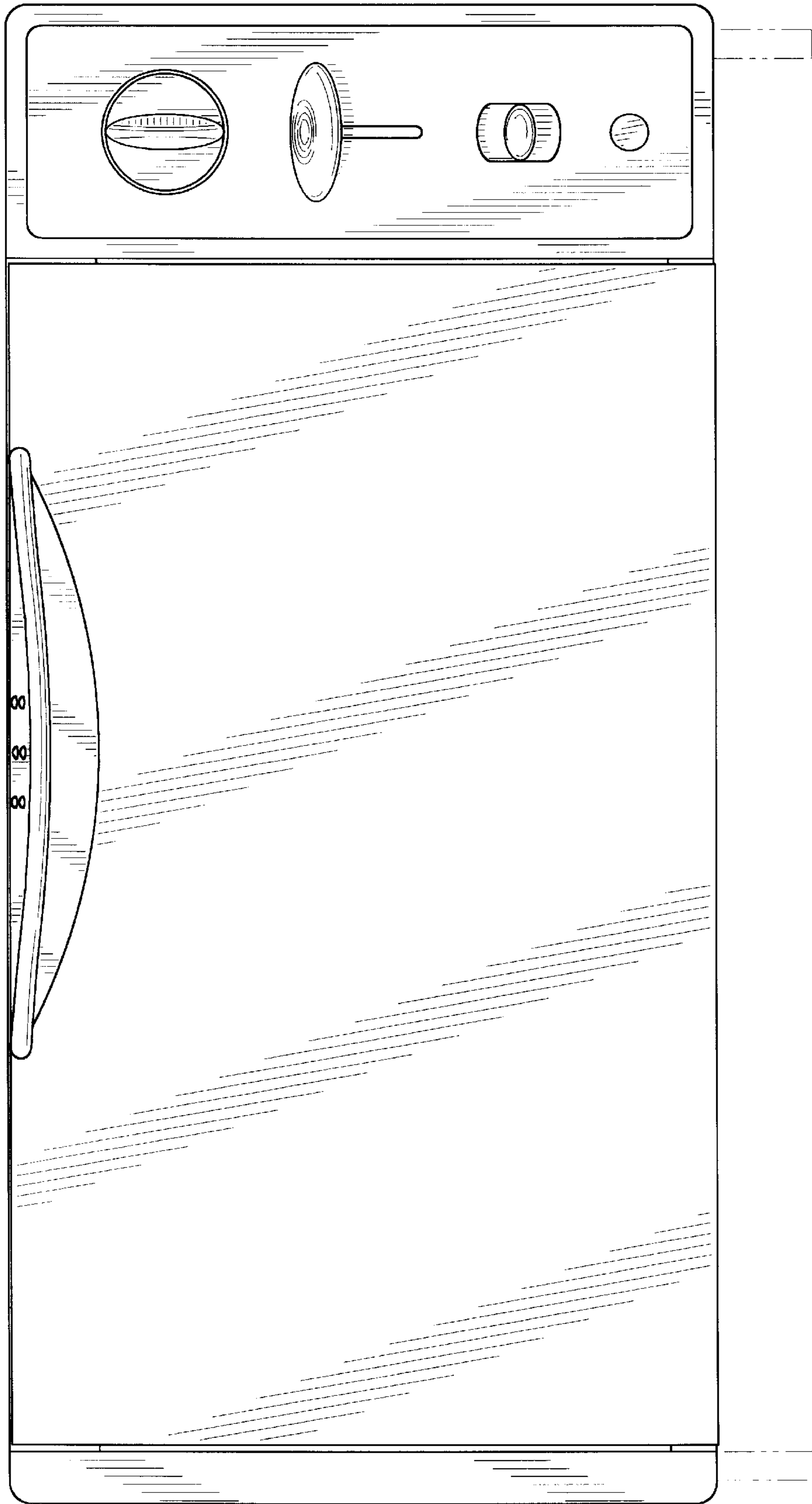


FIG. 2

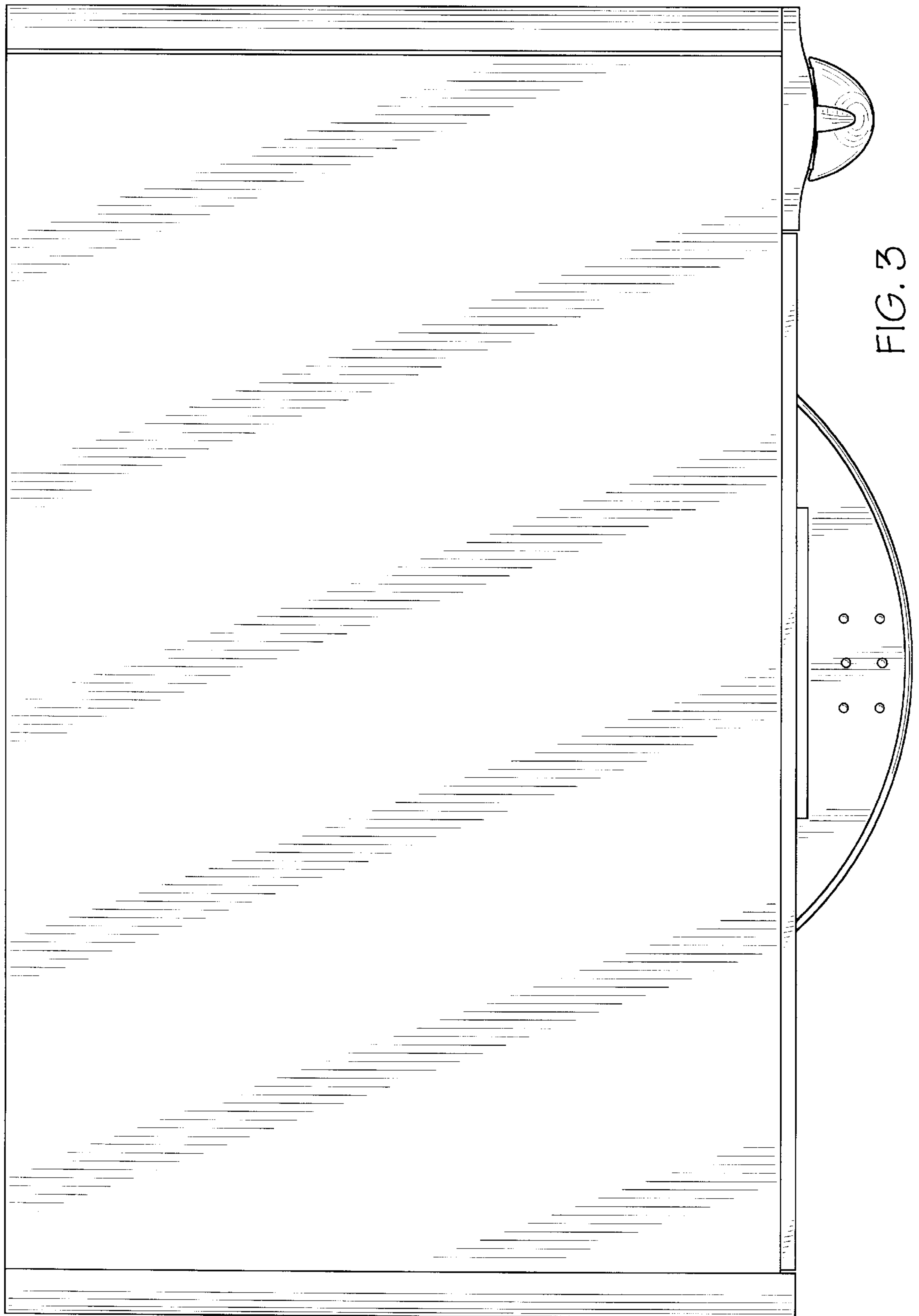


FIG. 3

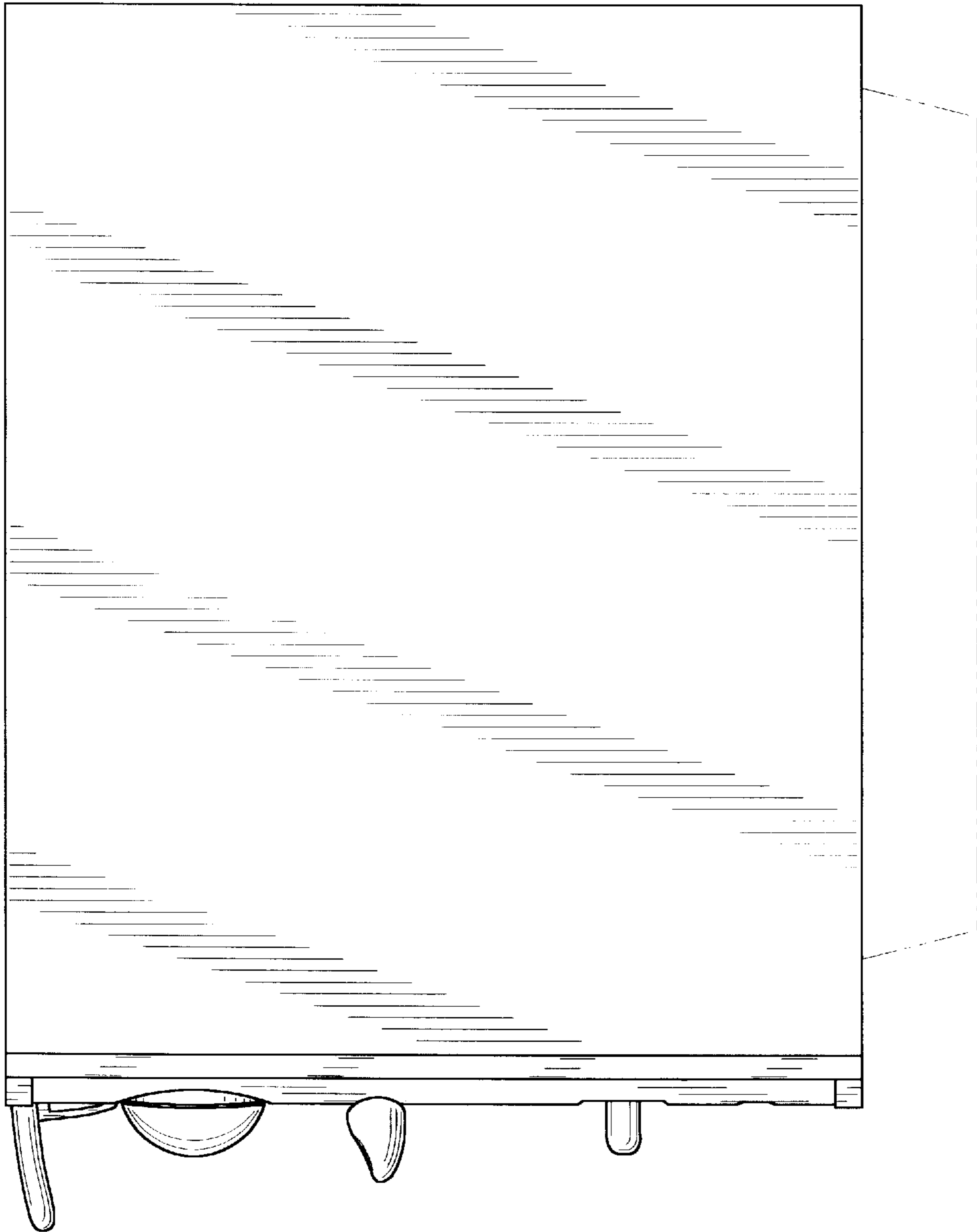


FIG. 4

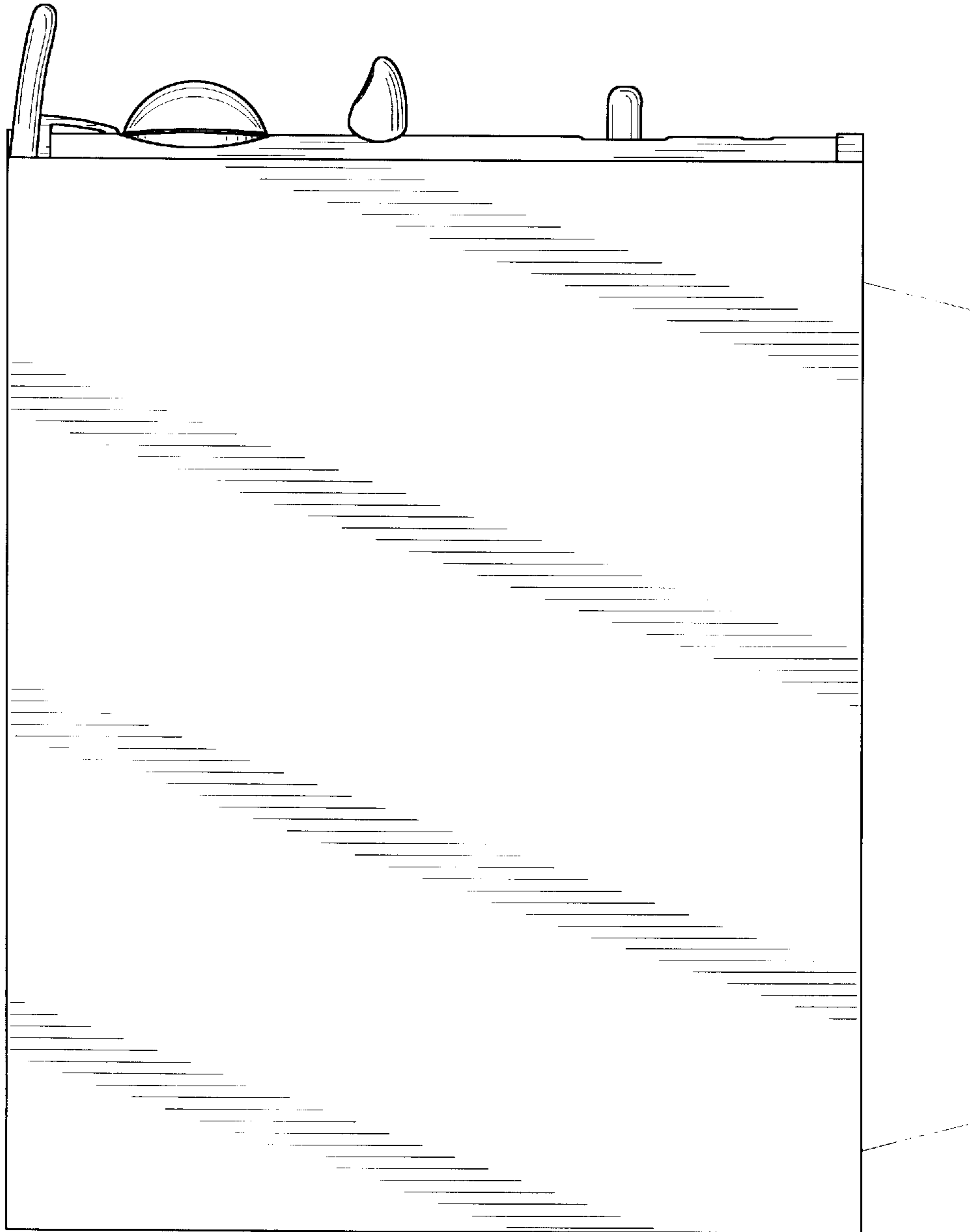


FIG. 5

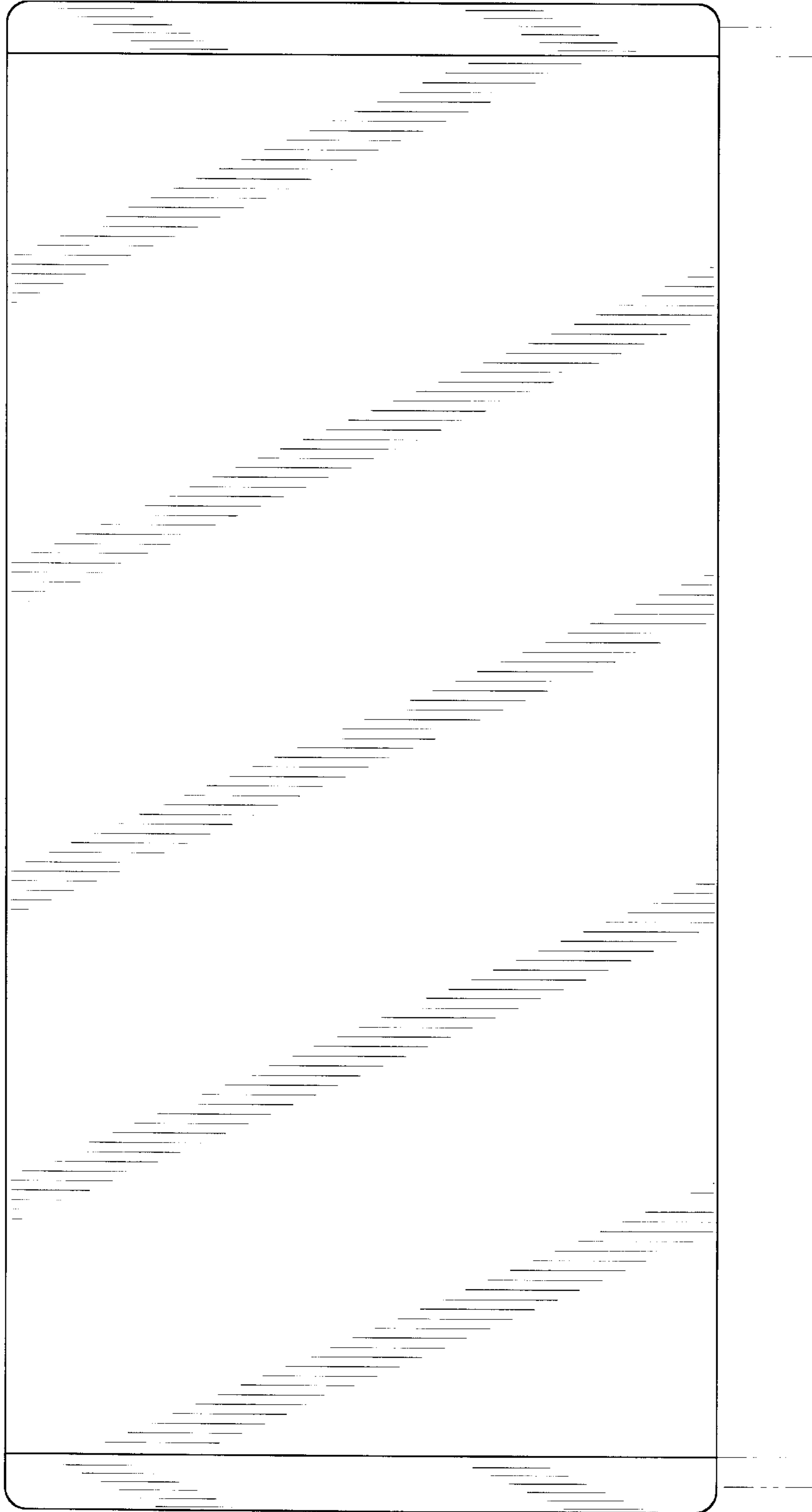


FIG. 6



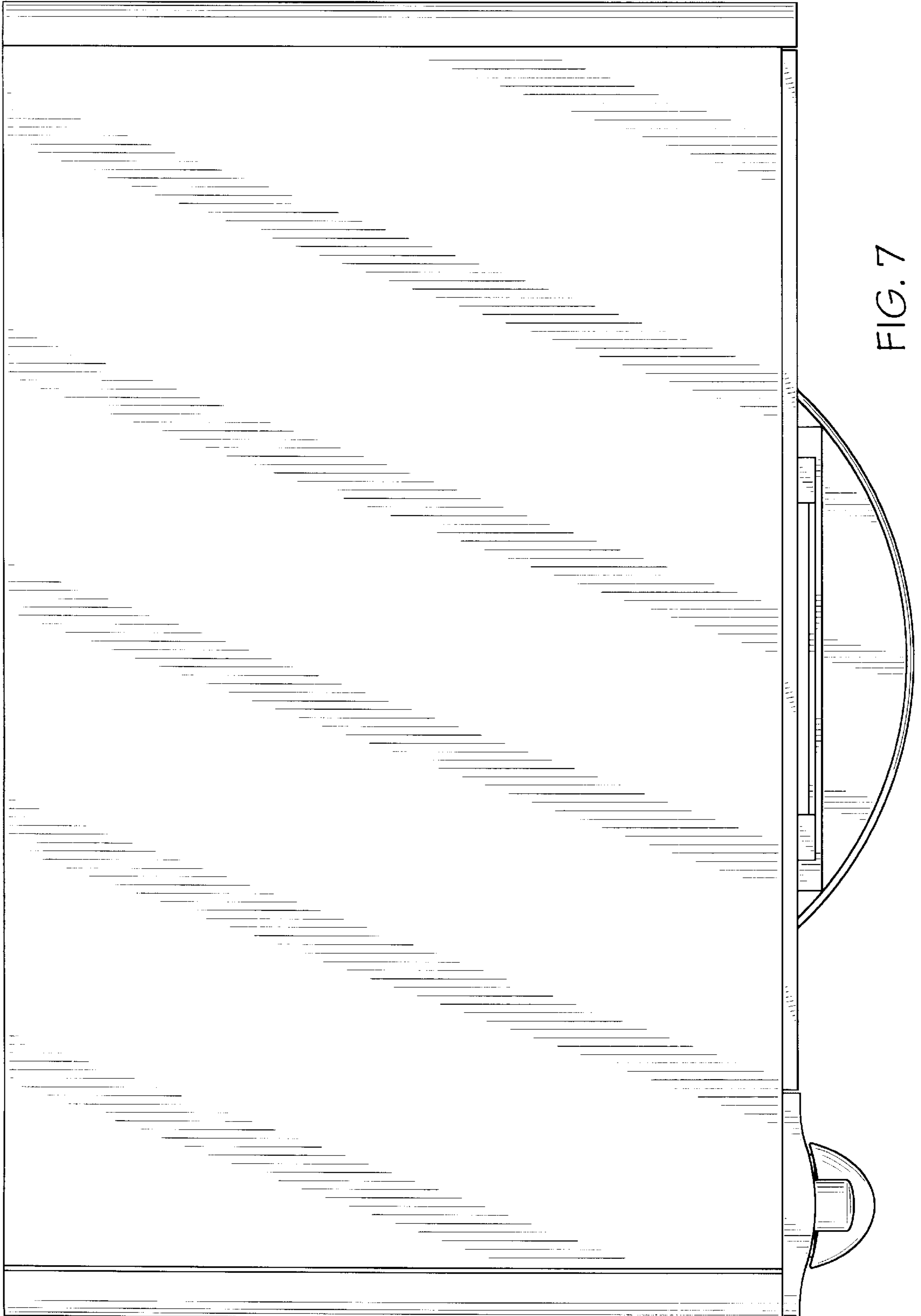


FIG. 7

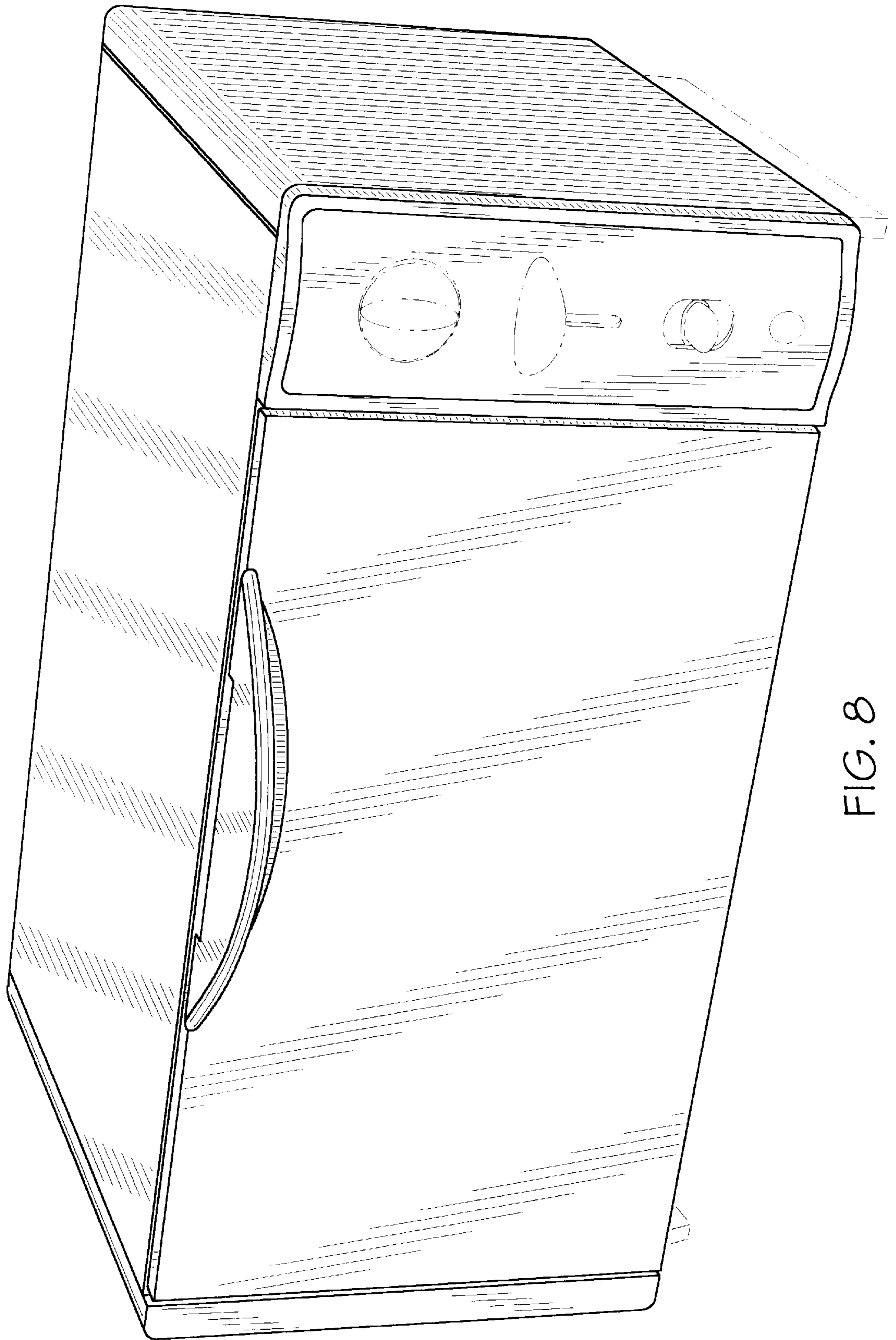


FIG. 8

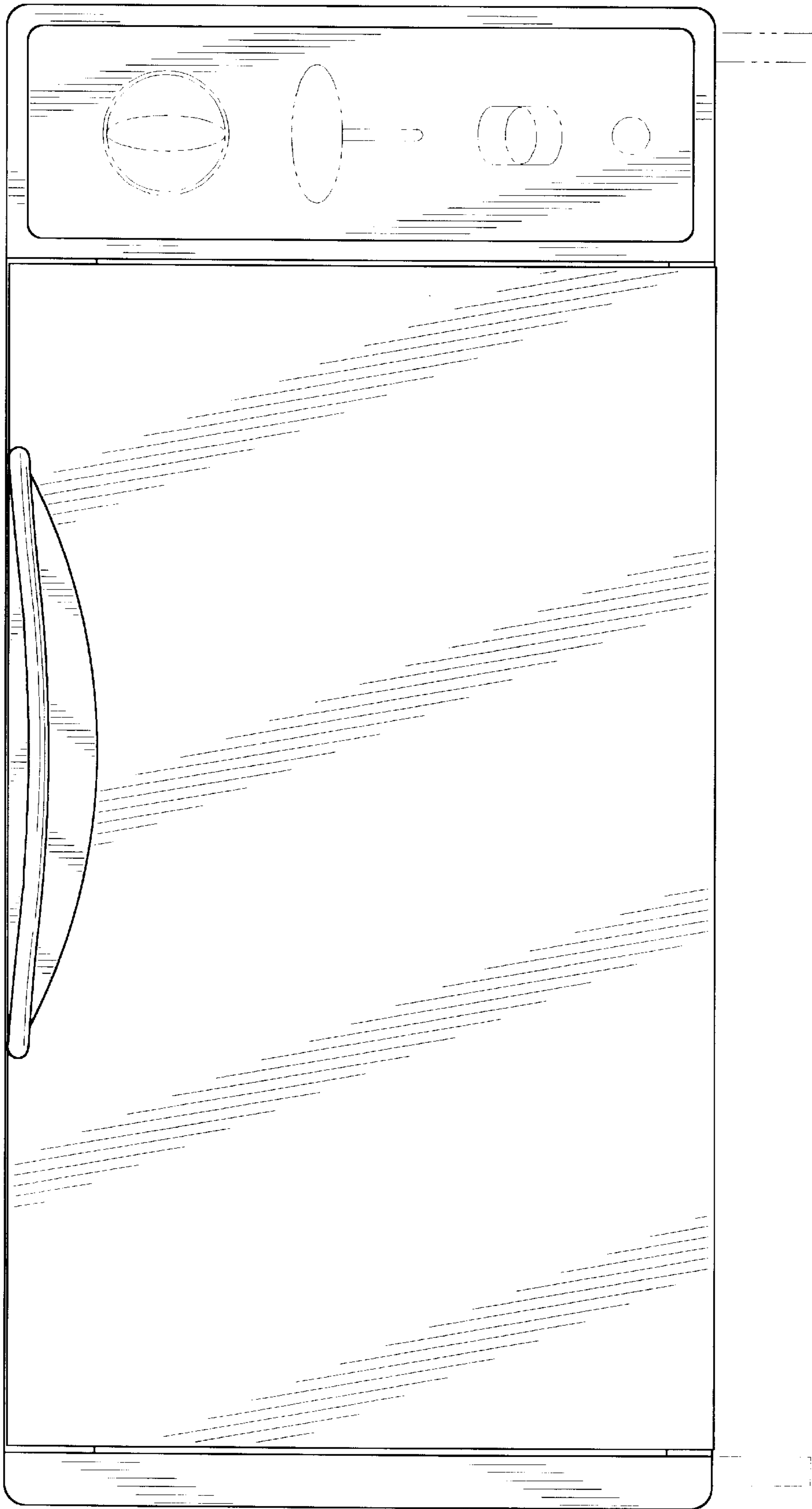


FIG. 9

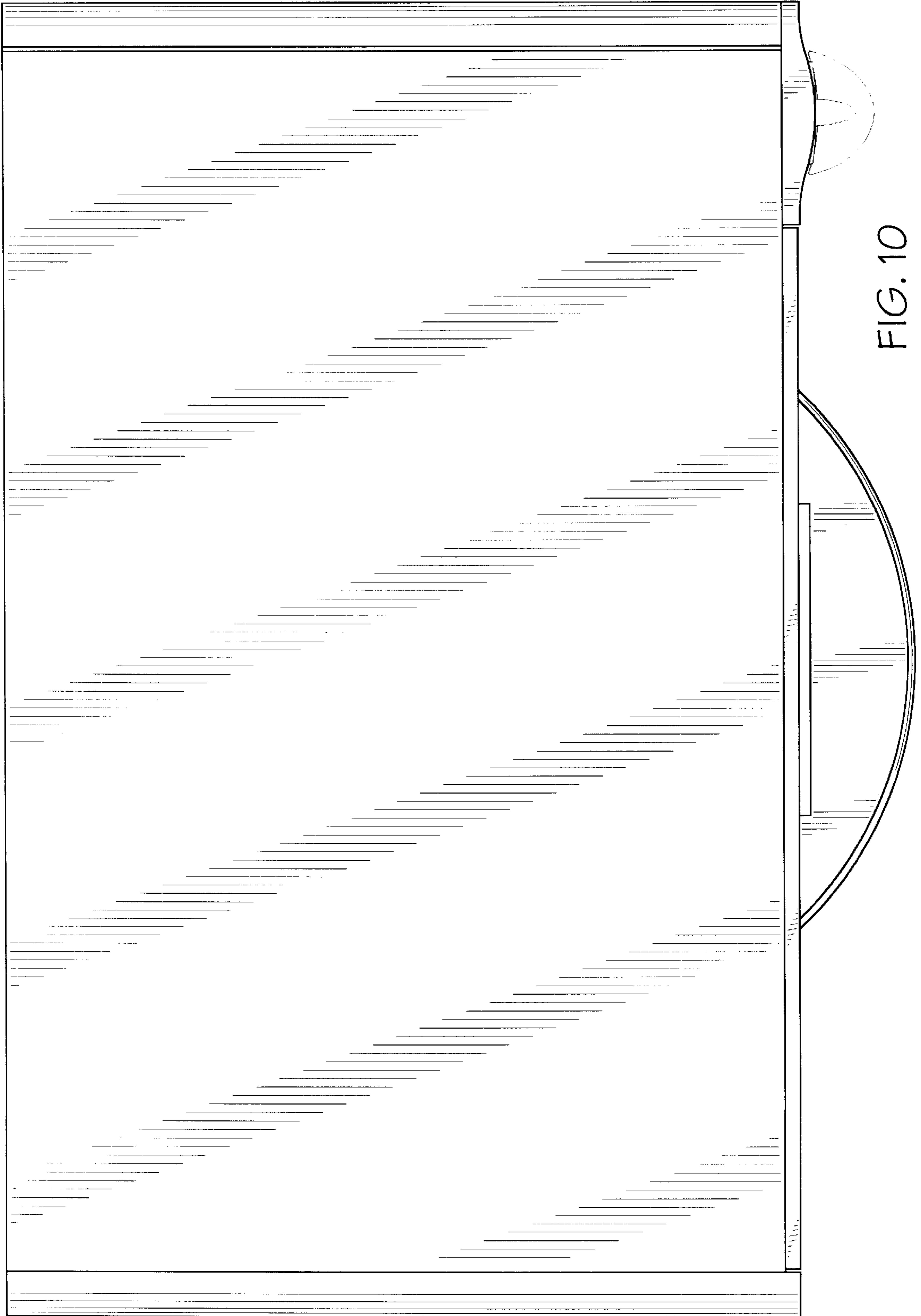


FIG. 10

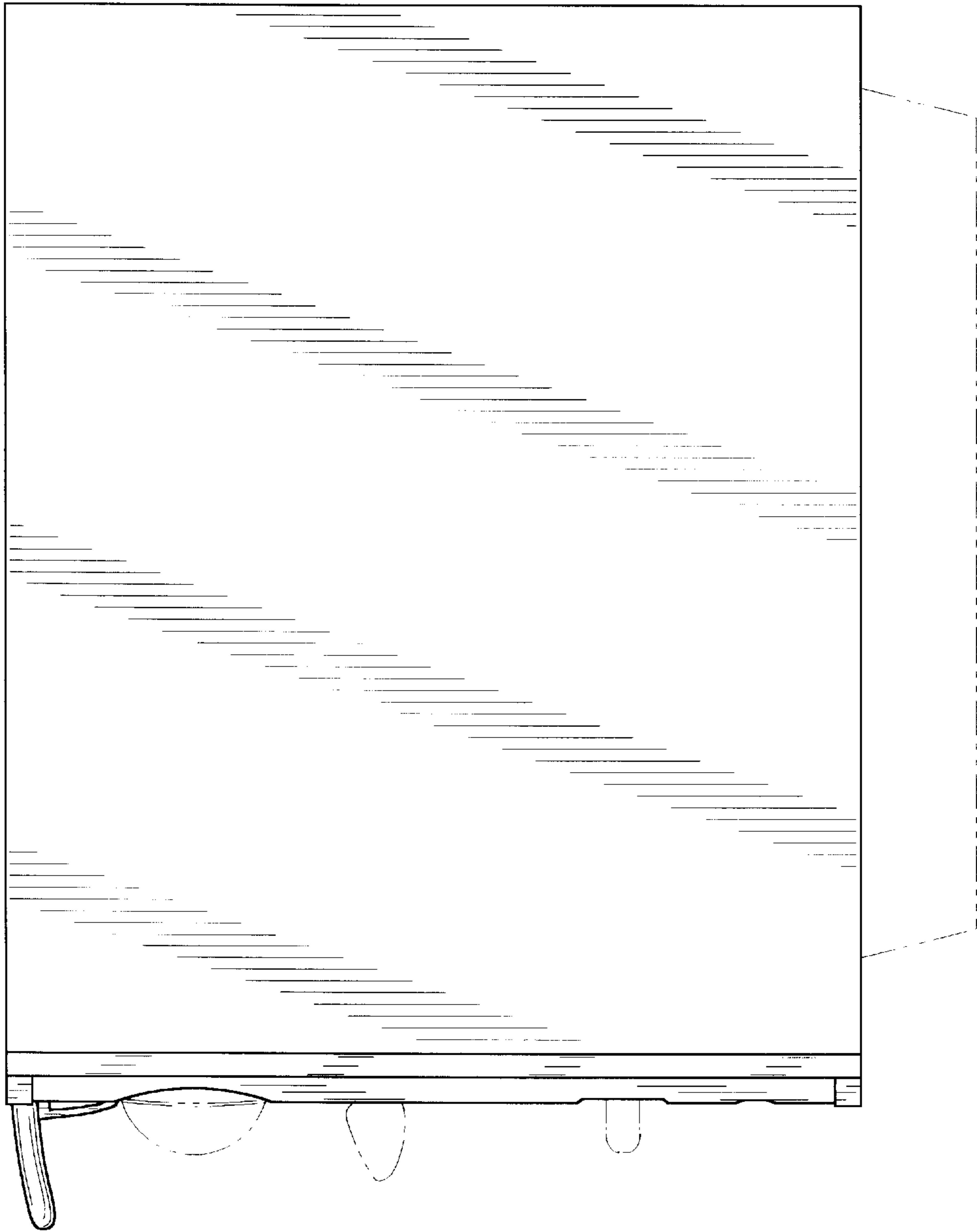


FIG. 11

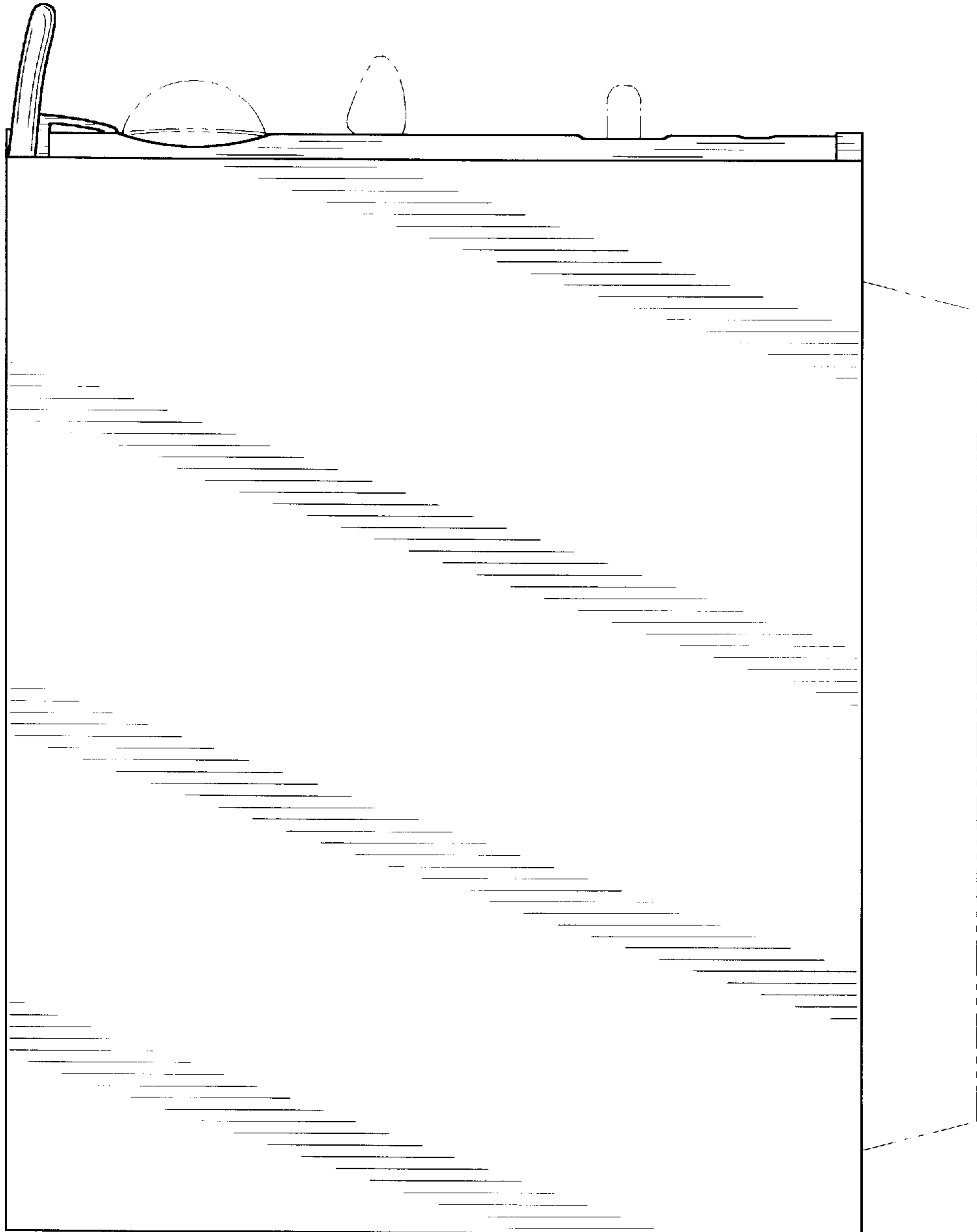


FIG. 12

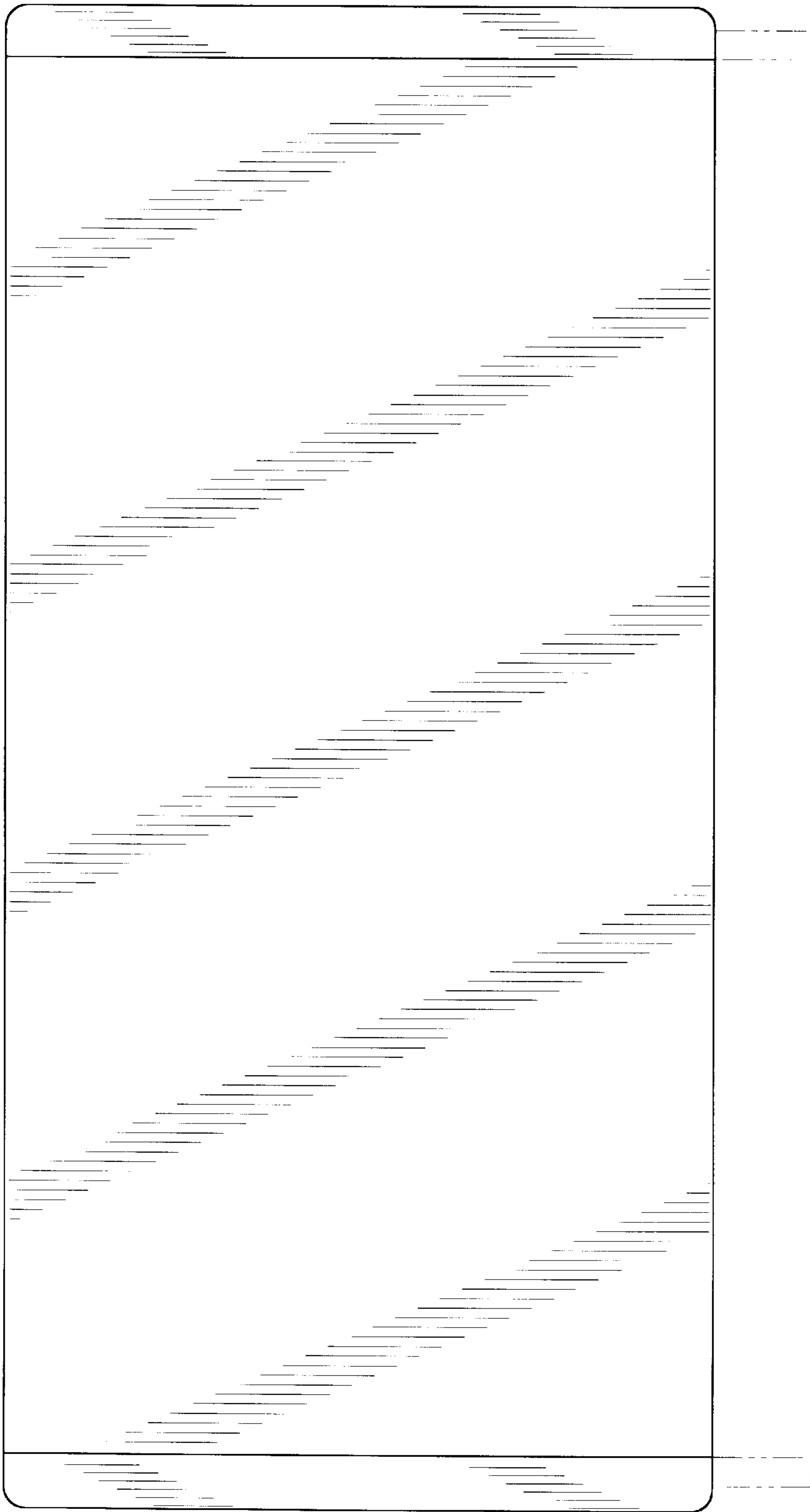


FIG. 13

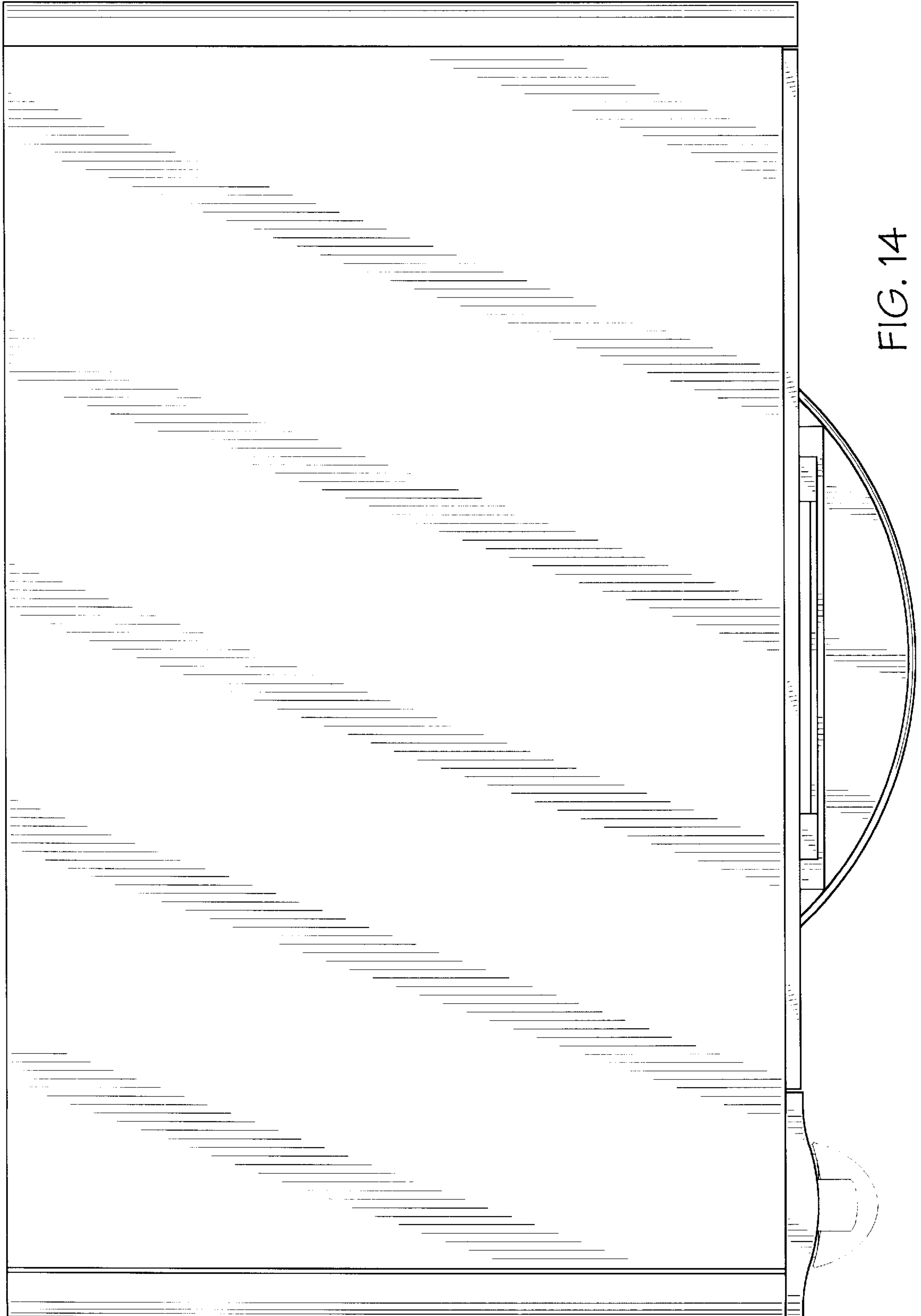


FIG. 14



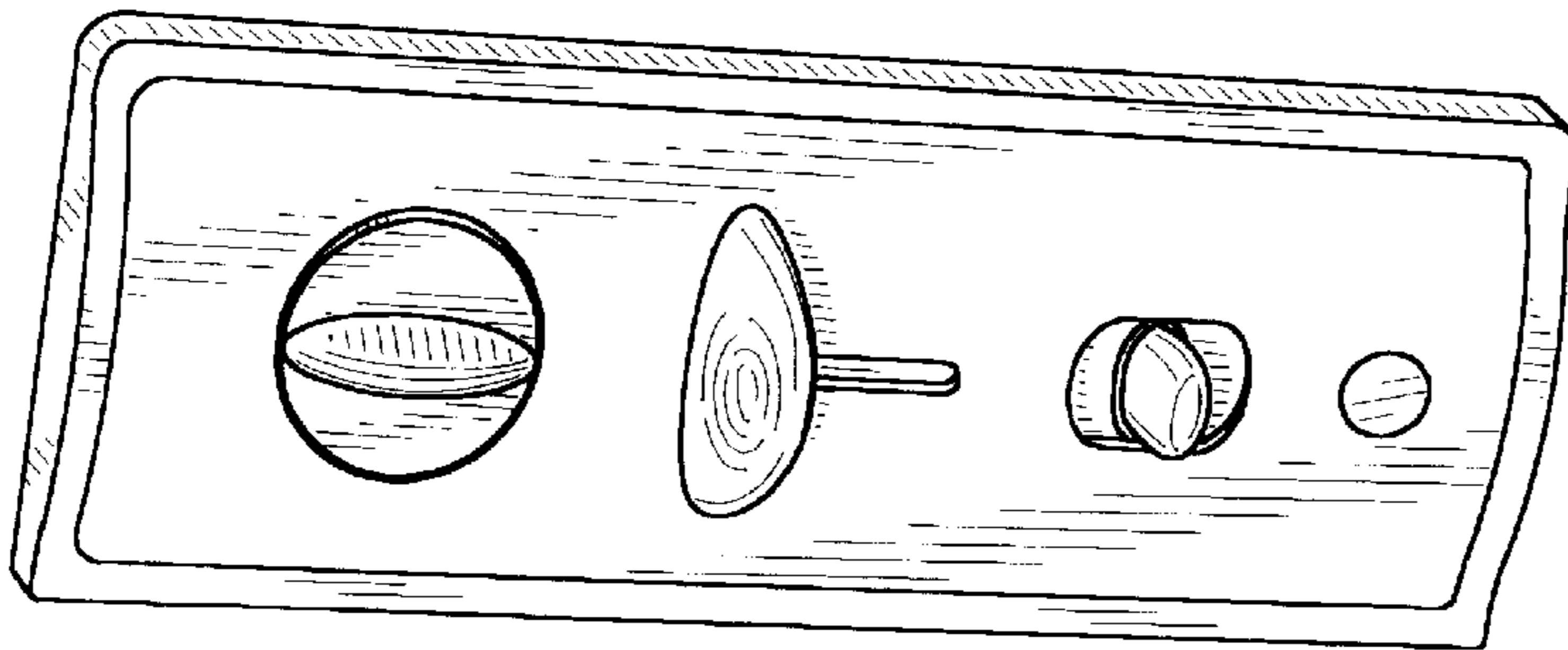


FIG. 15

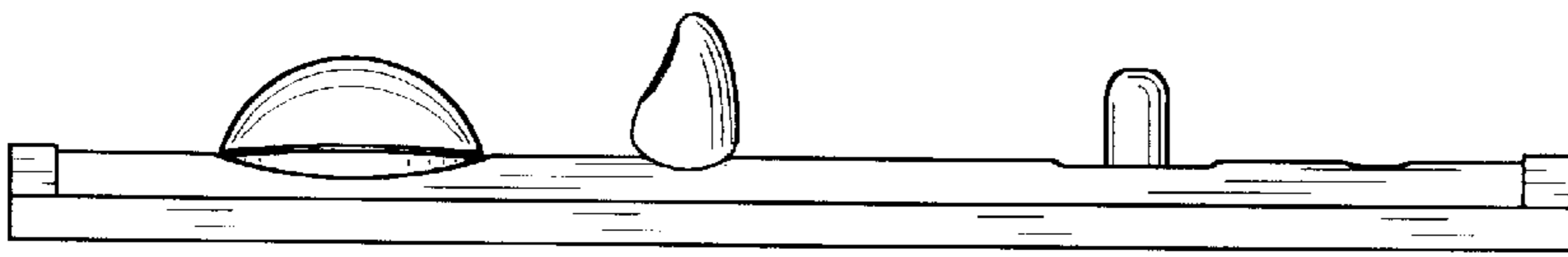


FIG. 18

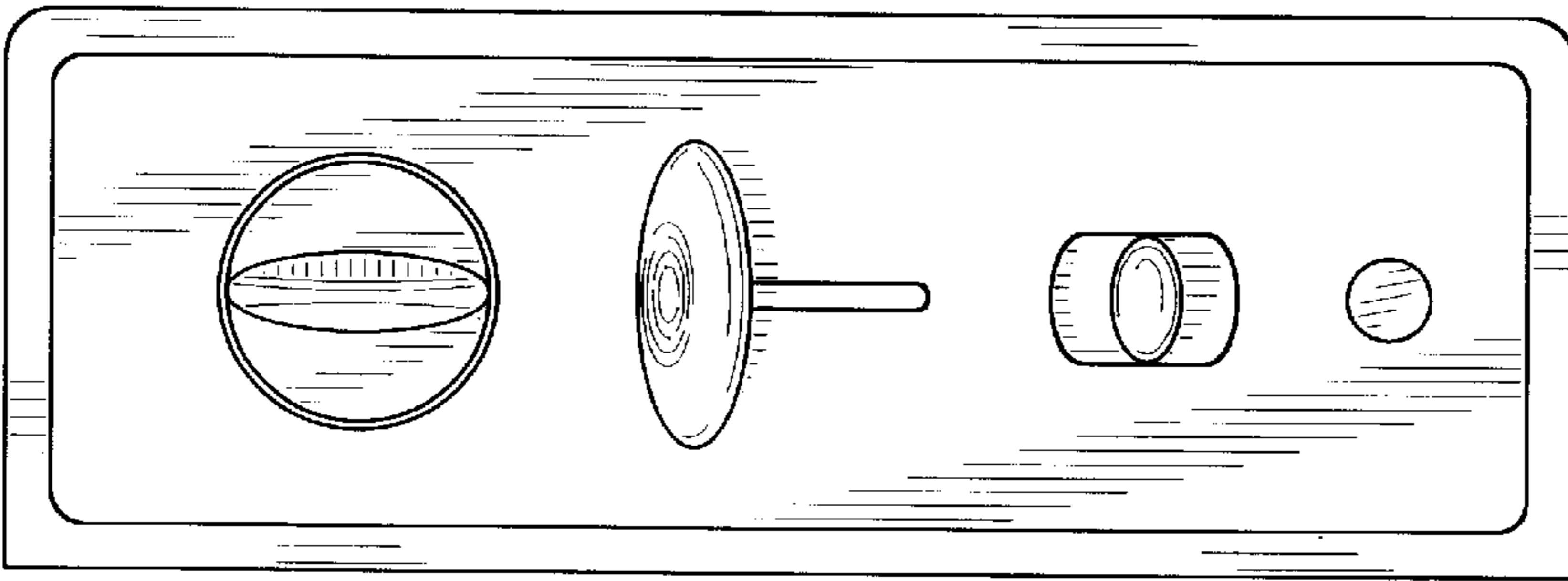


FIG. 16

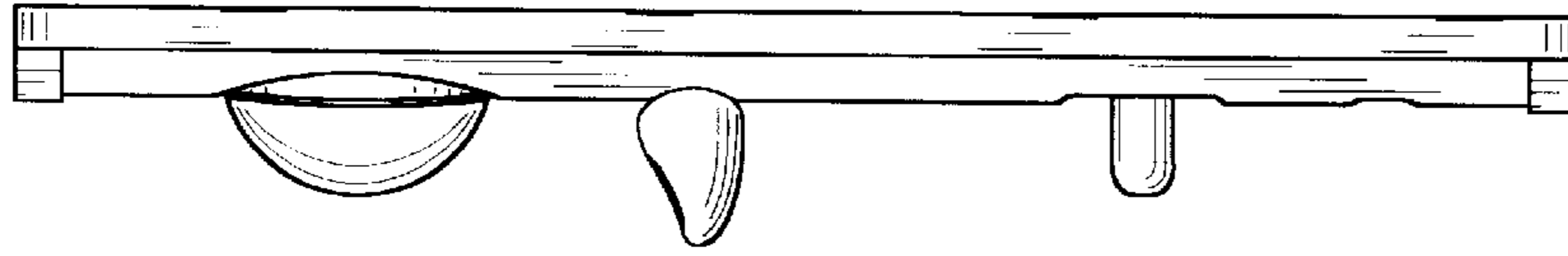


FIG. 17

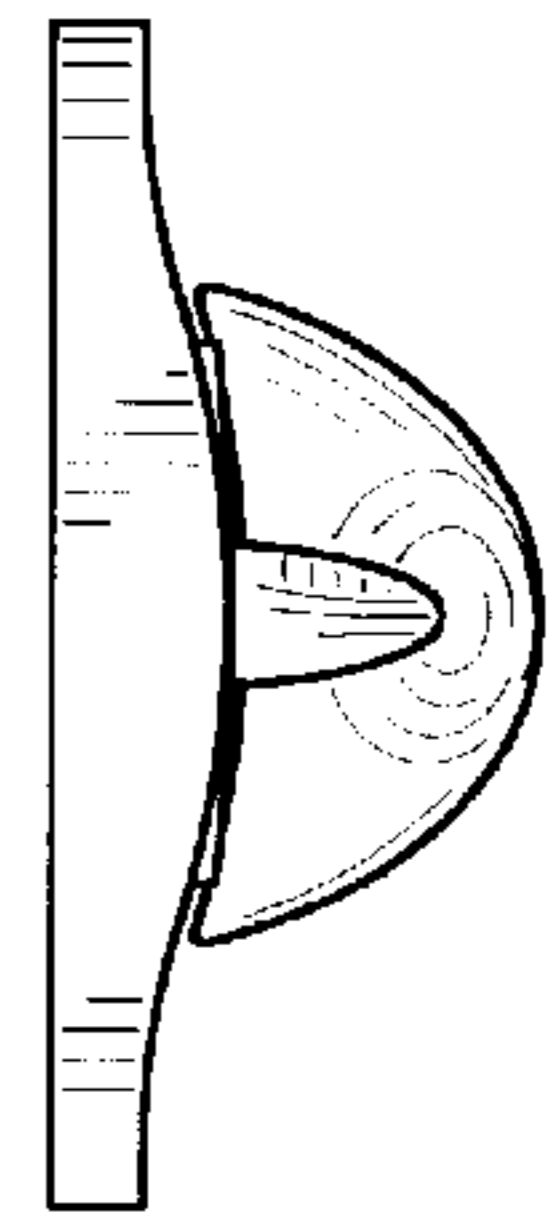


FIG. 19

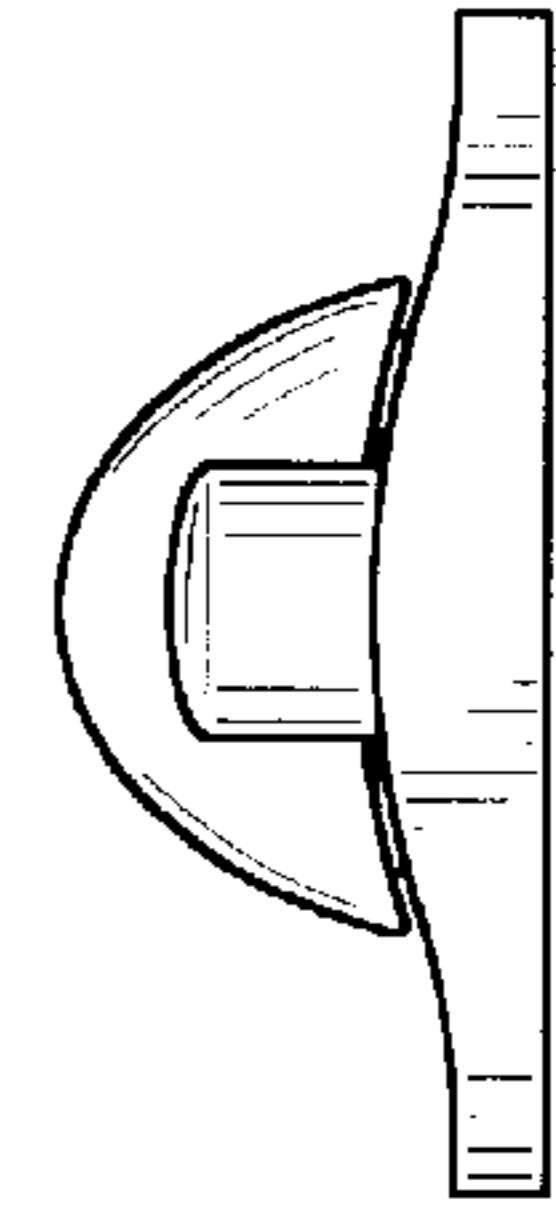


FIG. 20

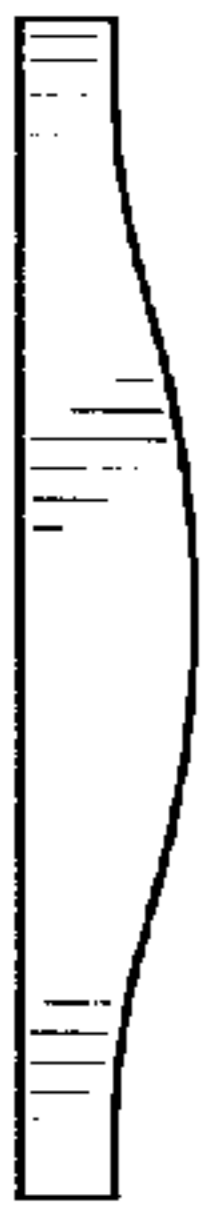


FIG. 25

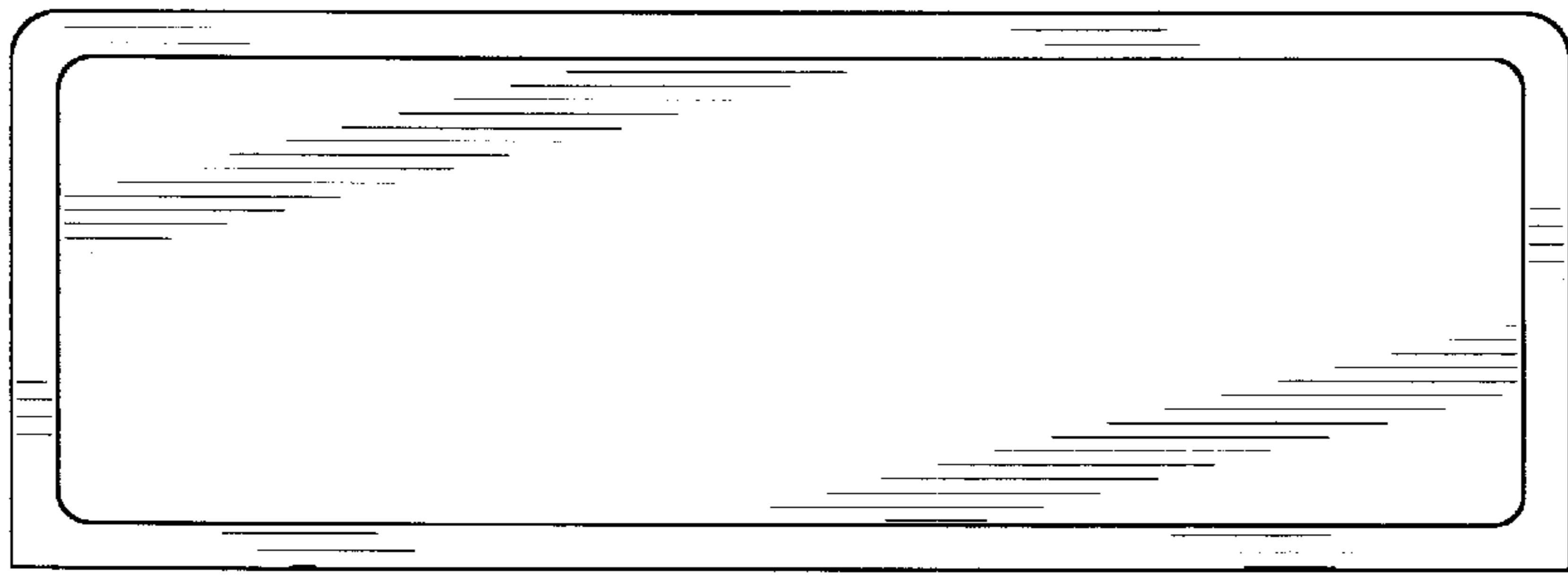


FIG. 22

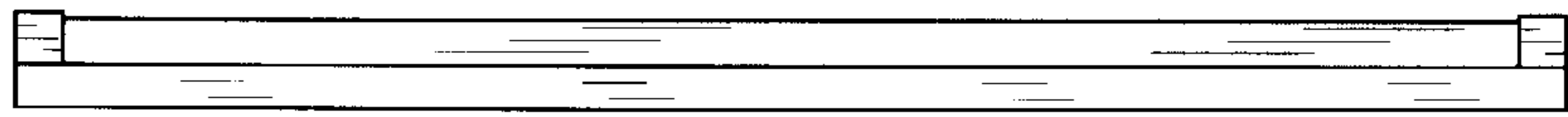


FIG. 24

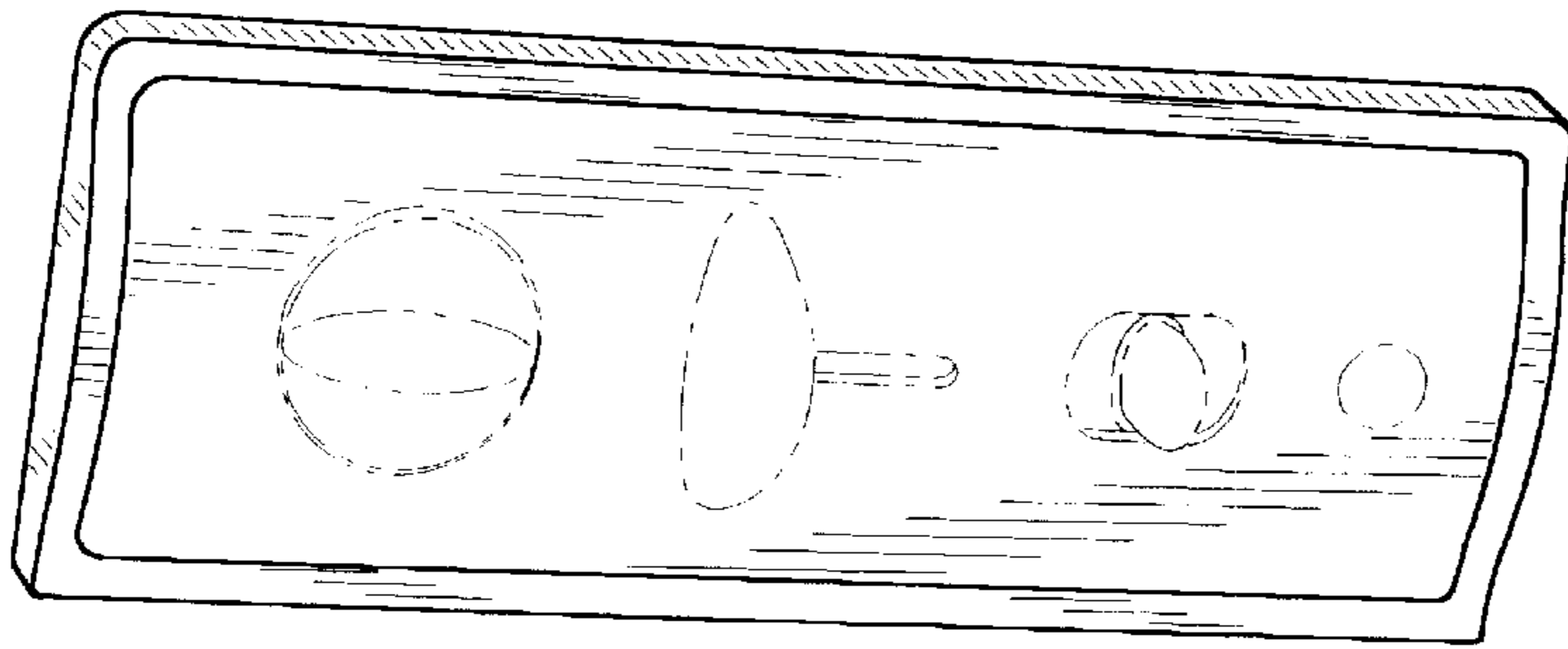


FIG. 21

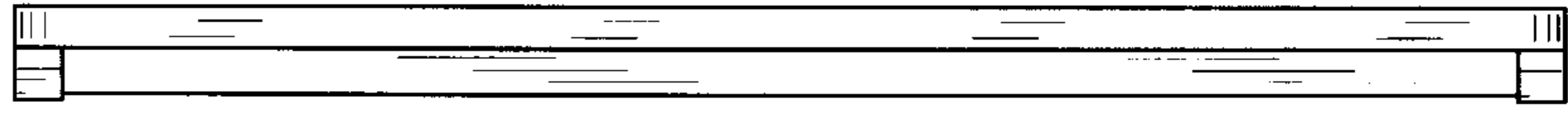


FIG. 23