



US00D403200S

United States Patent [19] Joergensen

[11] Patent Number: **Des. 403,200**

[45] Date of Patent: ****Dec. 29, 1998**

[54] **ESPRESSO COFFEE MAKER**

[75] Inventor: **Carsten Joergensen**, Kriens, Switzerland

[73] Assignee: **PI-Design AG**, Triengen, Switzerland

[**] Term: **14 Years**

[21] Appl. No.: **78,094**

[22] Filed: **Oct. 17, 1997**

[30] **Foreign Application Priority Data**

Apr. 21, 1997 [DK] Denmark MA 0420/97

[51] **LOC (6) Cl.** **07-01**

[52] **U.S. Cl.** **D7/317; D7/318; D7/322**

[58] **Field of Search** D7/300, 538, 543, D7/312, 315, 316, 317, 318, 319, 321, 601, 607, 590, 598, 322, 600, 320; 99/295; 222/143, 475, 475.1

[56] **References Cited**

U.S. PATENT DOCUMENTS

- D. 194,697 2/1963 Douglas D7/318
- D. 224,752 9/1972 Bonzer D7/318
- D. 258,712 3/1981 Jacobson D7/317
- D. 263,105 2/1982 Okazaki D7/318

- D. 268,726 4/1983 Trombly D7/317
- D. 293,871 1/1988 Turner et al. D7/318
- D. 306,547 3/1990 Wolfenden D7/317
- D. 308,459 6/1990 Balzano D7/317
- D. 316,206 4/1991 Daenen et al. D7/317
- D. 350,454 9/1994 Wong D7/310
- D. 388,367 8/1993 Fonville D7/317
- 3,120,912 2/1964 Mount et al. D7/318 X

Primary Examiner—M. N. Pandozzi
Attorney, Agent, or Firm—Gary M. Nath; Nath & Associates

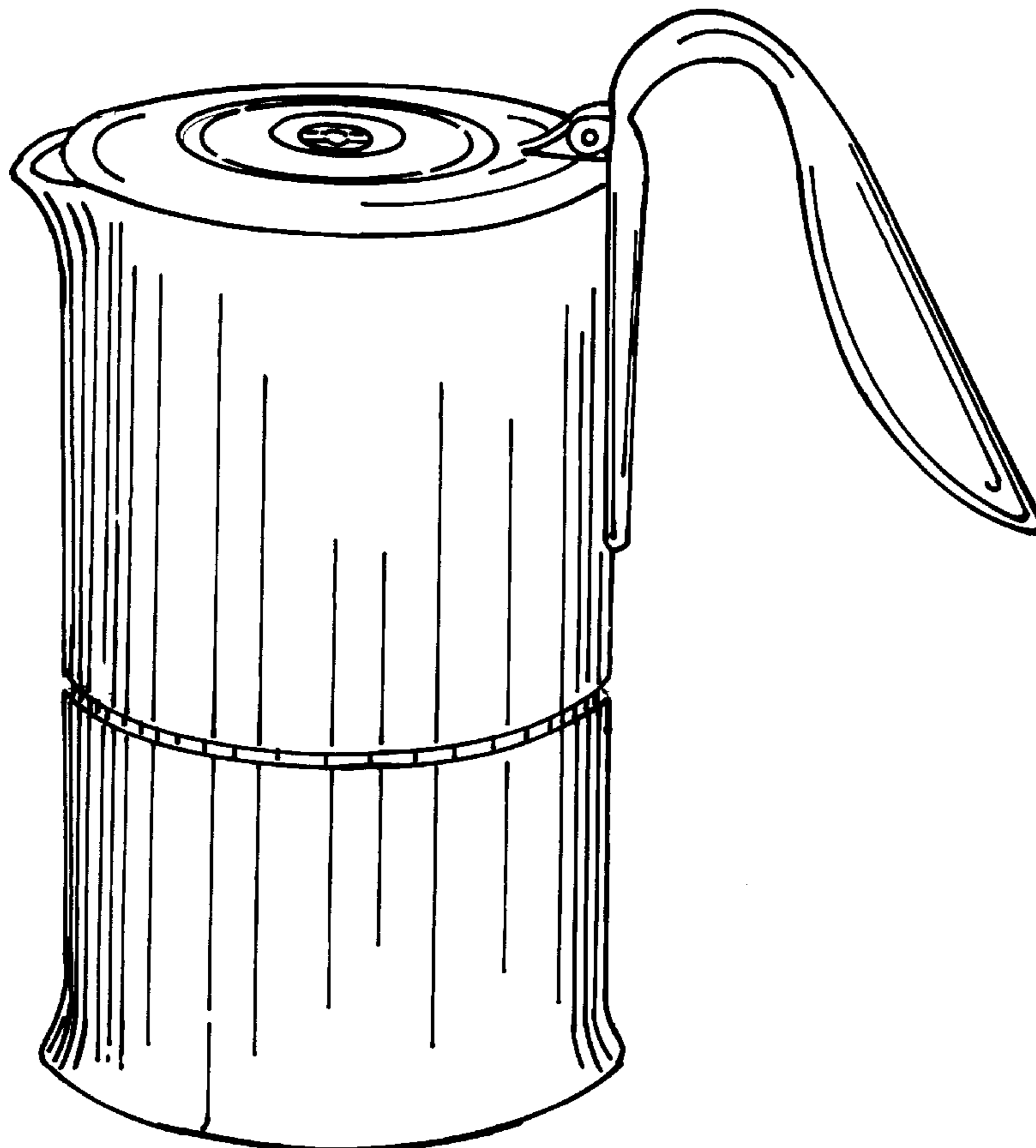
[57] **CLAIM**

The ornamental design for an espresso coffee maker, as shown and described.

DESCRIPTION

FIG. 1 is an oblique perspective view of the espresso coffee maker;
FIG. 2 is a right side view of the espresso coffee maker, as shown in FIG. 1;
FIG. 3 is a left side view of the espresso coffee maker;
FIG. 4 is a front side view of the espresso coffee maker;
FIG. 5 is a back side view of the espresso coffee maker;
FIG. 6 is a top view of the espresso coffee maker; and,
FIG. 7 is a bottom view of the espresso coffee maker.

1 Claim, 7 Drawing Sheets



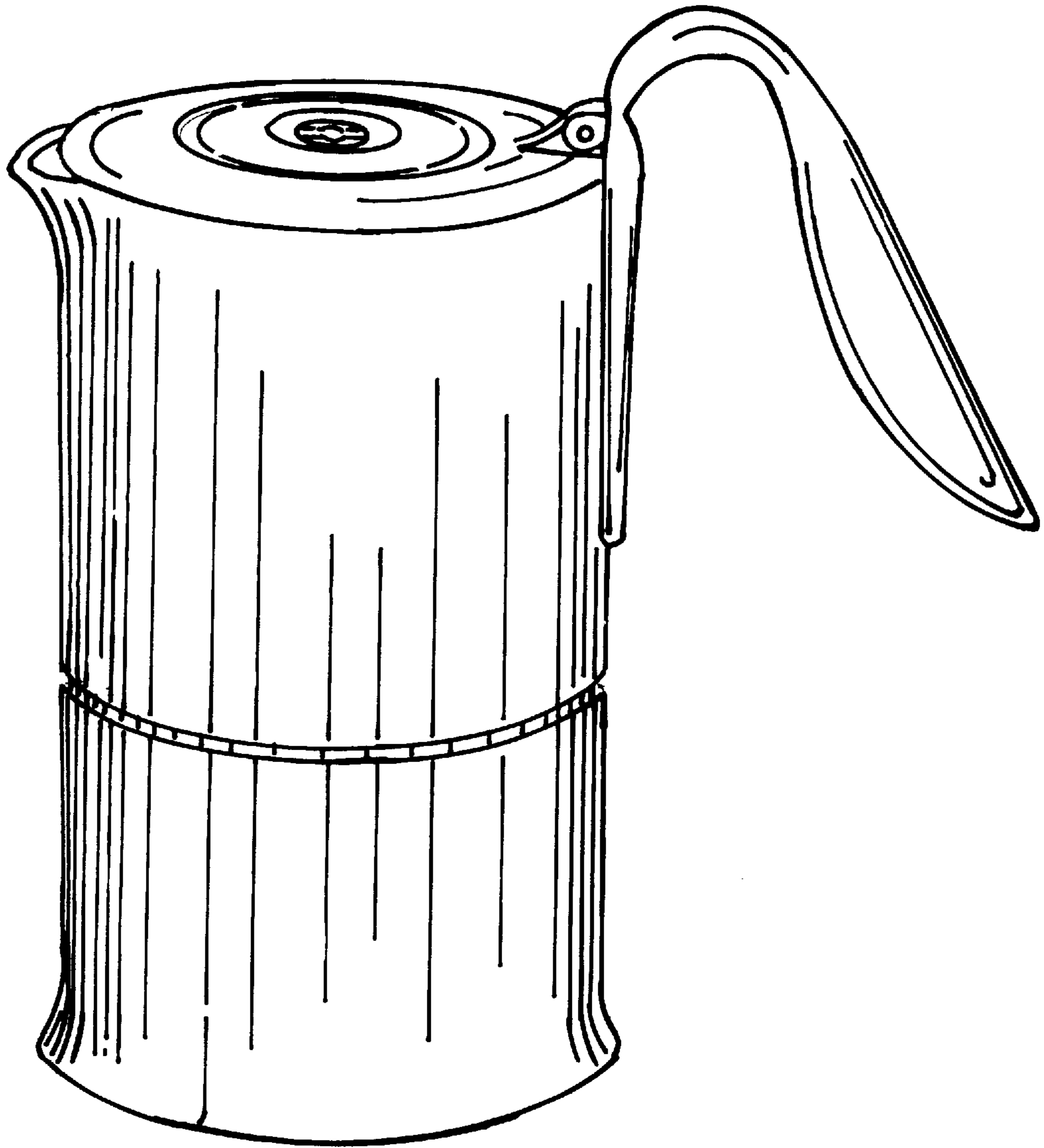


FIG. 1

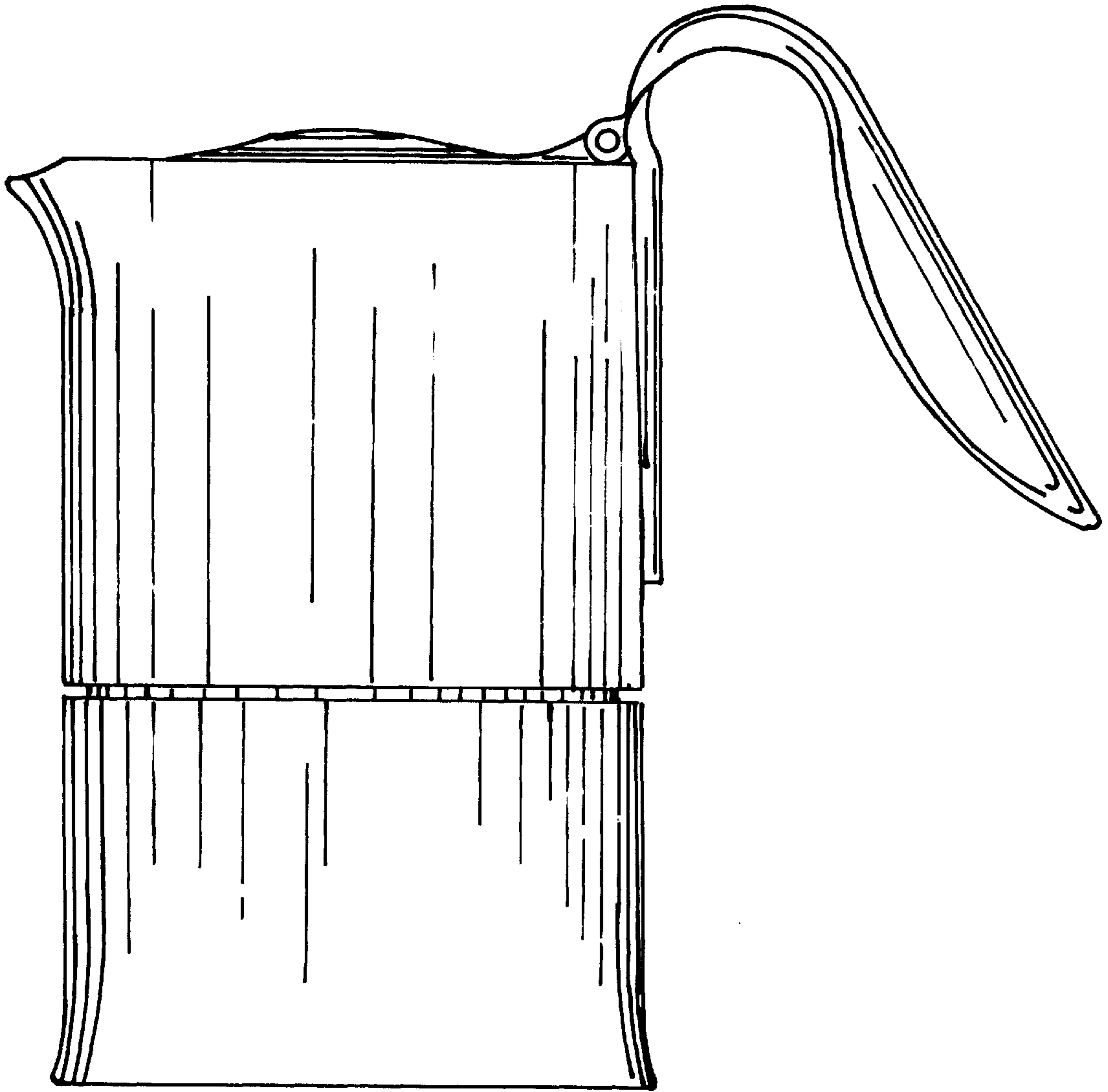


FIG. 2

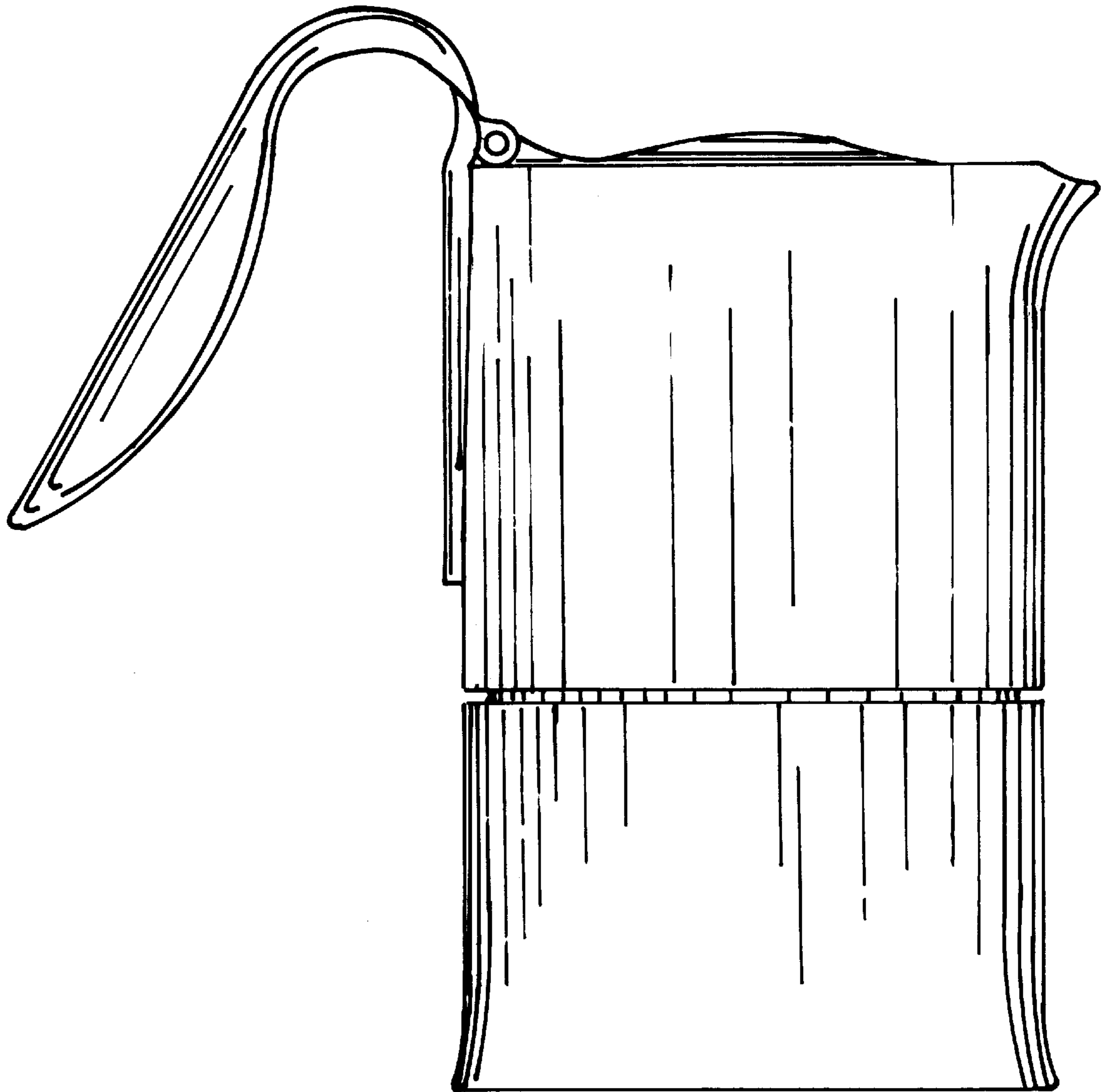


FIG. 3

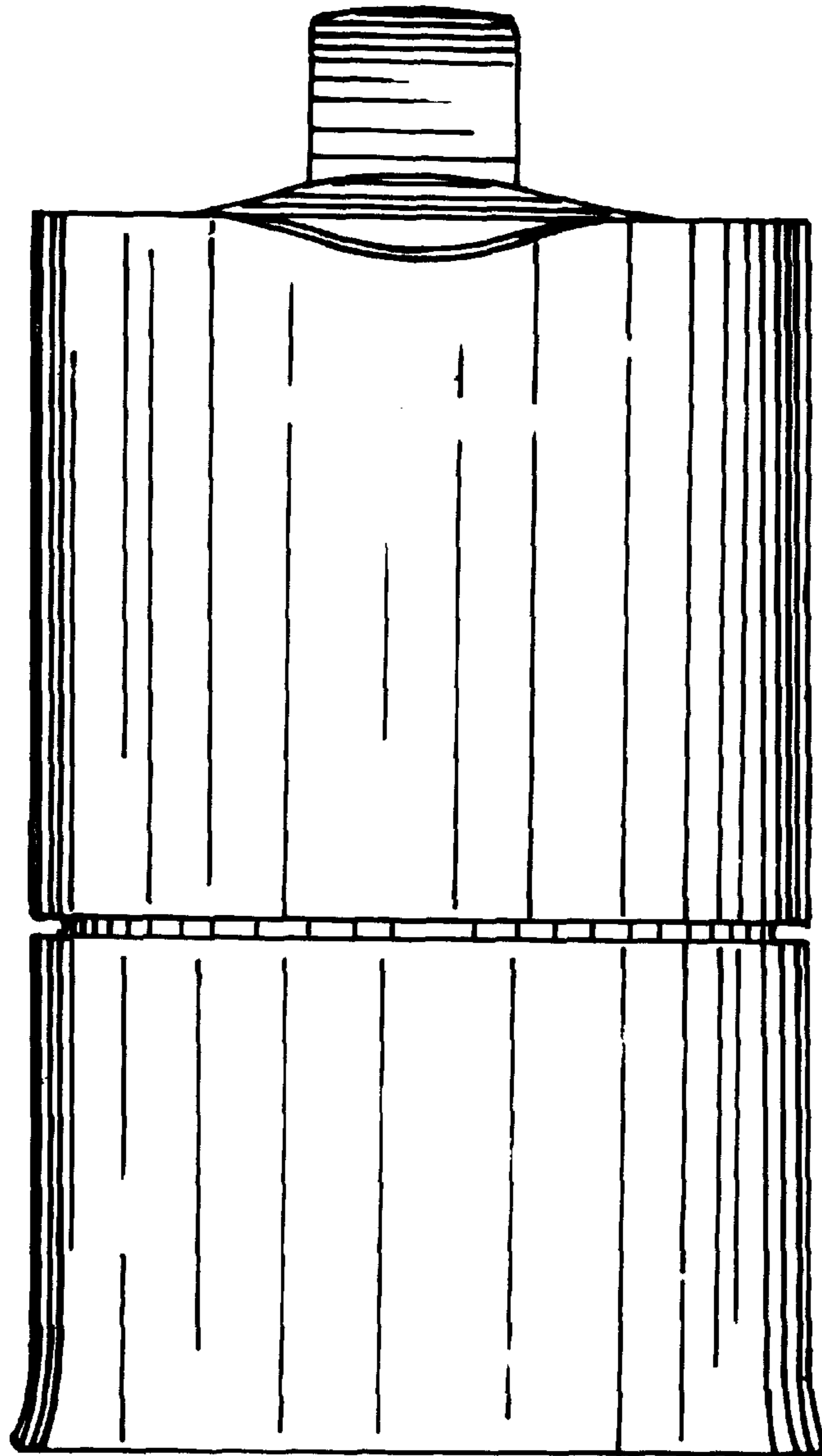


FIG. 4

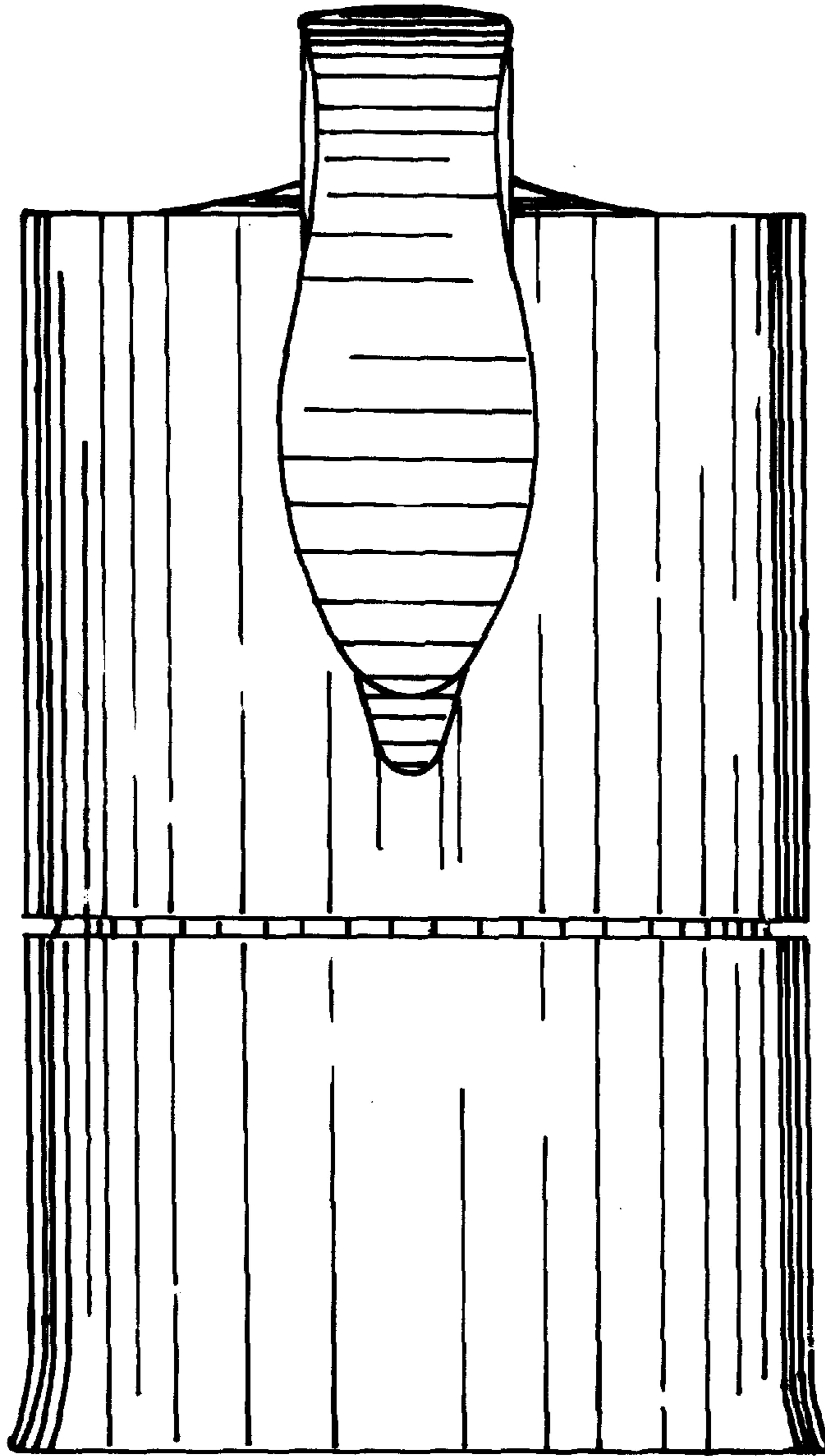


FIG. 5

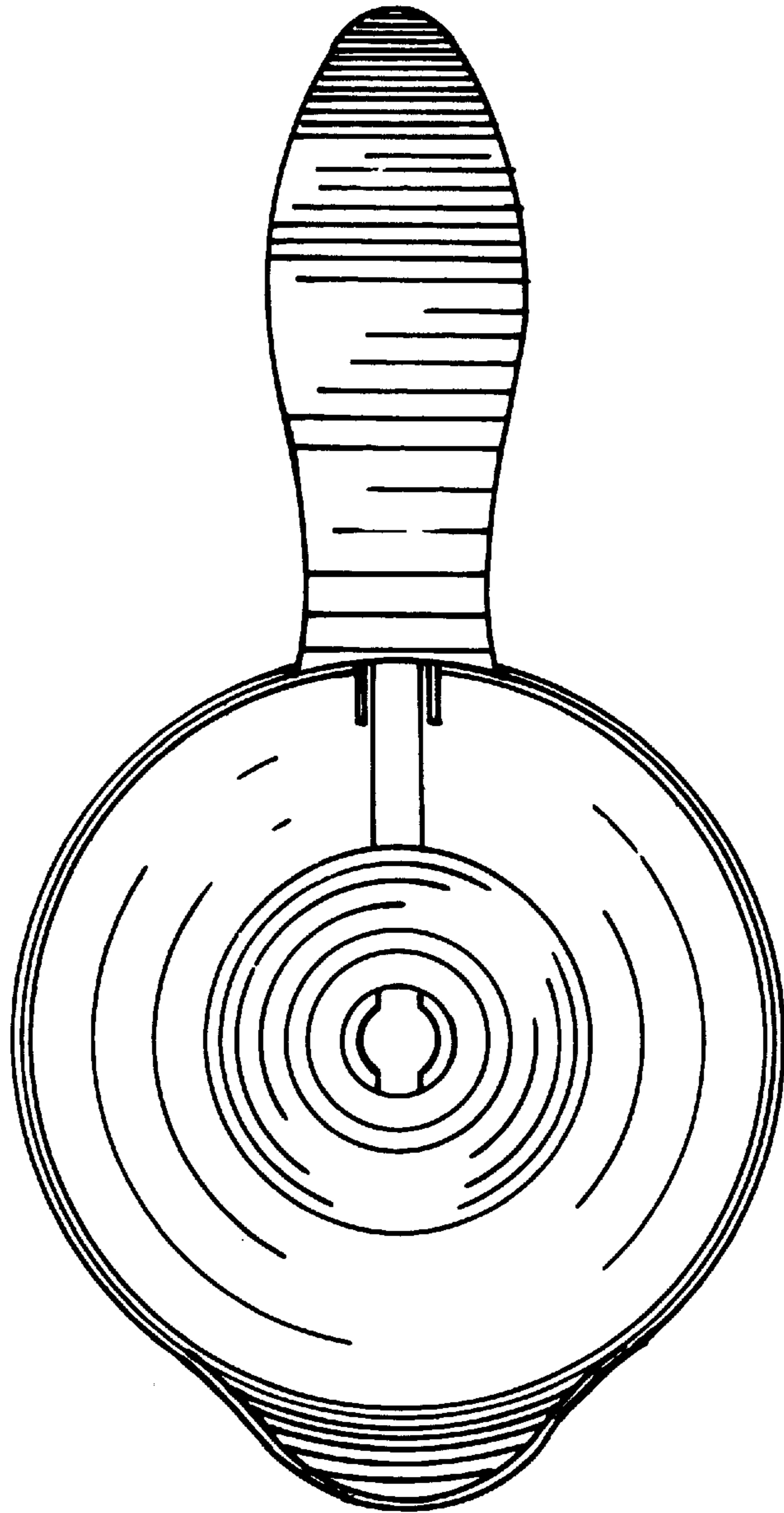


FIG. 6

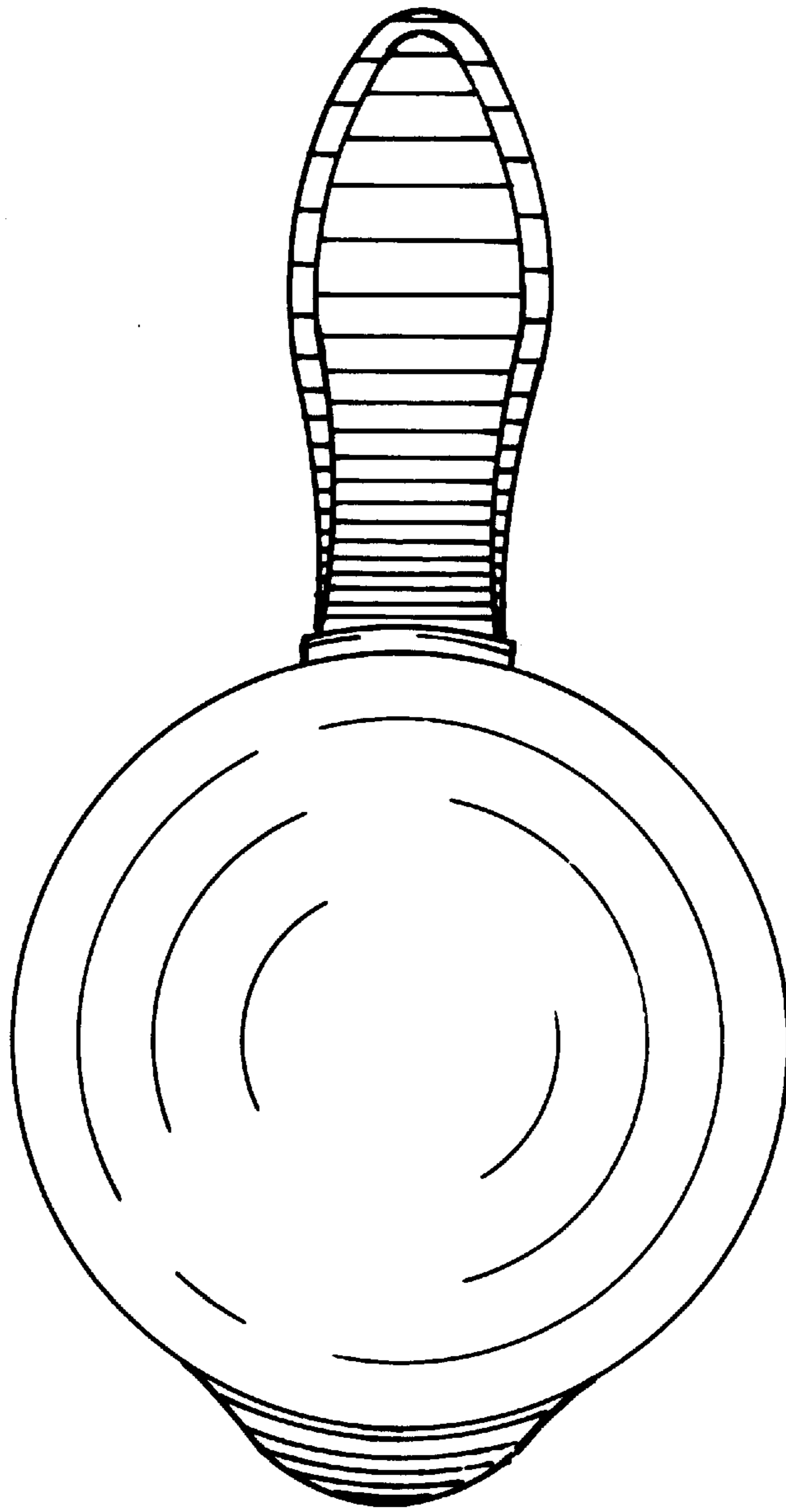


FIG. 7