



US00D403199S

United States Patent [19]
Micoley

[11] **Patent Number: Des. 403,199**

[45] **Date of Patent: **Dec. 29, 1998**

[54] **COFFEEMAKER**

[75] Inventor: **Scott H. Micoley**, Cedarburg, Wis.

[73] Assignee: **The West Bend Company**, West Bend, Wis.

[**] Term: **14 Years**

[21] Appl. No.: **73,044**

[22] Filed: **Jun. 27, 1997**

[51] **LOC (6) Cl.** **07-01**

[52] **U.S. Cl.** **D7/309; D7/310; D7/311**

[58] **Field of Search** **D7/300, 305, 309, D7/310, 311; 99/293, 295**

[56] **References Cited**

U.S. PATENT DOCUMENTS

D. 228,053	8/1973	Knox	D7/309
D. 356,712	3/1995	Brady	D7/309
D. 360,333	7/1995	Wai	D7/309
D. 377,290	1/1997	Saltet	D7/309
D. 378,970	4/1997	Brady et al.	D7/309

D. 381,550	7/1997	Lin	D7/309
D. 387,946	12/1997	Hippen	D7/309
D. 390,409	2/1998	Littmann	D7/309
D. 391,439	3/1998	Mork et al.	D7/309
4,759,274	7/1988	Schmidt	99/295

Primary Examiner—M. N. Pandozzi
Attorney, Agent, or Firm—Reinhart, Boerner, Van Deuren, Norris & Rieselbach, s.c.

[57] **CLAIM**

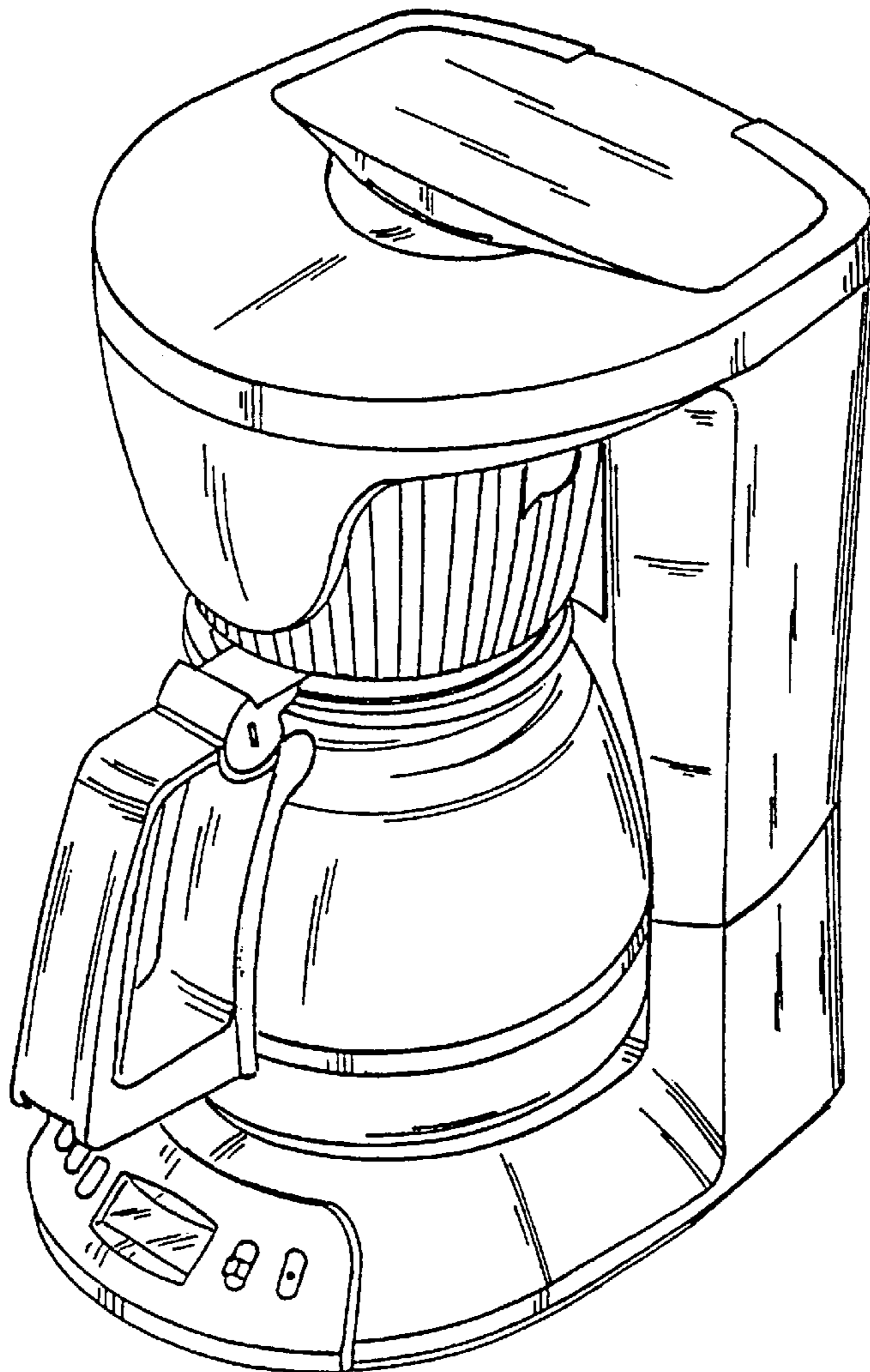
The ornamental design for a coffeemaker, as shown and described.

DESCRIPTION

FIG. 1 is a front view of the coffeemaker;
FIG. 2 is a perspective view of the coffeemaker;
FIG. 3 is a right side view of the coffeemaker;
FIG. 4 is a left side view of the coffeemaker;
FIG. 5 is a top view of the coffeemaker; and,
FIG. 6 is a rear view of the coffeemaker.

The bottom plan view is not part of the claimed design.

1 Claim, 3 Drawing Sheets



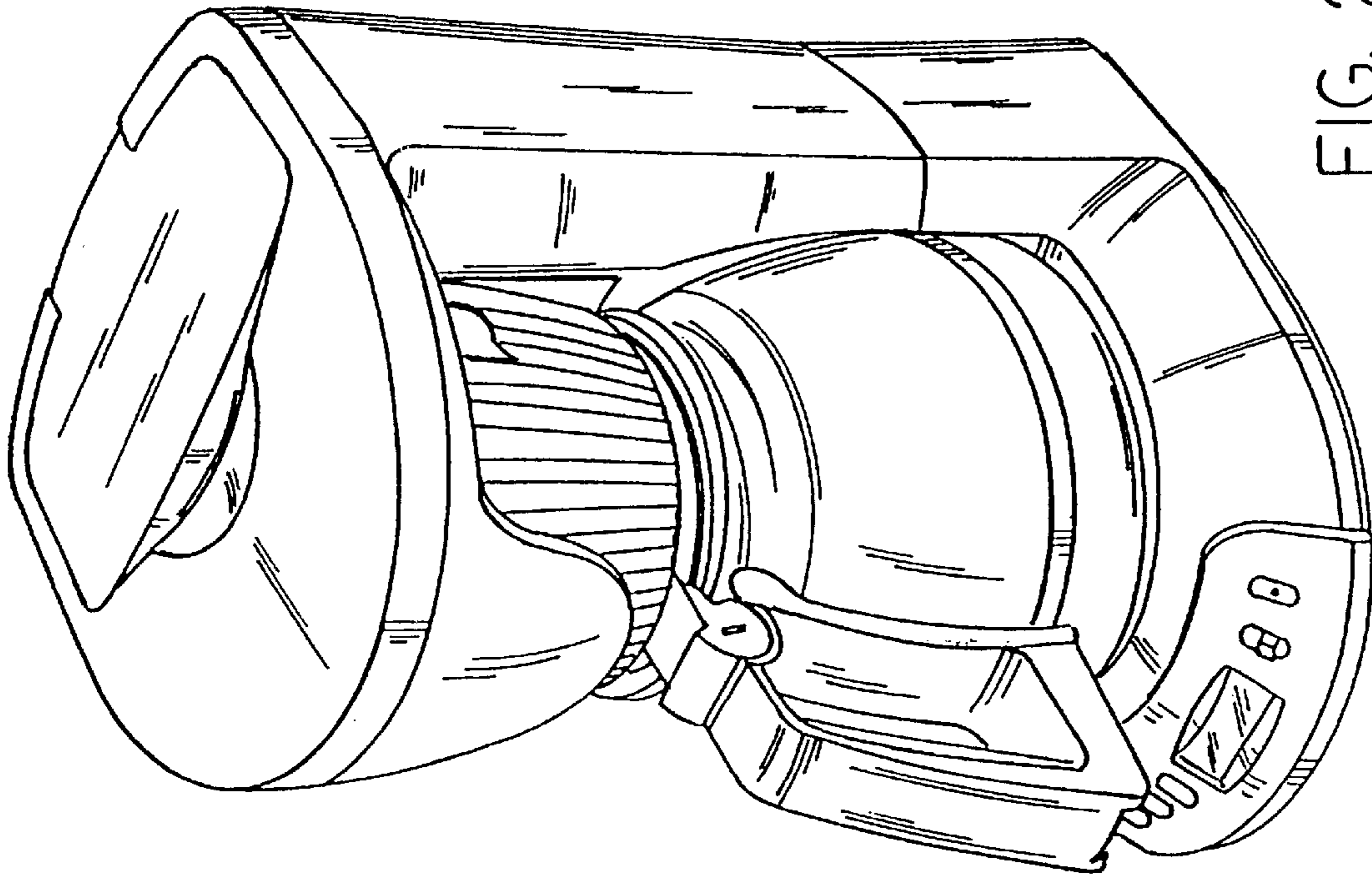


FIG. 2

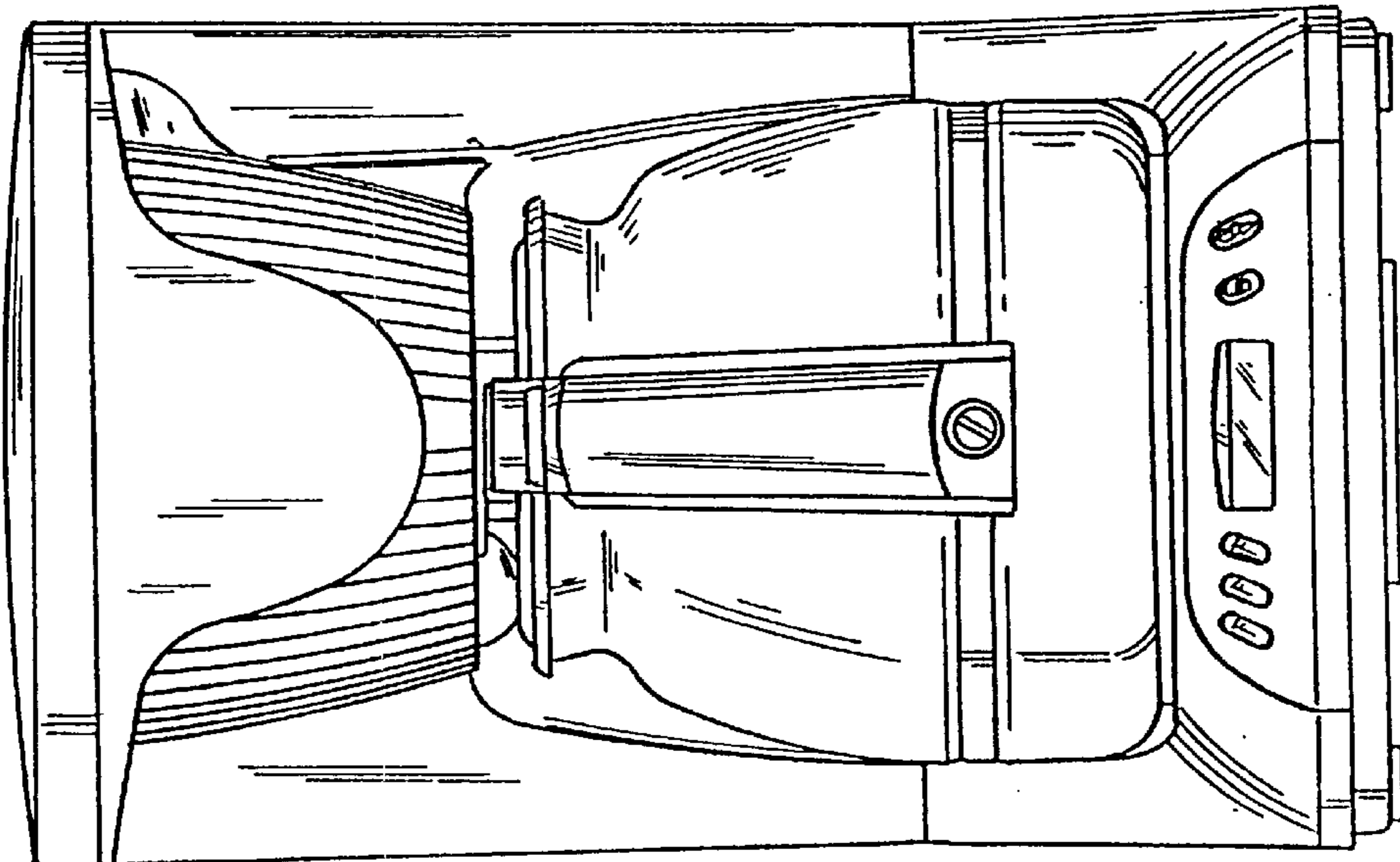


FIG. 1

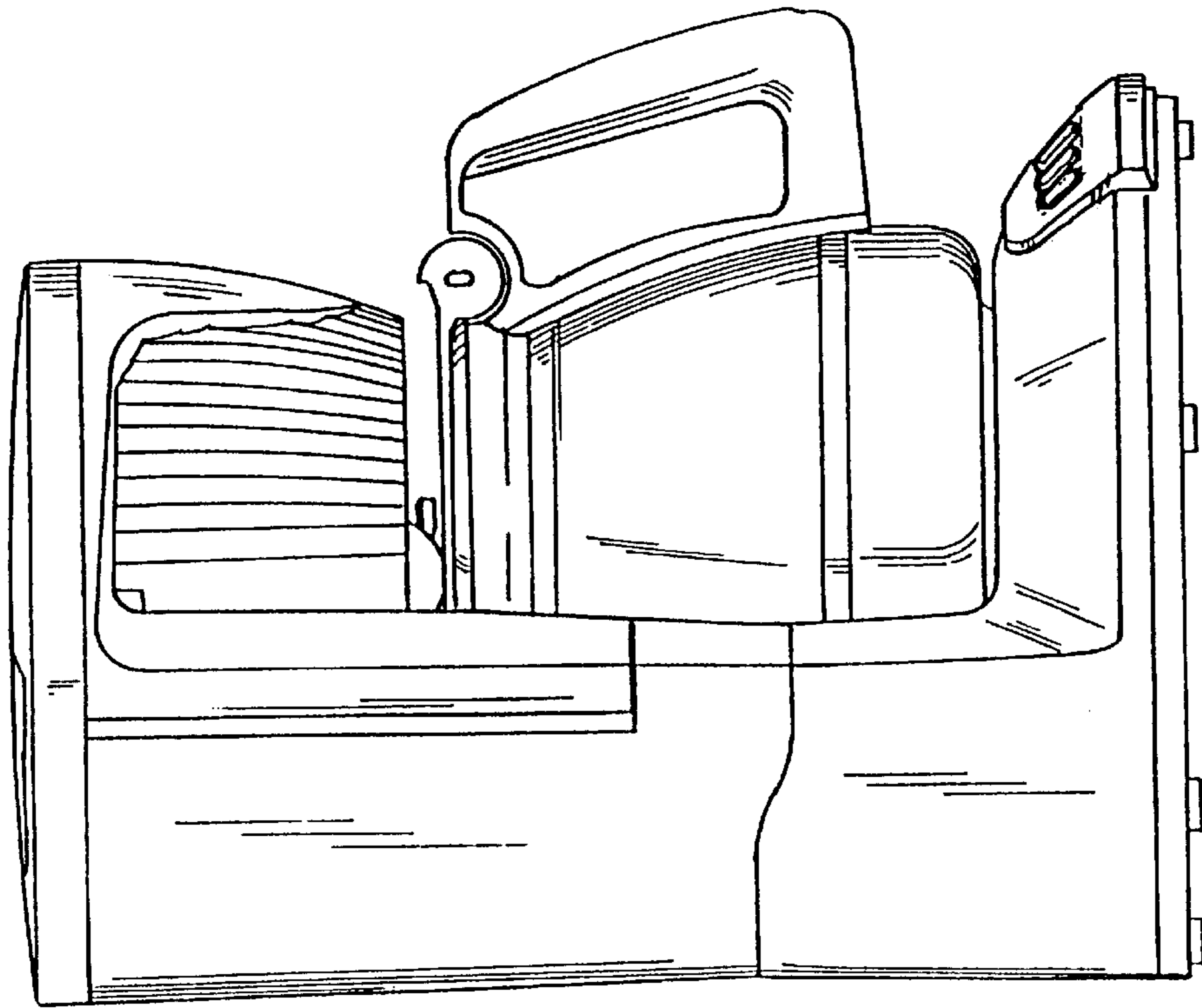


FIG. 4

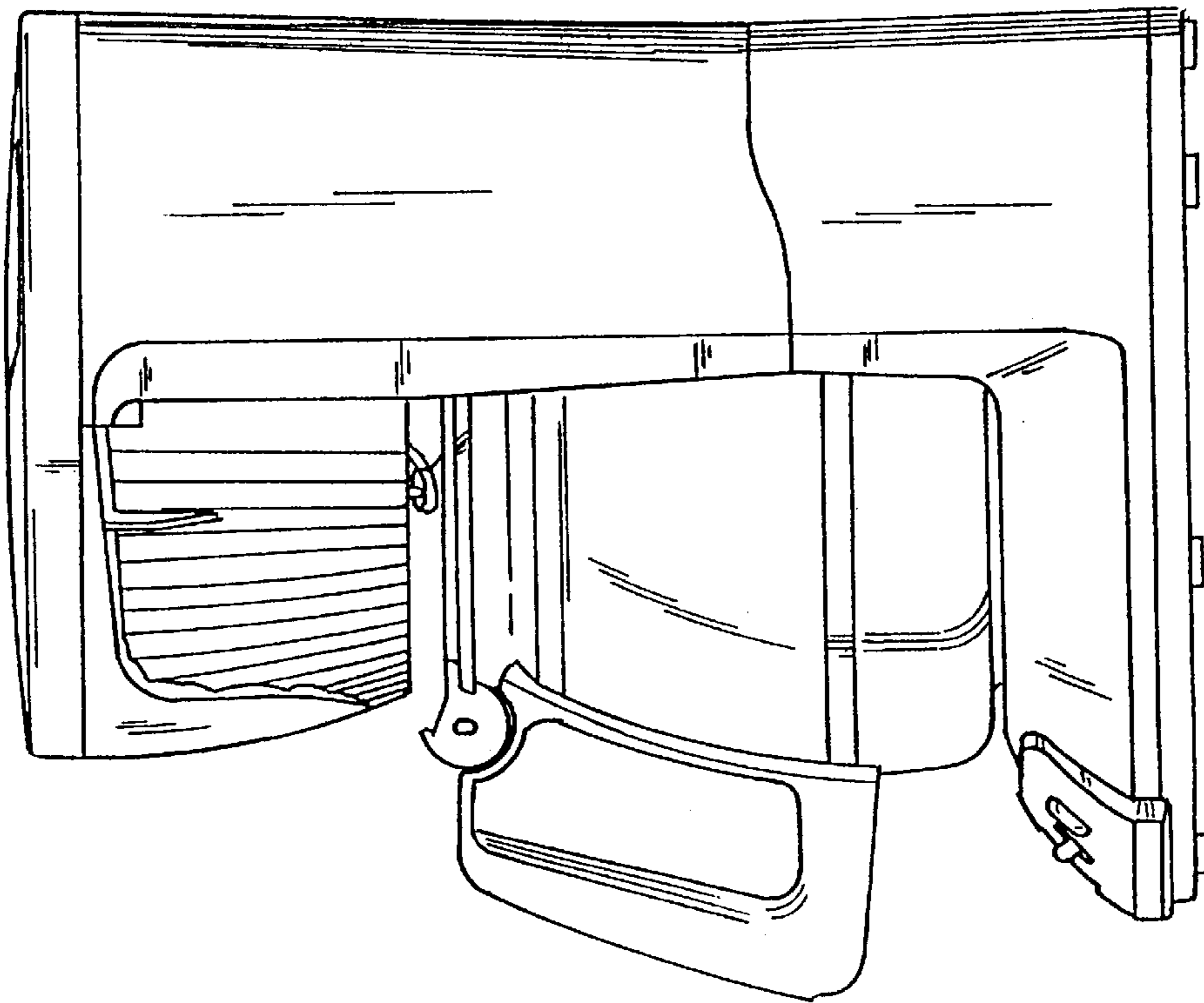


FIG. 3

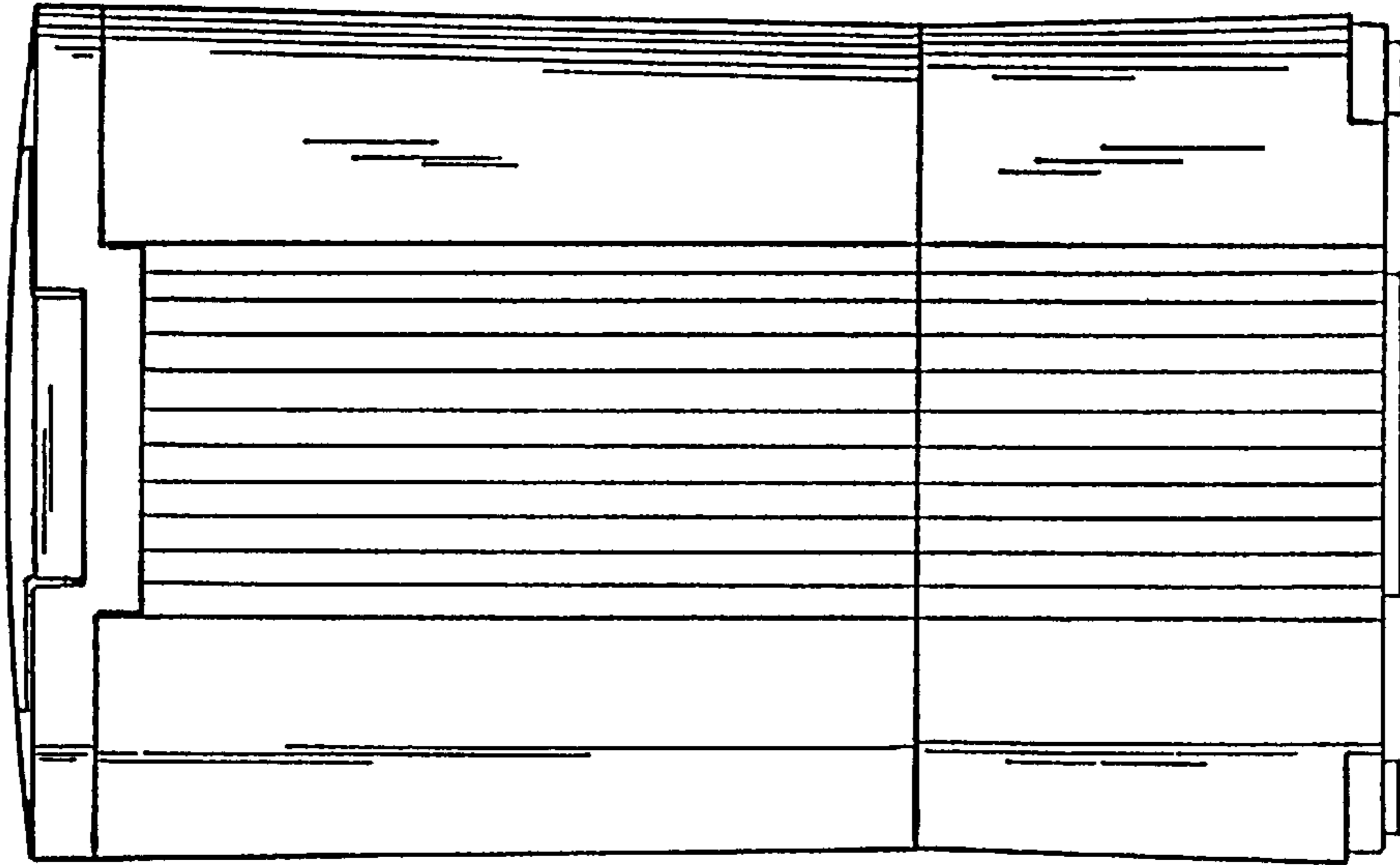


FIG. 6

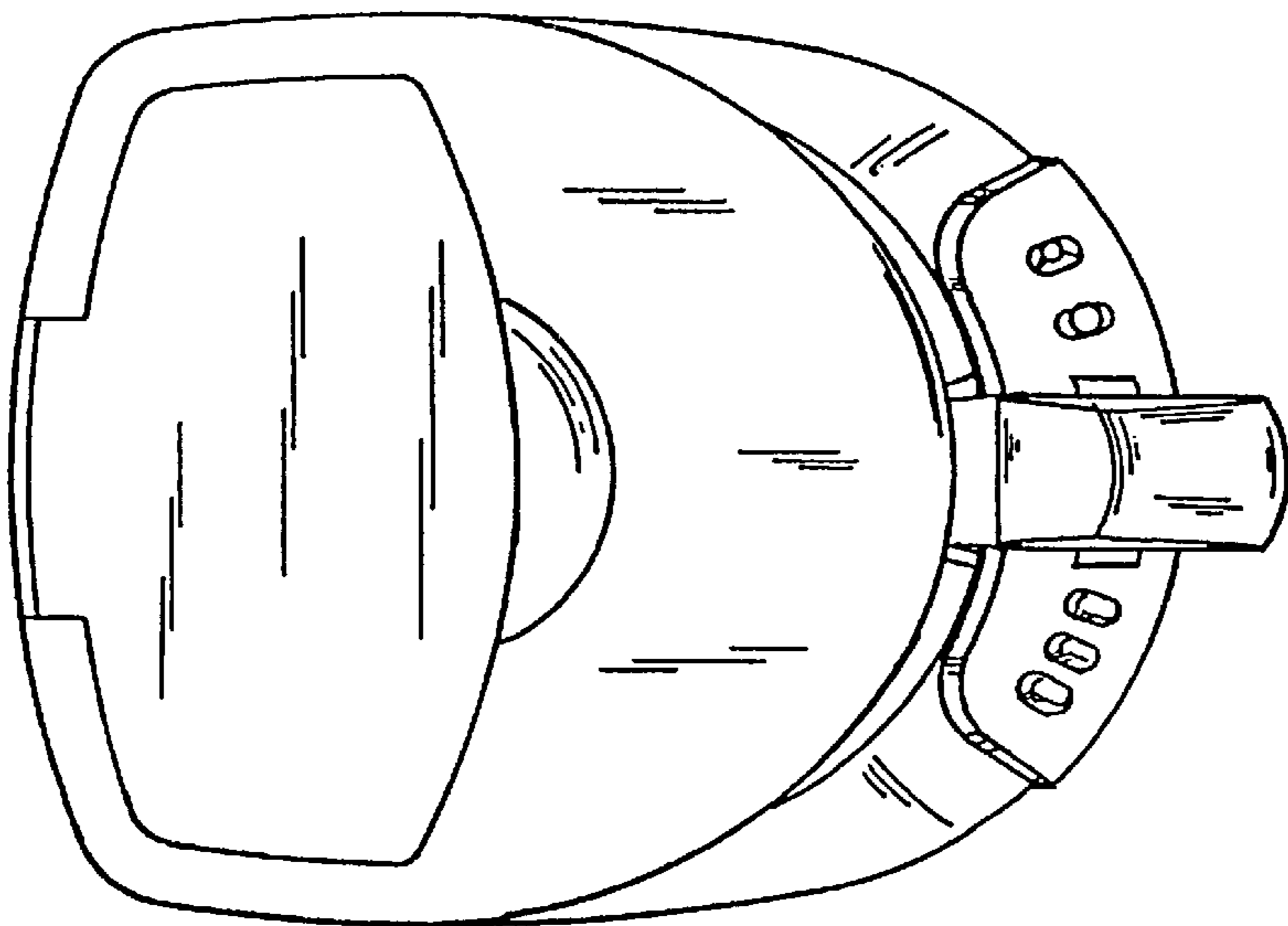


FIG. 5